



► U 87 Ai



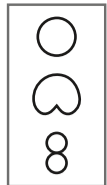
Quick Guide
 Kurzanleitung
 Guide rapide
 Guida rapida
 Guía de inicio rápido
 Pikaohje
 Γρήγορος οδηγός
 Kısa Kılavuz
 Краткая инструкция

Guia rápido
 Beknopte handleiding
 Krótka instrukcja obsługi
 Snabbguide
 Kort vejledning
 快速指南
 クイックガイド
 퀵 가이드

GEORG NEUMANN GMBH · LEIPZIGER STR. 112 · 10117 BERLIN · GERMANY
 TEL +49 (0)30 / 41 77 24 -0 · FAX -50
 HEADOFFICE@NEUMANN.COM · WWW.NEUMANN.COM

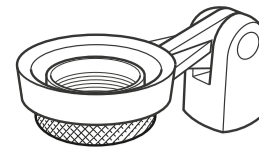
PUBL. 06/18 · 575877/A01

U 87 Ai



Studio Set

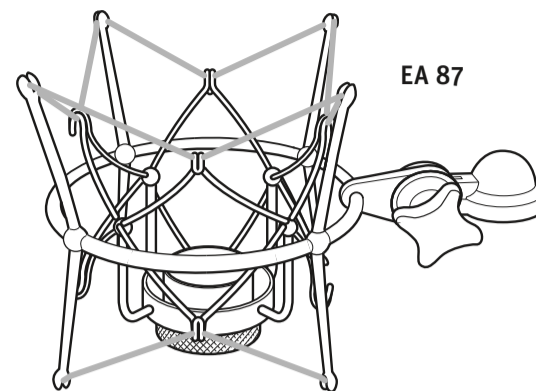
U 87 Ai



SG 287*

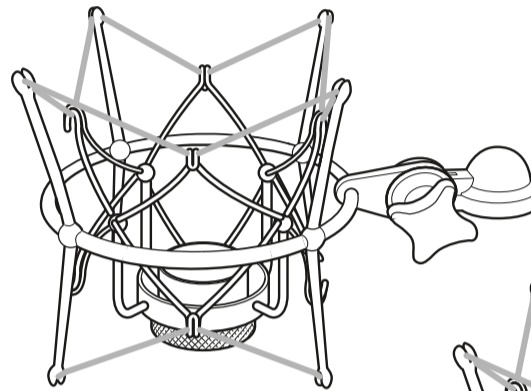
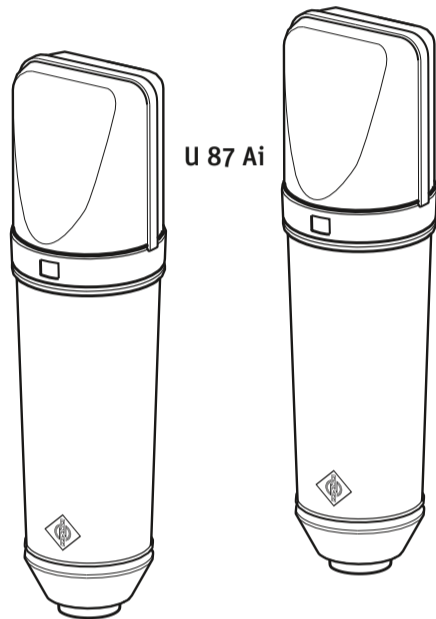
*optional accessory
 (for details on further optional accessories see www.neumann.com)

EA 87

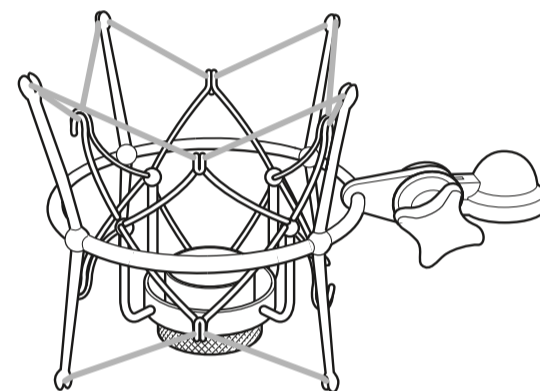


Stereo Set

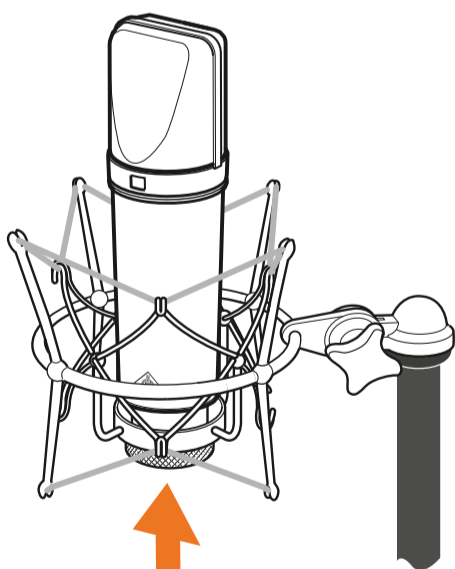
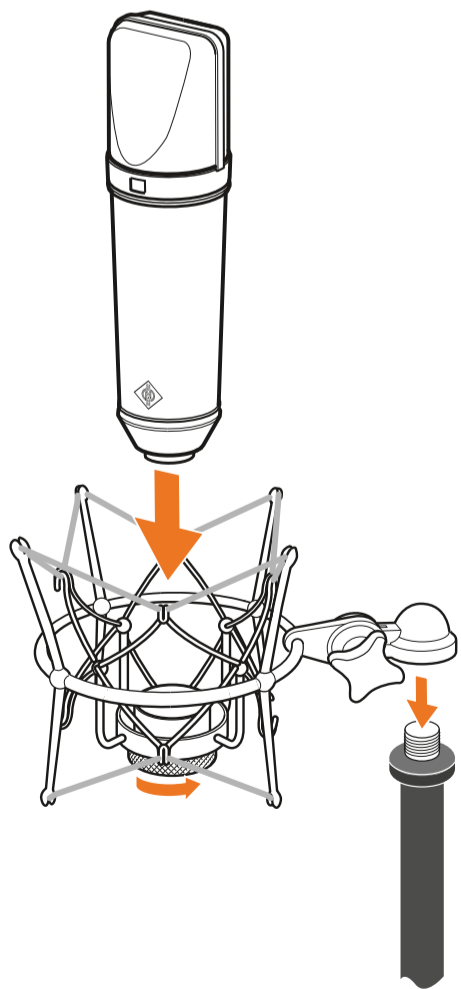
U 87 Ai



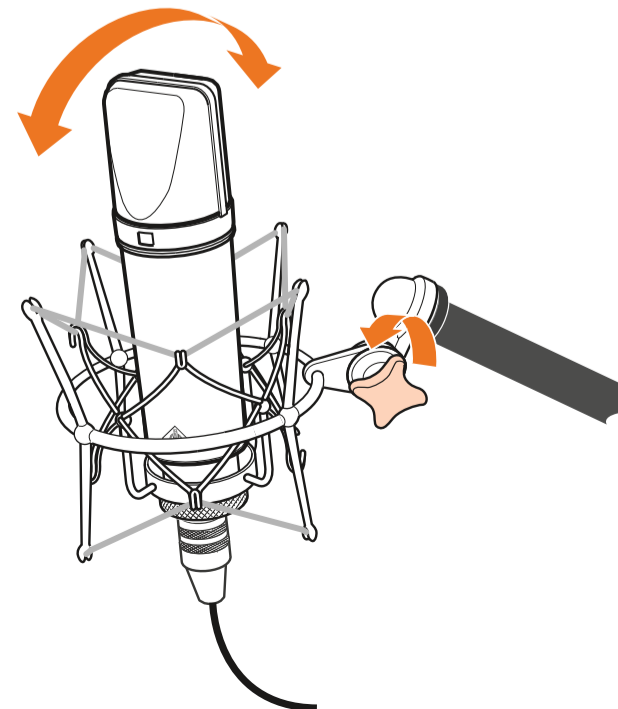
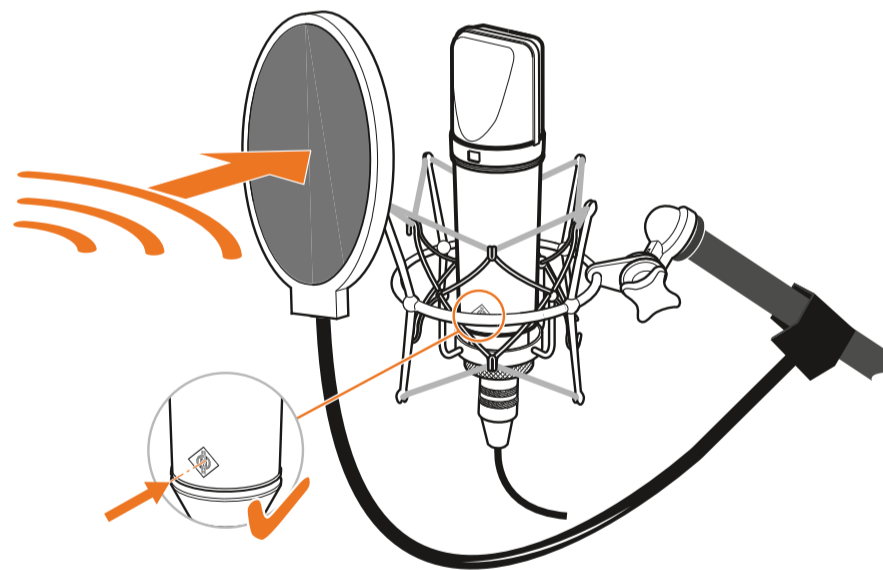
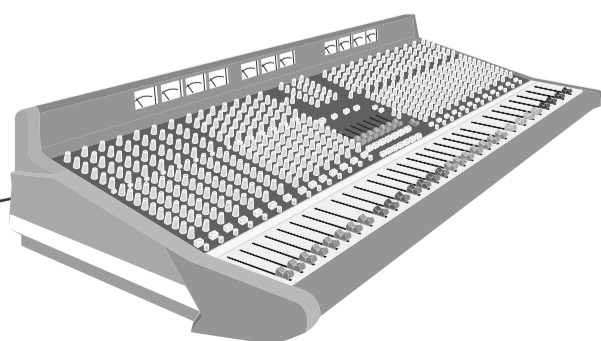
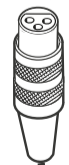
EA 87

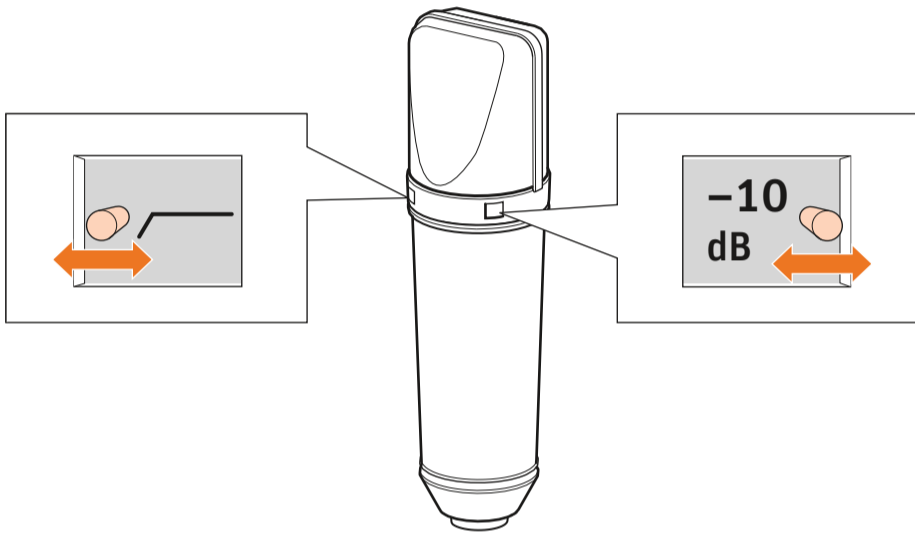
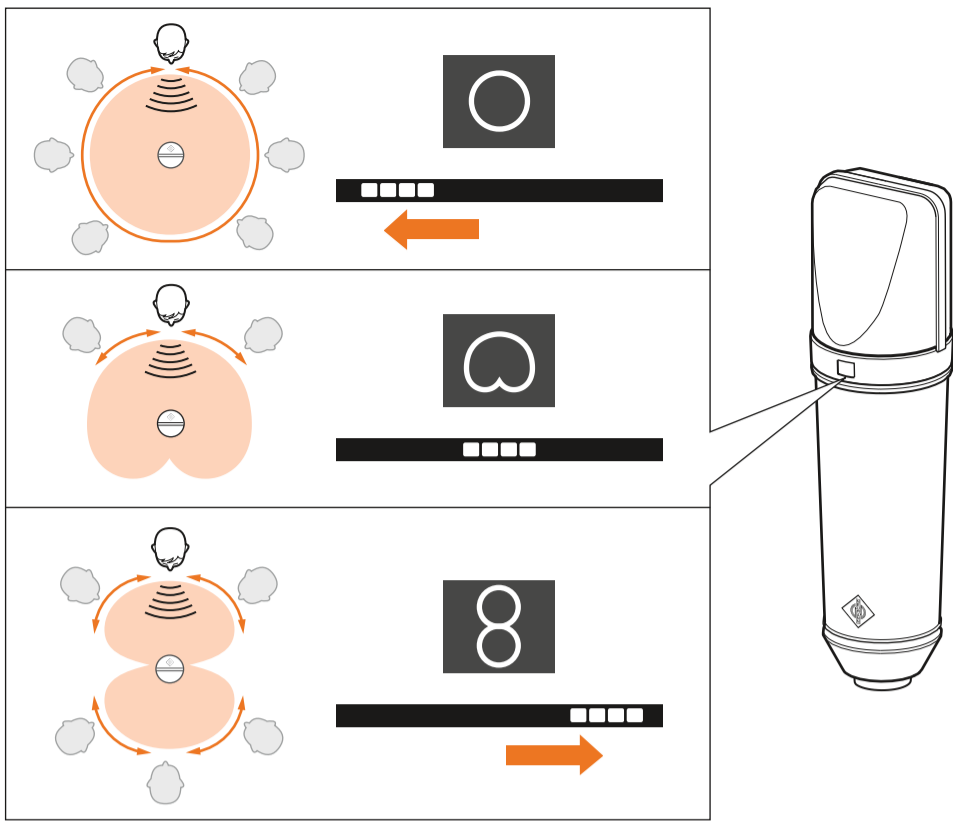


U 87 Ai & EA 87



XLR-3





Instruction manual | Bedienungsanleitung | Notice d'emploi | Istruzioni per l'uso | Instrucciones de manejo | Manual de instruções | Gebruiksaanwijzing | Instrukcja obsługi | Bruksanvisning | Betjeningsvejledning | Käyttöohje | Οδηγίες λειτουργίας | Kullanım kılavuzu | Инструкция по эксплуатации | 使用说明书 | 取扱説明書 | 사용 설명서 |

www.neumann.com | U 87 Ai

Specifications

| | |
|--|---|
| Acoustic operating principle | Pressure gradient transducer |
| Directional pattern | Omnidirectional/cardioid/figure-8 |
| Frequency range | 20 Hz - 20 kHz |
| Sensitivity at 1 kHz into 1 kΩ | 20/28/22 mV/Pa \cong -34/-31/-33 dBV \pm 1 dB |
| Rated impedance | 200 Ω |
| Rated load impedance | 1000 Ω |
| Signal-to-noise ratio, CCIR ¹⁾ (rel. 94 dB SPL) | 68/71/69 dB |
| Signal-to-noise ratio, A-weighted ¹⁾ (rel. 94 dB SPL) | 79/82/80 dB |
| Equivalent noise level, CCIR ¹⁾ | 26/23/25 dB |
| Equivalent noise level, A-weighted ¹⁾ | 15/12/14 dB-A |
| Maximum SPL for THD \leq 0.5% ²⁾ | 117 dB (cardioid) |
| Maximum output voltage | -6 dBu |
| Supply voltage (P48, IEC 61938) | 48 V \pm 4 V |
| Current consumption (P48, IEC 61938) | 0.8 mA |
| Matching connector | XLR3F |
| Weight | 500 g |
| Dimensions (diameter / length) | \varnothing 56 mm / 200 mm |
| Operating temperature range | 0 °C - +70 °C (32 °F - 158 °F) |
| Storage temperature range | -20 °C - +70 °C (-4 °F - 158 °F) |
| Humidity range | max. 90 % at +20 °C |

¹⁾ according to IEC 60268-1; CCIR-weighting according to CCIR 468-3, quasi peak; A-weighting according to IEC 61672-1, RMS
²⁾ measured as equivalent el. input signal

