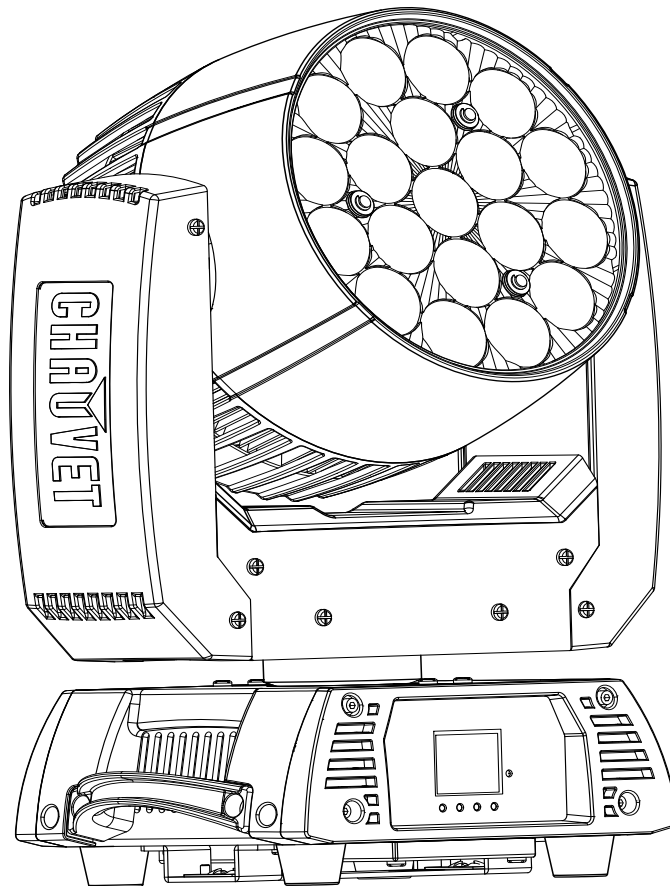


ROGUE



Quick Reference Guide

English	EN
Español	ES
Français	FR
Deutsch	DE
Nederlands	NL



About This Guide

The Rogue R2X Wash Quick Reference Guide (QRG) has basic product information such as connection, mounting, menu options, and DMX values. Download the User Manual from www.chauvetprofessional.com for more details.

Disclaimer

The information and specifications contained in this QRG are subject to change without notice.

LIMITED WARRANTY

FOR WARRANTY REGISTRATION AND COMPLETE TERMS AND CONDITIONS PLEASE VISIT OUR WEBSITE.

For Customers in the United States and Mexico: www.chauvetlighting.com/warranty-registration.

For Customers in the United Kingdom, Republic of Ireland, Belgium, the Netherlands, Luxembourg, France, and Germany: www.chauvetlighting.eu/warranty-registration.

Chauvet warrants that this product shall be free from defects in material and workmanship under normal use, for the period specified in, and subject to the exclusions and limitations set forth in the full limited warranty on our website. This warranty extends only to the original purchaser of the product and is not transferable. To exercise rights under this warranty, you must provide proof of purchase in the form of an original sales receipt from an authorized dealer that shows the product name and date of purchase. THERE ARE NO OTHER EXPRESS OR IMPLIED WARRANTIES. This warranty gives you specific legal rights. You may also have other rights that vary from state to state and country to country. This warranty is valid only in the United States, United Kingdom, Republic of Ireland, Belgium, the Netherlands, Luxembourg, France, Germany and Mexico. For warranty terms in other countries, please consult your local distributor.

Safety Notes

These Safety Notes include important information about installation, use, and maintenance.

- DO NOT open this product. It contains no user-serviceable parts.
- DO NOT look at the light source when the product is on.
- To eliminate unnecessary wear and improve its lifespan, during periods of non-use completely disconnect the product from power via breaker or by unplugging it.
- CAUTION: When transferring product from extreme temperature environments, (e.g. cold truck to warm humid ballroom) condensation may form on the internal electronics of the product. To avoid causing a failure, allow product to fully acclimate to the surrounding environment before connecting it to power.
- CAUTION: This product's housing may be hot when lights are operating.
- Mount this product in a location with adequate ventilation, at least 20 in (50 cm) from adjacent surfaces.
- DO NOT leave any flammable material within 50 cm of this product while operating or connected to power.
- USE a safety cable when mounting this product overhead.
- DO NOT operate this product outdoors or in any location where dust, excessive heat, water, or humidity may affect it. (IP20)
- DO NOT operate this product if the housing, lenses, or cables appear damaged.
- DO NOT connect this product to a dimmer or rheostat.
- ONLY connect this product to a grounded and protected circuit.
- ONLY use the hanging/mounting bracket or the handles to carry this product.
- In the event of a serious operating problem, stop using immediately.
- The maximum ambient temperature is 113 °F (45 °C). Do not operate this product at higher temperatures.

FCC Compliance

This device complies with Part 15 Part B of the FCC Rules. Operation is subject to the following two conditions:

1. This device may not cause harmful interference, and
2. This device must accept any interference received, including interference that may cause undesired operation.

Any changes or modifications not expressly approved by the party responsible for compliance could void the user's authority to operate the equipment.

Contact

Outside the US, United Kingdom, Ireland, Benelux, France, Germany, or Mexico, contact your distributor to request support or return a product. Refer to [Contact Us](#) at the end of this QRG for contact information.

What is Included

- Rogue R2X Wash
- Neutrik® powerCON® power cord
- Omega Bracket
- Quick Reference Guide

AC Power

This product has an auto-ranging power supply that can work with an input voltage range of 100–240 VAC, 50/60 Hz.

Power Linking

You can link up to 4 Rogue R2X Wash products at 120 V, 8 products at 208 V, or 9 products at 230 V. Never exceed this number. Power linking cords can be purchased separately.

AC Plug

Connection	Wire (U.S.)	Wire (Europe)	Screw Color
AC Live	Black	Brown	Yellow/Brass
AC Neutral	White	Blue	Silver
AC Ground	Green/Yellow	Green/Yellow	Green



To eliminate unnecessary wear and improve its lifespan, during periods of non-use completely disconnect the product from power via breaker or by unplugging it.

Replacing the Fuse

1. Disconnect the product from power.
2. Using a flat head screwdriver, unscrew the fuse holder cap from the housing.
3. Remove blown fuse and replace with a good fuse of the same type and rating.
4. Screw the fuse holder cap back in place and reconnect power.

DMX Linking

The Rogue R2X Wash will work with a DMX controller using a 3- or 5-pin DMX serial connection. A DMX Primer is available from www.chauvetprofessional.com.

DMX Connection

The Rogue R2X Wash uses a 3- or 5-pin DMX data connection for its DMX personalities: **15CH, 17CH, 22CH, 33CH, 33CH MS, 54CH, 54CH MS** and **56CH**. See the User Manual for information about connecting and configuring the product for DMX operation.

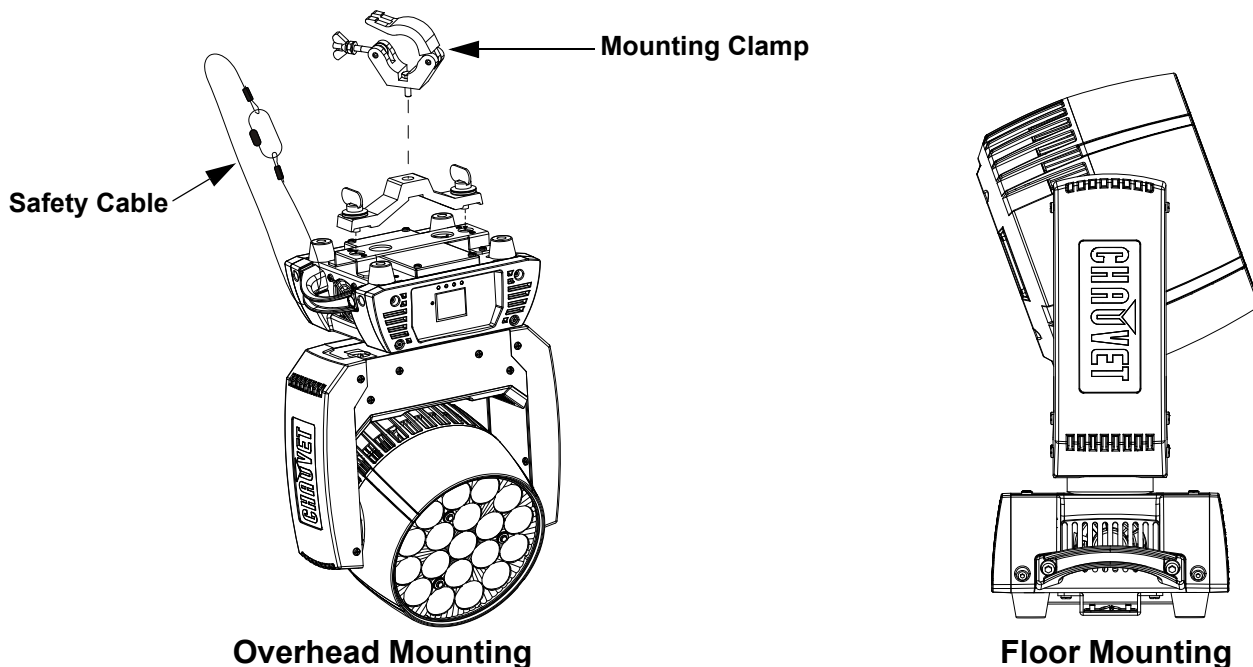
RDM (Remote Device Management)

Remote Device Management, or RDM, is a standard for allowing DMX-enabled devices to communicate bi-directionally along existing DMX cabling. Check the DMX controller's User Manual or with the manufacturer as not all DMX controllers have this capability. The Rogue R2X Wash supports RDM protocol that allows feedback to make changes to menu map options. Download the User Manual from www.chauvetprofessional.com for more details.

Mounting

Before mounting this product, read the [Safety Notes](#). Use at least one mounting point per product. Make sure the mounting clamps are capable of supporting the weight of the product. For our Chauvet line of mounting clamps, go to <http://trusst.com/productcategory/truss-clamps/>.

Mounting Diagram



When using only one mounting clamp, be sure to use a clamp with a captive bolt to prevent accidental loosening.

EN

Control Panel Description

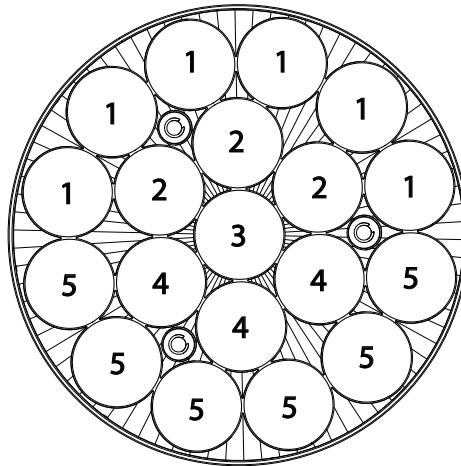
Button	Function
<MENU>	Exits from the current menu or function
<ENTER>	Enables the currently displayed menu or sets the currently selected value into the selected function
<UP>	Navigates upwards through the menu list and increases the numeric value when in a function
<DOWN>	Navigates downwards through the menu list and decreases the numeric value when in a function

Menu Map

Main Level	Programming Levels		Description
Address	001–512		Sets the starting address
Run Mode	DMX	15CH	Selects the DMX personality
		17CH	
		22CH	
		33CH	
		33CH MS	
		54CH	
		54CH MS	
		56CH	
	Auto Test		Auto test all functions
	Manual Test	Pan	000–255
Tilt			
Dimmer			
Shutter			
Red 1			
Green 1			
Blue 1			
White 1			
Red 2			
Green 2			
Blue 2			
White 2			
Red 3			
Green 3			
Blue 3			
White 3			
Red 4			
Green 4			
Blue 4			
White 4			
Red 5			
Green 5			
Blue 5			
White 5			
Zoom			

Main Level	Programming Levels			Description
Setup	Pan Reverse	OFF		Normal pan
		ON		Reversed pan
	Tilt Reverse	OFF		Normal tilt
		ON		Reversed tilt
	Pan Angle	540		540° pan range
		360		360° pan range
		180		180° pan range
	Tilt Angle	230		230° tilt range
		180		180° tilt range
		90		90° tilt range
	Fans	Auto		Fan speed according to product temperature
		ECO		Quiet mode
		Full		Fan speed set on high
	Display	OFF		Display turns off
		ON		Display stays on
	Screen Rev	OFF		Normal display
		ON		Inverted display
	Dimmer Curve	Linear		Set the dimmer curve
		Square		
		I Squa		
SCurve				
Dimmer Speed	Smooth		Smooth dimmer speed	
	Fast		Fast dimmer speed	
LED R POWER	050–100		Sets red LED power	
LED G POWER	050–100		Sets green LED power	
LED B POWER	050–100		Sets blue LED power	
LED W POWER	050–100		Sets white LED power	
Color Calibration	On		Uses factory default white setting	
	Off		Uses maximum output values	
	Custom	RED	100–255	Sets red LED maximum value
		GREEN		Sets green LED maximum value
		BLUE		Sets blue LED maximum value
Reset Function	Pan/Tilt	NO		Reset individual functions or all functions from start-up
		YES		
	Zoom	NO		
		YES		
	All	NO		
		YES		
Factory Set				Reset to factory default settings
Sys Info	System Information	Ver	V_	Shows firmware version
		Running Mode	---	Shows current running mode
		DMX Address	---	Shows current starting address
		Temperature	---	Shows current product temperature in °C
		Fixture Time	-----	Shows number of hours product has been powered on

Rogue R2X Wash Zones for DMX Control



DMX Values
56CH

Channel	Function	Value	Percent/Setting
1	Pan	000 ⇔ 255	0–100%
2	Fine Pan	000 ⇔ 255	Fine control (16-bit)
3	Tilt	000 ⇔ 255	0–100%
4	Fine Tilt	000 ⇔ 255	Fine control (16-bit)
5	Pan/Tilt Speed	000 ⇔ 255	Fast to slow
6	Dimmer	000 ⇔ 255	0–100%
7	Fine Dimmer	000 ⇔ 255	Fine control (16-bit)
8	Strobe	000 ⇔ 019	Off
		020 ⇔ 024	On
		025 ⇔ 064	Strobe, fast to slow
		065 ⇔ 069	On
		070 ⇔ 084	Fast on, slow off (fast to slow)
		085 ⇔ 089	On
		090 ⇔ 104	Slow on, fast off (fast to slow)
		105 ⇔ 109	On
		110 ⇔ 124	Random strobe, fast to slow
		125 ⇔ 129	On
		130 ⇔ 144	Random fast on, slow off (fast to slow)
		145 ⇔ 149	On
		150 ⇔ 164	Random slow on, fast off (fast to slow)
		165 ⇔ 169	On
		170 ⇔ 184	Pulse strobe, fast to slow
		184 ⇔ 189	On
190 ⇔ 204	Random pulse strobe, fast to slow		
205 ⇔ 209	On		
210 ⇔ 224	Slow on, slow off (fast to slow)		
225 ⇔ 229	On		
230 ⇔ 244	Pulse strobe, fast to slow		
245 ⇔ 255	On		
9	Red 1	000 ⇔ 255	0–100%
10	Fine Red 1	000 ⇔ 255	Fine control (16-bit)
11	Green 1	000 ⇔ 255	0–100%
12	Fine Green 1	000 ⇔ 255	Fine control (16-bit)
13	Blue 1	000 ⇔ 255	0–100%

Channel	Function	Value	Percent/Setting
14	Fine Blue 1	000 ⇔ 255	Fine control (16-bit)
15	White 1	000 ⇔ 255	0–100%
16	Fine White 1	000 ⇔ 255	Fine control (16-bit)
17	Red 2	000 ⇔ 255	0–100%
18	Fine Red 2	000 ⇔ 255	Fine control (16-bit)
19	Green 2	000 ⇔ 255	0–100%
20	Fine Green 2	000 ⇔ 255	Fine control (16-bit)
21	Blue 2	000 ⇔ 255	0–100%
22	Fine Blue 2	000 ⇔ 255	Fine control (16-bit)
23	White 2	000 ⇔ 255	0–100%
24	Fine White 2	000 ⇔ 255	Fine control (16-bit)
25	Red 3	000 ⇔ 255	0–100%
26	Fine Red 3	000 ⇔ 255	Fine control (16-bit)
27	Green 3	000 ⇔ 255	0–100%
28	Fine Green 3	000 ⇔ 255	Fine control (16-bit)
29	Blue 3	000 ⇔ 255	0–100%
30	Fine Blue 3	000 ⇔ 255	Fine control (16-bit)
31	White 3	000 ⇔ 255	0–100%
32	Fine White 3	000 ⇔ 255	Fine control (16-bit)
33	Red 4	000 ⇔ 255	0–100%
34	Fine Red 4	000 ⇔ 255	Fine control (16-bit)
35	Green 4	000 ⇔ 255	0–100%
36	Fine Green 4	000 ⇔ 255	Fine control (16-bit)
37	Blue 4	000 ⇔ 255	0–100%
38	Fine Blue 4	000 ⇔ 255	Fine control (16-bit)
39	White 4	000 ⇔ 255	0–100%
40	Fine White 4	000 ⇔ 255	Fine control (16-bit)
41	Red 5	000 ⇔ 255	0–100%
42	Fine Red 5	000 ⇔ 255	Fine control (16-bit)
43	Green 5	000 ⇔ 255	0–100%
44	Fine Green 5	000 ⇔ 255	Fine control (16-bit)
45	Blue 5	000 ⇔ 255	0–100%
46	Fine Blue 5	000 ⇔ 255	Fine control (16-bit)
47	White 5	000 ⇔ 255	0–100%
48	Fine White 5	000 ⇔ 255	Fine control (16-bit)

QUICK REFERENCE GUIDE



EN

Channel	Function	Value	Percent/Setting
49	Color	000 ⇔ 004	No function
		005 ⇔ 009	Color 1
		010 ⇔ 014	Color 2
		015 ⇔ 019	Color 3
		020 ⇔ 024	Color 4
		025 ⇔ 029	Color 5
		030 ⇔ 034	Color 6
		035 ⇔ 039	Color 7
		040 ⇔ 044	Color 8
		045 ⇔ 049	Color 9
		050 ⇔ 054	Color 10
		055 ⇔ 059	Color 11
		060 ⇔ 064	Color 12
		065 ⇔ 069	Color 13
		070 ⇔ 074	Color 14
		075 ⇔ 079	Color 15
		080 ⇔ 084	Color 16
		085 ⇔ 089	Color 17
		090 ⇔ 094	Color 18
		095 ⇔ 099	Color 19
		100 ⇔ 104	Color 20
		105 ⇔ 109	Color 21
		110 ⇔ 114	Color 22
		115 ⇔ 119	Color 23
		120 ⇔ 124	Color 24
		125 ⇔ 129	Color 25
		130 ⇔ 134	Color 26
		135 ⇔ 139	Color 27
		140 ⇔ 144	Color 28
		145 ⇔ 149	Color 29
		150 ⇔ 154	Color 30
		155 ⇔ 159	Color 31
		160 ⇔ 164	Color 32
		165 ⇔ 169	Color 33
170 ⇔ 174	Color 34		
175 ⇔ 179	No function		
180 ⇔ 201	Color scroll, fast to slow		
202 ⇔ 207	Hold		
208 ⇔ 229	Reverse color scroll, fast to slow		
230 ⇔ 234	No function		
235 ⇔ 249	Color snap, fast to slow		
250 ⇔ 255	No function		

Channel	Function	Value	Percent/Setting
50	Zone Selection	000 ⇔ 007	Zone 1, 2, 3, 4, 5
		008 ⇔ 015	Zone 2, 3, 4, 5
		016 ⇔ 023	Zone 3, 4, 5
		024 ⇔ 031	Zone 4, 5
		032 ⇔ 039	Zone 5
		040 ⇔ 047	No function
		048 ⇔ 055	Zone 1
		056 ⇔ 063	Zone 1, 2
		064 ⇔ 071	Zone 1, 2, 3
		072 ⇔ 079	Zone 1, 2, 3, 4
		080 ⇔ 087	Zone 1, 2, 3, 4, 5
		088 ⇔ 095	Zone 1
		096 ⇔ 103	Zone 2
		104 ⇔ 111	Zone 3
		112 ⇔ 119	Zone 4
		120 ⇔ 127	Zone 5
		128 ⇔ 135	Zone 1, 2
		136 ⇔ 143	Zone 2, 3
		144 ⇔ 151	Zone 3, 4
		152 ⇔ 159	Zone 4, 5
		160 ⇔ 167	Zone 1, 5
		168 ⇔ 175	Zone 1, 2, 3
		176 ⇔ 183	Zone 2, 3, 4
		184 ⇔ 191	Zone 3, 4, 5
		192 ⇔ 199	Zone 1, 4, 5
		200 ⇔ 207	Zone 1, 2, 5
		208 ⇔ 215	Zone 1, 2, 3, 4
		216 ⇔ 223	Zone 2, 3, 4, 5
		224 ⇔ 231	Zone 1, 3, 4, 5
		232 ⇔ 239	Zone 1, 2, 4, 5
240 ⇔ 247	Zone 1, 2, 3, 5		
248 ⇔ 255	Zone 1, 2, 3, 4, 5		

QUICK REFERENCE GUIDE



EN

Channel	Function	Value	Percent/Setting
51	Programs	000 ⇔ 015	No function
		016 ⇔ 020	Ring macro 1
		021 ⇔ 025	Ring macro 2
		026 ⇔ 030	Ring macro 3
		031 ⇔ 035	Ring macro 4
		036 ⇔ 040	Ring macro 5
		041 ⇔ 045	Ring macro 6
		046 ⇔ 050	Ring macro 7
		051 ⇔ 055	Ring macro 8
		056 ⇔ 060	Ring macro 9
		061 ⇔ 065	Ring macro 10
		066 ⇔ 070	Ring macro 11
		071 ⇔ 075	Ring macro 12
		076 ⇔ 080	Ring macro 13
		081 ⇔ 085	Ring macro 14
		086 ⇔ 090	Ring macro 15
		091 ⇔ 095	Ring macro 16
		096 ⇔ 100	Ring macro 17
		101 ⇔ 105	Ring macro 18
		106 ⇔ 110	Ring macro 19
		111 ⇔ 115	Ring macro 20
		116 ⇔ 120	Ring macro 21
		121 ⇔ 125	Ring macro 22
		126 ⇔ 130	Ring macro 23
		131 ⇔ 135	Ring macro 24
		136 ⇔ 140	Color ring macro 1
		141 ⇔ 145	Color ring macro 2
		146 ⇔ 150	Color ring macro 3
		151 ⇔ 155	Color ring macro 4
		156 ⇔ 160	Color ring macro 5
		161 ⇔ 165	Color ring macro 6
		166 ⇔ 170	Color ring macro 7
		171 ⇔ 175	Color ring macro 8
		176 ⇔ 180	Color ring macro 9
		181 ⇔ 185	Color ring macro 10
		186 ⇔ 190	Color ring macro 11
		191 ⇔ 195	Color ring macro 12
		196 ⇔ 200	Color ring macro 13
		201 ⇔ 205	Color ring macro 14
		206 ⇔ 210	Color ring macro 15
		211 ⇔ 215	Color ring macro 16
		216 ⇔ 220	Color ring macro 17
		221 ⇔ 225	Color ring macro 18
		226 ⇔ 230	Color ring macro 19
231 ⇔ 235	Color ring macro 20		
236 ⇔ 240	Color ring macro 21		
241 ⇔ 245	Color ring macro 22		
246 ⇔ 250	Color ring macro 23		
251 ⇔ 255	Color ring macro 24		
52	Auto Speed	000 ⇔ 255	0–100%

Channel	Function	Value	Percent/Setting
53	Movement Macros	000 ⇔ 007	No function
		008 ⇔ 023	Movement macro 1
		024 ⇔ 039	Movement macro 2
		040 ⇔ 055	Movement macro 3
		056 ⇔ 071	Movement macro 4
		072 ⇔ 087	Movement macro 5
		088 ⇔ 103	Movement macro 6
		104 ⇔ 119	Movement macro 7
		120 ⇔ 135	Movement macro 8
		136 ⇔ 151	Movement macro 9
		152 ⇔ 167	Movement macro 10
		168 ⇔ 183	Movement macro 11
		184 ⇔ 199	Movement macro 12
		200 ⇔ 215	Movement macro 13
		216 ⇔ 231	Movement macro 14
		232 ⇔ 247	Movement macro 15
248 ⇔ 255	Movement macro 16		
54	Movement Macro Speed	000 ⇔ 255	Movement macro speed, fast to slow
55	Zoom	000 ⇔ 255	0–100%
56	Control (5 second activation delay)	000 ⇔ 009	No function
		010 ⇔ 014	Blackout during pan/tilt
		015 ⇔ 049	No function
		050 ⇔ 054	Pan reset
		055 ⇔ 059	Tilt reset
		060 ⇔ 064	Zoom reset
		065 ⇔ 069	No function
		070 ⇔ 074	Reset all
		075 ⇔ 079	No function
		080 ⇔ 084	Reverse pan and tilt movement
		085 ⇔ 089	Reverse pan movement
		090 ⇔ 094	Reverse tilt movement
		095 ⇔ 099	Normal pan movement
		100 ⇔ 104	Normal tilt movement
		105 ⇔ 109	Normal pan and tilt movement
		110 ⇔ 119	No function
		120 ⇔ 124	Fan ECO mode
		125 ⇔ 129	Fan full speed
		130 ⇔ 134	Fan auto mode
		135 ⇔ 139	Fast dimmer curve
140 ⇔ 144	Smooth dimmer curve		
145 ⇔ 255	No function		

54CH

Channel	Function	Value	Percent/Setting
1	Pan	000 ⇔ 255	0–100%
2	Fine Pan	000 ⇔ 255	Fine control (16-bit)
3	Tilt	000 ⇔ 255	0–100%
4	Fine Tilt	000 ⇔ 255	Fine control (16-bit)
5	Pan/Tilt Speed	000 ⇔ 255	Fast to slow
6	Dimmer	000 ⇔ 255	0–100%
7	Fine Dimmer	000 ⇔ 255	Fine control (16-bit)

QUICK REFERENCE GUIDE



EN

Channel	Function	Value	Percent/Setting
8	Strobe	000 ⇔ 019	Off
		020 ⇔ 024	On
		025 ⇔ 064	Strobe, fast to slow
		065 ⇔ 069	On
		070 ⇔ 084	Fast on, slow off (fast to slow)
		085 ⇔ 089	On
		090 ⇔ 104	Slow on, fast off (fast to slow)
		105 ⇔ 109	On
		110 ⇔ 124	Random strobe, fast to slow
		125 ⇔ 129	On
		130 ⇔ 144	Random fast on, slow off (fast to slow)
		145 ⇔ 149	On
		150 ⇔ 164	Random slow on, fast off (fast to slow)
		165 ⇔ 169	On
		170 ⇔ 184	Pulse strobe, fast to slow
		184 ⇔ 189	On
		190 ⇔ 204	Random pulse strobe, fast to slow
		205 ⇔ 209	On
210 ⇔ 224	Slow on, slow off (fast to slow)		
225 ⇔ 229	On		
230 ⇔ 244	Pulse strobe, fast to slow		
245 ⇔ 255	On		
9	Red 1	000 ⇔ 255	0–100%
10	Fine Red 1	000 ⇔ 255	Fine control (16-bit)
11	Green 1	000 ⇔ 255	0–100%
12	Fine Green 1	000 ⇔ 255	Fine control (16-bit)
13	Blue 1	000 ⇔ 255	0–100%
14	Fine Blue 1	000 ⇔ 255	Fine control (16-bit)
15	White 1	000 ⇔ 255	0–100%
16	Fine White 1	000 ⇔ 255	Fine control (16-bit)
17	Red 2	000 ⇔ 255	0–100%
18	Fine Red 2	000 ⇔ 255	Fine control (16-bit)
19	Green 2	000 ⇔ 255	0–100%
20	Fine Green 2	000 ⇔ 255	Fine control (16-bit)
21	Blue 2	000 ⇔ 255	0–100%
22	Fine Blue 2	000 ⇔ 255	Fine control (16-bit)
23	White 2	000 ⇔ 255	0–100%
24	Fine White 2	000 ⇔ 255	Fine control (16-bit)
25	Red 3	000 ⇔ 255	0–100%
26	Fine Red 3	000 ⇔ 255	Fine control (16-bit)
27	Green 3	000 ⇔ 255	0–100%
28	Fine Green 3	000 ⇔ 255	Fine control (16-bit)
29	Blue 3	000 ⇔ 255	0–100%
30	Fine Blue 3	000 ⇔ 255	Fine control (16-bit)
31	White 3	000 ⇔ 255	0–100%
32	Fine White 3	000 ⇔ 255	Fine control (16-bit)
33	Red 4	000 ⇔ 255	0–100%
34	Fine Red 4	000 ⇔ 255	Fine control (16-bit)
35	Green 4	000 ⇔ 255	0–100%
36	Fine Green 4	000 ⇔ 255	Fine control (16-bit)
37	Blue 4	000 ⇔ 255	0–100%
38	Fine Blue 4	000 ⇔ 255	Fine control (16-bit)
39	White 4	000 ⇔ 255	0–100%

Channel	Function	Value	Percent/Setting
40	Fine White 4	000 ⇄ 255	Fine control (16-bit)
41	Red 5	000 ⇄ 255	0–100%
42	Fine Red 5	000 ⇄ 255	Fine control (16-bit)
43	Green 5	000 ⇄ 255	0–100%
44	Fine Green 5	000 ⇄ 255	Fine control (16-bit)
45	Blue 5	000 ⇄ 255	0–100%
46	Fine Blue 5	000 ⇄ 255	Fine control (16-bit)
47	White 5	000 ⇄ 255	0–100%
48	Fine White 5	000 ⇄ 255	Fine control (16-bit)
49	Color	000 ⇄ 004	No function
		005 ⇄ 009	Color 1
		010 ⇄ 014	Color 2
		015 ⇄ 019	Color 3
		020 ⇄ 024	Color 4
		025 ⇄ 029	Color 5
		030 ⇄ 034	Color 6
		035 ⇄ 039	Color 7
		040 ⇄ 044	Color 8
		045 ⇄ 049	Color 9
		050 ⇄ 054	Color 10
		055 ⇄ 059	Color 11
		060 ⇄ 064	Color 12
		065 ⇄ 069	Color 13
		070 ⇄ 074	Color 14
		075 ⇄ 079	Color 15
		080 ⇄ 084	Color 16
		085 ⇄ 089	Color 17
		090 ⇄ 094	Color 18
		095 ⇄ 099	Color 19
		100 ⇄ 104	Color 20
		105 ⇄ 109	Color 21
		110 ⇄ 114	Color 22
		115 ⇄ 119	Color 23
		120 ⇄ 124	Color 24
		125 ⇄ 129	Color 25
		130 ⇄ 134	Color 26
		135 ⇄ 139	Color 27
		140 ⇄ 144	Color 28
		145 ⇄ 149	Color 29
		150 ⇄ 154	Color 30
		155 ⇄ 159	Color 31
		160 ⇄ 164	Color 32
		165 ⇄ 169	Color 33
170 ⇄ 174	Color 34		
175 ⇄ 179	No function		
180 ⇄ 201	Color scroll, fast to slow		
202 ⇄ 207	Hold		
208 ⇄ 229	Reverse color scroll, fast to slow		
230 ⇄ 234	No function		
235 ⇄ 249	Color snap, fast to slow		
250 ⇄ 255	No function		

QUICK REFERENCE GUIDE



EN

Channel	Function	Value	Percent/Setting
50	Zone Selection	000 ⇔ 007	Zone 1, 2, 3, 4, 5
		008 ⇔ 015	Zone 2, 3, 4, 5
		016 ⇔ 023	Zone 3, 4, 5
		024 ⇔ 031	Zone 4, 5
		032 ⇔ 039	Zone 5
		040 ⇔ 047	No function
		048 ⇔ 055	Zone 1
		056 ⇔ 063	Zone 1, 2
		064 ⇔ 071	Zone 1, 2, 3
		072 ⇔ 079	Zone 1, 2, 3, 4
		080 ⇔ 087	Zone 1, 2, 3, 4, 5
		088 ⇔ 095	Zone 1
		096 ⇔ 103	Zone 2
		104 ⇔ 111	Zone 3
		112 ⇔ 119	Zone 4
		120 ⇔ 127	Zone 5
		128 ⇔ 135	Zone 1, 2
		136 ⇔ 143	Zone 2, 3
		144 ⇔ 151	Zone 3, 4
		152 ⇔ 159	Zone 4, 5
		160 ⇔ 167	Zone 1, 5
		168 ⇔ 175	Zone 1, 2, 3
		176 ⇔ 183	Zone 2, 3, 4
		184 ⇔ 191	Zone 3, 4, 5
		192 ⇔ 199	Zone 1, 4, 5
		200 ⇔ 207	Zone 1, 2, 5
		208 ⇔ 215	Zone 1, 2, 3, 4
		216 ⇔ 223	Zone 2, 3, 4, 5
		224 ⇔ 231	Zone 1, 3, 4, 5
		232 ⇔ 239	Zone 1, 2, 4, 5
		240 ⇔ 247	Zone 1, 2, 3, 5
		248 ⇔ 255	Zone 1, 2, 3, 4, 5

Channel	Function	Value	Percent/Setting
51	Programs	000 ⇔ 015	No function
		016 ⇔ 020	Ring macro 1
		021 ⇔ 025	Ring macro 2
		026 ⇔ 030	Ring macro 3
		031 ⇔ 035	Ring macro 4
		036 ⇔ 040	Ring macro 5
		041 ⇔ 045	Ring macro 6
		046 ⇔ 050	Ring macro 7
		051 ⇔ 055	Ring macro 8
		056 ⇔ 060	Ring macro 9
		061 ⇔ 065	Ring macro 10
		066 ⇔ 070	Ring macro 11
		071 ⇔ 075	Ring macro 12
		076 ⇔ 080	Ring macro 13
		081 ⇔ 085	Ring macro 14
		086 ⇔ 090	Ring macro 15
		091 ⇔ 095	Ring macro 16
		096 ⇔ 100	Ring macro 17
		101 ⇔ 105	Ring macro 18
		106 ⇔ 110	Ring macro 19
		111 ⇔ 115	Ring macro 20
		116 ⇔ 120	Ring macro 21
		121 ⇔ 125	Ring macro 22
		126 ⇔ 130	Ring macro 23
		131 ⇔ 135	Ring macro 24
		136 ⇔ 140	Color ring macro 1
		141 ⇔ 145	Color ring macro 2
		146 ⇔ 150	Color ring macro 3
		151 ⇔ 155	Color ring macro 4
		156 ⇔ 160	Color ring macro 5
		161 ⇔ 165	Color ring macro 6
		166 ⇔ 170	Color ring macro 7
171 ⇔ 175	Color ring macro 8		
176 ⇔ 180	Color ring macro 9		
181 ⇔ 185	Color ring macro 10		
186 ⇔ 190	Color ring macro 11		
191 ⇔ 195	Color ring macro 12		
196 ⇔ 200	Color ring macro 13		
201 ⇔ 205	Color ring macro 14		
206 ⇔ 210	Color ring macro 15		
211 ⇔ 215	Color ring macro 16		
216 ⇔ 220	Color ring macro 17		
221 ⇔ 225	Color ring macro 18		
226 ⇔ 230	Color ring macro 19		
231 ⇔ 235	Color ring macro 20		
236 ⇔ 240	Color ring macro 21		
241 ⇔ 245	Color ring macro 22		
246 ⇔ 250	Color ring macro 23		
251 ⇔ 255	Color ring macro 24		
52	Auto Speed	000 ⇔ 255	0–100%
53	Zoom	000 ⇔ 255	0–100%

QUICK REFERENCE GUIDE



EN

Channel	Function	Value	Percent/Setting
54	Control (5 second activation delay)	000 ⇔ 009	No function
		010 ⇔ 014	Blackout during pan/tilt
		015 ⇔ 049	No function
		050 ⇔ 054	Pan reset
		055 ⇔ 059	Tilt reset
		060 ⇔ 064	Zoom reset
		065 ⇔ 069	No function
		070 ⇔ 074	Reset all
		075 ⇔ 079	No function
		080 ⇔ 084	Reverse pan and tilt movement
		085 ⇔ 089	Reverse pan movement
		090 ⇔ 094	Reverse tilt movement
		095 ⇔ 099	Normal pan movement
		100 ⇔ 104	Normal tilt movement
		105 ⇔ 109	Normal pan and tilt movement
		110 ⇔ 119	No function
		120 ⇔ 124	Fan ECO mode
		125 ⇔ 129	Fan full speed
		130 ⇔ 134	Fan auto mode
		135 ⇔ 139	Fast dimmer curve
		140 ⇔ 144	Smooth dimmer curve
145 ⇔ 255	No function		

54CH MS

Channel	Function	Value	Percent/Setting
1	Pan	000 ⇔ 255	0–100%
2	Fine Pan	000 ⇔ 255	Fine control (16-bit)
3	Tilt	000 ⇔ 255	0–100%
4	Fine Tilt	000 ⇔ 255	Fine control (16-bit)
5	Pan/Tilt Speed	000 ⇔ 255	Fast to slow
6	Dimmer	000 ⇔ 255	0–100%
7	Fine Dimmer	000 ⇔ 255	Fine control (16-bit)
8	Strobe	000 ⇔ 019	Off
		020 ⇔ 024	On
		025 ⇔ 064	Strobe, fast to slow
		065 ⇔ 069	On
		070 ⇔ 084	Fast on, slow off (fast to slow)
		085 ⇔ 089	On
		090 ⇔ 104	Slow on, fast off (fast to slow)
		105 ⇔ 109	On
		110 ⇔ 124	Random strobe, fast to slow
		125 ⇔ 129	On
		130 ⇔ 144	Random fast on, slow off (fast to slow)
		145 ⇔ 149	On
		150 ⇔ 164	Random slow on, fast off (fast to slow)
		165 ⇔ 169	On
		170 ⇔ 184	Pulse strobe, fast to slow
		184 ⇔ 189	On
		190 ⇔ 204	Random pulse strobe, fast to slow
205 ⇔ 209	On		
210 ⇔ 224	Slow on, slow off (fast to slow)		
225 ⇔ 229	On		
230 ⇔ 244	Pulse strobe, fast to slow		
245 ⇔ 255	On		

QUICK REFERENCE GUIDE



EN

Channel	Function	Value	Percent/Setting
9	Color	000 ⇔ 004	No function
		005 ⇔ 009	Color 1
		010 ⇔ 014	Color 2
		015 ⇔ 019	Color 3
		020 ⇔ 024	Color 4
		025 ⇔ 029	Color 5
		030 ⇔ 034	Color 6
		035 ⇔ 039	Color 7
		040 ⇔ 044	Color 8
		045 ⇔ 049	Color 9
		050 ⇔ 054	Color 10
		055 ⇔ 059	Color 11
		060 ⇔ 064	Color 12
		065 ⇔ 069	Color 13
		070 ⇔ 074	Color 14
		075 ⇔ 079	Color 15
		080 ⇔ 084	Color 16
		085 ⇔ 089	Color 17
		090 ⇔ 094	Color 18
		095 ⇔ 099	Color 19
		100 ⇔ 104	Color 20
		105 ⇔ 109	Color 21
		110 ⇔ 114	Color 22
		115 ⇔ 119	Color 23
		120 ⇔ 124	Color 24
		125 ⇔ 129	Color 25
		130 ⇔ 134	Color 26
		135 ⇔ 139	Color 27
		140 ⇔ 144	Color 28
		145 ⇔ 149	Color 29
		150 ⇔ 154	Color 30
		155 ⇔ 159	Color 31
		160 ⇔ 164	Color 32
		165 ⇔ 169	Color 33
170 ⇔ 174	Color 34		
175 ⇔ 179	No function		
180 ⇔ 201	Color scroll, fast to slow		
202 ⇔ 207	Hold		
208 ⇔ 229	Reverse color scroll, fast to slow		
230 ⇔ 234	No function		
235 ⇔ 249	Color snap, fast to slow		
250 ⇔ 255	No function		

Channel	Function	Value	Percent/Setting
10	Zone Selection	000 ⇔ 007	Zone 1, 2, 3, 4, 5
		008 ⇔ 015	Zone 2, 3, 4, 5
		016 ⇔ 023	Zone 3, 4, 5
		024 ⇔ 031	Zone 4, 5
		032 ⇔ 039	Zone 5
		040 ⇔ 047	No function
		048 ⇔ 055	Zone 1
		056 ⇔ 063	Zone 1, 2
		064 ⇔ 071	Zone 1, 2, 3
		072 ⇔ 079	Zone 1, 2, 3, 4
		080 ⇔ 087	Zone 1, 2, 3, 4, 5
		088 ⇔ 095	Zone 1
		096 ⇔ 103	Zone 2
		104 ⇔ 111	Zone 3
		112 ⇔ 119	Zone 4
		120 ⇔ 127	Zone 5
		128 ⇔ 135	Zone 1, 2
		136 ⇔ 143	Zone 2, 3
		144 ⇔ 151	Zone 3, 4
		152 ⇔ 159	Zone 4, 5
		160 ⇔ 167	Zone 1, 5
		168 ⇔ 175	Zone 1, 2, 3
		176 ⇔ 183	Zone 2, 3, 4
		184 ⇔ 191	Zone 3, 4, 5
		192 ⇔ 199	Zone 1, 4, 5
		200 ⇔ 207	Zone 1, 2, 5
		208 ⇔ 215	Zone 1, 2, 3, 4
		216 ⇔ 223	Zone 2, 3, 4, 5
		224 ⇔ 231	Zone 1, 3, 4, 5
		232 ⇔ 239	Zone 1, 2, 4, 5
240 ⇔ 247	Zone 1, 2, 3, 5		
248 ⇔ 255	Zone 1, 2, 3, 4, 5		

QUICK REFERENCE GUIDE



EN

Channel	Function	Value	Percent/Setting
11	Programs	000 ⇔ 015	No function
		016 ⇔ 020	Ring macro 1
		021 ⇔ 025	Ring macro 2
		026 ⇔ 030	Ring macro 3
		031 ⇔ 035	Ring macro 4
		036 ⇔ 040	Ring macro 5
		041 ⇔ 045	Ring macro 6
		046 ⇔ 050	Ring macro 7
		051 ⇔ 055	Ring macro 8
		056 ⇔ 060	Ring macro 9
		061 ⇔ 065	Ring macro 10
		066 ⇔ 070	Ring macro 11
		071 ⇔ 075	Ring macro 12
		076 ⇔ 080	Ring macro 13
		081 ⇔ 085	Ring macro 14
		086 ⇔ 090	Ring macro 15
		091 ⇔ 095	Ring macro 16
		096 ⇔ 100	Ring macro 17
		101 ⇔ 105	Ring macro 18
		106 ⇔ 110	Ring macro 19
		111 ⇔ 115	Ring macro 20
		116 ⇔ 120	Ring macro 21
		121 ⇔ 125	Ring macro 22
		126 ⇔ 130	Ring macro 23
		131 ⇔ 135	Ring macro 24
		136 ⇔ 140	Color ring macro 1
		141 ⇔ 145	Color ring macro 2
		146 ⇔ 150	Color ring macro 3
		151 ⇔ 155	Color ring macro 4
		156 ⇔ 160	Color ring macro 5
		161 ⇔ 165	Color ring macro 6
		166 ⇔ 170	Color ring macro 7
		171 ⇔ 175	Color ring macro 8
		176 ⇔ 180	Color ring macro 9
		181 ⇔ 185	Color ring macro 10
		186 ⇔ 190	Color ring macro 11
		191 ⇔ 195	Color ring macro 12
		196 ⇔ 200	Color ring macro 13
		201 ⇔ 205	Color ring macro 14
		206 ⇔ 210	Color ring macro 15
		211 ⇔ 215	Color ring macro 16
		216 ⇔ 220	Color ring macro 17
		221 ⇔ 225	Color ring macro 18
		226 ⇔ 230	Color ring macro 19
231 ⇔ 235	Color ring macro 20		
236 ⇔ 240	Color ring macro 21		
241 ⇔ 245	Color ring macro 22		
246 ⇔ 250	Color ring macro 23		
251 ⇔ 255	Color ring macro 24		
12	Auto Speed	000 ⇔ 255	0–100%
13	Zoom	000 ⇔ 255	0–100%

Channel	Function	Value	Percent/Setting
14	Control (5 second activation delay)	000 ⇔ 009	No function
		010 ⇔ 014	Blackout during pan/tilt
		015 ⇔ 049	No function
		050 ⇔ 054	Pan reset
		055 ⇔ 059	Tilt reset
		060 ⇔ 064	Zoom reset
		065 ⇔ 069	No function
		070 ⇔ 074	Reset all
		075 ⇔ 079	No function
		080 ⇔ 084	Reverse pan and tilt movement
		085 ⇔ 089	Reverse pan movement
		090 ⇔ 094	Reverse tilt movement
		095 ⇔ 099	Normal pan movement
		100 ⇔ 104	Normal tilt movement
		105 ⇔ 109	Normal pan and tilt movement
		110 ⇔ 119	No function
		120 ⇔ 124	Fan ECO mode
125 ⇔ 129	Fan full speed		
130 ⇔ 134	Fan auto mode		
135 ⇔ 139	Fast dimmer curve		
140 ⇔ 144	Smooth dimmer curve		
145 ⇔ 255	No function		
15	Red 1	000 ⇔ 255	0–100%
16	Fine Red 1	000 ⇔ 255	Fine control (16-bit)
17	Green 1	000 ⇔ 255	0–100%
18	Fine Green 1	000 ⇔ 255	Fine control (16-bit)
19	Blue 1	000 ⇔ 255	0–100%
20	Fine Blue 1	000 ⇔ 255	Fine control (16-bit)
21	White 1	000 ⇔ 255	0–100%
22	Fine White 1	000 ⇔ 255	Fine control (16-bit)
23	Red 2	000 ⇔ 255	0–100%
24	Fine Red 2	000 ⇔ 255	Fine control (16-bit)
25	Green 2	000 ⇔ 255	0–100%
26	Fine Green 2	000 ⇔ 255	Fine control (16-bit)
27	Blue 2	000 ⇔ 255	0–100%
28	Fine Blue 2	000 ⇔ 255	Fine control (16-bit)
29	White 2	000 ⇔ 255	0–100%
30	Fine White 2	000 ⇔ 255	Fine control (16-bit)
31	Red 3	000 ⇔ 255	0–100%
32	Fine Red 3	000 ⇔ 255	Fine control (16-bit)
33	Green 3	000 ⇔ 255	0–100%
34	Fine Green 3	000 ⇔ 255	Fine control (16-bit)
35	Blue 3	000 ⇔ 255	0–100%
36	Fine Blue 3	000 ⇔ 255	Fine control (16-bit)
37	White 3	000 ⇔ 255	0–100%
38	Fine White 3	000 ⇔ 255	Fine control (16-bit)
39	Red 4	000 ⇔ 255	0–100%
40	Fine Red 4	000 ⇔ 255	Fine control (16-bit)
41	Green 4	000 ⇔ 255	0–100%
42	Fine Green 4	000 ⇔ 255	Fine control (16-bit)
43	Blue 4	000 ⇔ 255	0–100%
44	Fine Blue 4	000 ⇔ 255	Fine control (16-bit)
45	White 4	000 ⇔ 255	0–100%

QUICK REFERENCE GUIDE



EN

Channel	Function	Value	Percent/Setting
46	Fine White 4	000 ⇔ 255	Fine control (16-bit)
47	Red 5	000 ⇔ 255	0–100%
48	Fine Red 5	000 ⇔ 255	Fine control (16-bit)
49	Green 5	000 ⇔ 255	0–100%
50	Fine Green 5	000 ⇔ 255	Fine control (16-bit)
51	Blue 5	000 ⇔ 255	0–100%
52	Fine Blue 5	000 ⇔ 255	Fine control (16-bit)
53	White 5	000 ⇔ 255	0–100%
54	Fine White 5	000 ⇔ 255	Fine control (16-bit)

33CH

Channel	Function	Value	Percent/Setting
1	Pan	000 ⇔ 255	0–100%
2	Fine Pan	000 ⇔ 255	Fine control (16-bit)
3	Tilt	000 ⇔ 255	0–100%
4	Fine Tilt	000 ⇔ 255	Fine control (16-bit)
5	Pan/Tilt Speed	000 ⇔ 255	Fast to slow
6	Dimmer	000 ⇔ 255	0–100%
7	Strobe	000 ⇔ 019	Off
		020 ⇔ 024	On
		025 ⇔ 064	Strobe, fast to slow
		065 ⇔ 069	On
		070 ⇔ 084	Fast on, slow off (fast to slow)
		085 ⇔ 089	On
		090 ⇔ 104	Slow on, fast off (fast to slow)
		105 ⇔ 109	On
		110 ⇔ 124	Random strobe, fast to slow
		125 ⇔ 129	On
		130 ⇔ 144	Random fast on, slow off (fast to slow)
		145 ⇔ 149	On
		150 ⇔ 164	Random slow on, fast off (fast to slow)
		165 ⇔ 169	On
		170 ⇔ 184	Pulse strobe, fast to slow
		184 ⇔ 189	On
190 ⇔ 204	Random pulse strobe, fast to slow		
205 ⇔ 209	On		
210 ⇔ 224	Slow on, slow off (fast to slow)		
225 ⇔ 229	On		
230 ⇔ 244	Pulse strobe, fast to slow		
245 ⇔ 255	On		
8	Red 1	000 ⇔ 255	0–100%
9	Green 1	000 ⇔ 255	0–100%
10	Blue 1	000 ⇔ 255	0–100%
11	White 1	000 ⇔ 255	0–100%
12	Red 2	000 ⇔ 255	0–100%
13	Green 2	000 ⇔ 255	0–100%
14	Blue 2	000 ⇔ 255	0–100%
15	White 2	000 ⇔ 255	0–100%
16	Red 3	000 ⇔ 255	0–100%
17	Green 3	000 ⇔ 255	0–100%
18	Blue 3	000 ⇔ 255	0–100%
19	White 3	000 ⇔ 255	0–100%
20	Red 4	000 ⇔ 255	0–100%

Channel	Function	Value	Percent/Setting
21	Green 4	000 ⇄ 255	0–100%
22	Blue 4	000 ⇄ 255	0–100%
23	White 4	000 ⇄ 255	0–100%
24	Red 5	000 ⇄ 255	0–100%
25	Green 5	000 ⇄ 255	0–100%
26	Blue 5	000 ⇄ 255	0–100%
27	White 5	000 ⇄ 255	0–100%
28	Color	000 ⇄ 004	No function
		005 ⇄ 009	Color 1
		010 ⇄ 014	Color 2
		015 ⇄ 019	Color 3
		020 ⇄ 024	Color 4
		025 ⇄ 029	Color 5
		030 ⇄ 034	Color 6
		035 ⇄ 039	Color 7
		040 ⇄ 044	Color 8
		045 ⇄ 049	Color 9
		050 ⇄ 054	Color 10
		055 ⇄ 059	Color 11
		060 ⇄ 064	Color 12
		065 ⇄ 069	Color 13
		070 ⇄ 074	Color 14
		075 ⇄ 079	Color 15
		080 ⇄ 084	Color 16
		085 ⇄ 089	Color 17
		090 ⇄ 094	Color 18
		095 ⇄ 099	Color 19
		100 ⇄ 104	Color 20
		105 ⇄ 109	Color 21
		110 ⇄ 114	Color 22
		115 ⇄ 119	Color 23
		120 ⇄ 124	Color 24
		125 ⇄ 129	Color 25
		130 ⇄ 134	Color 26
		135 ⇄ 139	Color 27
		140 ⇄ 144	Color 28
		145 ⇄ 149	Color 29
150 ⇄ 154	Color 30		
155 ⇄ 159	Color 31		
160 ⇄ 164	Color 32		
165 ⇄ 169	Color 33		
170 ⇄ 174	Color 34		
175 ⇄ 179	No function		
180 ⇄ 201	Color scroll, fast to slow		
202 ⇄ 207	Hold		
208 ⇄ 229	Reverse color scroll, fast to slow		
230 ⇄ 234	No function		
235 ⇄ 249	Color snap, fast to slow		
250 ⇄ 255	No function		

QUICK REFERENCE GUIDE



EN

Channel	Function	Value	Percent/Setting
29	Zone Selection	000 ⇔ 007	Zone 1, 2, 3, 4, 5
		008 ⇔ 015	Zone 2, 3, 4, 5
		016 ⇔ 023	Zone 3, 4, 5
		024 ⇔ 031	Zone 4, 5
		032 ⇔ 039	Zone 5
		040 ⇔ 047	No function
		048 ⇔ 055	Zone 1
		056 ⇔ 063	Zone 1, 2
		064 ⇔ 071	Zone 1, 2, 3
		072 ⇔ 079	Zone 1, 2, 3, 4
		080 ⇔ 087	Zone 1, 2, 3, 4, 5
		088 ⇔ 095	Zone 1
		096 ⇔ 103	Zone 2
		104 ⇔ 111	Zone 3
		112 ⇔ 119	Zone 4
		120 ⇔ 127	Zone 5
		128 ⇔ 135	Zone 1, 2
		136 ⇔ 143	Zone 2, 3
		144 ⇔ 151	Zone 3, 4
		152 ⇔ 159	Zone 4, 5
		160 ⇔ 167	Zone 1, 5
		168 ⇔ 175	Zone 1, 2, 3
		176 ⇔ 183	Zone 2, 3, 4
		184 ⇔ 191	Zone 3, 4, 5
		192 ⇔ 199	Zone 1, 4, 5
		200 ⇔ 207	Zone 1, 2, 5
		208 ⇔ 215	Zone 1, 2, 3, 4
		216 ⇔ 223	Zone 2, 3, 4, 5
		224 ⇔ 231	Zone 1, 3, 4, 5
		232 ⇔ 239	Zone 1, 2, 4, 5
		240 ⇔ 247	Zone 1, 2, 3, 5
		248 ⇔ 255	Zone 1, 2, 3, 4, 5

Channel	Function	Value	Percent/Setting
30	Programs	000 ⇔ 015	No function
		016 ⇔ 020	Ring macro 1
		021 ⇔ 025	Ring macro 2
		026 ⇔ 030	Ring macro 3
		031 ⇔ 035	Ring macro 4
		036 ⇔ 040	Ring macro 5
		041 ⇔ 045	Ring macro 6
		046 ⇔ 050	Ring macro 7
		051 ⇔ 055	Ring macro 8
		056 ⇔ 060	Ring macro 9
		061 ⇔ 065	Ring macro 10
		066 ⇔ 070	Ring macro 11
		071 ⇔ 075	Ring macro 12
		076 ⇔ 080	Ring macro 13
		081 ⇔ 085	Ring macro 14
		086 ⇔ 090	Ring macro 15
		091 ⇔ 095	Ring macro 16
		096 ⇔ 100	Ring macro 17
		101 ⇔ 105	Ring macro 18
		106 ⇔ 110	Ring macro 19
		111 ⇔ 115	Ring macro 20
		116 ⇔ 120	Ring macro 21
		121 ⇔ 125	Ring macro 22
		126 ⇔ 130	Ring macro 23
		131 ⇔ 135	Ring macro 24
		136 ⇔ 140	Color ring macro 1
		141 ⇔ 145	Color ring macro 2
		146 ⇔ 150	Color ring macro 3
		151 ⇔ 155	Color ring macro 4
		156 ⇔ 160	Color ring macro 5
		161 ⇔ 165	Color ring macro 6
		166 ⇔ 170	Color ring macro 7
171 ⇔ 175	Color ring macro 8		
176 ⇔ 180	Color ring macro 9		
181 ⇔ 185	Color ring macro 10		
186 ⇔ 190	Color ring macro 11		
191 ⇔ 195	Color ring macro 12		
196 ⇔ 200	Color ring macro 13		
201 ⇔ 205	Color ring macro 14		
206 ⇔ 210	Color ring macro 15		
211 ⇔ 215	Color ring macro 16		
216 ⇔ 220	Color ring macro 17		
221 ⇔ 225	Color ring macro 18		
226 ⇔ 230	Color ring macro 19		
231 ⇔ 235	Color ring macro 20		
236 ⇔ 240	Color ring macro 21		
241 ⇔ 245	Color ring macro 22		
246 ⇔ 250	Color ring macro 23		
251 ⇔ 255	Color ring macro 24		
31	Auto Speed	000 ⇔ 255	0–100%
32	Zoom	000 ⇔ 255	0–100%

QUICK REFERENCE GUIDE



EN

Channel	Function	Value	Percent/Setting
33	Control (5 second activation delay)	000 ⇔ 009	No function
		010 ⇔ 014	Blackout during pan/tilt
		015 ⇔ 049	No function
		050 ⇔ 054	Pan reset
		055 ⇔ 059	Tilt reset
		060 ⇔ 064	Zoom reset
		065 ⇔ 069	No function
		070 ⇔ 074	Reset all
		075 ⇔ 079	No function
		080 ⇔ 084	Reverse pan and tilt movement
		085 ⇔ 089	Reverse pan movement
		090 ⇔ 094	Reverse tilt movement
		095 ⇔ 099	Normal pan movement
		100 ⇔ 104	Normal tilt movement
		105 ⇔ 109	Normal pan and tilt movement
		110 ⇔ 119	No function
		120 ⇔ 124	Fan ECO mode
		125 ⇔ 129	Fan full speed
		130 ⇔ 134	Fan auto mode
		135 ⇔ 139	Fast dimmer curve
140 ⇔ 144	Smooth dimmer curve		
145 ⇔ 255	No function		

33CH MS

Channel	Function	Value	Percent/Setting
1	Pan	000 ⇔ 255	0–100%
2	Fine Pan	000 ⇔ 255	Fine control (16-bit)
3	Tilt	000 ⇔ 255	0–100%
4	Fine Tilt	000 ⇔ 255	Fine control (16-bit)
5	Pan/Tilt Speed	000 ⇔ 255	Fast to slow
6	Dimmer	000 ⇔ 255	0–100%
7	Strobe	000 ⇔ 019	Off
		020 ⇔ 024	On
		025 ⇔ 064	Strobe, fast to slow
		065 ⇔ 069	On
		070 ⇔ 084	Fast on, slow off (fast to slow)
		085 ⇔ 089	On
		090 ⇔ 104	Slow on, fast off (fast to slow)
		105 ⇔ 109	On
		110 ⇔ 124	Random strobe, fast to slow
		125 ⇔ 129	On
		130 ⇔ 144	Random fast on, slow off (fast to slow)
		145 ⇔ 149	On
		150 ⇔ 164	Random slow on, fast off (fast to slow)
		165 ⇔ 169	On
		170 ⇔ 184	Pulse strobe, fast to slow
		184 ⇔ 189	On
		190 ⇔ 204	Random pulse strobe, fast to slow
		205 ⇔ 209	On
		210 ⇔ 224	Slow on, slow off (fast to slow)
		225 ⇔ 229	On
230 ⇔ 244	Pulse strobe, fast to slow		
245 ⇔ 255	On		

Channel	Function	Value	Percent/Setting
8	Color	000 ⇔ 004	No function
		005 ⇔ 009	Color 1
		010 ⇔ 014	Color 2
		015 ⇔ 019	Color 3
		020 ⇔ 024	Color 4
		025 ⇔ 029	Color 5
		030 ⇔ 034	Color 6
		035 ⇔ 039	Color 7
		040 ⇔ 044	Color 8
		045 ⇔ 049	Color 9
		050 ⇔ 054	Color 10
		055 ⇔ 059	Color 11
		060 ⇔ 064	Color 12
		065 ⇔ 069	Color 13
		070 ⇔ 074	Color 14
		075 ⇔ 079	Color 15
		080 ⇔ 084	Color 16
		085 ⇔ 089	Color 17
		090 ⇔ 094	Color 18
		095 ⇔ 099	Color 19
		100 ⇔ 104	Color 20
		105 ⇔ 109	Color 21
		110 ⇔ 114	Color 22
		115 ⇔ 119	Color 23
		120 ⇔ 124	Color 24
		125 ⇔ 129	Color 25
		130 ⇔ 134	Color 26
		135 ⇔ 139	Color 27
		140 ⇔ 144	Color 28
		145 ⇔ 149	Color 29
		150 ⇔ 154	Color 30
		155 ⇔ 159	Color 31
160 ⇔ 164	Color 32		
165 ⇔ 169	Color 33		
170 ⇔ 174	Color 34		
175 ⇔ 179	No function		
180 ⇔ 201	Color scroll, fast to slow		
202 ⇔ 207	Hold		
208 ⇔ 229	Reverse color scroll, fast to slow		
230 ⇔ 234	No function		
235 ⇔ 249	Color snap, fast to slow		
250 ⇔ 255	No function		

QUICK REFERENCE GUIDE



EN

Channel	Function	Value	Percent/Setting
9	Zone Selection	000 ⇔ 007	Zone 1, 2, 3, 4, 5
		008 ⇔ 015	Zone 2, 3, 4, 5
		016 ⇔ 023	Zone 3, 4, 5
		024 ⇔ 031	Zone 4, 5
		032 ⇔ 039	Zone 5
		040 ⇔ 047	No function
		048 ⇔ 055	Zone 1
		056 ⇔ 063	Zone 1, 2
		064 ⇔ 071	Zone 1, 2, 3
		072 ⇔ 079	Zone 1, 2, 3, 4
		080 ⇔ 087	Zone 1, 2, 3, 4, 5
		088 ⇔ 095	Zone 1
		096 ⇔ 103	Zone 2
		104 ⇔ 111	Zone 3
		112 ⇔ 119	Zone 4
		120 ⇔ 127	Zone 5
		128 ⇔ 135	Zone 1, 2
		136 ⇔ 143	Zone 2, 3
		144 ⇔ 151	Zone 3, 4
		152 ⇔ 159	Zone 4, 5
		160 ⇔ 167	Zone 1, 5
		168 ⇔ 175	Zone 1, 2, 3
		176 ⇔ 183	Zone 2, 3, 4
		184 ⇔ 191	Zone 3, 4, 5
		192 ⇔ 199	Zone 1, 4, 5
		200 ⇔ 207	Zone 1, 2, 5
		208 ⇔ 215	Zone 1, 2, 3, 4
		216 ⇔ 223	Zone 2, 3, 4, 5
		224 ⇔ 231	Zone 1, 3, 4, 5
		232 ⇔ 239	Zone 1, 2, 4, 5
		240 ⇔ 247	Zone 1, 2, 3, 5
		248 ⇔ 255	Zone 1, 2, 3, 4, 5

Channel	Function	Value	Percent/Setting
10	Programs	000 ⇔ 015	No function
		016 ⇔ 020	Ring macro 1
		021 ⇔ 025	Ring macro 2
		026 ⇔ 030	Ring macro 3
		031 ⇔ 035	Ring macro 4
		036 ⇔ 040	Ring macro 5
		041 ⇔ 045	Ring macro 6
		046 ⇔ 050	Ring macro 7
		051 ⇔ 055	Ring macro 8
		056 ⇔ 060	Ring macro 9
		061 ⇔ 065	Ring macro 10
		066 ⇔ 070	Ring macro 11
		071 ⇔ 075	Ring macro 12
		076 ⇔ 080	Ring macro 13
		081 ⇔ 085	Ring macro 14
		086 ⇔ 090	Ring macro 15
		091 ⇔ 095	Ring macro 16
		096 ⇔ 100	Ring macro 17
		101 ⇔ 105	Ring macro 18
		106 ⇔ 110	Ring macro 19
		111 ⇔ 115	Ring macro 20
		116 ⇔ 120	Ring macro 21
		121 ⇔ 125	Ring macro 22
		126 ⇔ 130	Ring macro 23
		131 ⇔ 135	Ring macro 24
		136 ⇔ 140	Color ring macro 1
		141 ⇔ 145	Color ring macro 2
		146 ⇔ 150	Color ring macro 3
		151 ⇔ 155	Color ring macro 4
		156 ⇔ 160	Color ring macro 5
		161 ⇔ 165	Color ring macro 6
		166 ⇔ 170	Color ring macro 7
		171 ⇔ 175	Color ring macro 8
		176 ⇔ 180	Color ring macro 9
181 ⇔ 185	Color ring macro 10		
186 ⇔ 190	Color ring macro 11		
191 ⇔ 195	Color ring macro 12		
196 ⇔ 200	Color ring macro 13		
201 ⇔ 205	Color ring macro 14		
206 ⇔ 210	Color ring macro 15		
211 ⇔ 215	Color ring macro 16		
216 ⇔ 220	Color ring macro 17		
221 ⇔ 225	Color ring macro 18		
226 ⇔ 230	Color ring macro 19		
231 ⇔ 235	Color ring macro 20		
236 ⇔ 240	Color ring macro 21		
241 ⇔ 245	Color ring macro 22		
246 ⇔ 250	Color ring macro 23		
251 ⇔ 255	Color ring macro 24		
11	Auto Speed	000 ⇔ 255	0–100%
12	Zoom	000 ⇔ 255	0–100%

QUICK REFERENCE GUIDE



EN

Channel	Function	Value	Percent/Setting
13	Control (5 second activation delay)	000 ⇔ 009	No function
		010 ⇔ 014	Blackout during pan/tilt
		015 ⇔ 049	No function
		050 ⇔ 054	Pan reset
		055 ⇔ 059	Tilt reset
		060 ⇔ 064	Zoom reset
		065 ⇔ 069	No function
		070 ⇔ 074	Reset all
		075 ⇔ 079	No function
		080 ⇔ 084	Reverse pan and tilt movement
		085 ⇔ 089	Reverse pan movement
		090 ⇔ 094	Reverse tilt movement
		095 ⇔ 099	Normal pan movement
		100 ⇔ 104	Normal tilt movement
		105 ⇔ 109	Normal pan and tilt movement
		110 ⇔ 119	No function
		120 ⇔ 124	Fan ECO mode
		125 ⇔ 129	Fan full speed
130 ⇔ 134	Fan auto mode		
135 ⇔ 139	Fast dimmer curve		
140 ⇔ 144	Smooth dimmer curve		
145 ⇔ 255	No function		
14	Red 1	000 ⇔ 255	0–100%
15	Green 1	000 ⇔ 255	0–100%
16	Blue 1	000 ⇔ 255	0–100%
17	White 1	000 ⇔ 255	0–100%
18	Red 2	000 ⇔ 255	0–100%
19	Green 2	000 ⇔ 255	0–100%
20	Blue 2	000 ⇔ 255	0–100%
21	White 2	000 ⇔ 255	0–100%
22	Red 3	000 ⇔ 255	0–100%
23	Green 3	000 ⇔ 255	0–100%
24	Blue 3	000 ⇔ 255	0–100%
25	White 3	000 ⇔ 255	0–100%
26	Red 4	000 ⇔ 255	0–100%
27	Green 4	000 ⇔ 255	0–100%
28	Blue 4	000 ⇔ 255	0–100%
29	White 4	000 ⇔ 255	0–100%
30	Red 5	000 ⇔ 255	0–100%
31	Green 5	000 ⇔ 255	0–100%
32	Blue 5	000 ⇔ 255	0–100%
33	White 5	000 ⇔ 255	0–100%

22CH

Channel	Function	Value	Percent/Setting
1	Pan	000 ⇔ 255	0–100%
2	Fine Pan	000 ⇔ 255	Fine control (16-bit)
3	Tilt	000 ⇔ 255	0–100%
4	Fine Tilt	000 ⇔ 255	Fine control (16-bit)
5	Pan/Tilt Speed	000 ⇔ 255	Fast to slow
6	Dimmer	000 ⇔ 255	0–100%
7	Fine Dimmer	000 ⇔ 255	Fine control (16-bit)

Channel	Function	Value	Percent/Setting
8	Strobe	000 ⇔ 019	Off
		020 ⇔ 024	On
		025 ⇔ 064	Strobe, fast to slow
		065 ⇔ 069	On
		070 ⇔ 084	Fast on, slow off (fast to slow)
		085 ⇔ 089	On
		090 ⇔ 104	Slow on, fast off (fast to slow)
		105 ⇔ 109	On
		110 ⇔ 124	Random strobe, fast to slow
		125 ⇔ 129	On
		130 ⇔ 144	Random fast on, slow off (fast to slow)
		145 ⇔ 149	On
		150 ⇔ 164	Random slow on, fast off (fast to slow)
		165 ⇔ 169	On
		170 ⇔ 184	Pulse strobe, fast to slow
		184 ⇔ 189	On
		190 ⇔ 204	Random pulse strobe, fast to slow
205 ⇔ 209	On		
210 ⇔ 224	Slow on, slow off (fast to slow)		
225 ⇔ 229	On		
230 ⇔ 244	Pulse strobe, fast to slow		
245 ⇔ 255	On		
9	Red	000 ⇔ 255	0–100%
10	Fine Red	000 ⇔ 255	Fine control (16-bit)
11	Green	000 ⇔ 255	0–100%
12	Fine Green	000 ⇔ 255	Fine control (16-bit)
13	Blue	000 ⇔ 255	0–100%
14	Fine Blue	000 ⇔ 255	Fine control (16-bit)
15	White	000 ⇔ 255	0–100%
16	Fine White	000 ⇔ 255	Fine control (16-bit)

QUICK REFERENCE GUIDE



EN

Channel	Function	Value	Percent/Setting
17	Color	000 ⇔ 004	No function
		005 ⇔ 009	Color 1
		010 ⇔ 014	Color 2
		015 ⇔ 019	Color 3
		020 ⇔ 024	Color 4
		025 ⇔ 029	Color 5
		030 ⇔ 034	Color 6
		035 ⇔ 039	Color 7
		040 ⇔ 044	Color 8
		045 ⇔ 049	Color 9
		050 ⇔ 054	Color 10
		055 ⇔ 059	Color 11
		060 ⇔ 064	Color 12
		065 ⇔ 069	Color 13
		070 ⇔ 074	Color 14
		075 ⇔ 079	Color 15
		080 ⇔ 084	Color 16
		085 ⇔ 089	Color 17
		090 ⇔ 094	Color 18
		095 ⇔ 099	Color 19
		100 ⇔ 104	Color 20
		105 ⇔ 109	Color 21
		110 ⇔ 114	Color 22
		115 ⇔ 119	Color 23
		120 ⇔ 124	Color 24
		125 ⇔ 129	Color 25
		130 ⇔ 134	Color 26
		135 ⇔ 139	Color 27
		140 ⇔ 144	Color 28
		145 ⇔ 149	Color 29
		150 ⇔ 154	Color 30
		155 ⇔ 159	Color 31
		160 ⇔ 164	Color 32
		165 ⇔ 169	Color 33
170 ⇔ 174	Color 34		
175 ⇔ 179	No function		
180 ⇔ 201	Color scroll, fast to slow		
202 ⇔ 207	Hold		
208 ⇔ 229	Reverse color scroll, fast to slow		
230 ⇔ 234	No function		
235 ⇔ 249	Color snap, fast to slow		
250 ⇔ 255	No function		

Channel	Function	Value	Percent/Setting
18	Zone Selection	000 ⇔ 007	Zone 1, 2, 3, 4, 5
		008 ⇔ 015	Zone 2, 3, 4, 5
		016 ⇔ 023	Zone 3, 4, 5
		024 ⇔ 031	Zone 4, 5
		032 ⇔ 039	Zone 5
		040 ⇔ 047	No function
		048 ⇔ 055	Zone 1
		056 ⇔ 063	Zone 1, 2
		064 ⇔ 071	Zone 1, 2, 3
		072 ⇔ 079	Zone 1, 2, 3, 4
		080 ⇔ 087	Zone 1, 2, 3, 4, 5
		088 ⇔ 095	Zone 1
		096 ⇔ 103	Zone 2
		104 ⇔ 111	Zone 3
		112 ⇔ 119	Zone 4
		120 ⇔ 127	Zone 5
		128 ⇔ 135	Zone 1, 2
		136 ⇔ 143	Zone 2, 3
		144 ⇔ 151	Zone 3, 4
		152 ⇔ 159	Zone 4, 5
		160 ⇔ 167	Zone 1, 5
		168 ⇔ 175	Zone 1, 2, 3
		176 ⇔ 183	Zone 2, 3, 4
		184 ⇔ 191	Zone 3, 4, 5
		192 ⇔ 199	Zone 1, 4, 5
		200 ⇔ 207	Zone 1, 2, 5
		208 ⇔ 215	Zone 1, 2, 3, 4
		216 ⇔ 223	Zone 2, 3, 4, 5
		224 ⇔ 231	Zone 1, 3, 4, 5
		232 ⇔ 239	Zone 1, 2, 4, 5
240 ⇔ 247	Zone 1, 2, 3, 5		
248 ⇔ 255	Zone 1, 2, 3, 4, 5		

QUICK REFERENCE GUIDE



EN

Channel	Function	Value	Percent/Setting
19	Programs	000 ⇔ 015	No function
		016 ⇔ 020	Ring macro 1
		021 ⇔ 025	Ring macro 2
		026 ⇔ 030	Ring macro 3
		031 ⇔ 035	Ring macro 4
		036 ⇔ 040	Ring macro 5
		041 ⇔ 045	Ring macro 6
		046 ⇔ 050	Ring macro 7
		051 ⇔ 055	Ring macro 8
		056 ⇔ 060	Ring macro 9
		061 ⇔ 065	Ring macro 10
		066 ⇔ 070	Ring macro 11
		071 ⇔ 075	Ring macro 12
		076 ⇔ 080	Ring macro 13
		081 ⇔ 085	Ring macro 14
		086 ⇔ 090	Ring macro 15
		091 ⇔ 095	Ring macro 16
		096 ⇔ 100	Ring macro 17
		101 ⇔ 105	Ring macro 18
		106 ⇔ 110	Ring macro 19
		111 ⇔ 115	Ring macro 20
		116 ⇔ 120	Ring macro 21
		121 ⇔ 125	Ring macro 22
		126 ⇔ 130	Ring macro 23
		131 ⇔ 135	Ring macro 24
		136 ⇔ 140	Color ring macro 1
		141 ⇔ 145	Color ring macro 2
		146 ⇔ 150	Color ring macro 3
		151 ⇔ 155	Color ring macro 4
		156 ⇔ 160	Color ring macro 5
		161 ⇔ 165	Color ring macro 6
		166 ⇔ 170	Color ring macro 7
		171 ⇔ 175	Color ring macro 8
		176 ⇔ 180	Color ring macro 9
		181 ⇔ 185	Color ring macro 10
		186 ⇔ 190	Color ring macro 11
		191 ⇔ 195	Color ring macro 12
		196 ⇔ 200	Color ring macro 13
		201 ⇔ 205	Color ring macro 14
		206 ⇔ 210	Color ring macro 15
		211 ⇔ 215	Color ring macro 16
		216 ⇔ 220	Color ring macro 17
		221 ⇔ 225	Color ring macro 18
		226 ⇔ 230	Color ring macro 19
231 ⇔ 235	Color ring macro 20		
236 ⇔ 240	Color ring macro 21		
241 ⇔ 245	Color ring macro 22		
246 ⇔ 250	Color ring macro 23		
251 ⇔ 255	Color ring macro 24		
20	Auto Speed	000 ⇔ 255	0–100%
21	Zoom	000 ⇔ 255	0–100%

Channel	Function	Value	Percent/Setting
22	Control (5 second activation delay)	000 ⇔ 009	No function
		010 ⇔ 014	Blackout during pan/tilt
		015 ⇔ 049	No function
		050 ⇔ 054	Pan reset
		055 ⇔ 059	Tilt reset
		060 ⇔ 064	Zoom reset
		065 ⇔ 069	No function
		070 ⇔ 074	Reset all
		075 ⇔ 079	No function
		080 ⇔ 084	Reverse pan and tilt movement
		085 ⇔ 089	Reverse pan movement
		090 ⇔ 094	Reverse tilt movement
		095 ⇔ 099	Normal pan movement
		100 ⇔ 104	Normal tilt movement
		105 ⇔ 109	Normal pan and tilt movement
		110 ⇔ 119	No function
		120 ⇔ 124	Fan ECO mode
		125 ⇔ 129	Fan full speed
		130 ⇔ 134	Fan auto mode
135 ⇔ 139	Fast dimmer curve		
140 ⇔ 144	Smooth dimmer curve		
145 ⇔ 255	No function		

17CH

Channel	Function	Value	Percent/Setting
1	Pan	000 ⇔ 255	0–100%
2	Fine Pan	000 ⇔ 255	Fine control (16-bit)
3	Tilt	000 ⇔ 255	0–100%
4	Fine Tilt	000 ⇔ 255	Fine control (16-bit)
5	Pan/Tilt Speed	000 ⇔ 255	Fast to slow
6	Dimmer	000 ⇔ 255	0–100%
7	Strobe	000 ⇔ 019	Off
		020 ⇔ 024	On
		025 ⇔ 064	Strobe, fast to slow
		065 ⇔ 069	On
		070 ⇔ 084	Fast on, slow off (fast to slow)
		085 ⇔ 089	On
		090 ⇔ 104	Slow on, fast off (fast to slow)
		105 ⇔ 109	On
		110 ⇔ 124	Random strobe, fast to slow
		125 ⇔ 129	On
		130 ⇔ 144	Random fast on, slow off (fast to slow)
		145 ⇔ 149	On
		150 ⇔ 164	Random slow on, fast off (fast to slow)
		165 ⇔ 169	On
		170 ⇔ 184	Pulse strobe, fast to slow
		184 ⇔ 189	On
		190 ⇔ 204	Random pulse strobe, fast to slow
		205 ⇔ 209	On
		210 ⇔ 224	Slow on, slow off (fast to slow)
		225 ⇔ 229	On
230 ⇔ 244	Pulse strobe, fast to slow		
245 ⇔ 255	On		

QUICK REFERENCE GUIDE



EN

Channel	Function	Value	Percent/Setting
8	Red	000 ⇄ 255	0–100%
9	Green	000 ⇄ 255	0–100%
10	Blue	000 ⇄ 255	0–100%
11	White	000 ⇄ 255	0–100%
12	Color	000 ⇄ 004	No function
		005 ⇄ 009	Color 1
		010 ⇄ 014	Color 2
		015 ⇄ 019	Color 3
		020 ⇄ 024	Color 4
		025 ⇄ 029	Color 5
		030 ⇄ 034	Color 6
		035 ⇄ 039	Color 7
		040 ⇄ 044	Color 8
		045 ⇄ 049	Color 9
		050 ⇄ 054	Color 10
		055 ⇄ 059	Color 11
		060 ⇄ 064	Color 12
		065 ⇄ 069	Color 13
		070 ⇄ 074	Color 14
		075 ⇄ 079	Color 15
		080 ⇄ 084	Color 16
		085 ⇄ 089	Color 17
		090 ⇄ 094	Color 18
		095 ⇄ 099	Color 19
		100 ⇄ 104	Color 20
		105 ⇄ 109	Color 21
		110 ⇄ 114	Color 22
		115 ⇄ 119	Color 23
		120 ⇄ 124	Color 24
		125 ⇄ 129	Color 25
		130 ⇄ 134	Color 26
		135 ⇄ 139	Color 27
		140 ⇄ 144	Color 28
		145 ⇄ 149	Color 29
		150 ⇄ 154	Color 30
		155 ⇄ 159	Color 31
		160 ⇄ 164	Color 32
		165 ⇄ 169	Color 33
170 ⇄ 174	Color 34		
175 ⇄ 179	No function		
180 ⇄ 201	Color scroll, fast to slow		
202 ⇄ 207	Hold		
208 ⇄ 229	Reverse color scroll, fast to slow		
230 ⇄ 234	No function		
235 ⇄ 249	Color snap, fast to slow		
250 ⇄ 255	No function		

Channel	Function	Value	Percent/Setting
13	Zone Selection	000 ⇔ 007	Zone 1, 2, 3, 4, 5
		008 ⇔ 015	Zone 2, 3, 4, 5
		016 ⇔ 023	Zone 3, 4, 5
		024 ⇔ 031	Zone 4, 5
		032 ⇔ 039	Zone 5
		040 ⇔ 047	No function
		048 ⇔ 055	Zone 1
		056 ⇔ 063	Zone 1, 2
		064 ⇔ 071	Zone 1, 2, 3
		072 ⇔ 079	Zone 1, 2, 3, 4
		080 ⇔ 087	Zone 1, 2, 3, 4, 5
		088 ⇔ 095	Zone 1
		096 ⇔ 103	Zone 2
		104 ⇔ 111	Zone 3
		112 ⇔ 119	Zone 4
		120 ⇔ 127	Zone 5
		128 ⇔ 135	Zone 1, 2
		136 ⇔ 143	Zone 2, 3
		144 ⇔ 151	Zone 3, 4
		152 ⇔ 159	Zone 4, 5
		160 ⇔ 167	Zone 1, 5
		168 ⇔ 175	Zone 1, 2, 3
		176 ⇔ 183	Zone 2, 3, 4
		184 ⇔ 191	Zone 3, 4, 5
		192 ⇔ 199	Zone 1, 4, 5
		200 ⇔ 207	Zone 1, 2, 5
		208 ⇔ 215	Zone 1, 2, 3, 4
		216 ⇔ 223	Zone 2, 3, 4, 5
		224 ⇔ 231	Zone 1, 3, 4, 5
		232 ⇔ 239	Zone 1, 2, 4, 5
240 ⇔ 247	Zone 1, 2, 3, 5		
248 ⇔ 255	Zone 1, 2, 3, 4, 5		

QUICK REFERENCE GUIDE



EN

Channel	Function	Value	Percent/Setting
14	Programs	000 ⇔ 015	No function
		016 ⇔ 020	Ring macro 1
		021 ⇔ 025	Ring macro 2
		026 ⇔ 030	Ring macro 3
		031 ⇔ 035	Ring macro 4
		036 ⇔ 040	Ring macro 5
		041 ⇔ 045	Ring macro 6
		046 ⇔ 050	Ring macro 7
		051 ⇔ 055	Ring macro 8
		056 ⇔ 060	Ring macro 9
		061 ⇔ 065	Ring macro 10
		066 ⇔ 070	Ring macro 11
		071 ⇔ 075	Ring macro 12
		076 ⇔ 080	Ring macro 13
		081 ⇔ 085	Ring macro 14
		086 ⇔ 090	Ring macro 15
		091 ⇔ 095	Ring macro 16
		096 ⇔ 100	Ring macro 17
		101 ⇔ 105	Ring macro 18
		106 ⇔ 110	Ring macro 19
		111 ⇔ 115	Ring macro 20
		116 ⇔ 120	Ring macro 21
		121 ⇔ 125	Ring macro 22
		126 ⇔ 130	Ring macro 23
		131 ⇔ 135	Ring macro 24
		136 ⇔ 140	Color ring macro 1
		141 ⇔ 145	Color ring macro 2
		146 ⇔ 150	Color ring macro 3
		151 ⇔ 155	Color ring macro 4
		156 ⇔ 160	Color ring macro 5
		161 ⇔ 165	Color ring macro 6
		166 ⇔ 170	Color ring macro 7
		171 ⇔ 175	Color ring macro 8
		176 ⇔ 180	Color ring macro 9
		181 ⇔ 185	Color ring macro 10
		186 ⇔ 190	Color ring macro 11
		191 ⇔ 195	Color ring macro 12
		196 ⇔ 200	Color ring macro 13
		201 ⇔ 205	Color ring macro 14
		206 ⇔ 210	Color ring macro 15
		211 ⇔ 215	Color ring macro 16
		216 ⇔ 220	Color ring macro 17
		221 ⇔ 225	Color ring macro 18
		226 ⇔ 230	Color ring macro 19
231 ⇔ 235	Color ring macro 20		
236 ⇔ 240	Color ring macro 21		
241 ⇔ 245	Color ring macro 22		
246 ⇔ 250	Color ring macro 23		
251 ⇔ 255	Color ring macro 24		
15	Auto Speed	000 ⇔ 255	0–100%
16	Zoom	000 ⇔ 255	0–100%

Channel	Function	Value	Percent/Setting
17	Control (5 second activation delay)	000 ⇔ 009	No function
		010 ⇔ 014	Blackout during pan/tilt
		015 ⇔ 049	No function
		050 ⇔ 054	Pan reset
		055 ⇔ 059	Tilt reset
		060 ⇔ 064	Zoom reset
		065 ⇔ 069	No function
		070 ⇔ 074	Reset all
		075 ⇔ 079	No function
		080 ⇔ 084	Reverse pan and tilt movement
		085 ⇔ 089	Reverse pan movement
		090 ⇔ 094	Reverse tilt movement
		095 ⇔ 099	Normal pan movement
		100 ⇔ 104	Normal tilt movement
		105 ⇔ 109	Normal pan and tilt movement
		110 ⇔ 119	No function
		120 ⇔ 124	Fan ECO mode
		125 ⇔ 129	Fan full speed
		130 ⇔ 134	Fan auto mode
		135 ⇔ 139	Fast dimmer curve
140 ⇔ 144	Smooth dimmer curve		
145 ⇔ 255	No function		

15CH

Channel	Function	Value	Percent/Setting
1	Pan	000 ⇔ 255	0–100%
2	Fine Pan	000 ⇔ 255	Fine control (16-bit)
3	Tilt	000 ⇔ 255	0–100%
4	Fine Tilt	000 ⇔ 255	Fine control (16-bit)
5	Pan/Tilt Speed	000 ⇔ 255	Fast to slow
6	Dimmer	000 ⇔ 255	0–100%
7	Fine Dimmer	000 ⇔ 255	Fine control (16-bit)

QUICK REFERENCE GUIDE



EN

Channel	Function	Value	Percent/Setting
8	Strobe	000 ⇔ 019	Off
		020 ⇔ 024	On
		025 ⇔ 064	Strobe, fast to slow
		065 ⇔ 069	On
		070 ⇔ 084	Fast on, slow off (fast to slow)
		085 ⇔ 089	On
		090 ⇔ 104	Slow on, fast off (fast to slow)
		105 ⇔ 109	On
		110 ⇔ 124	Random strobe, fast to slow
		125 ⇔ 129	On
		130 ⇔ 144	Random fast on, slow off (fast to slow)
		145 ⇔ 149	On
		150 ⇔ 164	Random slow on, fast off (fast to slow)
		165 ⇔ 169	On
		170 ⇔ 184	Pulse strobe, fast to slow
		184 ⇔ 189	On
		190 ⇔ 204	Random pulse strobe, fast to slow
		205 ⇔ 209	On
210 ⇔ 224	Slow on, slow off (fast to slow)		
225 ⇔ 229	On		
230 ⇔ 244	Pulse strobe, fast to slow		
245 ⇔ 255	On		
9	Red	000 ⇔ 255	0–100%
10	Green	000 ⇔ 255	0–100%
11	Blue	000 ⇔ 255	0–100%
12	White	000 ⇔ 255	0–100%

Channel	Function	Value	Percent/Setting
13	Color	000 ⇔ 004	No function
		005 ⇔ 009	Color 1
		010 ⇔ 014	Color 2
		015 ⇔ 019	Color 3
		020 ⇔ 024	Color 4
		025 ⇔ 029	Color 5
		030 ⇔ 034	Color 6
		035 ⇔ 039	Color 7
		040 ⇔ 044	Color 8
		045 ⇔ 049	Color 9
		050 ⇔ 054	Color 10
		055 ⇔ 059	Color 11
		060 ⇔ 064	Color 12
		065 ⇔ 069	Color 13
		070 ⇔ 074	Color 14
		075 ⇔ 079	Color 15
		080 ⇔ 084	Color 16
		085 ⇔ 089	Color 17
		090 ⇔ 094	Color 18
		095 ⇔ 099	Color 19
		100 ⇔ 104	Color 20
		105 ⇔ 109	Color 21
		110 ⇔ 114	Color 22
		115 ⇔ 119	Color 23
		120 ⇔ 124	Color 24
		125 ⇔ 129	Color 25
		130 ⇔ 134	Color 26
		135 ⇔ 139	Color 27
		140 ⇔ 144	Color 28
		145 ⇔ 149	Color 29
150 ⇔ 154	Color 30		
155 ⇔ 159	Color 31		
160 ⇔ 164	Color 32		
165 ⇔ 169	Color 33		
170 ⇔ 174	Color 34		
175 ⇔ 179	No function		
180 ⇔ 201	Color scroll, fast to slow		
202 ⇔ 207	Hold		
208 ⇔ 229	Reverse color scroll, fast to slow		
230 ⇔ 234	No function		
235 ⇔ 249	Color snap, fast to slow		
250 ⇔ 255	No function		
14	Zoom	000 ⇔ 255	0–100%

QUICK REFERENCE GUIDE



EN

Channel	Function	Value	Percent/Setting
15	Control (5 second activation delay)	000 ⇔ 009	No function
		010 ⇔ 014	Blackout during pan/tilt
		015 ⇔ 049	No function
		050 ⇔ 054	Pan reset
		055 ⇔ 059	Tilt reset
		060 ⇔ 064	Zoom reset
		065 ⇔ 069	No function
		070 ⇔ 074	Reset all
		075 ⇔ 079	No function
		080 ⇔ 084	Reverse pan and tilt movement
		085 ⇔ 089	Reverse pan movement
		090 ⇔ 094	Reverse tilt movement
		095 ⇔ 099	Normal pan movement
		100 ⇔ 104	Normal tilt movement
		105 ⇔ 109	Normal pan and tilt movement
		110 ⇔ 119	No function
		120 ⇔ 124	Fan ECO mode
		125 ⇔ 129	Fan full speed
		130 ⇔ 134	Fan auto mode
		135 ⇔ 139	Fast dimmer curve
140 ⇔ 144	Smooth dimmer curve		
145 ⇔ 255	No function		

Acerca de Esta Guía

La Guía de Referencia Rápida (GRR) del Rogue R2X Wash contiene información básica sobre el producto, como montaje, opciones de menú y valores DMX. Descargue el Manual de Usuario de www.chauvetprofessional.com para información más detallada.

Exención de Responsabilidad

La información y especificaciones contenidas en esta GRR están sujetas a cambio sin previo aviso.

GARANTÍA LIMITADA

PARA VER EL REGISTRO DE GARANTÍA Y LOS TÉRMINOS Y CONDICIONES COMPLETOS, VISITE NUESTRO SITIO WEB.

Para clientes en los Estados Unidos y México: www.chauvetlighting.com/warranty-registration.

Para clientes en Reino Unido, República de Irlanda, Bélgica, Países Bajos, Luxemburgo, Francia y Alemania: www.chauvetlighting.eu/warranty-registration.

Chauvet garantiza que este producto estará libre de defectos de material y mano de obra en condiciones de uso normales, durante el periodo especificado, sujeto siempre a las exclusiones y limitaciones establecidas en la garantía limitada completa de nuestro sitio web. Esta garantía se concede únicamente al comprador original del producto y no es transferible. Para ejercer los derechos que otorga esta garantía, usted debe proporcionar una prueba de compra en forma de un recibo de compra original, expedido por un distribuidor autorizado, donde figure el nombre del producto y la fecha de compra. NO EXISTEN OTRAS GARANTÍAS EXPRESAS NI IMPLÍCITAS. Esta garantía le otorga derechos legales específicos. Es posible que a usted le asistan otros derechos, que variarán dependiendo del estado o del país. Esta garantía solamente es válida en los Estados Unidos, Reino Unido, República de Irlanda, Bélgica, Países Bajos, Luxemburgo, Francia, Alemania y México. Para conocer los términos de garantía en otros países, consulte a su distribuidor local.

Notas de Seguridad

- NO abra este producto. No contiene piezas reparables por el usuario.
- NO mire a la fuente de luz cuando el producto esté encendido.
- Para evitar un desgaste innecesario y alargar su vida útil, desconecte complemente el producto de la alimentación, mediante el interruptor o desenchufándolo, durante los periodos en los que no se use.
- CUIDADO: La carcasa de este producto está caliente cuando las luces están en funcionamiento.
- Monte este producto en una ubicación con ventilación adecuada, al menos a 20" (50 cm) de superficies adyacentes.
- NO deje ningún material inflamable a menos de 50 cm de este producto mientras esté funcionando o conectado a la alimentación.
- Cuidado: cuando transfiera el producto desde ambientes con temperatura extrema (p. ej., del remolque frío de un camión a una sala de baile con calor y humedad), puede formarse condensación en la electrónica interna del producto. Para evitar que se produzca una avería, deje que el producto se aclimate completamente al ambiente antes de conectar la alimentación.
- USE un cable de seguridad cuando monte este producto en lo alto.
- NO ponga en funcionamiento este producto en el exterior o en cualquier ubicación en la que el polvo, calor excesivo, agua o humedad puedan afectarlo. (IP20)
- NO ponga en funcionamiento este producto si sospecha que la carcasa, lentes o cables están dañados.
- NO conecte este producto a un atenuador o reostato.
- Conecte este producto SOLO a un circuito con toma de tierra y protegido.
- Use SOLAMENTE los soportes de colgar/montar para mover este producto.
- En caso de un problema grave de funcionamiento, deje de usarlo inmediatamente.
- La máxima temperatura ambiente es de 113 °F (45 °C). No haga funcionar este producto a temperaturas más altas.

Cumplimiento de la FCC

Este dispositivo cumple la parte 15, parte B de las normas FCC. El funcionamiento está supeditado al cumplimiento de estas dos condiciones:

1. Este dispositivo no puede causar interferencias perjudiciales; y
2. Este dispositivo debe aceptar cualquier interferencia recibida, incluyendo las interferencias que puedan causar un funcionamiento no deseado.

Cualquier cambio o modificación que no haya sido expresamente autorizado por la parte responsable de conformidad puede anular la potestad del usuario para hacer funcionar el equipo.

Contacto

Fuera de EE. UU., Reino Unido, Irlanda, Benelux, Francia, Alemania o México póngase en contacto con su distribuidor para solicitar asistencia o devolver un producto. Consulte [Contact Us](#) al final de este GRR para información de contacto.

Qué va Incluido

- Rogue R2X Wash con pantalla antirreflectante
- Cable de alimentación Neutrik® powerCON®
- Soporte Omega
- Guía de Referencia Rápida

Corriente Alterna

Este producto tiene una fuente de alimentación con detección automática que puede funcionar con un rango de tensión de entrada de 100 a 240 VCA, 50/60 Hz.

Alimentación en Cadena

Puede enlazar hasta 4 productos Rogue R2X Wash a 120 V, 8 productos a 208 V o 9 productos a 230 V. Los cables de alimentación en cadena se pueden adquirir por separado.

Enchufe CA

Conexión	Cable (EE.UU.)	Cable (Europa)	Color del tornillo
CA Cargado	Negro	Marrón	Amarillo/Latón
CA Neutro	Blanco	Azul	Plata
CA Tierra	Verde/Amarillo	Verde/Amarillo	Verde



Para evitar un desgaste innecesario y alargar su vida útil, desconecte complemente el producto de la alimentación, mediante el interruptor o desenchufándolo, durante los periodos en los que no se use.

Sustitución del Fusible

1. Desconecte este producto de la alimentación.
2. Utilizando un destornillador plano, desatornille la tapa del portafusibles de la carcasa.
3. Quite el fusible fundido del portafusibles y sustitúyalo con uno nuevo del mismo tipo y categoría.
4. Vuelva a atornillar la tapa del portafusibles en su sitio y conecte de nuevo la alimentación.

Enlace DMX

El Rogue R2X Wash funcionará con un controlador DMX usando una conexión serie DMX de 5 o 3 pines. Hay un Manual DMX disponible en www.chauvetprofessional.com.

Conexión DMX

El Rogue R2X Wash usa una conexión de datos DMX normal para sus personalidades: **15CH**, **17CH**, **22CH**, **33CH**, **33CH MS**, **54CH**, **54CH MS** y **56CH**. Vea el Manual de Usuario para conectar y configurar para funcionamiento DMX.

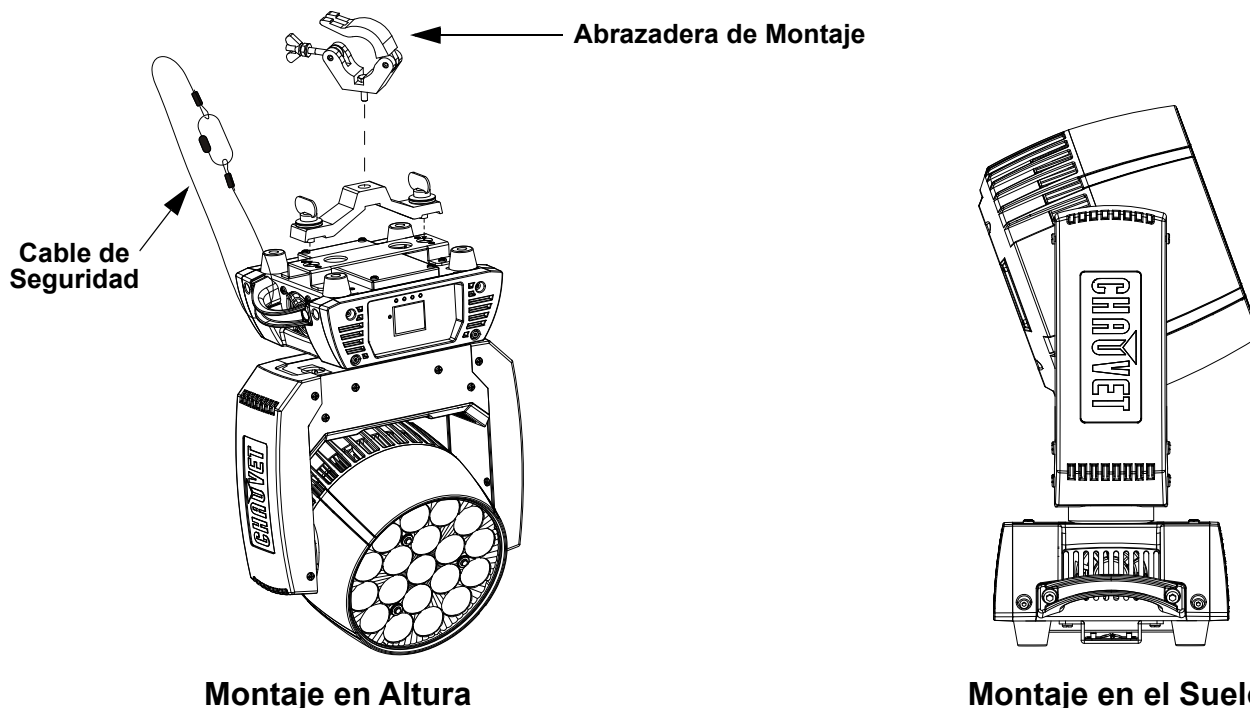
RDM (gestión remota del dispositivo)

Remote Device Management (gestión remota del dispositivo) o RDM, es un estándar que permite a los dispositivos con capacidad DMX una comunicación bidireccional por un cableado DMX existente. El Rogue R2X Wash admite protocolo RDM, que posibilita información para supervisar cambiar las opciones del mapa de menú. Descargue el manual de usuario de www.chauvetprofessional.com para una información más detallada.

Montaje

Antes de montar este producto, lea las [Notas de Seguridad](#). Utilice al menos un punto de montaje por producto. Asegúrese de que las abrazaderas de montaje son capaces de soportar el peso del producto. Para nuestra línea Chauvet de abrazaderas de montaje, visite <http://trusst.com/productcategory/truss-clamps/>.

Diagrama de Montaje del Producto



Cuando use una abrazadera de montaje, asegúrese de usar una abrazadera con tornillo prisionero para evitar que se afloje accidentalmente.

Descripción del Panel de Control

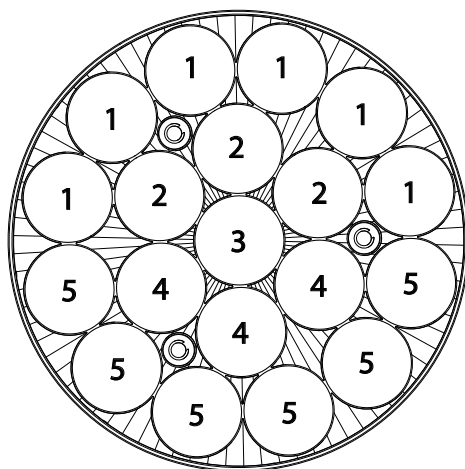
Botón	Función
<MENU>	Sale del menú o función actual
<ENTER>	Habilita el menú actualmente en pantalla o configura el valor seleccionado actualmente dentro de la función seleccionada
<UP>	Navega hacia arriba por la lista de menú y aumenta el valor numérico cuando está en una función
<DOWN>	Navega hacia abajo por la lista de menú y disminuye el valor numérico cuando está en una función

Mapa de Menú

Nivel principal	Niveles de Programación		Descripción	
Address	001–512		Configura la dirección de inicio	
Run Mode	DMX	14CH	Selecciona la personalidad DMX	
		15CH		
		19CH		
		21CH		
	Auto Test		Prueba automática de todas las funciones	
	Manual Test	Pan	000–255	Controlar y probar todas las funciones a través del panel de control
		Tilt		
		Dimmer		
		Shutter		
		Red		
Green				
Blue				
White				
Zoom				
Setup	Pan Reverse	OFF	Panorámica normal	
		ON	Panorámica inversa	
	Tilt Reverse	OFF	Inclinación normal	
		ON	Inclinación inversa	
	Pan Angle	540	Rango de panorámica: 540°	
		360	Rango de panorámica: 360°	
		180	Rango de panorámica: 180°	
	Tilt Angle	230	Rango de inclinación: 230°	
		180	Rango de inclinación: 180°	
		90	Rango de inclinación: 90°	
	Fans	Auto	Velocidad del ventilador según la temperatura del producto	
		ECO	Modo silencioso	
		Full	Velocidad del ventilador siempre alta	
	Display	OFF	La pantalla se apaga	
		ON	La pantalla permanece encendida	
	Screen Rev	OFF	Pantalla normal	
		ON	Pantalla inversa	
	Dimmer Curve	Linear	Configura la curva del atenuador	
Square				
I Squa				
SCurve				
Dimmer Speed	Smooth	Velocidad de atenuador suave		
	Fast	Velocidad de atenuador rápido		
LED R POWER	050–100	Establece la potencia de los LED rojos		
LED G POWER	050–100	Establece la potencia de los LED verdes		
LED B POWER	050–100	Establece la potencia de los LED azules		
LED W POWER	050–100	Establece la potencia de los LED blancos		

Nivel principal	Niveles de Programación			Descripción	
Setup (cont.)	Color Calibration	Off		Utiliza los valores máximos de salida	
		On		Utiliza la configuración de blanco predeterminada de fábrica	
		Custom	RED	100–255	Establece el valor máximo de LED rojo
			GREEN		Establece el valor máximo de LED verde
	BLUE		Establece el valor máximo de LED azul		
	Reset Function	Pan/Tilt	NO	Restablece las funciones individuales o todas las funciones desde el arranque	
			YES		
		Zoom	NO		
			YES		
	All	NO			
YES					
Factory Set			Restablece el dispositivo a la configuración de fábrica		
Sys Info	System Information	Ver	V_	Muestra la versión de firmware	
		Running Mode	---	Muestra el modo de ejecución actual	
		DMX Address	---	Muestra la dirección de inicio actual	
		Temperature	---	Muestra la temperatura del producto en °C	
		Fixture Time	-----	Muestra el número de horas que el producto ha estado encendido	
		UID:	-----	Muestra el UID del producto	

Rogue R2X Wash Zonas para control DMX



Valores DMX
56CH

Canal	Función	Valor	Porcentaje/Configuración
1	Panorámica	000 ⇔ 255	0–100%
2	Panorámica fino	000 ⇔ 255	Control fino (16 bits)
3	Inclinación	000 ⇔ 255	0–100%
4	Inclinación fino	000 ⇔ 255	Control fino (16 bits)
5	Velocidad de pan/inclina	000 ⇔ 255	Rápido a lento
6	Atenuador	000 ⇔ 255	0–100%
7	Atenuador fino	000 ⇔ 255	Control fino (16 bits)

Canal	Función	Valor	Porcentaje/Configuración
8	Estroboscopio	000 ⇔ 019	Apagado
		020 ⇔ 024	Encendido
		025 ⇔ 064	Estroboscopio, rápido a lento
		065 ⇔ 069	Encendido
		070 ⇔ 084	Encender rápidamente, apaga lentamente (rápido a lento)
		085 ⇔ 089	Encendido
		090 ⇔ 104	Encender lentamente, apaga rápidamente (rápido a lento)
		105 ⇔ 109	Encendido
		110 ⇔ 124	Estroboscopio aleatorio, rápido a lento
		125 ⇔ 129	Encendido
		130 ⇔ 144	Aleatorio: Encender rápidamente, apaga lentamente (rápido a lento)
		145 ⇔ 149	Encendido
		150 ⇔ 164	Aleatorio: Encender lentamente, apaga rápidamente (rápido a lento)
		165 ⇔ 169	Encendido
		170 ⇔ 184	Estroboscopio pulso, rápido a lento
		184 ⇔ 189	Encendido
		190 ⇔ 204	Estroboscopio pulso aleatorio, rápido a lento
205 ⇔ 209	Encendido		
210 ⇔ 224	Encender lentamente, apaga lentamente (rápido a lento)		
225 ⇔ 229	Encendido		
230 ⇔ 244	Estroboscopio pulso, rápido a lento		
245 ⇔ 255	Encendido		
9	Rojo 1	000 ⇔ 255	0–100%
10	Rojo fino 1	000 ⇔ 255	Control fino (16 bits)
11	Verde 1	000 ⇔ 255	0–100%
12	Verde fino 1	000 ⇔ 255	Control fino (16 bits)
13	Azul 1	000 ⇔ 255	0–100%
14	Azul fino 1	000 ⇔ 255	Control fino (16 bits)
15	Blanco 1	000 ⇔ 255	0–100%
16	Blanco fino 1	000 ⇔ 255	Control fino (16 bits)
17	Rojo 2	000 ⇔ 255	0–100%
18	Rojo fino 2	000 ⇔ 255	Control fino (16 bits)
19	Verde 2	000 ⇔ 255	0–100%
20	Verde fino 2	000 ⇔ 255	Control fino (16 bits)
21	Azul 2	000 ⇔ 255	0–100%
22	Azul fino 2	000 ⇔ 255	Control fino (16 bits)
23	Blanco 2	000 ⇔ 255	0–100%
24	Blanco fino 2	000 ⇔ 255	Control fino (16 bits)
25	Rojo 3	000 ⇔ 255	0–100%
26	Rojo fino 3	000 ⇔ 255	Control fino (16 bits)
27	Verde 3	000 ⇔ 255	0–100%
28	Verde fino 3	000 ⇔ 255	Control fino (16 bits)
29	Azul 3	000 ⇔ 255	0–100%
30	Azul fino 3	000 ⇔ 255	Control fino (16 bits)
31	Blanco 3	000 ⇔ 255	0–100%
32	Blanco fino 3	000 ⇔ 255	Control fino (16 bits)
33	Rojo 4	000 ⇔ 255	0–100%
34	Rojo fino 4	000 ⇔ 255	Control fino (16 bits)
35	Verde 4	000 ⇔ 255	0–100%
36	Verde fino 4	000 ⇔ 255	Control fino (16 bits)
37	Azul 4	000 ⇔ 255	0–100%
38	Azul fino 4	000 ⇔ 255	Control fino (16 bits)
39	Blanco 4	000 ⇔ 255	0–100%
40	Blanco fino 4	000 ⇔ 255	Control fino (16 bits)
41	Rojo 5	000 ⇔ 255	0–100%

GUÍA DE REFERENCIA RÁPIDA



ES

Canal	Función	Valor	Porcentaje/Configuración
42	Rojo fino 5	000 ⇔ 255	Control fino (16 bits)
43	Verde 5	000 ⇔ 255	0–100%
44	Verde fino 5	000 ⇔ 255	Control fino (16 bits)
45	Azul 5	000 ⇔ 255	0–100%
46	Azul fino 5	000 ⇔ 255	Control fino (16 bits)
47	Blanco 5	000 ⇔ 255	0–100%
48	Blanco fino 5	000 ⇔ 255	Control fino (16 bits)
49	Color	000 ⇔ 004	Sin función
		005 ⇔ 009	Color 1
		010 ⇔ 014	Color 2
		015 ⇔ 019	Color 3
		020 ⇔ 024	Color 4
		025 ⇔ 029	Color 5
		030 ⇔ 034	Color 6
		035 ⇔ 039	Color 7
		040 ⇔ 044	Color 8
		045 ⇔ 049	Color 9
		050 ⇔ 054	Color 10
		055 ⇔ 059	Color 11
		060 ⇔ 064	Color 12
		065 ⇔ 069	Color 13
		070 ⇔ 074	Color 14
		075 ⇔ 079	Color 15
		080 ⇔ 084	Color 16
		085 ⇔ 089	Color 17
		090 ⇔ 094	Color 18
		095 ⇔ 099	Color 19
		100 ⇔ 104	Color 20
		105 ⇔ 109	Color 21
		110 ⇔ 114	Color 22
		115 ⇔ 119	Color 23
		120 ⇔ 124	Color 24
		125 ⇔ 129	Color 25
		130 ⇔ 134	Color 26
		135 ⇔ 139	Color 27
		140 ⇔ 144	Color 28
		145 ⇔ 149	Color 29
		150 ⇔ 154	Color 30
		155 ⇔ 159	Color 31
		160 ⇔ 164	Color 32
165 ⇔ 169	Color 33		
170 ⇔ 174	Color 34		
175 ⇔ 179	Sin función		
180 ⇔ 201	Desplazamiento de color, rápido a lento		
202 ⇔ 207	Mantener		
208 ⇔ 229	Desplazamiento inverso de color, rápido a lento		
230 ⇔ 234	Sin función		
235 ⇔ 249	Cambio instantáneo de color, rápido a lento		
250 ⇔ 255	Sin función		

Canal	Función	Valor	Porcentaje/Configuración
50	Selección de zona	000 ⇔ 007	Zona 1, 2, 3, 4, 5
		008 ⇔ 015	Zona 2, 3, 4, 5
		016 ⇔ 023	Zona 3, 4, 5
		024 ⇔ 031	Zona 4, 5
		032 ⇔ 039	Zona 5
		040 ⇔ 047	Sin función
		048 ⇔ 055	Zona 1
		056 ⇔ 063	Zona 1, 2
		064 ⇔ 071	Zona 1, 2, 3
		072 ⇔ 079	Zona 1, 2, 3, 4
		080 ⇔ 087	Zona 1, 2, 3, 4, 5
		088 ⇔ 095	Zona 1
		096 ⇔ 103	Zona 2
		104 ⇔ 111	Zona 3
		112 ⇔ 119	Zona 4
		120 ⇔ 127	Zona 5
		128 ⇔ 135	Zona 1, 2
		136 ⇔ 143	Zona 2, 3
		144 ⇔ 151	Zona 3, 4
		152 ⇔ 159	Zona 4, 5
		160 ⇔ 167	Zona 1, 5
		168 ⇔ 175	Zona 1, 2, 3
		176 ⇔ 183	Zona 2, 3, 4
		184 ⇔ 191	Zona 3, 4, 5
		192 ⇔ 199	Zona 1, 4, 5
		200 ⇔ 207	Zona 1, 2, 5
		208 ⇔ 215	Zona 1, 2, 3, 4
		216 ⇔ 223	Zona 2, 3, 4, 5
		224 ⇔ 231	Zona 1, 3, 4, 5
		232 ⇔ 239	Zona 1, 2, 4, 5
240 ⇔ 247	Zona 1, 2, 3, 5		
248 ⇔ 255	Zona 1, 2, 3, 4, 5		

GUÍA DE REFERENCIA RÁPIDA



ES

Canal	Función	Valor	Porcentaje/Configuración
51	Programas	000 ⇔ 015	Sin función
		016 ⇔ 020	Macro círculo 1
		021 ⇔ 025	Macro círculo 2
		026 ⇔ 030	Macro círculo 3
		031 ⇔ 035	Macro círculo 4
		036 ⇔ 040	Macro círculo 5
		041 ⇔ 045	Macro círculo 6
		046 ⇔ 050	Macro círculo 7
		051 ⇔ 055	Macro círculo 8
		056 ⇔ 060	Macro círculo 9
		061 ⇔ 065	Macro círculo 10
		066 ⇔ 070	Macro círculo 11
		071 ⇔ 075	Macro círculo 12
		076 ⇔ 080	Macro círculo 13
		081 ⇔ 085	Macro círculo 14
		086 ⇔ 090	Macro círculo 15
		091 ⇔ 095	Macro círculo 16
		096 ⇔ 100	Macro círculo 17
		101 ⇔ 105	Macro círculo 18
		106 ⇔ 110	Macro círculo 19
		111 ⇔ 115	Macro círculo 20
		116 ⇔ 120	Macro círculo 21
		121 ⇔ 125	Macro círculo 22
		126 ⇔ 130	Macro círculo 23
		131 ⇔ 135	Macro círculo 24
		136 ⇔ 140	Macro círculo de color 1
		141 ⇔ 145	Macro círculo de color 2
		146 ⇔ 150	Macro círculo de color 3
		151 ⇔ 155	Macro círculo de color 4
		156 ⇔ 160	Macro círculo de color 5
		161 ⇔ 165	Macro círculo de color 6
		166 ⇔ 170	Macro círculo de color 7
		171 ⇔ 175	Macro círculo de color 8
		176 ⇔ 180	Macro círculo de color 9
		181 ⇔ 185	Macro círculo de color 10
		186 ⇔ 190	Macro círculo de color 11
		191 ⇔ 195	Macro círculo de color 12
		196 ⇔ 200	Macro círculo de color 13
		201 ⇔ 205	Macro círculo de color 14
		206 ⇔ 210	Macro círculo de color 15
		211 ⇔ 215	Macro círculo de color 16
		216 ⇔ 220	Macro círculo de color 17
		221 ⇔ 225	Macro círculo de color 18
		226 ⇔ 230	Macro círculo de color 19
		231 ⇔ 235	Macro círculo de color 20
		236 ⇔ 240	Macro círculo de color 21
		241 ⇔ 245	Macro círculo de color 22
		246 ⇔ 250	Macro círculo de color 23
251 ⇔ 255	Macro círculo de color 24		
52	Velocidad automática	000 ⇔ 255	0–100%

Canal	Función	Valor	Porcentaje/Configuración
53	Macros de movimiento	000 ⇔ 007	Sin función
		008 ⇔ 023	Macro de movimiento 1
		024 ⇔ 039	Macro de movimiento 2
		040 ⇔ 055	Macro de movimiento 3
		056 ⇔ 071	Macro de movimiento 4
		072 ⇔ 087	Macro de movimiento 5
		088 ⇔ 103	Macro de movimiento 6
		104 ⇔ 119	Macro de movimiento 7
		120 ⇔ 135	Macro de movimiento 8
		136 ⇔ 151	Macro de movimiento 9
		152 ⇔ 167	Macro de movimiento 10
		168 ⇔ 183	Macro de movimiento 11
		184 ⇔ 199	Macro de movimiento 12
		200 ⇔ 215	Macro de movimiento 13
		216 ⇔ 231	Macro de movimiento 14
		232 ⇔ 247	Macro de movimiento 15
248 ⇔ 255	Macro de movimiento 16		
54	Velocidad de macro de movimiento	000 ⇔ 255	Velocidad de macro de movimiento, rápido a lento
55	Zoom	000 ⇔ 255	0–100%
56	Control (5 segundos de retraso de activación)	000 ⇔ 009	Sin función
		010 ⇔ 014	Oscuro durante panorámica/inclinación
		015 ⇔ 049	Sin función
		050 ⇔ 054	Reiniciar panorámica
		055 ⇔ 059	Reiniciar inclinación
		060 ⇔ 064	Reiniciar zoom
		065 ⇔ 069	Sin función
		070 ⇔ 074	Reiniciar todos
		075 ⇔ 079	Sin función
		080 ⇔ 084	Movimiento panorámico y inclinación inversa
		085 ⇔ 089	Movimiento panorámico inversa
		090 ⇔ 094	Movimiento inclinación inversa
		095 ⇔ 099	Movimiento panorámico normal
		100 ⇔ 104	Movimiento inclinación normal
		105 ⇔ 109	Movimiento panorámico y inclinación normal
		110 ⇔ 119	Sin función
		120 ⇔ 124	Modo de ventilador ECO
		125 ⇔ 129	Velocidad de ventilador máxima
		130 ⇔ 134	Ventilador automático
		135 ⇔ 139	Curva del atenuador rápido
140 ⇔ 144	Curva del atenuador suave		
145 ⇔ 255	Sin función		

54CH

Canal	Función	Valor	Porcentaje/Configuración
1	Panorámica	000 ⇔ 255	0–100%
2	Panorámica fino	000 ⇔ 255	Control fino (16 bits)
3	Inclinación	000 ⇔ 255	0–100%
4	Inclinación fino	000 ⇔ 255	Control fino (16 bits)
5	Velocidad de pan/inclina	000 ⇔ 255	Rápido a lento
6	Atenuador	000 ⇔ 255	0–100%
7	Atenuador fino	000 ⇔ 255	Control fino (16 bits)

Canal	Función	Valor	Porcentaje/Configuración
8	Estroboscopio	000 ⇔ 019	Apagado
		020 ⇔ 024	Encendido
		025 ⇔ 064	Estroboscopio, rápido a lento
		065 ⇔ 069	Encendido
		070 ⇔ 084	Encender rápidamente, apaga lentamente (rápido a lento)
		085 ⇔ 089	Encendido
		090 ⇔ 104	Encender lentamente, apaga rápidamente (rápido a lento)
		105 ⇔ 109	Encendido
		110 ⇔ 124	Estroboscopio aleatorio, rápido a lento
		125 ⇔ 129	Encendido
		130 ⇔ 144	Aleatorio: Encender rápidamente, apaga lentamente (rápido a lento)
		145 ⇔ 149	Encendido
		150 ⇔ 164	Aleatorio: Encender lentamente, apaga rápidamente (rápido a lento)
		165 ⇔ 169	Encendido
		170 ⇔ 184	Estroboscopio pulso, rápido a lento
		184 ⇔ 189	Encendido
		190 ⇔ 204	Estroboscopio pulso aleatorio, rápido a lento
		205 ⇔ 209	Encendido
		210 ⇔ 224	Encender lentamente, apaga lentamente (rápido a lento)
		225 ⇔ 229	Encendido
230 ⇔ 244	Estroboscopio pulso, rápido a lento		
245 ⇔ 255	Encendido		
9	Rojo 1	000 ⇔ 255	0–100%
10	Rojo fino 1	000 ⇔ 255	Control fino (16 bits)
11	Verde 1	000 ⇔ 255	0–100%
12	Verde fino 1	000 ⇔ 255	Control fino (16 bits)
13	Azul 1	000 ⇔ 255	0–100%
14	Azul fino 1	000 ⇔ 255	Control fino (16 bits)
15	Blanco 1	000 ⇔ 255	0–100%
16	Blanco fino 1	000 ⇔ 255	Control fino (16 bits)
17	Rojo 2	000 ⇔ 255	0–100%
18	Rojo fino 2	000 ⇔ 255	Control fino (16 bits)
19	Verde 2	000 ⇔ 255	0–100%
20	Verde fino 2	000 ⇔ 255	Control fino (16 bits)
21	Azul 2	000 ⇔ 255	0–100%
22	Azul fino 2	000 ⇔ 255	Control fino (16 bits)
23	Blanco 2	000 ⇔ 255	0–100%
24	Blanco fino 2	000 ⇔ 255	Control fino (16 bits)
25	Rojo 3	000 ⇔ 255	0–100%
26	Rojo fino 3	000 ⇔ 255	Control fino (16 bits)
27	Verde 3	000 ⇔ 255	0–100%
28	Verde fino 3	000 ⇔ 255	Control fino (16 bits)
29	Azul 3	000 ⇔ 255	0–100%
30	Azul fino 3	000 ⇔ 255	Control fino (16 bits)
31	Blanco 3	000 ⇔ 255	0–100%
32	Blanco fino 3	000 ⇔ 255	Control fino (16 bits)
33	Rojo 4	000 ⇔ 255	0–100%
34	Rojo fino 4	000 ⇔ 255	Control fino (16 bits)
35	Verde 4	000 ⇔ 255	0–100%
36	Verde fino 4	000 ⇔ 255	Control fino (16 bits)
37	Azul 4	000 ⇔ 255	0–100%
38	Azul fino 4	000 ⇔ 255	Control fino (16 bits)
39	Blanco 4	000 ⇔ 255	0–100%
40	Blanco fino 4	000 ⇔ 255	Control fino (16 bits)
41	Rojo 5	000 ⇔ 255	0–100%

Canal	Función	Valor	Porcentaje/Configuración
42	Rojo fino 5	000 ⇔ 255	Control fino (16 bits)
43	Verde 5	000 ⇔ 255	0–100%
44	Verde fino 5	000 ⇔ 255	Control fino (16 bits)
45	Azul 5	000 ⇔ 255	0–100%
46	Azul fino 5	000 ⇔ 255	Control fino (16 bits)
47	Blanco 5	000 ⇔ 255	0–100%
48	Blanco fino 5	000 ⇔ 255	Control fino (16 bits)
49	Color	000 ⇔ 004	Sin función
		005 ⇔ 009	Color 1
		010 ⇔ 014	Color 2
		015 ⇔ 019	Color 3
		020 ⇔ 024	Color 4
		025 ⇔ 029	Color 5
		030 ⇔ 034	Color 6
		035 ⇔ 039	Color 7
		040 ⇔ 044	Color 8
		045 ⇔ 049	Color 9
		050 ⇔ 054	Color 10
		055 ⇔ 059	Color 11
		060 ⇔ 064	Color 12
		065 ⇔ 069	Color 13
		070 ⇔ 074	Color 14
		075 ⇔ 079	Color 15
		080 ⇔ 084	Color 16
		085 ⇔ 089	Color 17
		090 ⇔ 094	Color 18
		095 ⇔ 099	Color 19
		100 ⇔ 104	Color 20
		105 ⇔ 109	Color 21
		110 ⇔ 114	Color 22
		115 ⇔ 119	Color 23
		120 ⇔ 124	Color 24
		125 ⇔ 129	Color 25
		130 ⇔ 134	Color 26
		135 ⇔ 139	Color 27
		140 ⇔ 144	Color 28
		145 ⇔ 149	Color 29
		150 ⇔ 154	Color 30
155 ⇔ 159	Color 31		
160 ⇔ 164	Color 32		
165 ⇔ 169	Color 33		
170 ⇔ 174	Color 34		
175 ⇔ 179	Sin función		
180 ⇔ 201	Desplazamiento de color, rápido a lento		
202 ⇔ 207	Mantener		
208 ⇔ 229	Desplazamiento inverso de color, rápido a lento		
230 ⇔ 234	Sin función		
235 ⇔ 249	Cambio instantáneo de color, rápido a lento		
250 ⇔ 255	Sin función		

Canal	Función	Valor	Porcentaje/Configuración
50	Selección de zona	000 ⇔ 007	Zona 1, 2, 3, 4, 5
		008 ⇔ 015	Zona 2, 3, 4, 5
		016 ⇔ 023	Zona 3, 4, 5
		024 ⇔ 031	Zona 4, 5
		032 ⇔ 039	Zona 5
		040 ⇔ 047	Sin función
		048 ⇔ 055	Zona 1
		056 ⇔ 063	Zona 1, 2
		064 ⇔ 071	Zona 1, 2, 3
		072 ⇔ 079	Zona 1, 2, 3, 4
		080 ⇔ 087	Zona 1, 2, 3, 4, 5
		088 ⇔ 095	Zona 1
		096 ⇔ 103	Zona 2
		104 ⇔ 111	Zona 3
		112 ⇔ 119	Zona 4
		120 ⇔ 127	Zona 5
		128 ⇔ 135	Zona 1, 2
		136 ⇔ 143	Zona 2, 3
		144 ⇔ 151	Zona 3, 4
		152 ⇔ 159	Zona 4, 5
		160 ⇔ 167	Zona 1, 5
		168 ⇔ 175	Zona 1, 2, 3
		176 ⇔ 183	Zona 2, 3, 4
		184 ⇔ 191	Zona 3, 4, 5
		192 ⇔ 199	Zona 1, 4, 5
		200 ⇔ 207	Zona 1, 2, 5
		208 ⇔ 215	Zona 1, 2, 3, 4
		216 ⇔ 223	Zona 2, 3, 4, 5
		224 ⇔ 231	Zona 1, 3, 4, 5
		232 ⇔ 239	Zona 1, 2, 4, 5
		240 ⇔ 247	Zona 1, 2, 3, 5
		248 ⇔ 255	Zona 1, 2, 3, 4, 5

Canal	Función	Valor	Porcentaje/Configuración
51	Programas	000 ⇔ 015	Sin función
		016 ⇔ 020	Macro círculo 1
		021 ⇔ 025	Macro círculo 2
		026 ⇔ 030	Macro círculo 3
		031 ⇔ 035	Macro círculo 4
		036 ⇔ 040	Macro círculo 5
		041 ⇔ 045	Macro círculo 6
		046 ⇔ 050	Macro círculo 7
		051 ⇔ 055	Macro círculo 8
		056 ⇔ 060	Macro círculo 9
		061 ⇔ 065	Macro círculo 10
		066 ⇔ 070	Macro círculo 11
		071 ⇔ 075	Macro círculo 12
		076 ⇔ 080	Macro círculo 13
		081 ⇔ 085	Macro círculo 14
		086 ⇔ 090	Macro círculo 15
		091 ⇔ 095	Macro círculo 16
		096 ⇔ 100	Macro círculo 17
		101 ⇔ 105	Macro círculo 18
		106 ⇔ 110	Macro círculo 19
		111 ⇔ 115	Macro círculo 20
		116 ⇔ 120	Macro círculo 21
		121 ⇔ 125	Macro círculo 22
		126 ⇔ 130	Macro círculo 23
		131 ⇔ 135	Macro círculo 24
		136 ⇔ 140	Macro círculo de color 1
		141 ⇔ 145	Macro círculo de color 2
		146 ⇔ 150	Macro círculo de color 3
		151 ⇔ 155	Macro círculo de color 4
		156 ⇔ 160	Macro círculo de color 5
		161 ⇔ 165	Macro círculo de color 6
166 ⇔ 170	Macro círculo de color 7		
171 ⇔ 175	Macro círculo de color 8		
176 ⇔ 180	Macro círculo de color 9		
181 ⇔ 185	Macro círculo de color 10		
186 ⇔ 190	Macro círculo de color 11		
191 ⇔ 195	Macro círculo de color 12		
196 ⇔ 200	Macro círculo de color 13		
201 ⇔ 205	Macro círculo de color 14		
206 ⇔ 210	Macro círculo de color 15		
211 ⇔ 215	Macro círculo de color 16		
216 ⇔ 220	Macro círculo de color 17		
221 ⇔ 225	Macro círculo de color 18		
226 ⇔ 230	Macro círculo de color 19		
231 ⇔ 235	Macro círculo de color 20		
236 ⇔ 240	Macro círculo de color 21		
241 ⇔ 245	Macro círculo de color 22		
246 ⇔ 250	Macro círculo de color 23		
251 ⇔ 255	Macro círculo de color 24		
52	Velocidad automática	000 ⇔ 255	0–100%
53	Zoom	000 ⇔ 255	0–100%

Canal	Función	Valor	Porcentaje/Configuración
54	Control (5 segundos de retraso de activación)	000 ⇔ 009	Sin función
		010 ⇔ 014	Oscuro durante panorámica/inclinación
		015 ⇔ 049	Sin función
		050 ⇔ 054	Reiniciar panorámica
		055 ⇔ 059	Reiniciar inclinación
		060 ⇔ 064	Reiniciar zoom
		065 ⇔ 069	Sin función
		070 ⇔ 074	Reiniciar todos
		075 ⇔ 079	Sin función
		080 ⇔ 084	Movimiento panorámico y inclinación inversa
		085 ⇔ 089	Movimiento panorámico inversa
		090 ⇔ 094	Movimiento inclinación inversa
		095 ⇔ 099	Movimiento panorámico normal
		100 ⇔ 104	Movimiento inclinación normal
		105 ⇔ 109	Movimiento panorámico y inclinación normal
		110 ⇔ 119	Sin función
		120 ⇔ 124	Modo de ventilador ECO
		125 ⇔ 129	Velocidad de ventilador máxima
		130 ⇔ 134	Ventilador automático
		135 ⇔ 139	Curva del atenuador rápido
		140 ⇔ 144	Curva del atenuador suave
145 ⇔ 255	Sin función		

54CH MS

Canal	Función	Valor	Porcentaje/Configuración
1	Panorámica	000 ⇔ 255	0–100%
2	Panorámica fino	000 ⇔ 255	Control fino (16 bits)
3	Inclinación	000 ⇔ 255	0–100%
4	Inclinación fino	000 ⇔ 255	Control fino (16 bits)
5	Velocidad de pan/inclina	000 ⇔ 255	Rápido a lento
6	Atenuador	000 ⇔ 255	0–100%
7	Atenuador fino	000 ⇔ 255	Control fino (16 bits)
8	Estroboscopio	000 ⇔ 019	Apagado
		020 ⇔ 024	Encendido
		025 ⇔ 064	Estroboscopio, rápido a lento
		065 ⇔ 069	Encendido
		070 ⇔ 084	Encender rápidamente, apaga lentamente (rápido a lento)
		085 ⇔ 089	Encendido
		090 ⇔ 104	Encender lentamente, apaga rápidamente (rápido a lento)
		105 ⇔ 109	Encendido
		110 ⇔ 124	Estroboscopio aleatorio, rápido a lento
		125 ⇔ 129	Encendido
		130 ⇔ 144	Aleatorio: Encender rápidamente, apaga lentamente (rápido a lento)
		145 ⇔ 149	Encendido
		150 ⇔ 164	Aleatorio: Encender lentamente, apaga rápidamente (rápido a lento)
		165 ⇔ 169	Encendido
		170 ⇔ 184	Estroboscopio pulso, rápido a lento
		184 ⇔ 189	Encendido
		190 ⇔ 204	Estroboscopio pulso aleatorio, rápido a lento
		205 ⇔ 209	Encendido
		210 ⇔ 224	Encender lentamente, apaga lentamente (rápido a lento)
		225 ⇔ 229	Encendido
230 ⇔ 244	Estroboscopio pulso, rápido a lento		
245 ⇔ 255	Encendido		

Canal	Función	Valor	Porcentaje/Configuración
9	Color	000 ⇔ 004	Sin función
		005 ⇔ 009	Color 1
		010 ⇔ 014	Color 2
		015 ⇔ 019	Color 3
		020 ⇔ 024	Color 4
		025 ⇔ 029	Color 5
		030 ⇔ 034	Color 6
		035 ⇔ 039	Color 7
		040 ⇔ 044	Color 8
		045 ⇔ 049	Color 9
		050 ⇔ 054	Color 10
		055 ⇔ 059	Color 11
		060 ⇔ 064	Color 12
		065 ⇔ 069	Color 13
		070 ⇔ 074	Color 14
		075 ⇔ 079	Color 15
		080 ⇔ 084	Color 16
		085 ⇔ 089	Color 17
		090 ⇔ 094	Color 18
		095 ⇔ 099	Color 19
		100 ⇔ 104	Color 20
		105 ⇔ 109	Color 21
		110 ⇔ 114	Color 22
		115 ⇔ 119	Color 23
		120 ⇔ 124	Color 24
		125 ⇔ 129	Color 25
		130 ⇔ 134	Color 26
		135 ⇔ 139	Color 27
		140 ⇔ 144	Color 28
		145 ⇔ 149	Color 29
		150 ⇔ 154	Color 30
		155 ⇔ 159	Color 31
		160 ⇔ 164	Color 32
		165 ⇔ 169	Color 33
170 ⇔ 174	Color 34		
175 ⇔ 179	Sin función		
180 ⇔ 201	Desplazamiento de color, rápido a lento		
202 ⇔ 207	Mantener		
208 ⇔ 229	Desplazamiento inverso de color, rápido a lento		
230 ⇔ 234	Sin función		
235 ⇔ 249	Cambio instantáneo de color, rápido a lento		
250 ⇔ 255	Sin función		

Canal	Función	Valor	Porcentaje/Configuración
10	Selección de zona	000 ⇔ 007	Zona 1, 2, 3, 4, 5
		008 ⇔ 015	Zona 2, 3, 4, 5
		016 ⇔ 023	Zona 3, 4, 5
		024 ⇔ 031	Zona 4, 5
		032 ⇔ 039	Zona 5
		040 ⇔ 047	Sin función
		048 ⇔ 055	Zona 1
		056 ⇔ 063	Zona 1, 2
		064 ⇔ 071	Zona 1, 2, 3
		072 ⇔ 079	Zona 1, 2, 3, 4
		080 ⇔ 087	Zona 1, 2, 3, 4, 5
		088 ⇔ 095	Zona 1
		096 ⇔ 103	Zona 2
		104 ⇔ 111	Zona 3
		112 ⇔ 119	Zona 4
		120 ⇔ 127	Zona 5
		128 ⇔ 135	Zona 1, 2
		136 ⇔ 143	Zona 2, 3
		144 ⇔ 151	Zona 3, 4
		152 ⇔ 159	Zona 4, 5
		160 ⇔ 167	Zona 1, 5
		168 ⇔ 175	Zona 1, 2, 3
		176 ⇔ 183	Zona 2, 3, 4
		184 ⇔ 191	Zona 3, 4, 5
		192 ⇔ 199	Zona 1, 4, 5
		200 ⇔ 207	Zona 1, 2, 5
		208 ⇔ 215	Zona 1, 2, 3, 4
		216 ⇔ 223	Zona 2, 3, 4, 5
		224 ⇔ 231	Zona 1, 3, 4, 5
		232 ⇔ 239	Zona 1, 2, 4, 5
		240 ⇔ 247	Zona 1, 2, 3, 5
		248 ⇔ 255	Zona 1, 2, 3, 4, 5

Canal	Función	Valor	Porcentaje/Configuración
11	Programas	000 ⇔ 015	Sin función
		016 ⇔ 020	Macro círculo 1
		021 ⇔ 025	Macro círculo 2
		026 ⇔ 030	Macro círculo 3
		031 ⇔ 035	Macro círculo 4
		036 ⇔ 040	Macro círculo 5
		041 ⇔ 045	Macro círculo 6
		046 ⇔ 050	Macro círculo 7
		051 ⇔ 055	Macro círculo 8
		056 ⇔ 060	Macro círculo 9
		061 ⇔ 065	Macro círculo 10
		066 ⇔ 070	Macro círculo 11
		071 ⇔ 075	Macro círculo 12
		076 ⇔ 080	Macro círculo 13
		081 ⇔ 085	Macro círculo 14
		086 ⇔ 090	Macro círculo 15
		091 ⇔ 095	Macro círculo 16
		096 ⇔ 100	Macro círculo 17
		101 ⇔ 105	Macro círculo 18
		106 ⇔ 110	Macro círculo 19
		111 ⇔ 115	Macro círculo 20
		116 ⇔ 120	Macro círculo 21
		121 ⇔ 125	Macro círculo 22
		126 ⇔ 130	Macro círculo 23
		131 ⇔ 135	Macro círculo 24
		136 ⇔ 140	Macro círculo de color 1
		141 ⇔ 145	Macro círculo de color 2
		146 ⇔ 150	Macro círculo de color 3
		151 ⇔ 155	Macro círculo de color 4
		156 ⇔ 160	Macro círculo de color 5
		161 ⇔ 165	Macro círculo de color 6
166 ⇔ 170	Macro círculo de color 7		
171 ⇔ 175	Macro círculo de color 8		
176 ⇔ 180	Macro círculo de color 9		
181 ⇔ 185	Macro círculo de color 10		
186 ⇔ 190	Macro círculo de color 11		
191 ⇔ 195	Macro círculo de color 12		
196 ⇔ 200	Macro círculo de color 13		
201 ⇔ 205	Macro círculo de color 14		
206 ⇔ 210	Macro círculo de color 15		
211 ⇔ 215	Macro círculo de color 16		
216 ⇔ 220	Macro círculo de color 17		
221 ⇔ 225	Macro círculo de color 18		
226 ⇔ 230	Macro círculo de color 19		
231 ⇔ 235	Macro círculo de color 20		
236 ⇔ 240	Macro círculo de color 21		
241 ⇔ 245	Macro círculo de color 22		
246 ⇔ 250	Macro círculo de color 23		
251 ⇔ 255	Macro círculo de color 24		
12	Velocidad automática	000 ⇔ 255	0–100%
13	Zoom	000 ⇔ 255	0–100%

Canal	Función	Valor	Porcentaje/Configuración
14	Control (5 segundos de retraso de activación)	000 ⇔ 009	Sin función
		010 ⇔ 014	Oscuro durante panorámica/inclinación
		015 ⇔ 049	Sin función
		050 ⇔ 054	Reiniciar panorámica
		055 ⇔ 059	Reiniciar inclinación
		060 ⇔ 064	Reiniciar zoom
		065 ⇔ 069	Sin función
		070 ⇔ 074	Reiniciar todos
		075 ⇔ 079	Sin función
		080 ⇔ 084	Movimiento panorámico y inclinación inversa
		085 ⇔ 089	Movimiento panorámico inversa
		090 ⇔ 094	Movimiento inclinación inversa
		095 ⇔ 099	Movimiento panorámico normal
		100 ⇔ 104	Movimiento inclinación normal
		105 ⇔ 109	Movimiento panorámico y inclinación normal
		110 ⇔ 119	Sin función
		120 ⇔ 124	Modo de ventilador ECO
		125 ⇔ 129	Velocidad de ventilador máxima
		130 ⇔ 134	Ventilador automático
		135 ⇔ 139	Curva del atenuador rápido
140 ⇔ 144	Curva del atenuador suave		
145 ⇔ 255	Sin función		
15	Rojo 1	000 ⇔ 255	0–100%
16	Rojo fino 1	000 ⇔ 255	Control fino (16 bits)
17	Verde 1	000 ⇔ 255	0–100%
18	Verde fino 1	000 ⇔ 255	Control fino (16 bits)
19	Azul 1	000 ⇔ 255	0–100%
20	Azul fino 1	000 ⇔ 255	Control fino (16 bits)
21	Blanco 1	000 ⇔ 255	0–100%
22	Blanco fino 1	000 ⇔ 255	Control fino (16 bits)
23	Rojo 2	000 ⇔ 255	0–100%
24	Rojo fino 2	000 ⇔ 255	Control fino (16 bits)
25	Verde 2	000 ⇔ 255	0–100%
26	Verde fino 2	000 ⇔ 255	Control fino (16 bits)
27	Azul 2	000 ⇔ 255	0–100%
28	Azul fino 2	000 ⇔ 255	Control fino (16 bits)
29	Blanco 2	000 ⇔ 255	0–100%
30	Blanco fino 2	000 ⇔ 255	Control fino (16 bits)
31	Rojo 3	000 ⇔ 255	0–100%
32	Rojo fino 3	000 ⇔ 255	Control fino (16 bits)
33	Verde 3	000 ⇔ 255	0–100%
34	Verde fino 3	000 ⇔ 255	Control fino (16 bits)
35	Azul 3	000 ⇔ 255	0–100%
36	Azul fino 3	000 ⇔ 255	Control fino (16 bits)
37	Blanco 3	000 ⇔ 255	0–100%
38	Blanco fino 3	000 ⇔ 255	Control fino (16 bits)
39	Rojo 4	000 ⇔ 255	0–100%
40	Rojo fino 4	000 ⇔ 255	Control fino (16 bits)
41	Verde 4	000 ⇔ 255	0–100%
42	Verde fino 4	000 ⇔ 255	Control fino (16 bits)
43	Azul 4	000 ⇔ 255	0–100%
44	Azul fino 4	000 ⇔ 255	Control fino (16 bits)
45	Blanco 4	000 ⇔ 255	0–100%
46	Blanco fino 4	000 ⇔ 255	Control fino (16 bits)
47	Rojo 5	000 ⇔ 255	0–100%

Canal	Función	Valor	Porcentaje/Configuración
48	Rojo fino 5	000 ⇔ 255	Control fino (16 bits)
49	Verde 5	000 ⇔ 255	0–100%
50	Verde fino 5	000 ⇔ 255	Control fino (16 bits)
51	Azul 5	000 ⇔ 255	0–100%
52	Azul fino 5	000 ⇔ 255	Control fino (16 bits)
53	Blanco 5	000 ⇔ 255	0–100%
54	Blanco fino 5	000 ⇔ 255	Control fino (16 bits)

33CH

Canal	Función	Valor	Porcentaje/Configuración
1	Panorámica	000 ⇔ 255	0–100%
2	Panorámica fino	000 ⇔ 255	Control fino (16 bits)
3	Inclinación	000 ⇔ 255	0–100%
4	Inclinación fino	000 ⇔ 255	Control fino (16 bits)
5	Velocidad de pan/inclina	000 ⇔ 255	Rápido a lento
6	Atenuador	000 ⇔ 255	0–100%
7	Estroboscopio	000 ⇔ 019	Apagado
		020 ⇔ 024	Encendido
		025 ⇔ 064	Estroboscopio, rápido a lento
		065 ⇔ 069	Encendido
		070 ⇔ 084	Encender rápidamente, apaga lentamente (rápido a lento)
		085 ⇔ 089	Encendido
		090 ⇔ 104	Encender lentamente, apaga rápidamente (rápido a lento)
		105 ⇔ 109	Encendido
		110 ⇔ 124	Estroboscopio aleatorio, rápido a lento
		125 ⇔ 129	Encendido
		130 ⇔ 144	Aleatorio: Encender rápidamente, apaga lentamente (rápido a lento)
		145 ⇔ 149	Encendido
		150 ⇔ 164	Aleatorio: Encender lentamente, apaga rápidamente (rápido a lento)
		165 ⇔ 169	Encendido
		170 ⇔ 184	Estroboscopio pulso, rápido a lento
184 ⇔ 189	Encendido		
190 ⇔ 204	Estroboscopio pulso aleatorio, rápido a lento		
205 ⇔ 209	Encendido		
210 ⇔ 224	Encender lentamente, apaga lentamente (rápido a lento)		
225 ⇔ 229	Encendido		
230 ⇔ 244	Estroboscopio pulso, rápido a lento		
245 ⇔ 255	Encendido		
8	Rojo 1	000 ⇔ 255	0–100%
9	Verde 1	000 ⇔ 255	0–100%
10	Azul 1	000 ⇔ 255	0–100%
11	Blanco 1	000 ⇔ 255	0–100%
12	Rojo 2	000 ⇔ 255	0–100%
13	Verde 2	000 ⇔ 255	0–100%
14	Azul 2	000 ⇔ 255	0–100%
15	Blanco 2	000 ⇔ 255	0–100%
16	Rojo 3	000 ⇔ 255	0–100%
17	Verde 3	000 ⇔ 255	0–100%
18	Azul 3	000 ⇔ 255	0–100%
19	Blanco 3	000 ⇔ 255	0–100%
20	Rojo 4	000 ⇔ 255	0–100%
21	Verde 4	000 ⇔ 255	0–100%
22	Azul 4	000 ⇔ 255	0–100%
23	Blanco 4	000 ⇔ 255	0–100%
24	Rojo 5	000 ⇔ 255	0–100%

GUÍA DE REFERENCIA RÁPIDA



ES

Canal	Función	Valor	Porcentaje/Configuración
25	Verde 5	000 ⇔ 255	0–100%
26	Azul 5	000 ⇔ 255	0–100%
27	Blanco 5	000 ⇔ 255	0–100%
28	Color	000 ⇔ 004	Sin función
		005 ⇔ 009	Color 1
		010 ⇔ 014	Color 2
		015 ⇔ 019	Color 3
		020 ⇔ 024	Color 4
		025 ⇔ 029	Color 5
		030 ⇔ 034	Color 6
		035 ⇔ 039	Color 7
		040 ⇔ 044	Color 8
		045 ⇔ 049	Color 9
		050 ⇔ 054	Color 10
		055 ⇔ 059	Color 11
		060 ⇔ 064	Color 12
		065 ⇔ 069	Color 13
		070 ⇔ 074	Color 14
		075 ⇔ 079	Color 15
		080 ⇔ 084	Color 16
		085 ⇔ 089	Color 17
		090 ⇔ 094	Color 18
		095 ⇔ 099	Color 19
		100 ⇔ 104	Color 20
		105 ⇔ 109	Color 21
		110 ⇔ 114	Color 22
		115 ⇔ 119	Color 23
		120 ⇔ 124	Color 24
		125 ⇔ 129	Color 25
		130 ⇔ 134	Color 26
		135 ⇔ 139	Color 27
		140 ⇔ 144	Color 28
		145 ⇔ 149	Color 29
		150 ⇔ 154	Color 30
		155 ⇔ 159	Color 31
		160 ⇔ 164	Color 32
		165 ⇔ 169	Color 33
170 ⇔ 174	Color 34		
175 ⇔ 179	Sin función		
180 ⇔ 201	Desplazamiento de color, rápido a lento		
202 ⇔ 207	Mantener		
208 ⇔ 229	Desplazamiento inverso de color, rápido a lento		
230 ⇔ 234	Sin función		
235 ⇔ 249	Cambio instantáneo de color, rápido a lento		
250 ⇔ 255	Sin función		

Canal	Función	Valor	Porcentaje/Configuración
29	Selección de zona	000 ⇔ 007	Zona 1, 2, 3, 4, 5
		008 ⇔ 015	Zona 2, 3, 4, 5
		016 ⇔ 023	Zona 3, 4, 5
		024 ⇔ 031	Zona 4, 5
		032 ⇔ 039	Zona 5
		040 ⇔ 047	Sin función
		048 ⇔ 055	Zona 1
		056 ⇔ 063	Zona 1, 2
		064 ⇔ 071	Zona 1, 2, 3
		072 ⇔ 079	Zona 1, 2, 3, 4
		080 ⇔ 087	Zona 1, 2, 3, 4, 5
		088 ⇔ 095	Zona 1
		096 ⇔ 103	Zona 2
		104 ⇔ 111	Zona 3
		112 ⇔ 119	Zona 4
		120 ⇔ 127	Zona 5
		128 ⇔ 135	Zona 1, 2
		136 ⇔ 143	Zona 2, 3
		144 ⇔ 151	Zona 3, 4
		152 ⇔ 159	Zona 4, 5
		160 ⇔ 167	Zona 1, 5
		168 ⇔ 175	Zona 1, 2, 3
		176 ⇔ 183	Zona 2, 3, 4
		184 ⇔ 191	Zona 3, 4, 5
		192 ⇔ 199	Zona 1, 4, 5
		200 ⇔ 207	Zona 1, 2, 5
		208 ⇔ 215	Zona 1, 2, 3, 4
		216 ⇔ 223	Zona 2, 3, 4, 5
		224 ⇔ 231	Zona 1, 3, 4, 5
		232 ⇔ 239	Zona 1, 2, 4, 5
240 ⇔ 247	Zona 1, 2, 3, 5		
248 ⇔ 255	Zona 1, 2, 3, 4, 5		

GUÍA DE REFERENCIA RÁPIDA



ES

Canal	Función	Valor	Porcentaje/Configuración
30	Programas	000 ⇔ 015	Sin función
		016 ⇔ 020	Macro círculo 1
		021 ⇔ 025	Macro círculo 2
		026 ⇔ 030	Macro círculo 3
		031 ⇔ 035	Macro círculo 4
		036 ⇔ 040	Macro círculo 5
		041 ⇔ 045	Macro círculo 6
		046 ⇔ 050	Macro círculo 7
		051 ⇔ 055	Macro círculo 8
		056 ⇔ 060	Macro círculo 9
		061 ⇔ 065	Macro círculo 10
		066 ⇔ 070	Macro círculo 11
		071 ⇔ 075	Macro círculo 12
		076 ⇔ 080	Macro círculo 13
		081 ⇔ 085	Macro círculo 14
		086 ⇔ 090	Macro círculo 15
		091 ⇔ 095	Macro círculo 16
		096 ⇔ 100	Macro círculo 17
		101 ⇔ 105	Macro círculo 18
		106 ⇔ 110	Macro círculo 19
		111 ⇔ 115	Macro círculo 20
		116 ⇔ 120	Macro círculo 21
		121 ⇔ 125	Macro círculo 22
		126 ⇔ 130	Macro círculo 23
		131 ⇔ 135	Macro círculo 24
		136 ⇔ 140	Macro círculo de color 1
		141 ⇔ 145	Macro círculo de color 2
		146 ⇔ 150	Macro círculo de color 3
		151 ⇔ 155	Macro círculo de color 4
		156 ⇔ 160	Macro círculo de color 5
		161 ⇔ 165	Macro círculo de color 6
		166 ⇔ 170	Macro círculo de color 7
		171 ⇔ 175	Macro círculo de color 8
		176 ⇔ 180	Macro círculo de color 9
		181 ⇔ 185	Macro círculo de color 10
		186 ⇔ 190	Macro círculo de color 11
		191 ⇔ 195	Macro círculo de color 12
		196 ⇔ 200	Macro círculo de color 13
		201 ⇔ 205	Macro círculo de color 14
		206 ⇔ 210	Macro círculo de color 15
		211 ⇔ 215	Macro círculo de color 16
		216 ⇔ 220	Macro círculo de color 17
		221 ⇔ 225	Macro círculo de color 18
		226 ⇔ 230	Macro círculo de color 19
		231 ⇔ 235	Macro círculo de color 20
		236 ⇔ 240	Macro círculo de color 21
		241 ⇔ 245	Macro círculo de color 22
		246 ⇔ 250	Macro círculo de color 23
251 ⇔ 255	Macro círculo de color 24		
31	Velocidad automática	000 ⇔ 255	0–100%
32	Zoom	000 ⇔ 255	0–100%

Canal	Función	Valor	Porcentaje/Configuración
33	Control (5 segundos de retraso de activación)	000 ⇔ 009	Sin función
		010 ⇔ 014	Oscuro durante panorámica/inclinación
		015 ⇔ 049	Sin función
		050 ⇔ 054	Reiniciar panorámica
		055 ⇔ 059	Reiniciar inclinación
		060 ⇔ 064	Reiniciar zoom
		065 ⇔ 069	Sin función
		070 ⇔ 074	Reiniciar todos
		075 ⇔ 079	Sin función
		080 ⇔ 084	Movimiento panorámico y inclinación inversa
		085 ⇔ 089	Movimiento panorámico inversa
		090 ⇔ 094	Movimiento inclinación inversa
		095 ⇔ 099	Movimiento panorámico normal
		100 ⇔ 104	Movimiento inclinación normal
		105 ⇔ 109	Movimiento panorámico y inclinación normal
		110 ⇔ 119	Sin función
		120 ⇔ 124	Modo de ventilador ECO
		125 ⇔ 129	Velocidad de ventilador máxima
		130 ⇔ 134	Ventilador automático
		135 ⇔ 139	Curva del atenuador rápido
140 ⇔ 144	Curva del atenuador suave		
145 ⇔ 255	Sin función		

33CH MS

Canal	Función	Valor	Porcentaje/Configuración
1	Panorámica	000 ⇔ 255	0–100%
2	Panorámica fino	000 ⇔ 255	Control fino (16 bits)
3	Inclinación	000 ⇔ 255	0–100%
4	Inclinación fino	000 ⇔ 255	Control fino (16 bits)
5	Velocidad de pan/inclina	000 ⇔ 255	Rápido a lento
6	Atenuador	000 ⇔ 255	0–100%
7	Estroboscopio	000 ⇔ 019	Apagado
		020 ⇔ 024	Encendido
		025 ⇔ 064	Estroboscopio, rápido a lento
		065 ⇔ 069	Encendido
		070 ⇔ 084	Encender rápidamente, apaga lentamente (rápido a lento)
		085 ⇔ 089	Encendido
		090 ⇔ 104	Encender lentamente, apaga rápidamente (rápido a lento)
		105 ⇔ 109	Encendido
		110 ⇔ 124	Estroboscopio aleatorio, rápido a lento
		125 ⇔ 129	Encendido
		130 ⇔ 144	Aleatorio: Encender rápidamente, apaga lentamente (rápido a lento)
		145 ⇔ 149	Encendido
		150 ⇔ 164	Aleatorio: Encender lentamente, apaga rápidamente (rápido a lento)
		165 ⇔ 169	Encendido
		170 ⇔ 184	Estroboscopio pulso, rápido a lento
		184 ⇔ 189	Encendido
		190 ⇔ 204	Estroboscopio pulso aleatorio, rápido a lento
		205 ⇔ 209	Encendido
		210 ⇔ 224	Encender lentamente, apaga lentamente (rápido a lento)
		225 ⇔ 229	Encendido
230 ⇔ 244	Estroboscopio pulso, rápido a lento		
245 ⇔ 255	Encendido		

Canal	Función	Valor	Porcentaje/Configuración
8	Color	000 ⇔ 004	Sin función
		005 ⇔ 009	Color 1
		010 ⇔ 014	Color 2
		015 ⇔ 019	Color 3
		020 ⇔ 024	Color 4
		025 ⇔ 029	Color 5
		030 ⇔ 034	Color 6
		035 ⇔ 039	Color 7
		040 ⇔ 044	Color 8
		045 ⇔ 049	Color 9
		050 ⇔ 054	Color 10
		055 ⇔ 059	Color 11
		060 ⇔ 064	Color 12
		065 ⇔ 069	Color 13
		070 ⇔ 074	Color 14
		075 ⇔ 079	Color 15
		080 ⇔ 084	Color 16
		085 ⇔ 089	Color 17
		090 ⇔ 094	Color 18
		095 ⇔ 099	Color 19
		100 ⇔ 104	Color 20
		105 ⇔ 109	Color 21
		110 ⇔ 114	Color 22
		115 ⇔ 119	Color 23
		120 ⇔ 124	Color 24
		125 ⇔ 129	Color 25
		130 ⇔ 134	Color 26
		135 ⇔ 139	Color 27
		140 ⇔ 144	Color 28
		145 ⇔ 149	Color 29
		150 ⇔ 154	Color 30
		155 ⇔ 159	Color 31
		160 ⇔ 164	Color 32
		165 ⇔ 169	Color 33
		170 ⇔ 174	Color 34
175 ⇔ 179	Sin función		
180 ⇔ 201	Desplazamiento de color, rápido a lento		
202 ⇔ 207	Mantener		
208 ⇔ 229	Desplazamiento inverso de color, rápido a lento		
230 ⇔ 234	Sin función		
235 ⇔ 249	Cambio instantáneo de color, rápido a lento		
250 ⇔ 255	Sin función		

Canal	Función	Valor	Porcentaje/Configuración
9	Selección de zona	000 ⇔ 007	Zona 1, 2, 3, 4, 5
		008 ⇔ 015	Zona 2, 3, 4, 5
		016 ⇔ 023	Zona 3, 4, 5
		024 ⇔ 031	Zona 4, 5
		032 ⇔ 039	Zona 5
		040 ⇔ 047	Sin función
		048 ⇔ 055	Zona 1
		056 ⇔ 063	Zona 1, 2
		064 ⇔ 071	Zona 1, 2, 3
		072 ⇔ 079	Zona 1, 2, 3, 4
		080 ⇔ 087	Zona 1, 2, 3, 4, 5
		088 ⇔ 095	Zona 1
		096 ⇔ 103	Zona 2
		104 ⇔ 111	Zona 3
		112 ⇔ 119	Zona 4
		120 ⇔ 127	Zona 5
		128 ⇔ 135	Zona 1, 2
		136 ⇔ 143	Zona 2, 3
		144 ⇔ 151	Zona 3, 4
		152 ⇔ 159	Zona 4, 5
		160 ⇔ 167	Zona 1, 5
		168 ⇔ 175	Zona 1, 2, 3
		176 ⇔ 183	Zona 2, 3, 4
		184 ⇔ 191	Zona 3, 4, 5
		192 ⇔ 199	Zona 1, 4, 5
		200 ⇔ 207	Zona 1, 2, 5
		208 ⇔ 215	Zona 1, 2, 3, 4
		216 ⇔ 223	Zona 2, 3, 4, 5
		224 ⇔ 231	Zona 1, 3, 4, 5
		232 ⇔ 239	Zona 1, 2, 4, 5
240 ⇔ 247	Zona 1, 2, 3, 5		
248 ⇔ 255	Zona 1, 2, 3, 4, 5		

GUÍA DE REFERENCIA RÁPIDA



ES

Canal	Función	Valor	Porcentaje/Configuración
10	Programas	000 ⇔ 015	Sin función
		016 ⇔ 020	Macro círculo 1
		021 ⇔ 025	Macro círculo 2
		026 ⇔ 030	Macro círculo 3
		031 ⇔ 035	Macro círculo 4
		036 ⇔ 040	Macro círculo 5
		041 ⇔ 045	Macro círculo 6
		046 ⇔ 050	Macro círculo 7
		051 ⇔ 055	Macro círculo 8
		056 ⇔ 060	Macro círculo 9
		061 ⇔ 065	Macro círculo 10
		066 ⇔ 070	Macro círculo 11
		071 ⇔ 075	Macro círculo 12
		076 ⇔ 080	Macro círculo 13
		081 ⇔ 085	Macro círculo 14
		086 ⇔ 090	Macro círculo 15
		091 ⇔ 095	Macro círculo 16
		096 ⇔ 100	Macro círculo 17
		101 ⇔ 105	Macro círculo 18
		106 ⇔ 110	Macro círculo 19
		111 ⇔ 115	Macro círculo 20
		116 ⇔ 120	Macro círculo 21
		121 ⇔ 125	Macro círculo 22
		126 ⇔ 130	Macro círculo 23
		131 ⇔ 135	Macro círculo 24
		136 ⇔ 140	Macro círculo de color 1
		141 ⇔ 145	Macro círculo de color 2
		146 ⇔ 150	Macro círculo de color 3
		151 ⇔ 155	Macro círculo de color 4
		156 ⇔ 160	Macro círculo de color 5
		161 ⇔ 165	Macro círculo de color 6
		166 ⇔ 170	Macro círculo de color 7
		171 ⇔ 175	Macro círculo de color 8
		176 ⇔ 180	Macro círculo de color 9
		181 ⇔ 185	Macro círculo de color 10
		186 ⇔ 190	Macro círculo de color 11
		191 ⇔ 195	Macro círculo de color 12
		196 ⇔ 200	Macro círculo de color 13
		201 ⇔ 205	Macro círculo de color 14
		206 ⇔ 210	Macro círculo de color 15
		211 ⇔ 215	Macro círculo de color 16
		216 ⇔ 220	Macro círculo de color 17
		221 ⇔ 225	Macro círculo de color 18
		226 ⇔ 230	Macro círculo de color 19
231 ⇔ 235	Macro círculo de color 20		
236 ⇔ 240	Macro círculo de color 21		
241 ⇔ 245	Macro círculo de color 22		
246 ⇔ 250	Macro círculo de color 23		
251 ⇔ 255	Macro círculo de color 24		
11	Velocidad automática	000 ⇔ 255	0–100%
12	Zoom	000 ⇔ 255	0–100%

Canal	Función	Valor	Porcentaje/Configuración
13	Control (5 segundos de retraso de activación)	000 ⇔ 009	Sin función
		010 ⇔ 014	Oscuro durante panorámica/inclinación
		015 ⇔ 049	Sin función
		050 ⇔ 054	Reiniciar panorámica
		055 ⇔ 059	Reiniciar inclinación
		060 ⇔ 064	Reiniciar zoom
		065 ⇔ 069	Sin función
		070 ⇔ 074	Reiniciar todos
		075 ⇔ 079	Sin función
		080 ⇔ 084	Movimiento panorámico y inclinación inversa
		085 ⇔ 089	Movimiento panorámico inversa
		090 ⇔ 094	Movimiento inclinación inversa
		095 ⇔ 099	Movimiento panorámico normal
		100 ⇔ 104	Movimiento inclinación normal
		105 ⇔ 109	Movimiento panorámico y inclinación normal
		110 ⇔ 119	Sin función
		120 ⇔ 124	Modo de ventilador ECO
125 ⇔ 129	Velocidad de ventilador máxima		
130 ⇔ 134	Ventilador automático		
135 ⇔ 139	Curva del atenuador rápido		
140 ⇔ 144	Curva del atenuador suave		
145 ⇔ 255	Sin función		
14	Rojo 1	000 ⇔ 255	0–100%
15	Verde 1	000 ⇔ 255	0–100%
16	Azul 1	000 ⇔ 255	0–100%
17	Blanco 1	000 ⇔ 255	0–100%
18	Rojo 2	000 ⇔ 255	0–100%
19	Verde 2	000 ⇔ 255	0–100%
20	Azul 2	000 ⇔ 255	0–100%
21	Blanco 2	000 ⇔ 255	0–100%
22	Rojo 3	000 ⇔ 255	0–100%
23	Verde 3	000 ⇔ 255	0–100%
24	Azul 3	000 ⇔ 255	0–100%
25	Blanco 3	000 ⇔ 255	0–100%
26	Rojo 4	000 ⇔ 255	0–100%
27	Verde 4	000 ⇔ 255	0–100%
28	Azul 4	000 ⇔ 255	0–100%
29	Blanco 4	000 ⇔ 255	0–100%
30	Rojo 5	000 ⇔ 255	0–100%
31	Verde 5	000 ⇔ 255	0–100%
32	Azul 5	000 ⇔ 255	0–100%
33	Blanco 5	000 ⇔ 255	0–100%

22CH

Canal	Función	Valor	Porcentaje/Configuración
1	Panorámica	000 ⇔ 255	0–100%
2	Panorámica fino	000 ⇔ 255	Control fino (16 bits)
3	Inclinación	000 ⇔ 255	0–100%
4	Inclinación fino	000 ⇔ 255	Control fino (16 bits)
5	Velocidad de pan/inclina	000 ⇔ 255	Rápido a lento
6	Atenuador	000 ⇔ 255	0–100%
7	Atenuador fino	000 ⇔ 255	Control fino (16 bits)

Canal	Función	Valor	Porcentaje/Configuración
8	Estroboscopio	000 ⇔ 019	Apagado
		020 ⇔ 024	Encendido
		025 ⇔ 064	Estroboscopio, rápido a lento
		065 ⇔ 069	Encendido
		070 ⇔ 084	Encender rápidamente, apaga lentamente (rápido a lento)
		085 ⇔ 089	Encendido
		090 ⇔ 104	Encender lentamente, apaga rápidamente (rápido a lento)
		105 ⇔ 109	Encendido
		110 ⇔ 124	Estroboscopio aleatorio, rápido a lento
		125 ⇔ 129	Encendido
		130 ⇔ 144	Aleatorio: Encender rápidamente, apaga lentamente (rápido a lento)
		145 ⇔ 149	Encendido
		150 ⇔ 164	Aleatorio: Encender lentamente, apaga rápidamente (rápido a lento)
		165 ⇔ 169	Encendido
		170 ⇔ 184	Estroboscopio pulso, rápido a lento
		184 ⇔ 189	Encendido
		190 ⇔ 204	Estroboscopio pulso aleatorio, rápido a lento
		205 ⇔ 209	Encendido
210 ⇔ 224	Encender lentamente, apaga lentamente (rápido a lento)		
225 ⇔ 229	Encendido		
230 ⇔ 244	Estroboscopio pulso, rápido a lento		
245 ⇔ 255	Encendido		
9	Rojo	000 ⇔ 255	0–100%
10	Rojo fino	000 ⇔ 255	Control fino (16 bits)
11	Verde	000 ⇔ 255	0–100%
12	Verde fino	000 ⇔ 255	Control fino (16 bits)
13	Azul	000 ⇔ 255	0–100%
14	Azul fino	000 ⇔ 255	Control fino (16 bits)
15	Blanco	000 ⇔ 255	0–100%
16	Blanco fino	000 ⇔ 255	Control fino (16 bits)

Canal	Función	Valor	Porcentaje/Configuración
17	Color	000 ⇔ 004	Sin función
		005 ⇔ 009	Color 1
		010 ⇔ 014	Color 2
		015 ⇔ 019	Color 3
		020 ⇔ 024	Color 4
		025 ⇔ 029	Color 5
		030 ⇔ 034	Color 6
		035 ⇔ 039	Color 7
		040 ⇔ 044	Color 8
		045 ⇔ 049	Color 9
		050 ⇔ 054	Color 10
		055 ⇔ 059	Color 11
		060 ⇔ 064	Color 12
		065 ⇔ 069	Color 13
		070 ⇔ 074	Color 14
		075 ⇔ 079	Color 15
		080 ⇔ 084	Color 16
		085 ⇔ 089	Color 17
		090 ⇔ 094	Color 18
		095 ⇔ 099	Color 19
		100 ⇔ 104	Color 20
		105 ⇔ 109	Color 21
		110 ⇔ 114	Color 22
		115 ⇔ 119	Color 23
		120 ⇔ 124	Color 24
		125 ⇔ 129	Color 25
		130 ⇔ 134	Color 26
		135 ⇔ 139	Color 27
		140 ⇔ 144	Color 28
		145 ⇔ 149	Color 29
		150 ⇔ 154	Color 30
		155 ⇔ 159	Color 31
		160 ⇔ 164	Color 32
		165 ⇔ 169	Color 33
170 ⇔ 174	Color 34		
175 ⇔ 179	Sin función		
180 ⇔ 201	Desplazamiento de color, rápido a lento		
202 ⇔ 207	Mantener		
208 ⇔ 229	Desplazamiento inverso de color, rápido a lento		
230 ⇔ 234	Sin función		
235 ⇔ 249	Cambio instantáneo de color, rápido a lento		
250 ⇔ 255	Sin función		

GUÍA DE REFERENCIA RÁPIDA



ES

Canal	Función	Valor	Porcentaje/Configuración
18	Selección de zona	000 ⇔ 007	Zona 1, 2, 3, 4, 5
		008 ⇔ 015	Zona 2, 3, 4, 5
		016 ⇔ 023	Zona 3, 4, 5
		024 ⇔ 031	Zona 4, 5
		032 ⇔ 039	Zona 5
		040 ⇔ 047	Sin función
		048 ⇔ 055	Zona 1
		056 ⇔ 063	Zona 1, 2
		064 ⇔ 071	Zona 1, 2, 3
		072 ⇔ 079	Zona 1, 2, 3, 4
		080 ⇔ 087	Zona 1, 2, 3, 4, 5
		088 ⇔ 095	Zona 1
		096 ⇔ 103	Zona 2
		104 ⇔ 111	Zona 3
		112 ⇔ 119	Zona 4
		120 ⇔ 127	Zona 5
		128 ⇔ 135	Zona 1, 2
		136 ⇔ 143	Zona 2, 3
		144 ⇔ 151	Zona 3, 4
		152 ⇔ 159	Zona 4, 5
		160 ⇔ 167	Zona 1, 5
		168 ⇔ 175	Zona 1, 2, 3
		176 ⇔ 183	Zona 2, 3, 4
		184 ⇔ 191	Zona 3, 4, 5
		192 ⇔ 199	Zona 1, 4, 5
		200 ⇔ 207	Zona 1, 2, 5
		208 ⇔ 215	Zona 1, 2, 3, 4
		216 ⇔ 223	Zona 2, 3, 4, 5
		224 ⇔ 231	Zona 1, 3, 4, 5
		232 ⇔ 239	Zona 1, 2, 4, 5
		240 ⇔ 247	Zona 1, 2, 3, 5
		248 ⇔ 255	Zona 1, 2, 3, 4, 5

Canal	Función	Valor	Porcentaje/Configuración
19	Programas	000 ⇔ 015	Sin función
		016 ⇔ 020	Macro círculo 1
		021 ⇔ 025	Macro círculo 2
		026 ⇔ 030	Macro círculo 3
		031 ⇔ 035	Macro círculo 4
		036 ⇔ 040	Macro círculo 5
		041 ⇔ 045	Macro círculo 6
		046 ⇔ 050	Macro círculo 7
		051 ⇔ 055	Macro círculo 8
		056 ⇔ 060	Macro círculo 9
		061 ⇔ 065	Macro círculo 10
		066 ⇔ 070	Macro círculo 11
		071 ⇔ 075	Macro círculo 12
		076 ⇔ 080	Macro círculo 13
		081 ⇔ 085	Macro círculo 14
		086 ⇔ 090	Macro círculo 15
		091 ⇔ 095	Macro círculo 16
		096 ⇔ 100	Macro círculo 17
		101 ⇔ 105	Macro círculo 18
		106 ⇔ 110	Macro círculo 19
		111 ⇔ 115	Macro círculo 20
		116 ⇔ 120	Macro círculo 21
		121 ⇔ 125	Macro círculo 22
		126 ⇔ 130	Macro círculo 23
		131 ⇔ 135	Macro círculo 24
		136 ⇔ 140	Macro círculo de color 1
		141 ⇔ 145	Macro círculo de color 2
		146 ⇔ 150	Macro círculo de color 3
		151 ⇔ 155	Macro círculo de color 4
		156 ⇔ 160	Macro círculo de color 5
		161 ⇔ 165	Macro círculo de color 6
166 ⇔ 170	Macro círculo de color 7		
171 ⇔ 175	Macro círculo de color 8		
176 ⇔ 180	Macro círculo de color 9		
181 ⇔ 185	Macro círculo de color 10		
186 ⇔ 190	Macro círculo de color 11		
191 ⇔ 195	Macro círculo de color 12		
196 ⇔ 200	Macro círculo de color 13		
201 ⇔ 205	Macro círculo de color 14		
206 ⇔ 210	Macro círculo de color 15		
211 ⇔ 215	Macro círculo de color 16		
216 ⇔ 220	Macro círculo de color 17		
221 ⇔ 225	Macro círculo de color 18		
226 ⇔ 230	Macro círculo de color 19		
231 ⇔ 235	Macro círculo de color 20		
236 ⇔ 240	Macro círculo de color 21		
241 ⇔ 245	Macro círculo de color 22		
246 ⇔ 250	Macro círculo de color 23		
251 ⇔ 255	Macro círculo de color 24		
20	Velocidad automática	000 ⇔ 255	0–100%
21	Zoom	000 ⇔ 255	0–100%

Canal	Función	Valor	Porcentaje/Configuración
22	Control (5 segundos de retraso de activación)	000 ⇔ 009	Sin función
		010 ⇔ 014	Oscuro durante panorámica/inclinación
		015 ⇔ 049	Sin función
		050 ⇔ 054	Reiniciar panorámica
		055 ⇔ 059	Reiniciar inclinación
		060 ⇔ 064	Reiniciar zoom
		065 ⇔ 069	Sin función
		070 ⇔ 074	Reiniciar todos
		075 ⇔ 079	Sin función
		080 ⇔ 084	Movimiento panorámico y inclinación inversa
		085 ⇔ 089	Movimiento panorámico inversa
		090 ⇔ 094	Movimiento inclinación inversa
		095 ⇔ 099	Movimiento panorámico normal
		100 ⇔ 104	Movimiento inclinación normal
		105 ⇔ 109	Movimiento panorámico y inclinación normal
		110 ⇔ 119	Sin función
		120 ⇔ 124	Modo de ventilador ECO
		125 ⇔ 129	Velocidad de ventilador máxima
		130 ⇔ 134	Ventilador automático
		135 ⇔ 139	Curva del atenuador rápido
		140 ⇔ 144	Curva del atenuador suave
145 ⇔ 255	Sin función		

17CH

Canal	Función	Valor	Porcentaje/Configuración
1	Panorámica	000 ⇔ 255	0–100%
2	Panorámica fino	000 ⇔ 255	Control fino (16 bits)
3	Inclinación	000 ⇔ 255	0–100%
4	Inclinación fino	000 ⇔ 255	Control fino (16 bits)
5	Velocidad de pan/inclina	000 ⇔ 255	Rápido a lento
6	Atenuador	000 ⇔ 255	0–100%
7	Estroboscopio	000 ⇔ 019	Apagado
		020 ⇔ 024	Encendido
		025 ⇔ 064	Estroboscopio, rápido a lento
		065 ⇔ 069	Encendido
		070 ⇔ 084	Encender rápidamente, apaga lentamente (rápido a lento)
		085 ⇔ 089	Encendido
		090 ⇔ 104	Encender lentamente, apaga rápidamente (rápido a lento)
		105 ⇔ 109	Encendido
		110 ⇔ 124	Estroboscopio aleatorio, rápido a lento
		125 ⇔ 129	Encendido
		130 ⇔ 144	Aleatorio: Encender rápidamente, apaga lentamente (rápido a lento)
		145 ⇔ 149	Encendido
		150 ⇔ 164	Aleatorio: Encender lentamente, apaga rápidamente (rápido a lento)
		165 ⇔ 169	Encendido
		170 ⇔ 184	Estroboscopio pulso, rápido a lento
		184 ⇔ 189	Encendido
		190 ⇔ 204	Estroboscopio pulso aleatorio, rápido a lento
		205 ⇔ 209	Encendido
210 ⇔ 224	Encender lentamente, apaga lentamente (rápido a lento)		
225 ⇔ 229	Encendido		
230 ⇔ 244	Estroboscopio pulso, rápido a lento		
245 ⇔ 255	Encendido		
8	Rojo	000 ⇔ 255	0–100%
9	Verde	000 ⇔ 255	0–100%

Canal	Función	Valor	Porcentaje/Configuración
10	Azul	000 ⇔ 255	0–100%
11	Blanco	000 ⇔ 255	0–100%
12	Color	000 ⇔ 004	Sin función
		005 ⇔ 009	Color 1
		010 ⇔ 014	Color 2
		015 ⇔ 019	Color 3
		020 ⇔ 024	Color 4
		025 ⇔ 029	Color 5
		030 ⇔ 034	Color 6
		035 ⇔ 039	Color 7
		040 ⇔ 044	Color 8
		045 ⇔ 049	Color 9
		050 ⇔ 054	Color 10
		055 ⇔ 059	Color 11
		060 ⇔ 064	Color 12
		065 ⇔ 069	Color 13
		070 ⇔ 074	Color 14
		075 ⇔ 079	Color 15
		080 ⇔ 084	Color 16
		085 ⇔ 089	Color 17
		090 ⇔ 094	Color 18
		095 ⇔ 099	Color 19
		100 ⇔ 104	Color 20
		105 ⇔ 109	Color 21
		110 ⇔ 114	Color 22
		115 ⇔ 119	Color 23
		120 ⇔ 124	Color 24
		125 ⇔ 129	Color 25
		130 ⇔ 134	Color 26
		135 ⇔ 139	Color 27
		140 ⇔ 144	Color 28
		145 ⇔ 149	Color 29
		150 ⇔ 154	Color 30
		155 ⇔ 159	Color 31
		160 ⇔ 164	Color 32
165 ⇔ 169	Color 33		
170 ⇔ 174	Color 34		
175 ⇔ 179	Sin función		
180 ⇔ 201	Desplazamiento de color, rápido a lento		
202 ⇔ 207	Mantener		
208 ⇔ 229	Desplazamiento inverso de color, rápido a lento		
230 ⇔ 234	Sin función		
235 ⇔ 249	Cambio instantáneo de color, rápido a lento		
250 ⇔ 255	Sin función		

Canal	Función	Valor	Porcentaje/Configuración
13	Selección de zona	000 ⇔ 007	Zona 1, 2, 3, 4, 5
		008 ⇔ 015	Zona 2, 3, 4, 5
		016 ⇔ 023	Zona 3, 4, 5
		024 ⇔ 031	Zona 4, 5
		032 ⇔ 039	Zona 5
		040 ⇔ 047	Sin función
		048 ⇔ 055	Zona 1
		056 ⇔ 063	Zona 1, 2
		064 ⇔ 071	Zona 1, 2, 3
		072 ⇔ 079	Zona 1, 2, 3, 4
		080 ⇔ 087	Zona 1, 2, 3, 4, 5
		088 ⇔ 095	Zona 1
		096 ⇔ 103	Zona 2
		104 ⇔ 111	Zona 3
		112 ⇔ 119	Zona 4
		120 ⇔ 127	Zona 5
		128 ⇔ 135	Zona 1, 2
		136 ⇔ 143	Zona 2, 3
		144 ⇔ 151	Zona 3, 4
		152 ⇔ 159	Zona 4, 5
		160 ⇔ 167	Zona 1, 5
		168 ⇔ 175	Zona 1, 2, 3
		176 ⇔ 183	Zona 2, 3, 4
		184 ⇔ 191	Zona 3, 4, 5
		192 ⇔ 199	Zona 1, 4, 5
		200 ⇔ 207	Zona 1, 2, 5
		208 ⇔ 215	Zona 1, 2, 3, 4
		216 ⇔ 223	Zona 2, 3, 4, 5
		224 ⇔ 231	Zona 1, 3, 4, 5
		232 ⇔ 239	Zona 1, 2, 4, 5
		240 ⇔ 247	Zona 1, 2, 3, 5
		248 ⇔ 255	Zona 1, 2, 3, 4, 5

Canal	Función	Valor	Porcentaje/Configuración
14	Programas	000 ⇔ 015	Sin función
		016 ⇔ 020	Macro círculo 1
		021 ⇔ 025	Macro círculo 2
		026 ⇔ 030	Macro círculo 3
		031 ⇔ 035	Macro círculo 4
		036 ⇔ 040	Macro círculo 5
		041 ⇔ 045	Macro círculo 6
		046 ⇔ 050	Macro círculo 7
		051 ⇔ 055	Macro círculo 8
		056 ⇔ 060	Macro círculo 9
		061 ⇔ 065	Macro círculo 10
		066 ⇔ 070	Macro círculo 11
		071 ⇔ 075	Macro círculo 12
		076 ⇔ 080	Macro círculo 13
		081 ⇔ 085	Macro círculo 14
		086 ⇔ 090	Macro círculo 15
		091 ⇔ 095	Macro círculo 16
		096 ⇔ 100	Macro círculo 17
		101 ⇔ 105	Macro círculo 18
		106 ⇔ 110	Macro círculo 19
		111 ⇔ 115	Macro círculo 20
		116 ⇔ 120	Macro círculo 21
		121 ⇔ 125	Macro círculo 22
		126 ⇔ 130	Macro círculo 23
		131 ⇔ 135	Macro círculo 24
		136 ⇔ 140	Macro círculo de color 1
		141 ⇔ 145	Macro círculo de color 2
		146 ⇔ 150	Macro círculo de color 3
		151 ⇔ 155	Macro círculo de color 4
		156 ⇔ 160	Macro círculo de color 5
		161 ⇔ 165	Macro círculo de color 6
166 ⇔ 170	Macro círculo de color 7		
171 ⇔ 175	Macro círculo de color 8		
176 ⇔ 180	Macro círculo de color 9		
181 ⇔ 185	Macro círculo de color 10		
186 ⇔ 190	Macro círculo de color 11		
191 ⇔ 195	Macro círculo de color 12		
196 ⇔ 200	Macro círculo de color 13		
201 ⇔ 205	Macro círculo de color 14		
206 ⇔ 210	Macro círculo de color 15		
211 ⇔ 215	Macro círculo de color 16		
216 ⇔ 220	Macro círculo de color 17		
221 ⇔ 225	Macro círculo de color 18		
226 ⇔ 230	Macro círculo de color 19		
231 ⇔ 235	Macro círculo de color 20		
236 ⇔ 240	Macro círculo de color 21		
241 ⇔ 245	Macro círculo de color 22		
246 ⇔ 250	Macro círculo de color 23		
251 ⇔ 255	Macro círculo de color 24		
15	Velocidad automática	000 ⇔ 255	0–100%
16	Zoom	000 ⇔ 255	0–100%

Canal	Función	Valor	Porcentaje/Configuración
17	Control (5 segundos de retraso de activación)	000 ⇔ 009	Sin función
		010 ⇔ 014	Oscuro durante panorámica/inclinación
		015 ⇔ 049	Sin función
		050 ⇔ 054	Reiniciar panorámica
		055 ⇔ 059	Reiniciar inclinación
		060 ⇔ 064	Reiniciar zoom
		065 ⇔ 069	Sin función
		070 ⇔ 074	Reiniciar todos
		075 ⇔ 079	Sin función
		080 ⇔ 084	Movimiento panorámico y inclinación inversa
		085 ⇔ 089	Movimiento panorámico inversa
		090 ⇔ 094	Movimiento inclinación inversa
		095 ⇔ 099	Movimiento panorámico normal
		100 ⇔ 104	Movimiento inclinación normal
		105 ⇔ 109	Movimiento panorámico y inclinación normal
		110 ⇔ 119	Sin función
		120 ⇔ 124	Modo de ventilador ECO
		125 ⇔ 129	Velocidad de ventilador máxima
		130 ⇔ 134	Ventilador automático
		135 ⇔ 139	Curva del atenuador rápido
140 ⇔ 144	Curva del atenuador suave		
145 ⇔ 255	Sin función		

15CH

Canal	Función	Valor	Porcentaje/Configuración
1	Panorámica	000 ⇔ 255	0–100%
2	Panorámica fino	000 ⇔ 255	Control fino (16 bits)
3	Inclinación	000 ⇔ 255	0–100%
4	Inclinación fino	000 ⇔ 255	Control fino (16 bits)
5	Velocidad de pan/inclina	000 ⇔ 255	Rápido a lento
6	Atenuador	000 ⇔ 255	0–100%
7	Atenuador fino	000 ⇔ 255	Control fino (16 bits)
8	Estroboscopio	000 ⇔ 019	Apagado
		020 ⇔ 024	Encendido
		025 ⇔ 064	Estroboscopio, rápido a lento
		065 ⇔ 069	Encendido
		070 ⇔ 084	Encender rápidamente, apaga lentamente (rápido a lento)
		085 ⇔ 089	Encendido
		090 ⇔ 104	Encender lentamente, apaga rápidamente (rápido a lento)
		105 ⇔ 109	Encendido
		110 ⇔ 124	Estroboscopio aleatorio, rápido a lento
		125 ⇔ 129	Encendido
		130 ⇔ 144	Aleatorio: Encender rápidamente, apaga lentamente (rápido a lento)
		145 ⇔ 149	Encendido
		150 ⇔ 164	Aleatorio: Encender lentamente, apaga rápidamente (rápido a lento)
		165 ⇔ 169	Encendido
		170 ⇔ 184	Estroboscopio pulso, rápido a lento
		184 ⇔ 189	Encendido
		190 ⇔ 204	Estroboscopio pulso aleatorio, rápido a lento
205 ⇔ 209	Encendido		
210 ⇔ 224	Encender lentamente, apaga lentamente (rápido a lento)		
225 ⇔ 229	Encendido		
230 ⇔ 244	Estroboscopio pulso, rápido a lento		
245 ⇔ 255	Encendido		
9	Rojo	000 ⇔ 255	0–100%

Canal	Función	Valor	Porcentaje/Configuración
10	Verde	000 ⇔ 255	0–100%
11	Azul	000 ⇔ 255	0–100%
12	Blanco	000 ⇔ 255	0–100%
13	Color	000 ⇔ 004	Sin función
		005 ⇔ 009	Color 1
		010 ⇔ 014	Color 2
		015 ⇔ 019	Color 3
		020 ⇔ 024	Color 4
		025 ⇔ 029	Color 5
		030 ⇔ 034	Color 6
		035 ⇔ 039	Color 7
		040 ⇔ 044	Color 8
		045 ⇔ 049	Color 9
		050 ⇔ 054	Color 10
		055 ⇔ 059	Color 11
		060 ⇔ 064	Color 12
		065 ⇔ 069	Color 13
		070 ⇔ 074	Color 14
		075 ⇔ 079	Color 15
		080 ⇔ 084	Color 16
		085 ⇔ 089	Color 17
		090 ⇔ 094	Color 18
		095 ⇔ 099	Color 19
		100 ⇔ 104	Color 20
		105 ⇔ 109	Color 21
		110 ⇔ 114	Color 22
		115 ⇔ 119	Color 23
		120 ⇔ 124	Color 24
		125 ⇔ 129	Color 25
		130 ⇔ 134	Color 26
		135 ⇔ 139	Color 27
		140 ⇔ 144	Color 28
		145 ⇔ 149	Color 29
150 ⇔ 154	Color 30		
155 ⇔ 159	Color 31		
160 ⇔ 164	Color 32		
165 ⇔ 169	Color 33		
170 ⇔ 174	Color 34		
175 ⇔ 179	Sin función		
180 ⇔ 201	Desplazamiento de color, rápido a lento		
202 ⇔ 207	Mantener		
208 ⇔ 229	Desplazamiento inverso de color, rápido a lento		
230 ⇔ 234	Sin función		
235 ⇔ 249	Cambio instantáneo de color, rápido a lento		
250 ⇔ 255	Sin función		
14	Zoom	000 ⇔ 255	0–100%

Canal	Función	Valor	Porcentaje/Configuración
15	Control (5 segundos de retraso de activación)	000 ⇔ 009	Sin función
		010 ⇔ 014	Oscuro durante panorámica/inclinación
		015 ⇔ 049	Sin función
		050 ⇔ 054	Reiniciar panorámica
		055 ⇔ 059	Reiniciar inclinación
		060 ⇔ 064	Reiniciar zoom
		065 ⇔ 069	Sin función
		070 ⇔ 074	Reiniciar todos
		075 ⇔ 079	Sin función
		080 ⇔ 084	Movimiento panorámico y inclinación inversa
		085 ⇔ 089	Movimiento panorámico inversa
		090 ⇔ 094	Movimiento inclinación inversa
		095 ⇔ 099	Movimiento panorámico normal
		100 ⇔ 104	Movimiento inclinación normal
		105 ⇔ 109	Movimiento panorámico y inclinación normal
		110 ⇔ 119	Sin función
		120 ⇔ 124	Modo de ventilador ECO
		125 ⇔ 129	Velocidad de ventilador máxima
		130 ⇔ 134	Ventilador automático
		135 ⇔ 139	Curva del atenuador rápido
140 ⇔ 144	Curva del atenuador suave		
145 ⇔ 255	Sin función		

À Propos de ce Manuel

Le Manuel de Référence du Rogue R2X Wash (MdR) reprend des informations de base sur cet appareil notamment en matière de connexions, montage, options de menu et valeurs DMX. Télécharger le Manuel d'Utilisation sur www.chauvetprofessional.com pour de plus amples informations.

Clause de Non-Responsabilité

Les informations et caractéristiques contenues dans ce manuel sont sujettes à changement sans préavis.

GARANTIE LIMITÉE

VEUILLEZ VISITER NOTRE SITE INTERNET POUR CONSULTER LES MODALITÉS D'ENREGISTREMENT DE LA GARANTIE ET LES CONDITIONS GÉNÉRALES COMPLÈTES.

Pour les clients aux États-Unis et au Mexique: www.chauvetlighting.com/warranty-registration.

Pour les clients du Royaume-Uni, de la République d'Irlande, de la Belgique, des Pays-Bas, du Luxembourg, de la France et de l'Allemagne: www.chauvetlighting.eu/warranty-registration.

Chauvet garantit que cet appareil est exempt de défauts de matériaux et de fabrication dans des conditions normales d'utilisation, pendant la période spécifiée dans la garantie limitée complète consultable sur notre site Internet et sous réserve des exclusions et limitations qui y sont énoncées. Cette garantie ne s'applique qu'à l'acheteur initial du produit et n'est pas transférable. Pour exercer les droits prévus par cette garantie, vous devez fournir une preuve d'achat sous la forme d'un reçu de vente original d'un revendeur autorisé qui indique le nom du produit et la date d'achat. IL N'EXISTE AUCUNE AUTRE GARANTIE EXPRESSE OU IMPLICITE. Cette garantie vous confère des droits légaux spécifique. Vous pouvez également bénéficier d'autres droits qui varient selon les états et les pays. Cette garantie n'est valable qu'aux États-Unis, au Royaume-Uni, en République d'Irlande, en Belgique, aux Pays-Bas, au Luxembourg, en France, en Allemagne et au Mexique. Pour connaître les conditions de garantie dans d'autres pays, veuillez consulter votre revendeur local.

Consignes de Sécurité

- N'ouvrez PAS cet appareil. Il ne contient aucun composant susceptible d'être réparé par l'utilisateur.
- Ne regardez PAS la source lumineuse lorsque le produit fonctionne.
- Durant les périodes de non-utilisation, pour éviter tout usure inutile et pour prolonger la durée de vie, déconnectez entièrement l'appareil en le débranchant de l'alimentation électrique ou en coupant le disjoncteur.
- ATTENTION : Lorsque l'appareil est transféré d'un environnement à température extrême à un autre (par exemple d'un camion froid vers une salle de bal chaude et humide), de la condensation peut se former sur les composants électriques internes. Pour éviter de causer des dommages, laissez l'appareil s'acclimater entièrement au milieu environnant avant de le mettre sous tension.
- ATTENTION : le boîtier de ce produit peut s'avérer brûlant lors du fonctionnement.
- Montez toujours ce produit dans un endroit bien ventilé, à au moins 50 cm (20 pouces) des surfaces adjacentes.
- Ne laissez AUCUNE source inflammable dans un rayon de 50 cm du produit lorsque celui-ci fonctionne.
- Utilisez TOUJOURS un câble de sécurité lorsque vous montez ce produit en hauteur.
- N'utilisez PAS cet appareil en extérieur ou tout autre endroit où de la poussière, une chaleur excessive, de l'eau ou de l'humidité pourrait en affecter le fonctionnement. (IP20)
- N'utilisez PAS cet appareil si le boîtier, les lentilles ou les câbles vous semblent endommagés.
- Ne connectez ce produit NI à un gradateur NI à un rhéostat.
- Connectez UNIQUEMENT cet appareil à un circuit protégé et relié à la terre.
- N'utilisez QUE les lyres de suspension ou les poignées pour transporter cet appareil. Ne transportez jamais cet appareil par sa lyre asservie.
- En cas de sérieux problèmes de fonctionnement, arrêtez le système immédiatement.
- La température ambiante maximale doit être de 113° F (45° C). Ne le faites pas fonctionner à des températures plus élevées.

Conformité FCC

Cet appareil est conforme à la partie 15, sous-partie B du règlement de la FCC. L'utilisation est soumise aux deux conditions suivantes :

1. Cet appareil ne doit pas causer d'interférences nuisibles, et
2. Cet appareil doit accepter toutes les interférences reçues, y compris celles pouvant entraîner un fonctionnement indésirable.

Tout changement ou modification non expressément approuvé par l'autorité responsable de la conformité pourrait annuler le droit de l'utilisateur à utiliser l'équipement.

Contact

En dehors des États-Unis, du Royaume-Uni, de l'Irlande, du Benelux, de la France, de l'Allemagne, ou du Mexique, contactez votre fournisseur si vous avez besoin d'assistance ou pour retourner un appareil. Référez-vous à [Contact Us](#) à la fin de ce MdR pour obtenir des informations pour nous contacter.

Ce Qui est Inclus

- Rogue R2X Wash avec écran anti-éblouissement
- Cordon d'Alimentation Neutrik® powerCON®
- Fixation Omega
- Manuel de Référence

Alimentation CA

Cet appareil est doté d'une alimentation universelle prenant en charge toute tension d'entrée comprise entre 100 et 240 VCA, 50/60 Hz.

Connexion Électrique

Vous pouvez connecter jusqu'à 4 Rogue R2X Wash à 120 V, 8 unités à 208 V ou 9 unités à 230 V. Vous pouvez vous procurer séparément des cordons d'alimentation.

Prise CA

Connexion	Câble (États-Unis)	Câble (Europe)	Couleur de la vis
Conducteur CA	Noir	Marron	Jaune/Cuivré
Neutre CA	Blanc	Bleu	Argenté
Terre CA	Vert/Jaune	Vert/Jaune	Vert



Durant les périodes de non-utilisation, pour éviter toute usure inutile et pour prolonger la durée de vie, déconnectez-entièrement l'appareil en le débranchant de l'alimentation électrique ou en coupant le disjoncteur.

Remplacement du Fusible

1. Débranchez l'appareil de l'alimentation.
2. À l'aide d'un tournevis à tête plate, dévissez le couvercle du porte-fusible du boîtier.
3. Retirez le fusil obsolète et remplacez-le par un fusible en bon état de même type et ampérage.
4. Revissez le couvercle du porte-fusible et rebranchez l'unité.

Raccordement DMX

Le Rogue R2X Wash fonctionnera avec une console DMX au moyen d'une connexion série DMX à 3 ou 5 broches. Une introduction au DMX est à votre disposition sur www.chauvetprofessional.com.

Connexion DMX

Le Rogue R2X Wash utilise une connexion de données DMX standard pour ses personnalités DMX : **15CH, 17CH, 22CH, 33CH, 33CH MS, 54CH, 54CH MS et 56CH**. Consultez le Manuel d'Utilisation pour connecter et configurer le système DMX.

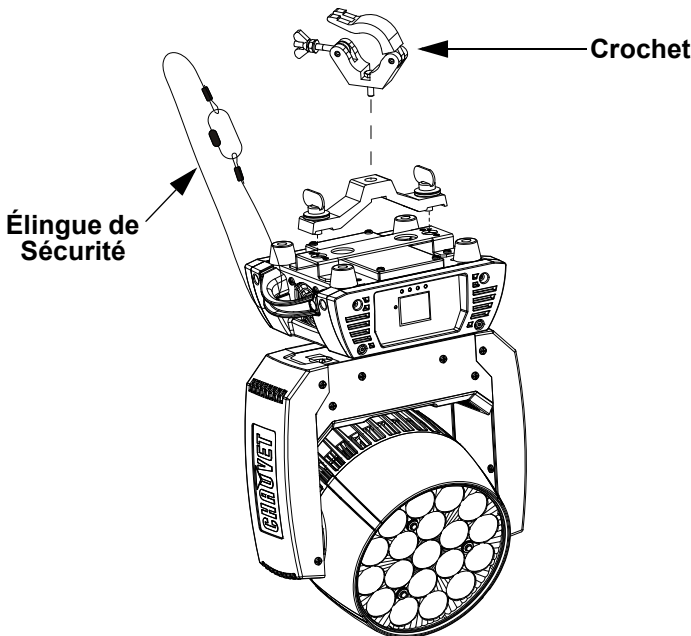
RDM (Gestion des périphériques à distance)

Le protocole RDM (gestion des périphériques à distance) est un standard pour la communication bidirectionnelle des appareils dotés de fonctions DMX dans un câblage DMX existant. Le Rogue R2X Wash supporte le protocole RDM permettant un retour d'information pour la surveillance et des changements des options de menu. Veuillez télécharger le manuel de l'utilisateur à partir du site internet www.chauvetprofessional.com pour plus de détails.

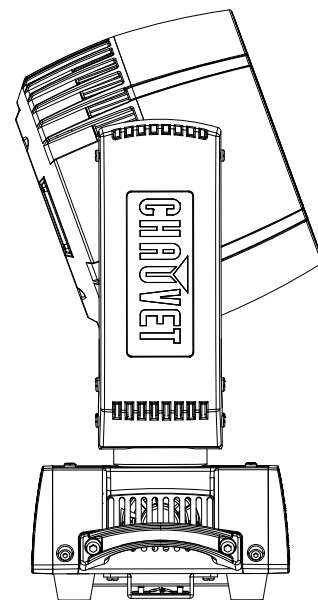
Installation

Avant de monter cet appareil, lisez et assimilez les [Consignes de Sécurité](#). Utilisez au moins un point de fixation par appareil. Soyez sûr que les crochets sont capables de supporter le poids du produit. Pour voir notre gamme de crochets, rendez-vous sur <http://trusst.com/productcategory/truss-clamps>.

Schéma de Montage de l'Appareil



Montage en Hauteur



Montage au Sol



Lorsqu'une seule fixation est utilisée, veillez à ce qu'elle le soit avec un boulon captif afin d'éviter tout dévissage accidentel.

Description du Tableau de Commandes

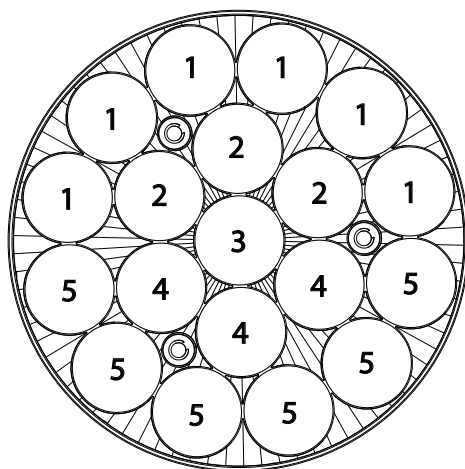
Bouton	Fonction
<MENU>	Permet la sortie du menu ou de la fonction en cours
<ENTER>	Permet l'affichage du menu en cours ou permet de configurer la valeur en cours dans la fonction sélectionnée
<UP>	Permet de parcourir les listes de menu vers le haut, dans une fonction permet d'augmenter les valeurs numériques
<DOWN>	Permet de parcourir les listes de menu vers le bas, dans une fonction permet de diminuer les valeurs numériques

Plan du Menu

Menu Principal	Niveaux de Programmation		Description	
Address	001–512		Définir l'adresse de départ	
Run Mode	DMX	14CH	Sélectionne la personnalité DMX	
		15CH		
		19CH		
		21CH		
	Auto Test		Teste toutes les fonctions automatiquement	
	Manual Test	Pan	000–255	Contrôler et tester manuellement chaque paramètre depuis le panneau de commande
		Tilt		
		Dimmer		
		Shutter		
		Red		
Green				
Blue				
White				
Zoom				
Setup	Pan Reverse	OFF	Fonctionnement normal du pan	
		ON	Fonctionnement inversé du pan	
	Tilt Reverse	OFF	Fonctionnement normal du tilt	
		ON	Fonctionnement inversé du tilt	
	Pan Angle	540	Plage d'angle de pan : 540°	
		360	Plage d'angle de pan : 360°	
		180	Plage d'angle de pan : 180°	
	Tilt Angle	230	Plage d'angle de tilt : 230°	
		180	Plage d'angle de tilt : 180°	
		90	Plage d'angle de tilt : 90°	
	Fans	Auto	La vitesse du ventilateur s'adapte à la température de l'appareil	
		ECO	Mode silencieux	
		Full	La vitesse du ventilateur est réglée sur la vitesse haute	
	Display	OFF	L'affichage s'éteint	
		ON	L'affichage reste allumé	
	Screen Rev	OFF	L'écran s'affiche à normal	
		ON	L'écran s'affiche à l'envers	
	Dimmer Curve	Linear	Définir la courbe de gradation	
Square				
I Squa				
SCurve				
Dimmer Speed	Smooth	Vitesse du gradateur lisse		
	Fast	Vitesse du gradateur rapide		
LED R POWER	050–100	Règle la puissance des LED rouges		
LED G POWER	050–100	Définit la puissance des LED verts		
LED B POWER	050–100	Règle la puissance des LED bleus		
LED W POWER	050–100	Règle la puissance des LED blanches		

Menu Principal	Niveaux de Programmation			Description	
Setup (cont.)	Color Calibration	Off		Utilise les valeurs de sortie maximales	
		On		Utilise le paramétrage de blanc définit en usine	
		Custom	RED	100–255	Définit la valeur maximale de LED rouge
			GREEN		Définit la valeur maximale de LED verte
	BLUE		Définit la valeur maximale de LED bleue		
	Reset Function	Pan/Tilt	NO	Réinitialiser chaque fonction de manière individuelle ou toutes les fonctions à partir du démarrage	
			YES		
		Zoom	NO		
			YES		
	All	NO			
YES					
Factory Set				Réinitialisation aux paramètres par défaut d'usine	
Sys Info	Fixture Information	Ver	V_	Affiche la version du micrologiciel	
		Running Mode	---	Affiche le mode d'exécution actuel	
		DMX Address	---	Affiche l'adresse de départ actuelle	
		Temperature	---	Affiche la température actuelle en °C	
		Fixture Time	-----	Affiche le nombre d'heure pendant lequel l'appareil est resté allumé	
		UID:	-----	Affiche l'UID du produit	

Rogue R2X Wash Zones pour le contrôle DMX



Valeurs DMX
56CH

Canal	Fonction	Valeur	Pourcentage/Configuration
1	Pan	000 ⇔ 255	0–100%
2	Pan fin	000 ⇔ 255	Contrôle fin (16 bits)
3	Tilt	000 ⇔ 255	0–100%
4	Tilt fin	000 ⇔ 255	Contrôle fin (16 bits)
5	Vitesse de pan/tilt	000 ⇔ 255	Rapide à lent
6	Gradateur	000 ⇔ 255	0–100%
7	Gradateur fin	000 ⇔ 255	Contrôle fin (16 bits)

Canal	Fonction	Valeur	Pourcentage/Configuration
8	Stroboscope	000 ⇔ 019	Eteindre
		020 ⇔ 024	Allumé
		025 ⇔ 064	Stroboscope, rapide à lent
		065 ⇔ 069	Allumé
		070 ⇔ 084	Allumer vite, éteindre lentement (rapide à lent)
		085 ⇔ 089	Allumé
		090 ⇔ 104	Allumer lentement, éteindre vite (rapide à lent)
		105 ⇔ 109	Allumé
		110 ⇔ 124	Stroboscope aléatoire, rapide à lent
		125 ⇔ 129	Allumé
		130 ⇔ 144	Aléatoire : allumer vite, éteindre lentement (rapide à lent)
		145 ⇔ 149	Allumé
		150 ⇔ 164	Aléatoire : allumer lentement, éteindre vite (rapide à lent)
		165 ⇔ 169	Allumé
		170 ⇔ 184	Stroboscope de pulsation, rapide à lent
		184 ⇔ 189	Allumé
		190 ⇔ 204	Stroboscope aléatoire de pulsation, rapide à lent
205 ⇔ 209	Allumé		
210 ⇔ 224	Allumer lentement, éteindre lentement (rapide à lent)		
225 ⇔ 229	Allumé		
230 ⇔ 244	Stroboscope de pulsation, rapide à lent		
245 ⇔ 255	Allumé		
9	Rouge 1	000 ⇔ 255	0–100%
10	Rouge fin 1	000 ⇔ 255	Contrôle fin (16 bits)
11	Vert 1	000 ⇔ 255	0–100%
12	Vert fin 1	000 ⇔ 255	Contrôle fin (16 bits)
13	Bleu 1	000 ⇔ 255	0–100%
14	Bleu fin 1	000 ⇔ 255	Contrôle fin (16 bits)
15	Blanc 1	000 ⇔ 255	0–100%
16	Blanc fin 1	000 ⇔ 255	Contrôle fin (16 bits)
17	Rouge 2	000 ⇔ 255	0–100%
18	Rouge fin 2	000 ⇔ 255	Contrôle fin (16 bits)
19	Vert 2	000 ⇔ 255	0–100%
20	Vert fin 2	000 ⇔ 255	Contrôle fin (16 bits)
21	Bleu 2	000 ⇔ 255	0–100%
22	Bleu fin 2	000 ⇔ 255	Contrôle fin (16 bits)
23	Blanc 2	000 ⇔ 255	0–100%
24	Blanc fin 2	000 ⇔ 255	Contrôle fin (16 bits)
25	Rouge 3	000 ⇔ 255	0–100%
26	Rouge fin 3	000 ⇔ 255	Contrôle fin (16 bits)
27	Vert 3	000 ⇔ 255	0–100%
28	Vert fin 3	000 ⇔ 255	Contrôle fin (16 bits)
29	Bleu 3	000 ⇔ 255	0–100%
30	Bleu fin 3	000 ⇔ 255	Contrôle fin (16 bits)
31	Blanc 3	000 ⇔ 255	0–100%
32	Blanc fin 3	000 ⇔ 255	Contrôle fin (16 bits)
33	Rouge 4	000 ⇔ 255	0–100%
34	Rouge fin 4	000 ⇔ 255	Contrôle fin (16 bits)
35	Vert 4	000 ⇔ 255	0–100%
36	Vert fin 4	000 ⇔ 255	Contrôle fin (16 bits)
37	Bleu 4	000 ⇔ 255	0–100%
38	Bleu fin 4	000 ⇔ 255	Contrôle fin (16 bits)
39	Blanc 4	000 ⇔ 255	0–100%
40	Blanc fin 4	000 ⇔ 255	Contrôle fin (16 bits)
41	Rouge 5	000 ⇔ 255	0–100%

Canal	Fonction	Valeur	Pourcentage/Configuration
42	Rouge fin 5	000 ⇔ 255	Contrôle fin (16 bits)
43	Vert 5	000 ⇔ 255	0–100%
44	Vert fin 5	000 ⇔ 255	Contrôle fin (16 bits)
45	Bleu 5	000 ⇔ 255	0–100%
46	Bleu fin 5	000 ⇔ 255	Contrôle fin (16 bits)
47	Blanc 5	000 ⇔ 255	0–100%
48	Blanc fin 5	000 ⇔ 255	Contrôle fin (16 bits)
49	Couleur	000 ⇔ 004	Pas de fonction
		005 ⇔ 009	Couleur 1
		010 ⇔ 014	Couleur 2
		015 ⇔ 019	Couleur 3
		020 ⇔ 024	Couleur 4
		025 ⇔ 029	Couleur 5
		030 ⇔ 034	Couleur 6
		035 ⇔ 039	Couleur 7
		040 ⇔ 044	Couleur 8
		045 ⇔ 049	Couleur 9
		050 ⇔ 054	Couleur 10
		055 ⇔ 059	Couleur 11
		060 ⇔ 064	Couleur 12
		065 ⇔ 069	Couleur 13
		070 ⇔ 074	Couleur 14
		075 ⇔ 079	Couleur 15
		080 ⇔ 084	Couleur 16
		085 ⇔ 089	Couleur 17
		090 ⇔ 094	Couleur 18
		095 ⇔ 099	Couleur 19
		100 ⇔ 104	Couleur 20
		105 ⇔ 109	Couleur 21
		110 ⇔ 114	Couleur 22
		115 ⇔ 119	Couleur 23
		120 ⇔ 124	Couleur 24
		125 ⇔ 129	Couleur 25
		130 ⇔ 134	Couleur 26
		135 ⇔ 139	Couleur 27
		140 ⇔ 144	Couleur 28
		145 ⇔ 149	Couleur 29
		150 ⇔ 154	Couleur 30
155 ⇔ 159	Couleur 31		
160 ⇔ 164	Couleur 32		
165 ⇔ 169	Couleur 33		
170 ⇔ 174	Couleur 34		
175 ⇔ 179	Pas de fonction		
180 ⇔ 201	Défilement de couleur, rapide à lent		
202 ⇔ 207	Maintenir		
208 ⇔ 229	Défilement inverse de couleur, rapide à lent		
230 ⇔ 234	Pas de fonction		
235 ⇔ 249	Changement instantané de couleur, rapide à lent		
250 ⇔ 255	Pas de fonction		

Canal	Fonction	Valeur	Pourcentage/Configuration
50	Sélection de zone	000 ⇔ 007	Zone 1, 2, 3, 4, 5
		008 ⇔ 015	Zone 2, 3, 4, 5
		016 ⇔ 023	Zone 3, 4, 5
		024 ⇔ 031	Zone 4, 5
		032 ⇔ 039	Zone 5
		040 ⇔ 047	Pas de fonction
		048 ⇔ 055	Zone 1
		056 ⇔ 063	Zone 1, 2
		064 ⇔ 071	Zone 1, 2, 3
		072 ⇔ 079	Zone 1, 2, 3, 4
		080 ⇔ 087	Zone 1, 2, 3, 4, 5
		088 ⇔ 095	Zone 1
		096 ⇔ 103	Zone 2
		104 ⇔ 111	Zone 3
		112 ⇔ 119	Zone 4
		120 ⇔ 127	Zone 5
		128 ⇔ 135	Zone 1, 2
		136 ⇔ 143	Zone 2, 3
		144 ⇔ 151	Zone 3, 4
		152 ⇔ 159	Zone 4, 5
		160 ⇔ 167	Zone 1, 5
		168 ⇔ 175	Zone 1, 2, 3
		176 ⇔ 183	Zone 2, 3, 4
		184 ⇔ 191	Zone 3, 4, 5
		192 ⇔ 199	Zone 1, 4, 5
		200 ⇔ 207	Zone 1, 2, 5
		208 ⇔ 215	Zone 1, 2, 3, 4
		216 ⇔ 223	Zone 2, 3, 4, 5
		224 ⇔ 231	Zone 1, 3, 4, 5
		232 ⇔ 239	Zone 1, 2, 4, 5
240 ⇔ 247	Zone 1, 2, 3, 5		
248 ⇔ 255	Zone 1, 2, 3, 4, 5		

Canal	Fonction	Valeur	Pourcentage/Configuration
51	Programmes	000 ⇔ 015	Pas de fonction
		016 ⇔ 020	Cercle macro 1
		021 ⇔ 025	Cercle macro 2
		026 ⇔ 030	Cercle macro 3
		031 ⇔ 035	Cercle macro 4
		036 ⇔ 040	Cercle macro 5
		041 ⇔ 045	Cercle macro 6
		046 ⇔ 050	Cercle macro 7
		051 ⇔ 055	Cercle macro 8
		056 ⇔ 060	Cercle macro 9
		061 ⇔ 065	Cercle macro 10
		066 ⇔ 070	Cercle macro 11
		071 ⇔ 075	Cercle macro 12
		076 ⇔ 080	Cercle macro 13
		081 ⇔ 085	Cercle macro 14
		086 ⇔ 090	Cercle macro 15
		091 ⇔ 095	Cercle macro 16
		096 ⇔ 100	Cercle macro 17
		101 ⇔ 105	Cercle macro 18
		106 ⇔ 110	Cercle macro 19
		111 ⇔ 115	Cercle macro 20
		116 ⇔ 120	Cercle macro 21
		121 ⇔ 125	Cercle macro 22
		126 ⇔ 130	Cercle macro 23
		131 ⇔ 135	Cercle macro 24
		136 ⇔ 140	Macro cercle de couleur 1
		141 ⇔ 145	Macro cercle de couleur 2
		146 ⇔ 150	Macro cercle de couleur 3
		151 ⇔ 155	Macro cercle de couleur 4
		156 ⇔ 160	Macro cercle de couleur 5
		161 ⇔ 165	Macro cercle de couleur 6
		166 ⇔ 170	Macro cercle de couleur 7
		171 ⇔ 175	Macro cercle de couleur 8
		176 ⇔ 180	Macro cercle de couleur 9
		181 ⇔ 185	Macro cercle de couleur 10
		186 ⇔ 190	Macro cercle de couleur 11
		191 ⇔ 195	Macro cercle de couleur 12
		196 ⇔ 200	Macro cercle de couleur 13
		201 ⇔ 205	Macro cercle de couleur 14
		206 ⇔ 210	Macro cercle de couleur 15
211 ⇔ 215	Macro cercle de couleur 16		
216 ⇔ 220	Macro cercle de couleur 17		
221 ⇔ 225	Macro cercle de couleur 18		
226 ⇔ 230	Macro cercle de couleur 19		
231 ⇔ 235	Macro cercle de couleur 20		
236 ⇔ 240	Macro cercle de couleur 21		
241 ⇔ 245	Macro cercle de couleur 22		
246 ⇔ 250	Macro cercle de couleur 23		
251 ⇔ 255	Macro cercle de couleur 24		
52	Vitesse automatique	000 ⇔ 255	0-100%

Canal	Fonction	Valeur	Pourcentage/Configuration
53	Macros de mouvements	000 ⇔ 007	Pas de fonction
		008 ⇔ 023	Macro de mouvement 1
		024 ⇔ 039	Macro de mouvement 2
		040 ⇔ 055	Macro de mouvement 3
		056 ⇔ 071	Macro de mouvement 4
		072 ⇔ 087	Macro de mouvement 5
		088 ⇔ 103	Macro de mouvement 6
		104 ⇔ 119	Macro de mouvement 7
		120 ⇔ 135	Macro de mouvement 8
		136 ⇔ 151	Macro de mouvement 9
		152 ⇔ 167	Macro de mouvement 10
		168 ⇔ 183	Macro de mouvement 11
		184 ⇔ 199	Macro de mouvement 12
		200 ⇔ 215	Macro de mouvement 13
		216 ⇔ 231	Macro de mouvement 14
		232 ⇔ 247	Macro de mouvement 15
248 ⇔ 255	Macro de mouvement 16		
54	Vitesse de macro	000 ⇔ 255	Vitesse de macro de mouvement, rapide à lent
55	Zoom	000 ⇔ 255	0–100%
56	Contrôle (délai d'activation de 5 secondes)	000 ⇔ 009	Pas de fonction
		010 ⇔ 014	Faire le noir pendant mouvement pan/tilt
		015 ⇔ 049	Pas de fonction
		050 ⇔ 054	Réinitialisation pan
		055 ⇔ 059	Réinitialisation tilt
		060 ⇔ 064	Réinitialisation zoom
		065 ⇔ 069	Pas de fonction
		070 ⇔ 074	Tout réinitialiser
		075 ⇔ 079	Pas de fonction
		080 ⇔ 084	Fonctionnement inversé du pan et tilt
		085 ⇔ 089	Fonctionnement inversé du pan
		090 ⇔ 094	Fonctionnement inversé du tilt
		095 ⇔ 099	Fonctionnement normal du pan
		100 ⇔ 104	Fonctionnement normal du tilt
		105 ⇔ 109	Fonctionnement normal du pan et tilt
		110 ⇔ 119	Pas de fonction
		120 ⇔ 124	Ventilateur en mode ECO
		125 ⇔ 129	Vitesse maximale ventilateur
		130 ⇔ 134	Ventilateur automatique
		135 ⇔ 139	Courbe rapide de gradation
140 ⇔ 144	Courbe lisse de gradation		
145 ⇔ 255	Pas de fonction		

54CH

Canal	Fonction	Valeur	Pourcentage/Configuration
1	Pan	000 ⇔ 255	0–100%
2	Pan fin	000 ⇔ 255	Contrôle fin (16 bits)
3	Tilt	000 ⇔ 255	0–100%
4	Tilt fin	000 ⇔ 255	Contrôle fin (16 bits)
5	Vitesse de pan/tilt	000 ⇔ 255	Rapide à lent
6	Gradateur	000 ⇔ 255	0–100%
7	Gradateur fin	000 ⇔ 255	Contrôle fin (16 bits)

Canal	Fonction	Valeur	Pourcentage/Configuration
8	Stroboscope	000 ⇔ 019	Eteindre
		020 ⇔ 024	Allumé
		025 ⇔ 064	Stroboscope, rapide à lent
		065 ⇔ 069	Allumé
		070 ⇔ 084	Allumer vite, éteindre lentement (rapide à lent)
		085 ⇔ 089	Allumé
		090 ⇔ 104	Allumer lentement, éteindre vite (rapide à lent)
		105 ⇔ 109	Allumé
		110 ⇔ 124	Stroboscope aléatoire, rapide à lent
		125 ⇔ 129	Allumé
		130 ⇔ 144	Aléatoire : allumer vite, éteindre lentement (rapide à lent)
		145 ⇔ 149	Allumé
		150 ⇔ 164	Aléatoire : allumer lentement, éteindre vite (rapide à lent)
		165 ⇔ 169	Allumé
		170 ⇔ 184	Stroboscope de pulsation, rapide à lent
		184 ⇔ 189	Allumé
		190 ⇔ 204	Stroboscope aléatoire de pulsation, rapide à lent
		205 ⇔ 209	Allumé
		210 ⇔ 224	Allumer lentement, éteindre lentement (rapide à lent)
		225 ⇔ 229	Allumé
230 ⇔ 244	Stroboscope de pulsation, rapide à lent		
245 ⇔ 255	Allumé		
9	Rouge 1	000 ⇔ 255	0–100%
10	Rouge fin 1	000 ⇔ 255	Contrôle fin (16 bits)
11	Vert 1	000 ⇔ 255	0–100%
12	Vert fin 1	000 ⇔ 255	Contrôle fin (16 bits)
13	Bleu 1	000 ⇔ 255	0–100%
14	Bleu fin 1	000 ⇔ 255	Contrôle fin (16 bits)
15	Blanc 1	000 ⇔ 255	0–100%
16	Blanc fin 1	000 ⇔ 255	Contrôle fin (16 bits)
17	Rouge 2	000 ⇔ 255	0–100%
18	Rouge fin 2	000 ⇔ 255	Contrôle fin (16 bits)
19	Vert 2	000 ⇔ 255	0–100%
20	Vert fin 2	000 ⇔ 255	Contrôle fin (16 bits)
21	Bleu 2	000 ⇔ 255	0–100%
22	Bleu fin 2	000 ⇔ 255	Contrôle fin (16 bits)
23	Blanc 2	000 ⇔ 255	0–100%
24	Blanc fin 2	000 ⇔ 255	Contrôle fin (16 bits)
25	Rouge 3	000 ⇔ 255	0–100%
26	Rouge fin 3	000 ⇔ 255	Contrôle fin (16 bits)
27	Vert 3	000 ⇔ 255	0–100%
28	Vert fin 3	000 ⇔ 255	Contrôle fin (16 bits)
29	Bleu 3	000 ⇔ 255	0–100%
30	Bleu fin 3	000 ⇔ 255	Contrôle fin (16 bits)
31	Blanc 3	000 ⇔ 255	0–100%
32	Blanc fin 3	000 ⇔ 255	Contrôle fin (16 bits)
33	Rouge 4	000 ⇔ 255	0–100%
34	Rouge fin 4	000 ⇔ 255	Contrôle fin (16 bits)
35	Vert 4	000 ⇔ 255	0–100%
36	Vert fin 4	000 ⇔ 255	Contrôle fin (16 bits)
37	Bleu 4	000 ⇔ 255	0–100%
38	Bleu fin 4	000 ⇔ 255	Contrôle fin (16 bits)
39	Blanc 4	000 ⇔ 255	0–100%
40	Blanc fin 4	000 ⇔ 255	Contrôle fin (16 bits)
41	Rouge 5	000 ⇔ 255	0–100%

Canal	Fonction	Valeur	Pourcentage/Configuration
42	Rouge fin 5	000 ⇔ 255	Contrôle fin (16 bits)
43	Vert 5	000 ⇔ 255	0–100%
44	Vert fin 5	000 ⇔ 255	Contrôle fin (16 bits)
45	Bleu 5	000 ⇔ 255	0–100%
46	Bleu fin 5	000 ⇔ 255	Contrôle fin (16 bits)
47	Blanc 5	000 ⇔ 255	0–100%
48	Blanc fin 5	000 ⇔ 255	Contrôle fin (16 bits)
49	Couleur	000 ⇔ 004	Pas de fonction
		005 ⇔ 009	Couleur 1
		010 ⇔ 014	Couleur 2
		015 ⇔ 019	Couleur 3
		020 ⇔ 024	Couleur 4
		025 ⇔ 029	Couleur 5
		030 ⇔ 034	Couleur 6
		035 ⇔ 039	Couleur 7
		040 ⇔ 044	Couleur 8
		045 ⇔ 049	Couleur 9
		050 ⇔ 054	Couleur 10
		055 ⇔ 059	Couleur 11
		060 ⇔ 064	Couleur 12
		065 ⇔ 069	Couleur 13
		070 ⇔ 074	Couleur 14
		075 ⇔ 079	Couleur 15
		080 ⇔ 084	Couleur 16
		085 ⇔ 089	Couleur 17
		090 ⇔ 094	Couleur 18
		095 ⇔ 099	Couleur 19
		100 ⇔ 104	Couleur 20
		105 ⇔ 109	Couleur 21
		110 ⇔ 114	Couleur 22
		115 ⇔ 119	Couleur 23
		120 ⇔ 124	Couleur 24
		125 ⇔ 129	Couleur 25
		130 ⇔ 134	Couleur 26
		135 ⇔ 139	Couleur 27
		140 ⇔ 144	Couleur 28
		145 ⇔ 149	Couleur 29
150 ⇔ 154	Couleur 30		
155 ⇔ 159	Couleur 31		
160 ⇔ 164	Couleur 32		
165 ⇔ 169	Couleur 33		
170 ⇔ 174	Couleur 34		
175 ⇔ 179	Pas de fonction		
180 ⇔ 201	Défilement de couleur, rapide à lent		
202 ⇔ 207	Maintenir		
208 ⇔ 229	Défilement inverse de couleur, rapide à lent		
230 ⇔ 234	Pas de fonction		
235 ⇔ 249	Changement instantané de couleur, rapide à lent		
250 ⇔ 255	Pas de fonction		

Canal	Fonction	Valeur	Pourcentage/Configuration
50	Sélection de zone	000 ⇔ 007	Zone 1, 2, 3, 4, 5
		008 ⇔ 015	Zone 2, 3, 4, 5
		016 ⇔ 023	Zone 3, 4, 5
		024 ⇔ 031	Zone 4, 5
		032 ⇔ 039	Zone 5
		040 ⇔ 047	Pas de fonction
		048 ⇔ 055	Zone 1
		056 ⇔ 063	Zone 1, 2
		064 ⇔ 071	Zone 1, 2, 3
		072 ⇔ 079	Zone 1, 2, 3, 4
		080 ⇔ 087	Zone 1, 2, 3, 4, 5
		088 ⇔ 095	Zone 1
		096 ⇔ 103	Zone 2
		104 ⇔ 111	Zone 3
		112 ⇔ 119	Zone 4
		120 ⇔ 127	Zone 5
		128 ⇔ 135	Zone 1, 2
		136 ⇔ 143	Zone 2, 3
		144 ⇔ 151	Zone 3, 4
		152 ⇔ 159	Zone 4, 5
		160 ⇔ 167	Zone 1, 5
		168 ⇔ 175	Zone 1, 2, 3
		176 ⇔ 183	Zone 2, 3, 4
		184 ⇔ 191	Zone 3, 4, 5
		192 ⇔ 199	Zone 1, 4, 5
		200 ⇔ 207	Zone 1, 2, 5
		208 ⇔ 215	Zone 1, 2, 3, 4
		216 ⇔ 223	Zone 2, 3, 4, 5
		224 ⇔ 231	Zone 1, 3, 4, 5
		232 ⇔ 239	Zone 1, 2, 4, 5
		240 ⇔ 247	Zone 1, 2, 3, 5
		248 ⇔ 255	Zone 1, 2, 3, 4, 5

Canal	Fonction	Valeur	Pourcentage/Configuration
51	Programmes	000 ⇔ 015	Pas de fonction
		016 ⇔ 020	Cercle macro 1
		021 ⇔ 025	Cercle macro 2
		026 ⇔ 030	Cercle macro 3
		031 ⇔ 035	Cercle macro 4
		036 ⇔ 040	Cercle macro 5
		041 ⇔ 045	Cercle macro 6
		046 ⇔ 050	Cercle macro 7
		051 ⇔ 055	Cercle macro 8
		056 ⇔ 060	Cercle macro 9
		061 ⇔ 065	Cercle macro 10
		066 ⇔ 070	Cercle macro 11
		071 ⇔ 075	Cercle macro 12
		076 ⇔ 080	Cercle macro 13
		081 ⇔ 085	Cercle macro 14
		086 ⇔ 090	Cercle macro 15
		091 ⇔ 095	Cercle macro 16
		096 ⇔ 100	Cercle macro 17
		101 ⇔ 105	Cercle macro 18
		106 ⇔ 110	Cercle macro 19
		111 ⇔ 115	Cercle macro 20
		116 ⇔ 120	Cercle macro 21
		121 ⇔ 125	Cercle macro 22
		126 ⇔ 130	Cercle macro 23
		131 ⇔ 135	Cercle macro 24
		136 ⇔ 140	Macro cercle de couleur 1
		141 ⇔ 145	Macro cercle de couleur 2
		146 ⇔ 150	Macro cercle de couleur 3
		151 ⇔ 155	Macro cercle de couleur 4
		156 ⇔ 160	Macro cercle de couleur 5
		161 ⇔ 165	Macro cercle de couleur 6
		166 ⇔ 170	Macro cercle de couleur 7
171 ⇔ 175	Macro cercle de couleur 8		
176 ⇔ 180	Macro cercle de couleur 9		
181 ⇔ 185	Macro cercle de couleur 10		
186 ⇔ 190	Macro cercle de couleur 11		
191 ⇔ 195	Macro cercle de couleur 12		
196 ⇔ 200	Macro cercle de couleur 13		
201 ⇔ 205	Macro cercle de couleur 14		
206 ⇔ 210	Macro cercle de couleur 15		
211 ⇔ 215	Macro cercle de couleur 16		
216 ⇔ 220	Macro cercle de couleur 17		
221 ⇔ 225	Macro cercle de couleur 18		
226 ⇔ 230	Macro cercle de couleur 19		
231 ⇔ 235	Macro cercle de couleur 20		
236 ⇔ 240	Macro cercle de couleur 21		
241 ⇔ 245	Macro cercle de couleur 22		
246 ⇔ 250	Macro cercle de couleur 23		
251 ⇔ 255	Macro cercle de couleur 24		
52	Vitesse automatique	000 ⇔ 255	0–100%
53	Zoom	000 ⇔ 255	0–100%

Canal	Fonction	Valeur	Pourcentage/Configuration
54	Contrôle (délai d'activation de 5 secondes)	000 ⇔ 009	Pas de fonction
		010 ⇔ 014	Faire le noir pendant mouvement pan/tilt
		015 ⇔ 049	Pas de fonction
		050 ⇔ 054	Réinitialisation pan
		055 ⇔ 059	Réinitialisation tilt
		060 ⇔ 064	Réinitialisation zoom
		065 ⇔ 069	Pas de fonction
		070 ⇔ 074	Tout réinitialiser
		075 ⇔ 079	Pas de fonction
		080 ⇔ 084	Fonctionnement inversé du pan et tilt
		085 ⇔ 089	Fonctionnement inversé du pan
		090 ⇔ 094	Fonctionnement inversé du tilt
		095 ⇔ 099	Fonctionnement normal du pan
		100 ⇔ 104	Fonctionnement normal du tilt
		105 ⇔ 109	Fonctionnement normal du pan et tilt
		110 ⇔ 119	Pas de fonction
		120 ⇔ 124	Ventilateur en mode ECO
		125 ⇔ 129	Vitesse maximale ventilateur
		130 ⇔ 134	Ventilateur automatique
		135 ⇔ 139	Courbe rapide de gradation
140 ⇔ 144	Courbe lisse de gradation		
145 ⇔ 255	Pas de fonction		

54CH MS

Canal	Fonction	Valeur	Pourcentage/Configuration
1	Pan	000 ⇔ 255	0–100%
2	Pan fin	000 ⇔ 255	Contrôle fin (16 bits)
3	Tilt	000 ⇔ 255	0–100%
4	Tilt fin	000 ⇔ 255	Contrôle fin (16 bits)
5	Vitesse de pan/tilt	000 ⇔ 255	Rapide à lent
6	Gradateur	000 ⇔ 255	0–100%
7	Gradateur fin	000 ⇔ 255	Contrôle fin (16 bits)
8	Stroboscope	000 ⇔ 019	Éteindre
		020 ⇔ 024	Allumé
		025 ⇔ 064	Stroboscope, rapide à lent
		065 ⇔ 069	Allumé
		070 ⇔ 084	Allumer vite, éteindre lentement (rapide à lent)
		085 ⇔ 089	Allumé
		090 ⇔ 104	Allumer lentement, éteindre vite (rapide à lent)
		105 ⇔ 109	Allumé
		110 ⇔ 124	Stroboscope aléatoire, rapide à lent
		125 ⇔ 129	Allumé
		130 ⇔ 144	Aléatoire : allumer vite, éteindre lentement (rapide à lent)
		145 ⇔ 149	Allumé
		150 ⇔ 164	Aléatoire : allumer lentement, éteindre vite (rapide à lent)
		165 ⇔ 169	Allumé
		170 ⇔ 184	Stroboscope de pulsation, rapide à lent
		184 ⇔ 189	Allumé
		190 ⇔ 204	Stroboscope aléatoire de pulsation, rapide à lent
		205 ⇔ 209	Allumé
210 ⇔ 224	Allumer lentement, éteindre lentement (rapide à lent)		
225 ⇔ 229	Allumé		
230 ⇔ 244	Stroboscope de pulsation, rapide à lent		
245 ⇔ 255	Allumé		

Canal	Fonction	Valeur	Pourcentage/Configuration
9	Couleur	000 ⇔ 004	Pas de fonction
		005 ⇔ 009	Couleur 1
		010 ⇔ 014	Couleur 2
		015 ⇔ 019	Couleur 3
		020 ⇔ 024	Couleur 4
		025 ⇔ 029	Couleur 5
		030 ⇔ 034	Couleur 6
		035 ⇔ 039	Couleur 7
		040 ⇔ 044	Couleur 8
		045 ⇔ 049	Couleur 9
		050 ⇔ 054	Couleur 10
		055 ⇔ 059	Couleur 11
		060 ⇔ 064	Couleur 12
		065 ⇔ 069	Couleur 13
		070 ⇔ 074	Couleur 14
		075 ⇔ 079	Couleur 15
		080 ⇔ 084	Couleur 16
		085 ⇔ 089	Couleur 17
		090 ⇔ 094	Couleur 18
		095 ⇔ 099	Couleur 19
		100 ⇔ 104	Couleur 20
		105 ⇔ 109	Couleur 21
		110 ⇔ 114	Couleur 22
		115 ⇔ 119	Couleur 23
		120 ⇔ 124	Couleur 24
		125 ⇔ 129	Couleur 25
		130 ⇔ 134	Couleur 26
		135 ⇔ 139	Couleur 27
		140 ⇔ 144	Couleur 28
		145 ⇔ 149	Couleur 29
		150 ⇔ 154	Couleur 30
155 ⇔ 159	Couleur 31		
160 ⇔ 164	Couleur 32		
165 ⇔ 169	Couleur 33		
170 ⇔ 174	Couleur 34		
175 ⇔ 179	Pas de fonction		
180 ⇔ 201	Défilement de couleur, rapide à lent		
202 ⇔ 207	Maintenir		
208 ⇔ 229	Défilement inverse de couleur, rapide à lent		
230 ⇔ 234	Pas de fonction		
235 ⇔ 249	Changement instantané de couleur, rapide à lent		
250 ⇔ 255	Pas de fonction		

Canal	Fonction	Valeur	Pourcentage/Configuration
10	Sélection de zone	000 ⇔ 007	Zone 1, 2, 3, 4, 5
		008 ⇔ 015	Zone 2, 3, 4, 5
		016 ⇔ 023	Zone 3, 4, 5
		024 ⇔ 031	Zone 4, 5
		032 ⇔ 039	Zone 5
		040 ⇔ 047	Pas de fonction
		048 ⇔ 055	Zone 1
		056 ⇔ 063	Zone 1, 2
		064 ⇔ 071	Zone 1, 2, 3
		072 ⇔ 079	Zone 1, 2, 3, 4
		080 ⇔ 087	Zone 1, 2, 3, 4, 5
		088 ⇔ 095	Zone 1
		096 ⇔ 103	Zone 2
		104 ⇔ 111	Zone 3
		112 ⇔ 119	Zone 4
		120 ⇔ 127	Zone 5
		128 ⇔ 135	Zone 1, 2
		136 ⇔ 143	Zone 2, 3
		144 ⇔ 151	Zone 3, 4
		152 ⇔ 159	Zone 4, 5
		160 ⇔ 167	Zone 1, 5
		168 ⇔ 175	Zone 1, 2, 3
		176 ⇔ 183	Zone 2, 3, 4
		184 ⇔ 191	Zone 3, 4, 5
		192 ⇔ 199	Zone 1, 4, 5
		200 ⇔ 207	Zone 1, 2, 5
		208 ⇔ 215	Zone 1, 2, 3, 4
		216 ⇔ 223	Zone 2, 3, 4, 5
		224 ⇔ 231	Zone 1, 3, 4, 5
		232 ⇔ 239	Zone 1, 2, 4, 5
		240 ⇔ 247	Zone 1, 2, 3, 5
		248 ⇔ 255	Zone 1, 2, 3, 4, 5

Canal	Fonction	Valeur	Pourcentage/Configuration
11	Programmes	000 ⇔ 015	Pas de fonction
		016 ⇔ 020	Cercle macro 1
		021 ⇔ 025	Cercle macro 2
		026 ⇔ 030	Cercle macro 3
		031 ⇔ 035	Cercle macro 4
		036 ⇔ 040	Cercle macro 5
		041 ⇔ 045	Cercle macro 6
		046 ⇔ 050	Cercle macro 7
		051 ⇔ 055	Cercle macro 8
		056 ⇔ 060	Cercle macro 9
		061 ⇔ 065	Cercle macro 10
		066 ⇔ 070	Cercle macro 11
		071 ⇔ 075	Cercle macro 12
		076 ⇔ 080	Cercle macro 13
		081 ⇔ 085	Cercle macro 14
		086 ⇔ 090	Cercle macro 15
		091 ⇔ 095	Cercle macro 16
		096 ⇔ 100	Cercle macro 17
		101 ⇔ 105	Cercle macro 18
		106 ⇔ 110	Cercle macro 19
		111 ⇔ 115	Cercle macro 20
		116 ⇔ 120	Cercle macro 21
		121 ⇔ 125	Cercle macro 22
		126 ⇔ 130	Cercle macro 23
		131 ⇔ 135	Cercle macro 24
		136 ⇔ 140	Macro cercle de couleur 1
		141 ⇔ 145	Macro cercle de couleur 2
		146 ⇔ 150	Macro cercle de couleur 3
		151 ⇔ 155	Macro cercle de couleur 4
		156 ⇔ 160	Macro cercle de couleur 5
		161 ⇔ 165	Macro cercle de couleur 6
166 ⇔ 170	Macro cercle de couleur 7		
171 ⇔ 175	Macro cercle de couleur 8		
176 ⇔ 180	Macro cercle de couleur 9		
181 ⇔ 185	Macro cercle de couleur 10		
186 ⇔ 190	Macro cercle de couleur 11		
191 ⇔ 195	Macro cercle de couleur 12		
196 ⇔ 200	Macro cercle de couleur 13		
201 ⇔ 205	Macro cercle de couleur 14		
206 ⇔ 210	Macro cercle de couleur 15		
211 ⇔ 215	Macro cercle de couleur 16		
216 ⇔ 220	Macro cercle de couleur 17		
221 ⇔ 225	Macro cercle de couleur 18		
226 ⇔ 230	Macro cercle de couleur 19		
231 ⇔ 235	Macro cercle de couleur 20		
236 ⇔ 240	Macro cercle de couleur 21		
241 ⇔ 245	Macro cercle de couleur 22		
246 ⇔ 250	Macro cercle de couleur 23		
251 ⇔ 255	Macro cercle de couleur 24		
12	Vitesse automatique	000 ⇔ 255	0–100%
13	Zoom	000 ⇔ 255	0–100%

Canal	Fonction	Valeur	Pourcentage/Configuration
14	Contrôle (délai d'activation de 5 secondes)	000 ⇔ 009	Pas de fonction
		010 ⇔ 014	Faire le noir pendant mouvement pan/tilt
		015 ⇔ 049	Pas de fonction
		050 ⇔ 054	Réinitialisation pan
		055 ⇔ 059	Réinitialisation tilt
		060 ⇔ 064	Réinitialisation zoom
		065 ⇔ 069	Pas de fonction
		070 ⇔ 074	Tout réinitialiser
		075 ⇔ 079	Pas de fonction
		080 ⇔ 084	Fonctionnement inversé du pan et tilt
		085 ⇔ 089	Fonctionnement inversé du pan
		090 ⇔ 094	Fonctionnement inversé du tilt
		095 ⇔ 099	Fonctionnement normal du pan
		100 ⇔ 104	Fonctionnement normal du tilt
		105 ⇔ 109	Fonctionnement normal du pan et tilt
		110 ⇔ 119	Pas de fonction
		120 ⇔ 124	Ventilateur en mode ECO
		125 ⇔ 129	Vitesse maximale ventilateur
		130 ⇔ 134	Ventilateur automatique
		135 ⇔ 139	Courbe rapide de gradation
140 ⇔ 144	Courbe lisse de gradation		
145 ⇔ 255	Pas de fonction		
15	Rouge 1	000 ⇔ 255	0–100%
16	Rouge fin 1	000 ⇔ 255	Contrôle fin (16 bits)
17	Vert 1	000 ⇔ 255	0–100%
18	Vert fin 1	000 ⇔ 255	Contrôle fin (16 bits)
19	Bleu 1	000 ⇔ 255	0–100%
20	Bleu fin 1	000 ⇔ 255	Contrôle fin (16 bits)
21	Blanc 1	000 ⇔ 255	0–100%
22	Blanc fin 1	000 ⇔ 255	Contrôle fin (16 bits)
23	Rouge 2	000 ⇔ 255	0–100%
24	Rouge fin 2	000 ⇔ 255	Contrôle fin (16 bits)
25	Vert 2	000 ⇔ 255	0–100%
26	Vert fin 2	000 ⇔ 255	Contrôle fin (16 bits)
27	Bleu 2	000 ⇔ 255	0–100%
28	Bleu fin 2	000 ⇔ 255	Contrôle fin (16 bits)
29	Blanc 2	000 ⇔ 255	0–100%
30	Blanc fin 2	000 ⇔ 255	Contrôle fin (16 bits)
31	Rouge 3	000 ⇔ 255	0–100%
32	Rouge fin 3	000 ⇔ 255	Contrôle fin (16 bits)
33	Vert 3	000 ⇔ 255	0–100%
34	Vert fin 3	000 ⇔ 255	Contrôle fin (16 bits)
35	Bleu 3	000 ⇔ 255	0–100%
36	Bleu fin 3	000 ⇔ 255	Contrôle fin (16 bits)
37	Blanc 3	000 ⇔ 255	0–100%
38	Blanc fin 3	000 ⇔ 255	Contrôle fin (16 bits)
39	Rouge 4	000 ⇔ 255	0–100%
40	Rouge fin 4	000 ⇔ 255	Contrôle fin (16 bits)
41	Vert 4	000 ⇔ 255	0–100%
42	Vert fin 4	000 ⇔ 255	Contrôle fin (16 bits)
43	Bleu 4	000 ⇔ 255	0–100%
44	Bleu fin 4	000 ⇔ 255	Contrôle fin (16 bits)
45	Blanc 4	000 ⇔ 255	0–100%
46	Blanc fin 4	000 ⇔ 255	Contrôle fin (16 bits)
47	Rouge 5	000 ⇔ 255	0–100%

Canal	Fonction	Valeur	Pourcentage/Configuration
48	Rouge fin 5	000 ⇔ 255	Contrôle fin (16 bits)
49	Vert 5	000 ⇔ 255	0–100%
50	Vert fin 5	000 ⇔ 255	Contrôle fin (16 bits)
51	Bleu 5	000 ⇔ 255	0–100%
52	Bleu fin 5	000 ⇔ 255	Contrôle fin (16 bits)
53	Blanc 5	000 ⇔ 255	0–100%
54	Blanc fin 5	000 ⇔ 255	Contrôle fin (16 bits)

33CH

Canal	Fonction	Valeur	Pourcentage/Configuration
1	Pan	000 ⇔ 255	0–100%
2	Pan fin	000 ⇔ 255	Contrôle fin (16 bits)
3	Tilt	000 ⇔ 255	0–100%
4	Tilt fin	000 ⇔ 255	Contrôle fin (16 bits)
5	Vitesse de pan/tilt	000 ⇔ 255	Rapide à lent
6	Gradateur	000 ⇔ 255	0–100%
7	Stroboscope	000 ⇔ 019	Éteindre
		020 ⇔ 024	Allumé
		025 ⇔ 064	Stroboscope, rapide à lent
		065 ⇔ 069	Allumé
		070 ⇔ 084	Allumer vite, éteindre lentement (rapide à lent)
		085 ⇔ 089	Allumé
		090 ⇔ 104	Allumer lentement, éteindre vite (rapide à lent)
		105 ⇔ 109	Allumé
		110 ⇔ 124	Stroboscope aléatoire, rapide à lent
		125 ⇔ 129	Allumé
		130 ⇔ 144	Aléatoire : allumer vite, éteindre lentement (rapide à lent)
		145 ⇔ 149	Allumé
		150 ⇔ 164	Aléatoire : allumer lentement, éteindre vite (rapide à lent)
		165 ⇔ 169	Allumé
		170 ⇔ 184	Stroboscope de pulsation, rapide à lent
		184 ⇔ 189	Allumé
190 ⇔ 204	Stroboscope aléatoire de pulsation, rapide à lent		
205 ⇔ 209	Allumé		
210 ⇔ 224	Allumer lentement, éteindre lentement (rapide à lent)		
225 ⇔ 229	Allumé		
230 ⇔ 244	Stroboscope de pulsation, rapide à lent		
245 ⇔ 255	Allumé		
8	Rouge 1	000 ⇔ 255	0–100%
9	Vert 1	000 ⇔ 255	0–100%
10	Bleu 1	000 ⇔ 255	0–100%
11	Blanc 1	000 ⇔ 255	0–100%
12	Rouge 2	000 ⇔ 255	0–100%
13	Vert 2	000 ⇔ 255	0–100%
14	Bleu 2	000 ⇔ 255	0–100%
15	Blanc 2	000 ⇔ 255	0–100%
16	Rouge 3	000 ⇔ 255	0–100%
17	Vert 3	000 ⇔ 255	0–100%
18	Bleu 3	000 ⇔ 255	0–100%
19	Blanc 3	000 ⇔ 255	0–100%
20	Rouge 4	000 ⇔ 255	0–100%
21	Vert 4	000 ⇔ 255	0–100%
22	Bleu 4	000 ⇔ 255	0–100%
23	Blanc 4	000 ⇔ 255	0–100%
24	Rouge 5	000 ⇔ 255	0–100%

Canal	Fonction	Valeur	Pourcentage/Configuration
25	Vert 5	000 ⇔ 255	0–100%
26	Bleu 5	000 ⇔ 255	0–100%
27	Blanc 5	000 ⇔ 255	0–100%
28	Couleur	000 ⇔ 004	Pas de fonction
		005 ⇔ 009	Couleur 1
		010 ⇔ 014	Couleur 2
		015 ⇔ 019	Couleur 3
		020 ⇔ 024	Couleur 4
		025 ⇔ 029	Couleur 5
		030 ⇔ 034	Couleur 6
		035 ⇔ 039	Couleur 7
		040 ⇔ 044	Couleur 8
		045 ⇔ 049	Couleur 9
		050 ⇔ 054	Couleur 10
		055 ⇔ 059	Couleur 11
		060 ⇔ 064	Couleur 12
		065 ⇔ 069	Couleur 13
		070 ⇔ 074	Couleur 14
		075 ⇔ 079	Couleur 15
		080 ⇔ 084	Couleur 16
		085 ⇔ 089	Couleur 17
		090 ⇔ 094	Couleur 18
		095 ⇔ 099	Couleur 19
		100 ⇔ 104	Couleur 20
		105 ⇔ 109	Couleur 21
		110 ⇔ 114	Couleur 22
		115 ⇔ 119	Couleur 23
		120 ⇔ 124	Couleur 24
		125 ⇔ 129	Couleur 25
		130 ⇔ 134	Couleur 26
		135 ⇔ 139	Couleur 27
		140 ⇔ 144	Couleur 28
		145 ⇔ 149	Couleur 29
		150 ⇔ 154	Couleur 30
		155 ⇔ 159	Couleur 31
		160 ⇔ 164	Couleur 32
		165 ⇔ 169	Couleur 33
170 ⇔ 174	Couleur 34		
175 ⇔ 179	Pas de fonction		
180 ⇔ 201	Défilement de couleur, rapide à lent		
202 ⇔ 207	Maintenir		
208 ⇔ 229	Défilement inverse de couleur, rapide à lent		
230 ⇔ 234	Pas de fonction		
235 ⇔ 249	Changement instantané de couleur, rapide à lent		
250 ⇔ 255	Pas de fonction		

Canal	Fonction	Valeur	Pourcentage/Configuration
29	Sélection de zone	000 ⇔ 007	Zone 1, 2, 3, 4, 5
		008 ⇔ 015	Zone 2, 3, 4, 5
		016 ⇔ 023	Zone 3, 4, 5
		024 ⇔ 031	Zone 4, 5
		032 ⇔ 039	Zone 5
		040 ⇔ 047	Pas de fonction
		048 ⇔ 055	Zone 1
		056 ⇔ 063	Zone 1, 2
		064 ⇔ 071	Zone 1, 2, 3
		072 ⇔ 079	Zone 1, 2, 3, 4
		080 ⇔ 087	Zone 1, 2, 3, 4, 5
		088 ⇔ 095	Zone 1
		096 ⇔ 103	Zone 2
		104 ⇔ 111	Zone 3
		112 ⇔ 119	Zone 4
		120 ⇔ 127	Zone 5
		128 ⇔ 135	Zone 1, 2
		136 ⇔ 143	Zone 2, 3
		144 ⇔ 151	Zone 3, 4
		152 ⇔ 159	Zone 4, 5
		160 ⇔ 167	Zone 1, 5
		168 ⇔ 175	Zone 1, 2, 3
		176 ⇔ 183	Zone 2, 3, 4
		184 ⇔ 191	Zone 3, 4, 5
		192 ⇔ 199	Zone 1, 4, 5
		200 ⇔ 207	Zone 1, 2, 5
		208 ⇔ 215	Zone 1, 2, 3, 4
		216 ⇔ 223	Zone 2, 3, 4, 5
		224 ⇔ 231	Zone 1, 3, 4, 5
		232 ⇔ 239	Zone 1, 2, 4, 5
240 ⇔ 247	Zone 1, 2, 3, 5		
248 ⇔ 255	Zone 1, 2, 3, 4, 5		

Canal	Fonction	Valeur	Pourcentage/Configuration
30	Programmes	000 ⇔ 015	Pas de fonction
		016 ⇔ 020	Cercle macro 1
		021 ⇔ 025	Cercle macro 2
		026 ⇔ 030	Cercle macro 3
		031 ⇔ 035	Cercle macro 4
		036 ⇔ 040	Cercle macro 5
		041 ⇔ 045	Cercle macro 6
		046 ⇔ 050	Cercle macro 7
		051 ⇔ 055	Cercle macro 8
		056 ⇔ 060	Cercle macro 9
		061 ⇔ 065	Cercle macro 10
		066 ⇔ 070	Cercle macro 11
		071 ⇔ 075	Cercle macro 12
		076 ⇔ 080	Cercle macro 13
		081 ⇔ 085	Cercle macro 14
		086 ⇔ 090	Cercle macro 15
		091 ⇔ 095	Cercle macro 16
		096 ⇔ 100	Cercle macro 17
		101 ⇔ 105	Cercle macro 18
		106 ⇔ 110	Cercle macro 19
		111 ⇔ 115	Cercle macro 20
		116 ⇔ 120	Cercle macro 21
		121 ⇔ 125	Cercle macro 22
		126 ⇔ 130	Cercle macro 23
		131 ⇔ 135	Cercle macro 24
		136 ⇔ 140	Macro cercle de couleur 1
		141 ⇔ 145	Macro cercle de couleur 2
		146 ⇔ 150	Macro cercle de couleur 3
		151 ⇔ 155	Macro cercle de couleur 4
		156 ⇔ 160	Macro cercle de couleur 5
		161 ⇔ 165	Macro cercle de couleur 6
		166 ⇔ 170	Macro cercle de couleur 7
		171 ⇔ 175	Macro cercle de couleur 8
		176 ⇔ 180	Macro cercle de couleur 9
		181 ⇔ 185	Macro cercle de couleur 10
		186 ⇔ 190	Macro cercle de couleur 11
		191 ⇔ 195	Macro cercle de couleur 12
		196 ⇔ 200	Macro cercle de couleur 13
		201 ⇔ 205	Macro cercle de couleur 14
		206 ⇔ 210	Macro cercle de couleur 15
		211 ⇔ 215	Macro cercle de couleur 16
		216 ⇔ 220	Macro cercle de couleur 17
		221 ⇔ 225	Macro cercle de couleur 18
		226 ⇔ 230	Macro cercle de couleur 19
		231 ⇔ 235	Macro cercle de couleur 20
		236 ⇔ 240	Macro cercle de couleur 21
		241 ⇔ 245	Macro cercle de couleur 22
		246 ⇔ 250	Macro cercle de couleur 23
251 ⇔ 255	Macro cercle de couleur 24		
31	Vitesse automatique	000 ⇔ 255	0–100%
32	Zoom	000 ⇔ 255	0–100%

Canal	Fonction	Valeur	Pourcentage/Configuration
33	Contrôle (délai d'activation de 5 secondes)	000 ⇔ 009	Pas de fonction
		010 ⇔ 014	Faire le noir pendant mouvement pan/tilt
		015 ⇔ 049	Pas de fonction
		050 ⇔ 054	Réinitialisation pan
		055 ⇔ 059	Réinitialisation tilt
		060 ⇔ 064	Réinitialisation zoom
		065 ⇔ 069	Pas de fonction
		070 ⇔ 074	Tout réinitialiser
		075 ⇔ 079	Pas de fonction
		080 ⇔ 084	Fonctionnement inversé du pan et tilt
		085 ⇔ 089	Fonctionnement inversé du pan
		090 ⇔ 094	Fonctionnement inversé du tilt
		095 ⇔ 099	Fonctionnement normal du pan
		100 ⇔ 104	Fonctionnement normal du tilt
		105 ⇔ 109	Fonctionnement normal du pan et tilt
		110 ⇔ 119	Pas de fonction
		120 ⇔ 124	Ventilateur en mode ECO
		125 ⇔ 129	Vitesse maximale ventilateur
		130 ⇔ 134	Ventilateur automatique
		135 ⇔ 139	Courbe rapide de gradation
140 ⇔ 144	Courbe lisse de gradation		
145 ⇔ 255	Pas de fonction		

33CH MS

Canal	Fonction	Valeur	Pourcentage/Configuration
1	Pan	000 ⇔ 255	0–100%
2	Pan fin	000 ⇔ 255	Contrôle fin (16 bits)
3	Tilt	000 ⇔ 255	0–100%
4	Tilt fin	000 ⇔ 255	Contrôle fin (16 bits)
5	Vitesse de pan/tilt	000 ⇔ 255	Rapide à lent
6	Gradateur	000 ⇔ 255	0–100%
7	Stroboscope	000 ⇔ 019	Éteindre
		020 ⇔ 024	Allumé
		025 ⇔ 064	Stroboscope, rapide à lent
		065 ⇔ 069	Allumé
		070 ⇔ 084	Allumer vite, éteindre lentement (rapide à lent)
		085 ⇔ 089	Allumé
		090 ⇔ 104	Allumer lentement, éteindre vite (rapide à lent)
		105 ⇔ 109	Allumé
		110 ⇔ 124	Stroboscope aléatoire, rapide à lent
		125 ⇔ 129	Allumé
		130 ⇔ 144	Aléatoire : allumer vite, éteindre lentement (rapide à lent)
		145 ⇔ 149	Allumé
		150 ⇔ 164	Aléatoire : allumer lentement, éteindre vite (rapide à lent)
		165 ⇔ 169	Allumé
		170 ⇔ 184	Stroboscope de pulsation, rapide à lent
		184 ⇔ 189	Allumé
		190 ⇔ 204	Stroboscope aléatoire de pulsation, rapide à lent
		205 ⇔ 209	Allumé
		210 ⇔ 224	Allumer lentement, éteindre lentement (rapide à lent)
		225 ⇔ 229	Allumé
230 ⇔ 244	Stroboscope de pulsation, rapide à lent		
245 ⇔ 255	Allumé		

Canal	Fonction	Valeur	Pourcentage/Configuration
8	Couleur	000 ⇔ 004	Pas de fonction
		005 ⇔ 009	Couleur 1
		010 ⇔ 014	Couleur 2
		015 ⇔ 019	Couleur 3
		020 ⇔ 024	Couleur 4
		025 ⇔ 029	Couleur 5
		030 ⇔ 034	Couleur 6
		035 ⇔ 039	Couleur 7
		040 ⇔ 044	Couleur 8
		045 ⇔ 049	Couleur 9
		050 ⇔ 054	Couleur 10
		055 ⇔ 059	Couleur 11
		060 ⇔ 064	Couleur 12
		065 ⇔ 069	Couleur 13
		070 ⇔ 074	Couleur 14
		075 ⇔ 079	Couleur 15
		080 ⇔ 084	Couleur 16
		085 ⇔ 089	Couleur 17
		090 ⇔ 094	Couleur 18
		095 ⇔ 099	Couleur 19
		100 ⇔ 104	Couleur 20
		105 ⇔ 109	Couleur 21
		110 ⇔ 114	Couleur 22
		115 ⇔ 119	Couleur 23
		120 ⇔ 124	Couleur 24
		125 ⇔ 129	Couleur 25
		130 ⇔ 134	Couleur 26
		135 ⇔ 139	Couleur 27
		140 ⇔ 144	Couleur 28
		145 ⇔ 149	Couleur 29
		150 ⇔ 154	Couleur 30
		155 ⇔ 159	Couleur 31
		160 ⇔ 164	Couleur 32
		165 ⇔ 169	Couleur 33
170 ⇔ 174	Couleur 34		
175 ⇔ 179	Pas de fonction		
180 ⇔ 201	Défilement de couleur, rapide à lent		
202 ⇔ 207	Maintenir		
208 ⇔ 229	Défilement inverse de couleur, rapide à lent		
230 ⇔ 234	Pas de fonction		
235 ⇔ 249	Changement instantané de couleur, rapide à lent		
250 ⇔ 255	Pas de fonction		

Canal	Fonction	Valeur	Pourcentage/Configuration
9	Sélection de zone	000 ⇔ 007	Zone 1, 2, 3, 4, 5
		008 ⇔ 015	Zone 2, 3, 4, 5
		016 ⇔ 023	Zone 3, 4, 5
		024 ⇔ 031	Zone 4, 5
		032 ⇔ 039	Zone 5
		040 ⇔ 047	Pas de fonction
		048 ⇔ 055	Zone 1
		056 ⇔ 063	Zone 1, 2
		064 ⇔ 071	Zone 1, 2, 3
		072 ⇔ 079	Zone 1, 2, 3, 4
		080 ⇔ 087	Zone 1, 2, 3, 4, 5
		088 ⇔ 095	Zone 1
		096 ⇔ 103	Zone 2
		104 ⇔ 111	Zone 3
		112 ⇔ 119	Zone 4
		120 ⇔ 127	Zone 5
		128 ⇔ 135	Zone 1, 2
		136 ⇔ 143	Zone 2, 3
		144 ⇔ 151	Zone 3, 4
		152 ⇔ 159	Zone 4, 5
		160 ⇔ 167	Zone 1, 5
		168 ⇔ 175	Zone 1, 2, 3
		176 ⇔ 183	Zone 2, 3, 4
		184 ⇔ 191	Zone 3, 4, 5
		192 ⇔ 199	Zone 1, 4, 5
		200 ⇔ 207	Zone 1, 2, 5
		208 ⇔ 215	Zone 1, 2, 3, 4
		216 ⇔ 223	Zone 2, 3, 4, 5
		224 ⇔ 231	Zone 1, 3, 4, 5
		232 ⇔ 239	Zone 1, 2, 4, 5
240 ⇔ 247	Zone 1, 2, 3, 5		
248 ⇔ 255	Zone 1, 2, 3, 4, 5		

Canal	Fonction	Valeur	Pourcentage/Configuration
10	Programmes	000 ⇔ 015	Pas de fonction
		016 ⇔ 020	Cercle macro 1
		021 ⇔ 025	Cercle macro 2
		026 ⇔ 030	Cercle macro 3
		031 ⇔ 035	Cercle macro 4
		036 ⇔ 040	Cercle macro 5
		041 ⇔ 045	Cercle macro 6
		046 ⇔ 050	Cercle macro 7
		051 ⇔ 055	Cercle macro 8
		056 ⇔ 060	Cercle macro 9
		061 ⇔ 065	Cercle macro 10
		066 ⇔ 070	Cercle macro 11
		071 ⇔ 075	Cercle macro 12
		076 ⇔ 080	Cercle macro 13
		081 ⇔ 085	Cercle macro 14
		086 ⇔ 090	Cercle macro 15
		091 ⇔ 095	Cercle macro 16
		096 ⇔ 100	Cercle macro 17
		101 ⇔ 105	Cercle macro 18
		106 ⇔ 110	Cercle macro 19
		111 ⇔ 115	Cercle macro 20
		116 ⇔ 120	Cercle macro 21
		121 ⇔ 125	Cercle macro 22
		126 ⇔ 130	Cercle macro 23
		131 ⇔ 135	Cercle macro 24
		136 ⇔ 140	Macro cercle de couleur 1
		141 ⇔ 145	Macro cercle de couleur 2
		146 ⇔ 150	Macro cercle de couleur 3
		151 ⇔ 155	Macro cercle de couleur 4
		156 ⇔ 160	Macro cercle de couleur 5
		161 ⇔ 165	Macro cercle de couleur 6
		166 ⇔ 170	Macro cercle de couleur 7
		171 ⇔ 175	Macro cercle de couleur 8
		176 ⇔ 180	Macro cercle de couleur 9
		181 ⇔ 185	Macro cercle de couleur 10
		186 ⇔ 190	Macro cercle de couleur 11
		191 ⇔ 195	Macro cercle de couleur 12
		196 ⇔ 200	Macro cercle de couleur 13
		201 ⇔ 205	Macro cercle de couleur 14
		206 ⇔ 210	Macro cercle de couleur 15
		211 ⇔ 215	Macro cercle de couleur 16
		216 ⇔ 220	Macro cercle de couleur 17
		221 ⇔ 225	Macro cercle de couleur 18
		226 ⇔ 230	Macro cercle de couleur 19
231 ⇔ 235	Macro cercle de couleur 20		
236 ⇔ 240	Macro cercle de couleur 21		
241 ⇔ 245	Macro cercle de couleur 22		
246 ⇔ 250	Macro cercle de couleur 23		
251 ⇔ 255	Macro cercle de couleur 24		
11	Vitesse automatique	000 ⇔ 255	0–100%
12	Zoom	000 ⇔ 255	0–100%

Canal	Fonction	Valeur	Pourcentage/Configuration
13	Contrôle (délai d'activation de 5 secondes)	000 ⇔ 009	Pas de fonction
		010 ⇔ 014	Faire le noir pendant mouvement pan/tilt
		015 ⇔ 049	Pas de fonction
		050 ⇔ 054	Réinitialisation pan
		055 ⇔ 059	Réinitialisation tilt
		060 ⇔ 064	Réinitialisation zoom
		065 ⇔ 069	Pas de fonction
		070 ⇔ 074	Tout réinitialiser
		075 ⇔ 079	Pas de fonction
		080 ⇔ 084	Fonctionnement inversé du pan et tilt
		085 ⇔ 089	Fonctionnement inversé du pan
		090 ⇔ 094	Fonctionnement inversé du tilt
		095 ⇔ 099	Fonctionnement normal du pan
		100 ⇔ 104	Fonctionnement normal du tilt
		105 ⇔ 109	Fonctionnement normal du pan et tilt
		110 ⇔ 119	Pas de fonction
		120 ⇔ 124	Ventilateur en mode ECO
125 ⇔ 129	Vitesse maximale ventilateur		
130 ⇔ 134	Ventilateur automatique		
135 ⇔ 139	Courbe rapide de gradation		
140 ⇔ 144	Courbe lisse de gradation		
145 ⇔ 255	Pas de fonction		
14	Rouge 1	000 ⇔ 255	0–100%
15	Vert 1	000 ⇔ 255	0–100%
16	Bleu 1	000 ⇔ 255	0–100%
17	Blanc 1	000 ⇔ 255	0–100%
18	Rouge 2	000 ⇔ 255	0–100%
19	Vert 2	000 ⇔ 255	0–100%
20	Bleu 2	000 ⇔ 255	0–100%
21	Blanc 2	000 ⇔ 255	0–100%
22	Rouge 3	000 ⇔ 255	0–100%
23	Vert 3	000 ⇔ 255	0–100%
24	Bleu 3	000 ⇔ 255	0–100%
25	Blanc 3	000 ⇔ 255	0–100%
26	Rouge 4	000 ⇔ 255	0–100%
27	Vert 4	000 ⇔ 255	0–100%
28	Bleu 4	000 ⇔ 255	0–100%
29	Blanc 4	000 ⇔ 255	0–100%
30	Rouge 5	000 ⇔ 255	0–100%
31	Vert 5	000 ⇔ 255	0–100%
32	Bleu 5	000 ⇔ 255	0–100%
33	Blanc 5	000 ⇔ 255	0–100%

22CH

Canal	Fonction	Valeur	Pourcentage/Configuration
1	Pan	000 ⇔ 255	0–100%
2	Pan fin	000 ⇔ 255	Contrôle fin (16 bits)
3	Tilt	000 ⇔ 255	0–100%
4	Tilt fin	000 ⇔ 255	Contrôle fin (16 bits)
5	Vitesse de pan/tilt	000 ⇔ 255	Rapide à lent
6	Gradateur	000 ⇔ 255	0–100%
7	Gradateur fin	000 ⇔ 255	Contrôle fin (16 bits)

Canal	Fonction	Valeur	Pourcentage/Configuration
8	Stroboscope	000 ⇔ 019	Eteindre
		020 ⇔ 024	Allumé
		025 ⇔ 064	Stroboscope, rapide à lent
		065 ⇔ 069	Allumé
		070 ⇔ 084	Allumer vite, éteindre lentement (rapide à lent)
		085 ⇔ 089	Allumé
		090 ⇔ 104	Allumer lentement, éteindre vite (rapide à lent)
		105 ⇔ 109	Allumé
		110 ⇔ 124	Stroboscope aléatoire, rapide à lent
		125 ⇔ 129	Allumé
		130 ⇔ 144	Aléatoire : allumer vite, éteindre lentement (rapide à lent)
		145 ⇔ 149	Allumé
		150 ⇔ 164	Aléatoire : allumer lentement, éteindre vite (rapide à lent)
		165 ⇔ 169	Allumé
		170 ⇔ 184	Stroboscope de pulsation, rapide à lent
		184 ⇔ 189	Allumé
		190 ⇔ 204	Stroboscope aléatoire de pulsation, rapide à lent
		205 ⇔ 209	Allumé
		210 ⇔ 224	Allumer lentement, éteindre lentement (rapide à lent)
		225 ⇔ 229	Allumé
230 ⇔ 244	Stroboscope de pulsation, rapide à lent		
245 ⇔ 255	Allumé		
9	Rouge	000 ⇔ 255	0–100%
10	Rouge fin	000 ⇔ 255	Contrôle fin (16 bits)
11	Vert	000 ⇔ 255	0–100%
12	Vert fin	000 ⇔ 255	Contrôle fin (16 bits)
13	Bleu	000 ⇔ 255	0–100%
14	Bleu fin	000 ⇔ 255	Contrôle fin (16 bits)
15	Blanc	000 ⇔ 255	0–100%
16	Blanc fin	000 ⇔ 255	Contrôle fin (16 bits)

Canal	Fonction	Valeur	Pourcentage/Configuration
17	Couleur	000 ⇔ 004	Pas de fonction
		005 ⇔ 009	Couleur 1
		010 ⇔ 014	Couleur 2
		015 ⇔ 019	Couleur 3
		020 ⇔ 024	Couleur 4
		025 ⇔ 029	Couleur 5
		030 ⇔ 034	Couleur 6
		035 ⇔ 039	Couleur 7
		040 ⇔ 044	Couleur 8
		045 ⇔ 049	Couleur 9
		050 ⇔ 054	Couleur 10
		055 ⇔ 059	Couleur 11
		060 ⇔ 064	Couleur 12
		065 ⇔ 069	Couleur 13
		070 ⇔ 074	Couleur 14
		075 ⇔ 079	Couleur 15
		080 ⇔ 084	Couleur 16
		085 ⇔ 089	Couleur 17
		090 ⇔ 094	Couleur 18
		095 ⇔ 099	Couleur 19
		100 ⇔ 104	Couleur 20
		105 ⇔ 109	Couleur 21
		110 ⇔ 114	Couleur 22
		115 ⇔ 119	Couleur 23
		120 ⇔ 124	Couleur 24
		125 ⇔ 129	Couleur 25
		130 ⇔ 134	Couleur 26
		135 ⇔ 139	Couleur 27
		140 ⇔ 144	Couleur 28
		145 ⇔ 149	Couleur 29
		150 ⇔ 154	Couleur 30
		155 ⇔ 159	Couleur 31
160 ⇔ 164	Couleur 32		
165 ⇔ 169	Couleur 33		
170 ⇔ 174	Couleur 34		
175 ⇔ 179	Pas de fonction		
180 ⇔ 201	Défilement de couleur, rapide à lent		
202 ⇔ 207	Maintenir		
208 ⇔ 229	Défilement inverse de couleur, rapide à lent		
230 ⇔ 234	Pas de fonction		
235 ⇔ 249	Changement instantané de couleur, rapide à lent		
250 ⇔ 255	Pas de fonction		

Canal	Fonction	Valeur	Pourcentage/Configuration
18	Sélection de zone	000 ⇔ 007	Zone 1, 2, 3, 4, 5
		008 ⇔ 015	Zone 2, 3, 4, 5
		016 ⇔ 023	Zone 3, 4, 5
		024 ⇔ 031	Zone 4, 5
		032 ⇔ 039	Zone 5
		040 ⇔ 047	Pas de fonction
		048 ⇔ 055	Zone 1
		056 ⇔ 063	Zone 1, 2
		064 ⇔ 071	Zone 1, 2, 3
		072 ⇔ 079	Zone 1, 2, 3, 4
		080 ⇔ 087	Zone 1, 2, 3, 4, 5
		088 ⇔ 095	Zone 1
		096 ⇔ 103	Zone 2
		104 ⇔ 111	Zone 3
		112 ⇔ 119	Zone 4
		120 ⇔ 127	Zone 5
		128 ⇔ 135	Zone 1, 2
		136 ⇔ 143	Zone 2, 3
		144 ⇔ 151	Zone 3, 4
		152 ⇔ 159	Zone 4, 5
		160 ⇔ 167	Zone 1, 5
		168 ⇔ 175	Zone 1, 2, 3
		176 ⇔ 183	Zone 2, 3, 4
		184 ⇔ 191	Zone 3, 4, 5
		192 ⇔ 199	Zone 1, 4, 5
		200 ⇔ 207	Zone 1, 2, 5
		208 ⇔ 215	Zone 1, 2, 3, 4
		216 ⇔ 223	Zone 2, 3, 4, 5
		224 ⇔ 231	Zone 1, 3, 4, 5
		232 ⇔ 239	Zone 1, 2, 4, 5
		240 ⇔ 247	Zone 1, 2, 3, 5
		248 ⇔ 255	Zone 1, 2, 3, 4, 5

Canal	Fonction	Valeur	Pourcentage/Configuration
19	Programmes	000 ⇔ 015	Pas de fonction
		016 ⇔ 020	Cercle macro 1
		021 ⇔ 025	Cercle macro 2
		026 ⇔ 030	Cercle macro 3
		031 ⇔ 035	Cercle macro 4
		036 ⇔ 040	Cercle macro 5
		041 ⇔ 045	Cercle macro 6
		046 ⇔ 050	Cercle macro 7
		051 ⇔ 055	Cercle macro 8
		056 ⇔ 060	Cercle macro 9
		061 ⇔ 065	Cercle macro 10
		066 ⇔ 070	Cercle macro 11
		071 ⇔ 075	Cercle macro 12
		076 ⇔ 080	Cercle macro 13
		081 ⇔ 085	Cercle macro 14
		086 ⇔ 090	Cercle macro 15
		091 ⇔ 095	Cercle macro 16
		096 ⇔ 100	Cercle macro 17
		101 ⇔ 105	Cercle macro 18
		106 ⇔ 110	Cercle macro 19
		111 ⇔ 115	Cercle macro 20
		116 ⇔ 120	Cercle macro 21
		121 ⇔ 125	Cercle macro 22
		126 ⇔ 130	Cercle macro 23
		131 ⇔ 135	Cercle macro 24
		136 ⇔ 140	Macro cercle de couleur 1
		141 ⇔ 145	Macro cercle de couleur 2
		146 ⇔ 150	Macro cercle de couleur 3
		151 ⇔ 155	Macro cercle de couleur 4
		156 ⇔ 160	Macro cercle de couleur 5
		161 ⇔ 165	Macro cercle de couleur 6
		166 ⇔ 170	Macro cercle de couleur 7
171 ⇔ 175	Macro cercle de couleur 8		
176 ⇔ 180	Macro cercle de couleur 9		
181 ⇔ 185	Macro cercle de couleur 10		
186 ⇔ 190	Macro cercle de couleur 11		
191 ⇔ 195	Macro cercle de couleur 12		
196 ⇔ 200	Macro cercle de couleur 13		
201 ⇔ 205	Macro cercle de couleur 14		
206 ⇔ 210	Macro cercle de couleur 15		
211 ⇔ 215	Macro cercle de couleur 16		
216 ⇔ 220	Macro cercle de couleur 17		
221 ⇔ 225	Macro cercle de couleur 18		
226 ⇔ 230	Macro cercle de couleur 19		
231 ⇔ 235	Macro cercle de couleur 20		
236 ⇔ 240	Macro cercle de couleur 21		
241 ⇔ 245	Macro cercle de couleur 22		
246 ⇔ 250	Macro cercle de couleur 23		
251 ⇔ 255	Macro cercle de couleur 24		
20	Vitesse automatique	000 ⇔ 255	0–100%
21	Zoom	000 ⇔ 255	0–100%

Canal	Fonction	Valeur	Pourcentage/Configuration
22	Contrôle (délai d'activation de 5 secondes)	000 ⇔ 009	Pas de fonction
		010 ⇔ 014	Faire le noir pendant mouvement pan/tilt
		015 ⇔ 049	Pas de fonction
		050 ⇔ 054	Réinitialisation pan
		055 ⇔ 059	Réinitialisation tilt
		060 ⇔ 064	Réinitialisation zoom
		065 ⇔ 069	Pas de fonction
		070 ⇔ 074	Tout réinitialiser
		075 ⇔ 079	Pas de fonction
		080 ⇔ 084	Fonctionnement inversé du pan et tilt
		085 ⇔ 089	Fonctionnement inversé du pan
		090 ⇔ 094	Fonctionnement inversé du tilt
		095 ⇔ 099	Fonctionnement normal du pan
		100 ⇔ 104	Fonctionnement normal du tilt
		105 ⇔ 109	Fonctionnement normal du pan et tilt
		110 ⇔ 119	Pas de fonction
		120 ⇔ 124	Ventilateur en mode ECO
		125 ⇔ 129	Vitesse maximale ventilateur
		130 ⇔ 134	Ventilateur automatique
		135 ⇔ 139	Courbe rapide de gradation
140 ⇔ 144	Courbe lisse de gradation		
145 ⇔ 255	Pas de fonction		

17CH

Canal	Fonction	Valeur	Pourcentage/Configuration
1	Pan	000 ⇔ 255	0–100%
2	Pan fin	000 ⇔ 255	Contrôle fin (16 bits)
3	Tilt	000 ⇔ 255	0–100%
4	Tilt fin	000 ⇔ 255	Contrôle fin (16 bits)
5	Vitesse de pan/tilt	000 ⇔ 255	Rapide à lent
6	Gradateur	000 ⇔ 255	0–100%
7	Stroboscope	000 ⇔ 019	Éteindre
		020 ⇔ 024	Allumé
		025 ⇔ 064	Stroboscope, rapide à lent
		065 ⇔ 069	Allumé
		070 ⇔ 084	Allumer vite, éteindre lentement (rapide à lent)
		085 ⇔ 089	Allumé
		090 ⇔ 104	Allumer lentement, éteindre vite (rapide à lent)
		105 ⇔ 109	Allumé
		110 ⇔ 124	Stroboscope aléatoire, rapide à lent
		125 ⇔ 129	Allumé
		130 ⇔ 144	Aléatoire : allumer vite, éteindre lentement (rapide à lent)
		145 ⇔ 149	Allumé
		150 ⇔ 164	Aléatoire : allumer lentement, éteindre vite (rapide à lent)
		165 ⇔ 169	Allumé
		170 ⇔ 184	Stroboscope de pulsation, rapide à lent
		184 ⇔ 189	Allumé
		190 ⇔ 204	Stroboscope aléatoire de pulsation, rapide à lent
205 ⇔ 209	Allumé		
210 ⇔ 224	Allumer lentement, éteindre lentement (rapide à lent)		
225 ⇔ 229	Allumé		
230 ⇔ 244	Stroboscope de pulsation, rapide à lent		
245 ⇔ 255	Allumé		
8	Rouge	000 ⇔ 255	0–100%
9	Vert	000 ⇔ 255	0–100%

Canal	Fonction	Valeur	Pourcentage/Configuration
10	Bleu	000 ⇔ 255	0–100%
11	Blanc	000 ⇔ 255	0–100%
12	Couleur	000 ⇔ 004	Pas de fonction
		005 ⇔ 009	Couleur 1
		010 ⇔ 014	Couleur 2
		015 ⇔ 019	Couleur 3
		020 ⇔ 024	Couleur 4
		025 ⇔ 029	Couleur 5
		030 ⇔ 034	Couleur 6
		035 ⇔ 039	Couleur 7
		040 ⇔ 044	Couleur 8
		045 ⇔ 049	Couleur 9
		050 ⇔ 054	Couleur 10
		055 ⇔ 059	Couleur 11
		060 ⇔ 064	Couleur 12
		065 ⇔ 069	Couleur 13
		070 ⇔ 074	Couleur 14
		075 ⇔ 079	Couleur 15
		080 ⇔ 084	Couleur 16
		085 ⇔ 089	Couleur 17
		090 ⇔ 094	Couleur 18
		095 ⇔ 099	Couleur 19
		100 ⇔ 104	Couleur 20
		105 ⇔ 109	Couleur 21
		110 ⇔ 114	Couleur 22
		115 ⇔ 119	Couleur 23
		120 ⇔ 124	Couleur 24
		125 ⇔ 129	Couleur 25
		130 ⇔ 134	Couleur 26
		135 ⇔ 139	Couleur 27
		140 ⇔ 144	Couleur 28
		145 ⇔ 149	Couleur 29
		150 ⇔ 154	Couleur 30
		155 ⇔ 159	Couleur 31
		160 ⇔ 164	Couleur 32
		165 ⇔ 169	Couleur 33
170 ⇔ 174	Couleur 34		
175 ⇔ 179	Pas de fonction		
180 ⇔ 201	Défilement de couleur, rapide à lent		
202 ⇔ 207	Maintenir		
208 ⇔ 229	Défilement inverse de couleur, rapide à lent		
230 ⇔ 234	Pas de fonction		
235 ⇔ 249	Changement instantané de couleur, rapide à lent		
250 ⇔ 255	Pas de fonction		

Canal	Fonction	Valeur	Pourcentage/Configuration
13	Sélection de zone	000 ⇔ 007	Zone 1, 2, 3, 4, 5
		008 ⇔ 015	Zone 2, 3, 4, 5
		016 ⇔ 023	Zone 3, 4, 5
		024 ⇔ 031	Zone 4, 5
		032 ⇔ 039	Zone 5
		040 ⇔ 047	Pas de fonction
		048 ⇔ 055	Zone 1
		056 ⇔ 063	Zone 1, 2
		064 ⇔ 071	Zone 1, 2, 3
		072 ⇔ 079	Zone 1, 2, 3, 4
		080 ⇔ 087	Zone 1, 2, 3, 4, 5
		088 ⇔ 095	Zone 1
		096 ⇔ 103	Zone 2
		104 ⇔ 111	Zone 3
		112 ⇔ 119	Zone 4
		120 ⇔ 127	Zone 5
		128 ⇔ 135	Zone 1, 2
		136 ⇔ 143	Zone 2, 3
		144 ⇔ 151	Zone 3, 4
		152 ⇔ 159	Zone 4, 5
		160 ⇔ 167	Zone 1, 5
		168 ⇔ 175	Zone 1, 2, 3
		176 ⇔ 183	Zone 2, 3, 4
		184 ⇔ 191	Zone 3, 4, 5
		192 ⇔ 199	Zone 1, 4, 5
		200 ⇔ 207	Zone 1, 2, 5
		208 ⇔ 215	Zone 1, 2, 3, 4
		216 ⇔ 223	Zone 2, 3, 4, 5
		224 ⇔ 231	Zone 1, 3, 4, 5
		232 ⇔ 239	Zone 1, 2, 4, 5
		240 ⇔ 247	Zone 1, 2, 3, 5
		248 ⇔ 255	Zone 1, 2, 3, 4, 5

Canal	Fonction	Valeur	Pourcentage/Configuration
14	Programmes	000 ⇔ 015	Pas de fonction
		016 ⇔ 020	Cercle macro 1
		021 ⇔ 025	Cercle macro 2
		026 ⇔ 030	Cercle macro 3
		031 ⇔ 035	Cercle macro 4
		036 ⇔ 040	Cercle macro 5
		041 ⇔ 045	Cercle macro 6
		046 ⇔ 050	Cercle macro 7
		051 ⇔ 055	Cercle macro 8
		056 ⇔ 060	Cercle macro 9
		061 ⇔ 065	Cercle macro 10
		066 ⇔ 070	Cercle macro 11
		071 ⇔ 075	Cercle macro 12
		076 ⇔ 080	Cercle macro 13
		081 ⇔ 085	Cercle macro 14
		086 ⇔ 090	Cercle macro 15
		091 ⇔ 095	Cercle macro 16
		096 ⇔ 100	Cercle macro 17
		101 ⇔ 105	Cercle macro 18
		106 ⇔ 110	Cercle macro 19
		111 ⇔ 115	Cercle macro 20
		116 ⇔ 120	Cercle macro 21
		121 ⇔ 125	Cercle macro 22
		126 ⇔ 130	Cercle macro 23
		131 ⇔ 135	Cercle macro 24
		136 ⇔ 140	Macro cercle de couleur 1
		141 ⇔ 145	Macro cercle de couleur 2
		146 ⇔ 150	Macro cercle de couleur 3
		151 ⇔ 155	Macro cercle de couleur 4
		156 ⇔ 160	Macro cercle de couleur 5
		161 ⇔ 165	Macro cercle de couleur 6
166 ⇔ 170	Macro cercle de couleur 7		
171 ⇔ 175	Macro cercle de couleur 8		
176 ⇔ 180	Macro cercle de couleur 9		
181 ⇔ 185	Macro cercle de couleur 10		
186 ⇔ 190	Macro cercle de couleur 11		
191 ⇔ 195	Macro cercle de couleur 12		
196 ⇔ 200	Macro cercle de couleur 13		
201 ⇔ 205	Macro cercle de couleur 14		
206 ⇔ 210	Macro cercle de couleur 15		
211 ⇔ 215	Macro cercle de couleur 16		
216 ⇔ 220	Macro cercle de couleur 17		
221 ⇔ 225	Macro cercle de couleur 18		
226 ⇔ 230	Macro cercle de couleur 19		
231 ⇔ 235	Macro cercle de couleur 20		
236 ⇔ 240	Macro cercle de couleur 21		
241 ⇔ 245	Macro cercle de couleur 22		
246 ⇔ 250	Macro cercle de couleur 23		
251 ⇔ 255	Macro cercle de couleur 24		
15	Vitesse automatique	000 ⇔ 255	0–100%
16	Zoom	000 ⇔ 255	0–100%

Canal	Fonction	Valeur	Pourcentage/Configuration
17	Contrôle (délai d'activation de 5 secondes)	000 ⇔ 009	Pas de fonction
		010 ⇔ 014	Faire le noir pendant mouvement pan/tilt
		015 ⇔ 049	Pas de fonction
		050 ⇔ 054	Réinitialisation pan
		055 ⇔ 059	Réinitialisation tilt
		060 ⇔ 064	Réinitialisation zoom
		065 ⇔ 069	Pas de fonction
		070 ⇔ 074	Tout réinitialiser
		075 ⇔ 079	Pas de fonction
		080 ⇔ 084	Fonctionnement inversé du pan et tilt
		085 ⇔ 089	Fonctionnement inversé du pan
		090 ⇔ 094	Fonctionnement inversé du tilt
		095 ⇔ 099	Fonctionnement normal du pan
		100 ⇔ 104	Fonctionnement normal du tilt
		105 ⇔ 109	Fonctionnement normal du pan et tilt
		110 ⇔ 119	Pas de fonction
		120 ⇔ 124	Ventilateur en mode ECO
		125 ⇔ 129	Vitesse maximale ventilateur
		130 ⇔ 134	Ventilateur automatique
		135 ⇔ 139	Courbe rapide de gradation
140 ⇔ 144	Courbe lisse de gradation		
145 ⇔ 255	Pas de fonction		

15CH

Canal	Fonction	Valeur	Pourcentage/Configuration
1	Pan	000 ⇔ 255	0–100%
2	Pan fin	000 ⇔ 255	Contrôle fin (16 bits)
3	Tilt	000 ⇔ 255	0–100%
4	Tilt fin	000 ⇔ 255	Contrôle fin (16 bits)
5	Vitesse de pan/tilt	000 ⇔ 255	Rapide à lent
6	Gradateur	000 ⇔ 255	0–100%
7	Gradateur fin	000 ⇔ 255	Contrôle fin (16 bits)
8	Stroboscope	000 ⇔ 019	Éteindre
		020 ⇔ 024	Allumé
		025 ⇔ 064	Stroboscope, rapide à lent
		065 ⇔ 069	Allumé
		070 ⇔ 084	Allumer vite, éteindre lentement (rapide à lent)
		085 ⇔ 089	Allumé
		090 ⇔ 104	Allumer lentement, éteindre vite (rapide à lent)
		105 ⇔ 109	Allumé
		110 ⇔ 124	Stroboscope aléatoire, rapide à lent
		125 ⇔ 129	Allumé
		130 ⇔ 144	Aléatoire : allumer vite, éteindre lentement (rapide à lent)
		145 ⇔ 149	Allumé
		150 ⇔ 164	Aléatoire : allumer lentement, éteindre vite (rapide à lent)
		165 ⇔ 169	Allumé
		170 ⇔ 184	Stroboscope de pulsation, rapide à lent
		184 ⇔ 189	Allumé
		190 ⇔ 204	Stroboscope aléatoire de pulsation, rapide à lent
		205 ⇔ 209	Allumé
210 ⇔ 224	Allumer lentement, éteindre lentement (rapide à lent)		
225 ⇔ 229	Allumé		
230 ⇔ 244	Stroboscope de pulsation, rapide à lent		
245 ⇔ 255	Allumé		
9	Rouge	000 ⇔ 255	0–100%

Canal	Fonction	Valeur	Pourcentage/Configuration
10	Vert	000 ⇔ 255	0–100%
11	Bleu	000 ⇔ 255	0–100%
12	Blanc	000 ⇔ 255	0–100%
13	Couleur	000 ⇔ 004	Pas de fonction
		005 ⇔ 009	Couleur 1
		010 ⇔ 014	Couleur 2
		015 ⇔ 019	Couleur 3
		020 ⇔ 024	Couleur 4
		025 ⇔ 029	Couleur 5
		030 ⇔ 034	Couleur 6
		035 ⇔ 039	Couleur 7
		040 ⇔ 044	Couleur 8
		045 ⇔ 049	Couleur 9
		050 ⇔ 054	Couleur 10
		055 ⇔ 059	Couleur 11
		060 ⇔ 064	Couleur 12
		065 ⇔ 069	Couleur 13
		070 ⇔ 074	Couleur 14
		075 ⇔ 079	Couleur 15
		080 ⇔ 084	Couleur 16
		085 ⇔ 089	Couleur 17
		090 ⇔ 094	Couleur 18
		095 ⇔ 099	Couleur 19
		100 ⇔ 104	Couleur 20
		105 ⇔ 109	Couleur 21
		110 ⇔ 114	Couleur 22
		115 ⇔ 119	Couleur 23
		120 ⇔ 124	Couleur 24
		125 ⇔ 129	Couleur 25
		130 ⇔ 134	Couleur 26
		135 ⇔ 139	Couleur 27
		140 ⇔ 144	Couleur 28
		145 ⇔ 149	Couleur 29
		150 ⇔ 154	Couleur 30
		155 ⇔ 159	Couleur 31
160 ⇔ 164	Couleur 32		
165 ⇔ 169	Couleur 33		
170 ⇔ 174	Couleur 34		
175 ⇔ 179	Pas de fonction		
180 ⇔ 201	Défilement de couleur, rapide à lent		
202 ⇔ 207	Maintenir		
208 ⇔ 229	Défilement inverse de couleur, rapide à lent		
230 ⇔ 234	Pas de fonction		
235 ⇔ 249	Changement instantané de couleur, rapide à lent		
250 ⇔ 255	Pas de fonction		
14	Zoom	000 ⇔ 255	0–100%

Canal	Fonction	Valeur	Pourcentage/Configuration
15	Contrôle (délai d'activation de 5 secondes)	000 ⇔ 009	Pas de fonction
		010 ⇔ 014	Faire le noir pendant mouvement pan/tilt
		015 ⇔ 049	Pas de fonction
		050 ⇔ 054	Réinitialisation pan
		055 ⇔ 059	Réinitialisation tilt
		060 ⇔ 064	Réinitialisation zoom
		065 ⇔ 069	Pas de fonction
		070 ⇔ 074	Tout réinitialiser
		075 ⇔ 079	Pas de fonction
		080 ⇔ 084	Fonctionnement inversé du pan et tilt
		085 ⇔ 089	Fonctionnement inversé du pan
		090 ⇔ 094	Fonctionnement inversé du tilt
		095 ⇔ 099	Fonctionnement normal du pan
		100 ⇔ 104	Fonctionnement normal du tilt
		105 ⇔ 109	Fonctionnement normal du pan et tilt
		110 ⇔ 119	Pas de fonction
		120 ⇔ 124	Ventilateur en mode ECO
		125 ⇔ 129	Vitesse maximale ventilateur
		130 ⇔ 134	Ventilateur automatique
		135 ⇔ 139	Courbe rapide de gradation
		140 ⇔ 144	Courbe lisse de gradation
145 ⇔ 255	Pas de fonction		

Über diese Schnellanleitung

In der Schnellanleitung des Rogue R2X Wash finden Sie die wesentlichen Produktinformationen, wie etwa über die Montage, Menüoptionen und DMX-Werte des Geräts. Laden Sie für weiterführende Informationen unter www.chauvetprofessional.com das Benutzerhandbuch herunter.

Haftungsausschluss

Die in dieser Anleitung aufgeführten Informationen und Spezifikationen können ohne vorherige Ankündigung geändert werden.

EINGESCHRÄNKTE GARANTIE

ZUR REGISTRIERUNG FÜR GARANTIEANSPRÜCHE UND ZUR EINSICHT IN DIE VOLLSTÄNDIGEN GESCHÄFTSBEDINGUNGEN BESUCHEN SIE BITTE UNSERE WEBSITE.

Für Kunden in den USA und in Mexiko: www.chauvetlighting.com/warranty-registration.

Für Kunden im Vereinigten Königreich, in Irland, Belgien, den Niederlanden, Luxemburg, Frankreich und Deutschland: www.chauvetlighting.eu/warranty-registration.

Chauvet garantiert für die in der auf unserer Website veröffentlichten vollständigen eingeschränkten Garantie genannten Dauer und unter Vorbehalt der darin genannten Haftungsausschlüsse und -beschränkungen, dass dieses Produkt bei normalen Gebrauch frei von Material- und Verarbeitungsfehlern ist. Diese Garantie erstreckt sich nur auf den Erstkäufer des Produkts und ist nicht übertragbar. Zur Ausübung der unter dieser Garantie gewährten Rechte ist der Kaufbeleg in Form der Originalrechnung von einem autorisierten Händler vorzulegen, in der die Produktbezeichnung und das Kaufdatum vermerkt sein müssen. ES BESTEHEN KEINE WEITEREN AUSDRÜCKLICHEN ODER STILLSCHWEIGENDEN GARANTIEN. Diese Garantie gibt Ihnen besondere gesetzliche Rechte. Und Sie haben möglicherweise weitere Rechte, die von Land zu Land unterschiedlich sein können. Diese Garantie ist nur in den USA, im Vereinigten Königreich, in Irland, Belgien, den Niederlanden, Luxemburg, Frankreich, Deutschland und Mexiko gültig. Bezüglich der Garantiebestimmungen in anderen Ländern wenden Sie sich bitte an Ihren lokalen Händler.

Sicherheitshinweise

- Dieses Gerät NICHT öffnen. Die eingebauten Komponenten sind für den Kunden wartungsfrei.
- NIEMALS in die Lichtquelle schauen, während das Gerät eingeschaltet ist.
- Um unnötigen Verschleiß zu vermeiden und die Lebensdauer des Geräts zu verlängern, trennen Sie während längerer Perioden des Nichtgebrauchs das Gerät vom Stromnetz – entweder per Trennschalter oder durch Herausziehen des Steckers aus der Steckdose.
- VORSICHT: Beim Transport des Geräts von einer Umgebung mit außergewöhnlichen Temperaturen in eine andere solche Umgebung (z. B. aus einem kalten Transporter in einen warm-feuchten Ballsaal) kann an der im Gerät enthaltenen Elektronik Wasser kondensieren. Um einen Defekt zu vermeiden, muss sich das Gerät erst in der neuen Umgebung akklimatisiert haben, bevor es an die Stromversorgung angeschlossen werden kann.
- VORSICHT: Das Gehäuse dieses Produkts kann während des Betriebs heiß werden.
- Installieren Sie das Gerät an einem Ort mit ausreichender Belüftung und mit einem Abstand von mindestens 50 cm zu den angrenzenden Flächen.
- Belassen Sie KEINE entflammaren Materialien in einem Umkreis von 50 cm dieses Geräts, während es in Betrieb oder an der Stromversorgung angeschlossen ist.
- VERWENDEN Sie bei Montage über Kopf immer ein Sicherheitsseil.
- Nehmen sie das Gerät NICHT im Freien oder an einem Ort in Betrieb, der durch Staubentwicklung, übermäßige Hitze, Wasser oder hohe Luftfeuchtigkeit charakterisiert ist. (IP20)
- NIEMALS das Gerät in Betrieb nehmen, wenn Ihnen das Gehäuse, die Linsen oder das Kabel beschädigt erscheinen.
- Schließen Sie dieses Gerät NICHT an einen Dimmer oder Regelwiderstand an.
- Schließen Sie dieses Produkt NUR an einen mit der Erde verbundenen und geschützten Stromkreis an.
- Das Gerät NUR an den Hänge-/Befestigungsbügeln oder Griffen tragen.
- Bei ernsthaften Betriebsproblemen stoppen Sie umgehend die Verwendung des Geräts.
- Die maximal zulässige Umgebungstemperatur beträgt 45 °C. Nehmen Sie das Gerät nicht bei höheren Temperaturen in Betrieb.

FCC-Konformität

Dieses Gerät erfüllt Teil 15, Teil B, der FCC-Bestimmungen. Der Betrieb ist an folgende zwei Bedingungen geknüpft:

1. Dieses Gerät darf keine schädlichen Interferenzen verursachen, und
2. Dieses Gerät muss empfangende Interferenzen aufnehmen können, auch Interferenzen, die eventuell einen unerwünschten Betrieb verursachen.

Jegliche Änderungen oder Modifikationen, die nicht ausdrücklich von der Partei genehmigt wurden, die für die Compliance zuständig ist, könnten die Berechtigung des Benutzers zum Betrieb dieses Geräts aufheben.

Kontakt

Kunden außerhalb der USA, GB, Irland, Benelux, Frankreich, Deutschland oder Mexiko wenden sich an ihren Lieferanten, um den Kundensupport in Anspruch zu nehmen oder ein Produkt zurückzuschicken. Kontaktinformationen finden Sie im [Contact Us](#) am Ende dieses QRG.

Packungsinhalt

- Rogue R2X Wash mit Blendschutz
- Neutrik® powerCON® Netzkabel
- Omega-Hängebügel
- Schnellanleitung

Wechselstrom

Dieses Gerät verfügt über ein Vorschaltgerät, das automatisch die anliegende Spannung erkennt, sobald der Netzstecker in die Schukosteckdose gesteckt wird, und kann mit einer Eingangsspannung von 100~240 V AC, 50/60 Hz arbeiten.

Serienschaltung der Geräte

Sie können bis zu 4 Rogue R2X Wash-Geräte bei 120 V AC, 8 Geräte bei 208 V AC, oder 9 Geräte bei 230 V AC in Serie schalten. Diese Anzahl niemals überschreiten! Stromkabel für die Serienschaltung können separat erworben werden.

Wechselstromstecker

Anschluss	Draht (USA)	Draht (Europa)	Schraubenfarbe
Stromführender AC-Leiter	Schwarz	Braun	Gelb/Messingfarben
AC-Neutralleiter	Weiß	Blau	Silber
AC-Erdungsleiter	Grün/Gelb	Grün/Gelb	Grün



Um unnötigen Verschleiß zu vermeiden und die Lebensdauer des Geräts zu verlängern, trennen Sie während längerer Perioden des Nichtgebrauchs das Gerät vom Stromnetz – entweder per Trennschalter oder durch Herausziehen des Steckers aus der Steckdose.

Auswechseln der Sicherung

1. Trennen Sie das Gerät vom Stromnetz.
2. Mit einem Flachkopfschraubendreher lösen Sie die Abdeckung des Sicherungshalters vom Gehäuse.
3. Entfernen Sie die durchgebrannte Sicherung, und ersetzen Sie diese durch eine Sicherung des gleichen Typs und mit den gleichen Werten.
4. Schrauben Sie die Abdeckung der Sicherung wieder ein, und schließen Sie das Gerät wieder an das Stromnetz an.

DMX-Verbindung

Der Rogue R2X Wash kann mit einem DMX-Controller betrieben werden, wenn eine 3- oder 5-polige DMX-Serienschaltung zum Einsatz kommt. Sie können sich eine Einführung in DMX unter www.chauvetprofessional.com herunterladen.

DMX-Anschluss

Der Rogue R2X Wash nutzt zur seiner Kontrollpersönlichkeiten: **15CH, 17CH, 22CH, 33CH, 33CH MS, 54CH, 54CH MS** und **56CH** eine 3- oder 5-polige DMX-Datenverbindung. Informationen zum Anschließen und Konfigurieren des Geräts für einen DMX-Betrieb finden Sie in der Bedienungsanleitung.

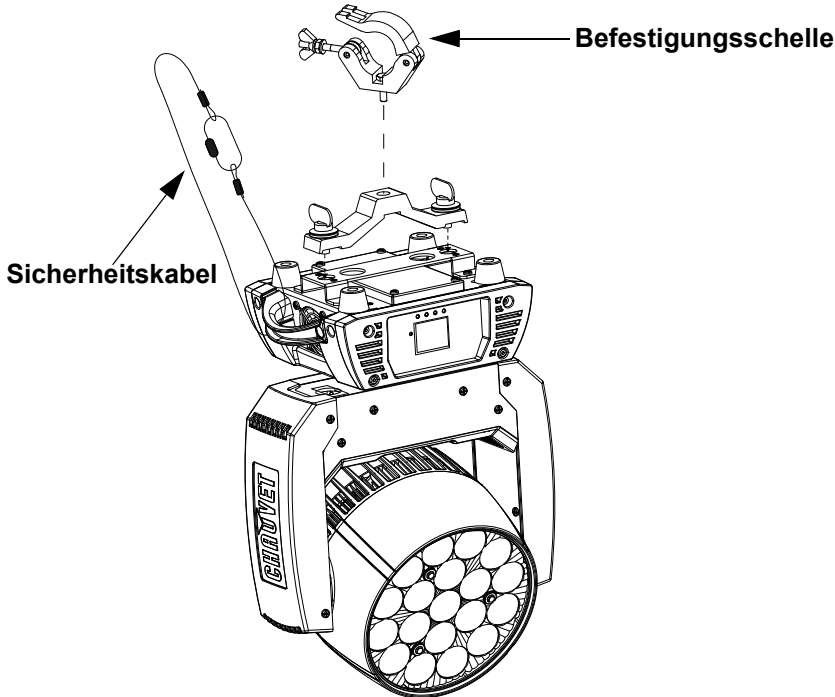
RDM (Remote Device Management)

Remote Device Management bzw. RDM ist ein Standard, mit dem DMX-aktivierte Geräte bidirektional entlang bestehender DMX-Kabel kommunizieren können. Lesen Sie die Bedienungsanleitung des DMX-Controllers oder wenden Sie sich an den Hersteller, da nicht alle DMX-Controller über diese Funktion verfügt. Der Rogue R2X Wash unterstützt das RDM-Protokoll, das ein Feedback zur Vornahme von Änderungen der Menüoptionen erlaubt. Laden Sie für weiterführende Informationen unter www.chauvetprofessional.com das Benutzerhandbuch herunter.

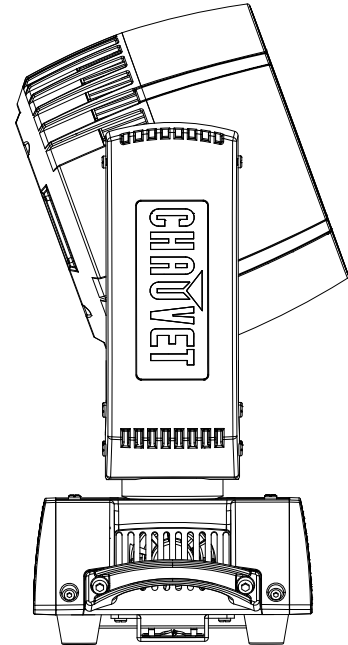
Montage

Lesen Sie vor der Montage dieses Geräts die [Sicherheitshinweise](#) durch. Mindestens ein Befestigungspunkt pro Gerät verwenden. Stellen Sie sicher, dass die Befestigungsklemmen dafür ausgelegt sind, das Produktgewicht tragen zu können. Informationen zu unserer CHAUVET-Produktlinie für Befestigungsklemmen finden Sie unter <http://trusst.com/productcategory/truss-clamps/>.

Montageansicht



Montage über Kopf



Oberflächenmontage



Versichern Sie sich, dass bei Verwendung von nur einer Befestigungsschelle eine Sicherungsschraube zum Einsatz kommt, um ein unbeabsichtigtes Lösen zu verhindern.

Beschreibung des Bedienfeldes

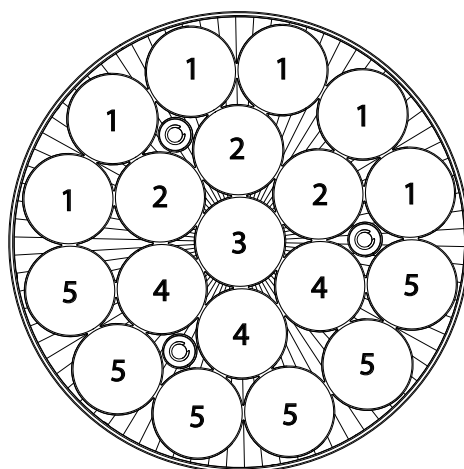
Taste	Funktion
<MENU>	Damit verlassen Sie das aktuelle Menü oder die Funktion
<ENTER>	Damit wird das aktuell angezeigte Menü aktiviert oder der aktuell ausgewählte Wert einer Funktion eingestellt
<UP>	Damit navigieren Sie sich durch die Menüpunkte nach oben und erhöhen den numerischen Wert der entsprechenden Funktion
<DOWN>	Damit navigieren Sie sich durch die Menüpunkte nach unten und verringern den numerischen Wert der entsprechenden Funktion

Menüstruktur

Hauptebene	Programmirebenen		Beschreibung	
Address	001–512		Stellt die Startadresse ein	
Run Mode	DMX	14CH	Wählt die DMX-Persönlichkeit aus	
		15CH		
		19CH		
		21CH		
	Auto Test		Automatischer Test aller Funktionen	
	Manual Test	Pan	000–255	Manuelle Steuerung und Test aller Einstellungen vom Bedienfeld aus
		Tilt		
		Dimmer		
		Shutter		
		Red		
Green				
Blue				
White				
Zoom				
Setup	Pan Reverse	OFF	Schwenk Normal	
		ON	Umgekehrte Schwenkung	
	Tilt Reverse	OFF	Neigung Normal	
		ON	Umgekehrte Neigung	
	Pan Angle	540	Schwenkbereich 540°	
		360	Schwenkbereich 360°	
		180	Schwenkbereich 180°	
	Tilt Angle	230	Neigungsbereich 230°	
		180	Neigungsbereich 180°	
		90	Neigungsbereich 90°	
	Fans	Auto	Lüfterdrehzahl gemäß Gerätetemperatur	
		ECO	Lautloser Modus	
		Full	Lüfterdrehzahl auf volle Drehzahl	
	Display	OFF	Anzeige schaltet aus	
		ON	Anzeige bleibt an	
	Screen Rev	OFF	Normale Anzeige	
		ON	Umgekehrte Anzeige	
	Dimmer Curve	Linear	Stellt die Dimmungskurve ein	
Square				
I Squa				
SCurve				
Dimmer Speed	Smooth	Glatter Dimmgeschwindigkeit		
	Fast	Schneller Dimmgeschwindigkeit		
LED R POWER	050–100	Stellt die rote LED-Leistung ein		
LED G POWER	050–100	Stellt die grüne LED-Leistung ein		
LED B POWER	050–100	Stellt die blaue LED-Leistung ein		
LED W POWER	050–100	Stellt die weiße LED-Leistung ein		

Hauptebene	Programmirebenen			Beschreibung	
Setup (Fortsetzung)	Color Calibration	Off		Verwendet den maximalen Ausgabewert	
		On		Verwendet die werksseitig voreingestellte Standardeinstellung "Weiß"	
		Custom	RED	100–255	Stellt den maximalen Wert der roten LED ein
			GREEN		Stellt den maximalen Wert der grünen LED ein
	BLUE		Stellt den maximalen Wert der blauen LED ein		
	Reset Function	Pan/Tilt	NO	Setzt einzelne oder alle Funktionen ab Start zurück	
			YES		
		Zoom	NO		
			YES		
		All	NO		
YES					
Factory Set			Setzt auf die standardmäßigen Werkseinstellungen zurück		
Sys Info	Fixture Information	Ver	V_	Zeigt die Firmware-Version an	
		Running Mode	---	Zeigt den aktuellen Betriebsmodus an	
		DMX Address	---	Zeigt die aktuelle DMX-Startadresse an	
		Temperature	---	Zeigt die aktuelle Temperatur in °C an	
		Fixture Time	-----	Zeigt an, wie lange das Gerät eingeschaltet gewesen ist	
		UID:	-----	Zeigt die Produkt-UID an	

Rogue R2X Wash Zonen für die DMX-Steuerung



DMX Werte

56CH

Kanal	Funktion	Wert	Prozent/Einstellung
1	Schwenkung	000 ⇔ 255	0–100%
2	Feinschwenkung	000 ⇔ 255	Feinkontrolle (16-Bit)
3	Neigung	000 ⇔ 255	0–100%
4	Feinneigung	000 ⇔ 255	Feinkontrolle (16-Bit)
5	S/N Geschwindigkeit	000 ⇔ 255	Schwenkung/Neigung Geschwindigkeit, schnell bis langsam
6	Dimmer	000 ⇔ 255	0–100%
7	Feine Dimmer	000 ⇔ 255	Feinkontrolle (16-Bit)

Kanal	Funktion	Wert	Prozent/Einstellung
8	Stroboskop	000 ⇔ 019	Aus
		020 ⇔ 024	Ein
		025 ⇔ 064	Stroboskop, schnell bis langsam
		065 ⇔ 069	Ein
		070 ⇔ 084	Schnell einschalten, langsam ausschalten (schnell bis langsam)
		085 ⇔ 089	Ein
		090 ⇔ 104	Langsam einschalten, schnell ausschalten (schnell bis langsam)
		105 ⇔ 109	Ein
		110 ⇔ 124	Zufalls-Strobe, schnell bis langsam
		125 ⇔ 129	Ein
		130 ⇔ 144	Zufalls: schnell einschalten, langsam ausschalten (schnell bis langsam)
		145 ⇔ 149	Ein
		150 ⇔ 164	Zufalls: langsam einschalten, schnell ausschalten (schnell bis langsam)
		165 ⇔ 169	Ein
		170 ⇔ 184	Pulse-Strobe, schnell bis langsam
		184 ⇔ 189	Ein
		190 ⇔ 204	Zufalls Pulse-Strobe, schnell bis langsam
		205 ⇔ 209	Ein
		210 ⇔ 224	Langsam einschalten, langsam ausschalten (schnell bis langsam)
		225 ⇔ 229	Ein
230 ⇔ 244	Pulse-Strobe, schnell bis langsam		
245 ⇔ 255	Ein		
9	Rot 1	000 ⇔ 255	0–100%
10	Fein rot 1	000 ⇔ 255	Feinkontrolle (16-Bit)
11	Grün 1	000 ⇔ 255	0–100%
12	Fein grün 1	000 ⇔ 255	Feinkontrolle (16-Bit)
13	Blau 1	000 ⇔ 255	0–100%
14	Fein blau 1	000 ⇔ 255	Feinkontrolle (16-Bit)
15	Weiß 1	000 ⇔ 255	0–100%
16	Fein weiß 1	000 ⇔ 255	Feinkontrolle (16-Bit)
17	Rot 2	000 ⇔ 255	0–100%
18	Fein rot 2	000 ⇔ 255	Feinkontrolle (16-Bit)
19	Grün 2	000 ⇔ 255	0–100%
20	Fein grün 2	000 ⇔ 255	Feinkontrolle (16-Bit)
21	Blau 2	000 ⇔ 255	0–100%
22	Fein blau 2	000 ⇔ 255	Feinkontrolle (16-Bit)
23	Weiß 2	000 ⇔ 255	0–100%
24	Fein weiß 2	000 ⇔ 255	Feinkontrolle (16-Bit)
25	Rot 3	000 ⇔ 255	0–100%
26	Fein rot 3	000 ⇔ 255	Feinkontrolle (16-Bit)
27	Grün 3	000 ⇔ 255	0–100%
28	Fein grün 3	000 ⇔ 255	Feinkontrolle (16-Bit)
29	Blau 3	000 ⇔ 255	0–100%
30	Fein blau 3	000 ⇔ 255	Feinkontrolle (16-Bit)
31	Weiß 3	000 ⇔ 255	0–100%
32	Fein weiß 3	000 ⇔ 255	Feinkontrolle (16-Bit)
33	Rot 4	000 ⇔ 255	0–100%
34	Fein rot 4	000 ⇔ 255	Feinkontrolle (16-Bit)
35	Grün 4	000 ⇔ 255	0–100%
36	Fein grün 4	000 ⇔ 255	Feinkontrolle (16-Bit)
37	Blau 4	000 ⇔ 255	0–100%
38	Fein blau 4	000 ⇔ 255	Feinkontrolle (16-Bit)
39	Weiß 4	000 ⇔ 255	0–100%
40	Fein weiß 4	000 ⇔ 255	Feinkontrolle (16-Bit)
41	Rot 5	000 ⇔ 255	0–100%

Kanal	Funktion	Wert	Prozent/Einstellung
42	Fein rot 5	000 ⇔ 255	Feinkontrolle (16-Bit)
43	Grün 5	000 ⇔ 255	0–100%
44	Fein grün 5	000 ⇔ 255	Feinkontrolle (16-Bit)
45	Blau 5	000 ⇔ 255	0–100%
46	Fein blau 5	000 ⇔ 255	Feinkontrolle (16-Bit)
47	Weiß 5	000 ⇔ 255	0–100%
48	Fein weiß 5	000 ⇔ 255	Feinkontrolle (16-Bit)
49	Farb	000 ⇔ 004	Keine Funktion
		005 ⇔ 009	Farb 1
		010 ⇔ 014	Farb 2
		015 ⇔ 019	Farb 3
		020 ⇔ 024	Farb 4
		025 ⇔ 029	Farb 5
		030 ⇔ 034	Farb 6
		035 ⇔ 039	Farb 7
		040 ⇔ 044	Farb 8
		045 ⇔ 049	Farb 9
		050 ⇔ 054	Farb 10
		055 ⇔ 059	Farb 11
		060 ⇔ 064	Farb 12
		065 ⇔ 069	Farb 13
		070 ⇔ 074	Farb 14
		075 ⇔ 079	Farb 15
		080 ⇔ 084	Farb 16
		085 ⇔ 089	Farb 17
		090 ⇔ 094	Farb 18
		095 ⇔ 099	Farb 19
		100 ⇔ 104	Farb 20
		105 ⇔ 109	Farb 21
		110 ⇔ 114	Farb 22
		115 ⇔ 119	Farb 23
		120 ⇔ 124	Farb 24
		125 ⇔ 129	Farb 25
		130 ⇔ 134	Farb 26
		135 ⇔ 139	Farb 27
		140 ⇔ 144	Farb 28
		145 ⇔ 149	Farb 29
		150 ⇔ 154	Farb 30
155 ⇔ 159	Farb 31		
160 ⇔ 164	Farb 32		
165 ⇔ 169	Farb 33		
170 ⇔ 174	Farb 34		
175 ⇔ 179	Keine Funktion		
180 ⇔ 201	Regenbogenfarben kreiseln, schnell bis langsam		
202 ⇔ 207	Halten		
208 ⇔ 229	Regenbogenfarben kreiseln umgekehrt, schnell bis langsam		
230 ⇔ 234	Keine Funktion		
235 ⇔ 249	Augenblicklich Farbänderung, schnell bis langsam		
250 ⇔ 255	Keine Funktion		

SCHNELLANLEITUNG



DE

Kanal	Funktion	Wert	Prozent/Einstellung
50	Zonenauswahl	000 ⇔ 007	Zone 1, 2, 3, 4, 5
		008 ⇔ 015	Zone 2, 3, 4, 5
		016 ⇔ 023	Zone 3, 4, 5
		024 ⇔ 031	Zone 4, 5
		032 ⇔ 039	Zone 5
		040 ⇔ 047	Keine Funktion
		048 ⇔ 055	Zone 1
		056 ⇔ 063	Zone 1, 2
		064 ⇔ 071	Zone 1, 2, 3
		072 ⇔ 079	Zone 1, 2, 3, 4
		080 ⇔ 087	Zone 1, 2, 3, 4, 5
		088 ⇔ 095	Zone 1
		096 ⇔ 103	Zone 2
		104 ⇔ 111	Zone 3
		112 ⇔ 119	Zone 4
		120 ⇔ 127	Zone 5
		128 ⇔ 135	Zone 1, 2
		136 ⇔ 143	Zone 2, 3
		144 ⇔ 151	Zone 3, 4
		152 ⇔ 159	Zone 4, 5
		160 ⇔ 167	Zone 1, 5
		168 ⇔ 175	Zone 1, 2, 3
		176 ⇔ 183	Zone 2, 3, 4
		184 ⇔ 191	Zone 3, 4, 5
		192 ⇔ 199	Zone 1, 4, 5
		200 ⇔ 207	Zone 1, 2, 5
		208 ⇔ 215	Zone 1, 2, 3, 4
		216 ⇔ 223	Zone 2, 3, 4, 5
		224 ⇔ 231	Zone 1, 3, 4, 5
		232 ⇔ 239	Zone 1, 2, 4, 5
		240 ⇔ 247	Zone 1, 2, 3, 5
		248 ⇔ 255	Zone 1, 2, 3, 4, 5

Kanal	Funktion	Wert	Prozent/Einstellung
51	Programme	000 ⇔ 015	Keine Funktion
		016 ⇔ 020	Kreismakro 1
		021 ⇔ 025	Kreismakro 2
		026 ⇔ 030	Kreismakro 3
		031 ⇔ 035	Kreismakro 4
		036 ⇔ 040	Kreismakro 5
		041 ⇔ 045	Kreismakro 6
		046 ⇔ 050	Kreismakro 7
		051 ⇔ 055	Kreismakro 8
		056 ⇔ 060	Kreismakro 9
		061 ⇔ 065	Kreismakro 10
		066 ⇔ 070	Kreismakro 11
		071 ⇔ 075	Kreismakro 12
		076 ⇔ 080	Kreismakro 13
		081 ⇔ 085	Kreismakro 14
		086 ⇔ 090	Kreismakro 15
		091 ⇔ 095	Kreismakro 16
		096 ⇔ 100	Kreismakro 17
		101 ⇔ 105	Kreismakro 18
		106 ⇔ 110	Kreismakro 19
		111 ⇔ 115	Kreismakro 20
		116 ⇔ 120	Kreismakro 21
		121 ⇔ 125	Kreismakro 22
		126 ⇔ 130	Kreismakro 23
		131 ⇔ 135	Kreismakro 24
		136 ⇔ 140	Farbkreis Makro 1
		141 ⇔ 145	Farbkreis Makro 2
		146 ⇔ 150	Farbkreis Makro 3
		151 ⇔ 155	Farbkreis Makro 4
		156 ⇔ 160	Farbkreis Makro 5
		161 ⇔ 165	Farbkreis Makro 6
166 ⇔ 170	Farbkreis Makro 7		
171 ⇔ 175	Farbkreis Makro 8		
176 ⇔ 180	Farbkreis Makro 9		
181 ⇔ 185	Farbkreis Makro 10		
186 ⇔ 190	Farbkreis Makro 11		
191 ⇔ 195	Farbkreis Makro 12		
196 ⇔ 200	Farbkreis Makro 13		
201 ⇔ 205	Farbkreis Makro 14		
206 ⇔ 210	Farbkreis Makro 15		
211 ⇔ 215	Farbkreis Makro 16		
216 ⇔ 220	Farbkreis Makro 17		
221 ⇔ 225	Farbkreis Makro 18		
226 ⇔ 230	Farbkreis Makro 19		
231 ⇔ 235	Farbkreis Makro 20		
236 ⇔ 240	Farbkreis Makro 21		
241 ⇔ 245	Farbkreis Makro 22		
246 ⇔ 250	Farbkreis Makro 23		
251 ⇔ 255	Farbkreis Makro 24		
52	Automatische Geschwindigkeit	000 ⇔ 255	0–100%

Kanal	Funktion	Wert	Prozent/Einstellung
53	Bewegungsmakros	000 ⇔ 007	Keine Funktion
		008 ⇔ 023	Bewegungsmakro 1
		024 ⇔ 039	Bewegungsmakro 2
		040 ⇔ 055	Bewegungsmakro 3
		056 ⇔ 071	Bewegungsmakro 4
		072 ⇔ 087	Bewegungsmakro 5
		088 ⇔ 103	Bewegungsmakro 6
		104 ⇔ 119	Bewegungsmakro 7
		120 ⇔ 135	Bewegungsmakro 8
		136 ⇔ 151	Bewegungsmakro 9
		152 ⇔ 167	Bewegungsmakro 10
		168 ⇔ 183	Bewegungsmakro 11
		184 ⇔ 199	Bewegungsmakro 12
		200 ⇔ 215	Bewegungsmakro 13
		216 ⇔ 231	Bewegungsmakro 14
		232 ⇔ 247	Bewegungsmakro 15
248 ⇔ 255	Bewegungsmakro 16		
54	Makrogeschwindigkeit	000 ⇔ 255	Bewegungsmakrogeschwindigkeit, schnell bis langsam
55	Zoom	000 ⇔ 255	0–100%
56	Steuerung (5 Sekunden Aktivierungsverzögerung)	000 ⇔ 009	Keine Funktion
		010 ⇔ 014	Während Schwenkung/Neigung verdunkeln
		015 ⇔ 049	Keine Funktion
		050 ⇔ 054	Schwenkung zurücksetzen
		055 ⇔ 059	Neigung zurücksetzen
		060 ⇔ 064	Zoom zurücksetzen
		065 ⇔ 069	Keine Funktion
		070 ⇔ 074	Reset all
		075 ⇔ 079	Keine Funktion
		080 ⇔ 084	Umgekehrte Schwenkung und Neigung
		085 ⇔ 089	Umgekehrte Schwenkung
		090 ⇔ 094	Umgekehrte Neigung
		095 ⇔ 099	Schwenk Normal
		100 ⇔ 104	Neigung Normal
		105 ⇔ 109	Schwenk und Neigung Normal
		110 ⇔ 119	Keine Funktion
		120 ⇔ 124	Lüfter im ECO-Modus
		125 ⇔ 129	Lüfter bei voller Geschwindigkeit
		130 ⇔ 134	Automatische Geschwindigkeit des Lüfters
		135 ⇔ 139	Schneller Dimmungskurve
140 ⇔ 144	Glatter Dimmungskurve		
145 ⇔ 255	Keine Funktion		

54CH

Kanal	Funktion	Wert	Prozent/Einstellung
1	Schwenkung	000 ⇔ 255	0–100%
2	Feinschwenkung	000 ⇔ 255	Feinkontrolle (16-Bit)
3	Neigung	000 ⇔ 255	0–100%
4	Feinneigung	000 ⇔ 255	Feinkontrolle (16-Bit)
5	S/N Geschwindigkeit	000 ⇔ 255	Schwenkung/Neigung Geschwindigkeit, schnell bis langsam
6	Dimmer	000 ⇔ 255	0–100%
7	Feine Dimmer	000 ⇔ 255	Feinkontrolle (16-Bit)

Kanal	Funktion	Wert	Prozent/Einstellung
8	Stroboskop	000 ⇔ 019	Aus
		020 ⇔ 024	Ein
		025 ⇔ 064	Stroboskop, schnell bis langsam
		065 ⇔ 069	Ein
		070 ⇔ 084	Schnell einschalten, langsam ausschalten (schnell bis langsam)
		085 ⇔ 089	Ein
		090 ⇔ 104	Langsam einschalten, schnell ausschalten (schnell bis langsam)
		105 ⇔ 109	Ein
		110 ⇔ 124	Zufalls-Strobe, schnell bis langsam
		125 ⇔ 129	Ein
		130 ⇔ 144	Zufalls: schnell einschalten, langsam ausschalten (schnell bis langsam)
		145 ⇔ 149	Ein
		150 ⇔ 164	Zufalls: langsam einschalten, schnell ausschalten (schnell bis langsam)
		165 ⇔ 169	Ein
		170 ⇔ 184	Pulse-Strobe, schnell bis langsam
		184 ⇔ 189	Ein
		190 ⇔ 204	Zufalls Pulse-Strobe, schnell bis langsam
205 ⇔ 209	Ein		
210 ⇔ 224	Langsam einschalten, langsam ausschalten (schnell bis langsam)		
225 ⇔ 229	Ein		
230 ⇔ 244	Pulse-Strobe, schnell bis langsam		
245 ⇔ 255	Ein		
9	Rot 1	000 ⇔ 255	0–100%
10	Fein rot 1	000 ⇔ 255	Feinkontrolle (16-Bit)
11	Grün 1	000 ⇔ 255	0–100%
12	Fein grün 1	000 ⇔ 255	Feinkontrolle (16-Bit)
13	Blau 1	000 ⇔ 255	0–100%
14	Fein blau 1	000 ⇔ 255	Feinkontrolle (16-Bit)
15	Weiß 1	000 ⇔ 255	0–100%
16	Fein weiß 1	000 ⇔ 255	Feinkontrolle (16-Bit)
17	Rot 2	000 ⇔ 255	0–100%
18	Fein rot 2	000 ⇔ 255	Feinkontrolle (16-Bit)
19	Grün 2	000 ⇔ 255	0–100%
20	Fein grün 2	000 ⇔ 255	Feinkontrolle (16-Bit)
21	Blau 2	000 ⇔ 255	0–100%
22	Fein blau 2	000 ⇔ 255	Feinkontrolle (16-Bit)
23	Weiß 2	000 ⇔ 255	0–100%
24	Fein weiß 2	000 ⇔ 255	Feinkontrolle (16-Bit)
25	Rot 3	000 ⇔ 255	0–100%
26	Fein rot 3	000 ⇔ 255	Feinkontrolle (16-Bit)
27	Grün 3	000 ⇔ 255	0–100%
28	Fein grün 3	000 ⇔ 255	Feinkontrolle (16-Bit)
29	Blau 3	000 ⇔ 255	0–100%
30	Fein blau 3	000 ⇔ 255	Feinkontrolle (16-Bit)
31	Weiß 3	000 ⇔ 255	0–100%
32	Fein weiß 3	000 ⇔ 255	Feinkontrolle (16-Bit)
33	Rot 4	000 ⇔ 255	0–100%
34	Fein rot 4	000 ⇔ 255	Feinkontrolle (16-Bit)
35	Grün 4	000 ⇔ 255	0–100%
36	Fein grün 4	000 ⇔ 255	Feinkontrolle (16-Bit)
37	Blau 4	000 ⇔ 255	0–100%
38	Fein blau 4	000 ⇔ 255	Feinkontrolle (16-Bit)
39	Weiß 4	000 ⇔ 255	0–100%
40	Fein weiß 4	000 ⇔ 255	Feinkontrolle (16-Bit)
41	Rot 5	000 ⇔ 255	0–100%

SCHNELLANLEITUNG



DE

Kanal	Funktion	Wert	Prozent/Einstellung
42	Fein rot 5	000 ⇔ 255	Feinkontrolle (16-Bit)
43	Grün 5	000 ⇔ 255	0–100%
44	Fein grün 5	000 ⇔ 255	Feinkontrolle (16-Bit)
45	Blau 5	000 ⇔ 255	0–100%
46	Fein blau 5	000 ⇔ 255	Feinkontrolle (16-Bit)
47	Weiß 5	000 ⇔ 255	0–100%
48	Fein weiß 5	000 ⇔ 255	Feinkontrolle (16-Bit)
49	Farb	000 ⇔ 004	Keine Funktion
		005 ⇔ 009	Farb 1
		010 ⇔ 014	Farb 2
		015 ⇔ 019	Farb 3
		020 ⇔ 024	Farb 4
		025 ⇔ 029	Farb 5
		030 ⇔ 034	Farb 6
		035 ⇔ 039	Farb 7
		040 ⇔ 044	Farb 8
		045 ⇔ 049	Farb 9
		050 ⇔ 054	Farb 10
		055 ⇔ 059	Farb 11
		060 ⇔ 064	Farb 12
		065 ⇔ 069	Farb 13
		070 ⇔ 074	Farb 14
		075 ⇔ 079	Farb 15
		080 ⇔ 084	Farb 16
		085 ⇔ 089	Farb 17
		090 ⇔ 094	Farb 18
		095 ⇔ 099	Farb 19
		100 ⇔ 104	Farb 20
		105 ⇔ 109	Farb 21
		110 ⇔ 114	Farb 22
		115 ⇔ 119	Farb 23
		120 ⇔ 124	Farb 24
		125 ⇔ 129	Farb 25
		130 ⇔ 134	Farb 26
		135 ⇔ 139	Farb 27
		140 ⇔ 144	Farb 28
		145 ⇔ 149	Farb 29
		150 ⇔ 154	Farb 30
		155 ⇔ 159	Farb 31
		160 ⇔ 164	Farb 32
		165 ⇔ 169	Farb 33
170 ⇔ 174	Farb 34		
175 ⇔ 179	Keine Funktion		
180 ⇔ 201	Regenbogenfarben kreiseln, schnell bis langsam		
202 ⇔ 207	Halten		
208 ⇔ 229	Regenbogenfarben kreiseln umgekehrt, schnell bis langsam		
230 ⇔ 234	Keine Funktion		
235 ⇔ 249	Augenblicklich Farbänderung, schnell bis langsam		
250 ⇔ 255	Keine Funktion		

Kanal	Funktion	Wert	Prozent/Einstellung
50	Zonenauswahl	000 ⇔ 007	Zone 1, 2, 3, 4, 5
		008 ⇔ 015	Zone 2, 3, 4, 5
		016 ⇔ 023	Zone 3, 4, 5
		024 ⇔ 031	Zone 4, 5
		032 ⇔ 039	Zone 5
		040 ⇔ 047	Keine Funktion
		048 ⇔ 055	Zone 1
		056 ⇔ 063	Zone 1, 2
		064 ⇔ 071	Zone 1, 2, 3
		072 ⇔ 079	Zone 1, 2, 3, 4
		080 ⇔ 087	Zone 1, 2, 3, 4, 5
		088 ⇔ 095	Zone 1
		096 ⇔ 103	Zone 2
		104 ⇔ 111	Zone 3
		112 ⇔ 119	Zone 4
		120 ⇔ 127	Zone 5
		128 ⇔ 135	Zone 1, 2
		136 ⇔ 143	Zone 2, 3
		144 ⇔ 151	Zone 3, 4
		152 ⇔ 159	Zone 4, 5
		160 ⇔ 167	Zone 1, 5
		168 ⇔ 175	Zone 1, 2, 3
		176 ⇔ 183	Zone 2, 3, 4
		184 ⇔ 191	Zone 3, 4, 5
		192 ⇔ 199	Zone 1, 4, 5
		200 ⇔ 207	Zone 1, 2, 5
		208 ⇔ 215	Zone 1, 2, 3, 4
		216 ⇔ 223	Zone 2, 3, 4, 5
		224 ⇔ 231	Zone 1, 3, 4, 5
		232 ⇔ 239	Zone 1, 2, 4, 5
240 ⇔ 247	Zone 1, 2, 3, 5		
248 ⇔ 255	Zone 1, 2, 3, 4, 5		

SCHNELLANLEITUNG



DE

Kanal	Funktion	Wert	Prozent/Einstellung
51	Programme	000 ⇔ 015	Keine Funktion
		016 ⇔ 020	Kreismakro 1
		021 ⇔ 025	Kreismakro 2
		026 ⇔ 030	Kreismakro 3
		031 ⇔ 035	Kreismakro 4
		036 ⇔ 040	Kreismakro 5
		041 ⇔ 045	Kreismakro 6
		046 ⇔ 050	Kreismakro 7
		051 ⇔ 055	Kreismakro 8
		056 ⇔ 060	Kreismakro 9
		061 ⇔ 065	Kreismakro 10
		066 ⇔ 070	Kreismakro 11
		071 ⇔ 075	Kreismakro 12
		076 ⇔ 080	Kreismakro 13
		081 ⇔ 085	Kreismakro 14
		086 ⇔ 090	Kreismakro 15
		091 ⇔ 095	Kreismakro 16
		096 ⇔ 100	Kreismakro 17
		101 ⇔ 105	Kreismakro 18
		106 ⇔ 110	Kreismakro 19
		111 ⇔ 115	Kreismakro 20
		116 ⇔ 120	Kreismakro 21
		121 ⇔ 125	Kreismakro 22
		126 ⇔ 130	Kreismakro 23
		131 ⇔ 135	Kreismakro 24
		136 ⇔ 140	Farbkreis Makro 1
		141 ⇔ 145	Farbkreis Makro 2
		146 ⇔ 150	Farbkreis Makro 3
		151 ⇔ 155	Farbkreis Makro 4
		156 ⇔ 160	Farbkreis Makro 5
		161 ⇔ 165	Farbkreis Makro 6
		166 ⇔ 170	Farbkreis Makro 7
		171 ⇔ 175	Farbkreis Makro 8
		176 ⇔ 180	Farbkreis Makro 9
		181 ⇔ 185	Farbkreis Makro 10
		186 ⇔ 190	Farbkreis Makro 11
		191 ⇔ 195	Farbkreis Makro 12
		196 ⇔ 200	Farbkreis Makro 13
		201 ⇔ 205	Farbkreis Makro 14
		206 ⇔ 210	Farbkreis Makro 15
211 ⇔ 215	Farbkreis Makro 16		
216 ⇔ 220	Farbkreis Makro 17		
221 ⇔ 225	Farbkreis Makro 18		
226 ⇔ 230	Farbkreis Makro 19		
231 ⇔ 235	Farbkreis Makro 20		
236 ⇔ 240	Farbkreis Makro 21		
241 ⇔ 245	Farbkreis Makro 22		
246 ⇔ 250	Farbkreis Makro 23		
251 ⇔ 255	Farbkreis Makro 24		
52	Automatische Geschwindigkeit	000 ⇔ 255	0–100%
53	Zoom	000 ⇔ 255	0–100%

Kanal	Funktion	Wert	Prozent/Einstellung
54	Steuerung (5 Sekunden Aktivierungsverzögerung)	000 ⇔ 009	Keine Funktion
		010 ⇔ 014	Während Schwenkung/Neigung verdunkeln
		015 ⇔ 049	Keine Funktion
		050 ⇔ 054	Schwenkung zurücksetzen
		055 ⇔ 059	Neigung zurücksetzen
		060 ⇔ 064	Zoom zurücksetzen
		065 ⇔ 069	Keine Funktion
		070 ⇔ 074	Reset all
		075 ⇔ 079	Keine Funktion
		080 ⇔ 084	Umgekehrte Schwenkung und Neigung
		085 ⇔ 089	Umgekehrte Schwenkung
		090 ⇔ 094	Umgekehrte Neigung
		095 ⇔ 099	Schwenk Normal
		100 ⇔ 104	Neigung Normal
		105 ⇔ 109	Schwenk und Neigung Normal
		110 ⇔ 119	Keine Funktion
		120 ⇔ 124	Lüfter im ECO-Modus
		125 ⇔ 129	Lüfter bei voller Geschwindigkeit
		130 ⇔ 134	Automatische Geschwindigkeit des Lüfters
		135 ⇔ 139	Schneller Dimmungskurve
140 ⇔ 144	Glatter Dimmungskurve		
145 ⇔ 255	Keine Funktion		

54CH MS

Kanal	Funktion	Wert	Prozent/Einstellung
1	Schwenkung	000 ⇔ 255	0–100%
2	Feinschwenkung	000 ⇔ 255	Feinkontrolle (16-Bit)
3	Neigung	000 ⇔ 255	0–100%
4	Feinneigung	000 ⇔ 255	Feinkontrolle (16-Bit)
5	S/N Geschwindigkeit	000 ⇔ 255	Schwenkung/Neigung Geschwindigkeit, schnell bis langsam
6	Dimmer	000 ⇔ 255	0–100%
7	Feine Dimmer	000 ⇔ 255	Feinkontrolle (16-Bit)
8	Stroboskop	000 ⇔ 019	Aus
		020 ⇔ 024	Ein
		025 ⇔ 064	Stroboskop, schnell bis langsam
		065 ⇔ 069	Ein
		070 ⇔ 084	Schnell einschalten, langsam ausschalten (schnell bis langsam)
		085 ⇔ 089	Ein
		090 ⇔ 104	Langsam einschalten, schnell ausschalten (schnell bis langsam)
		105 ⇔ 109	Ein
		110 ⇔ 124	Zufalls-Strobe, schnell bis langsam
		125 ⇔ 129	Ein
		130 ⇔ 144	Zufalls: schnell einschalten, langsam ausschalten (schnell bis langsam)
		145 ⇔ 149	Ein
		150 ⇔ 164	Zufalls: langsam einschalten, schnell ausschalten (schnell bis langsam)
		165 ⇔ 169	Ein
		170 ⇔ 184	Pulse-Strobe, schnell bis langsam
		184 ⇔ 189	Ein
		190 ⇔ 204	Zufalls Pulse-Strobe, schnell bis langsam
		205 ⇔ 209	Ein
		210 ⇔ 224	Langsam einschalten, langsam ausschalten (schnell bis langsam)
		225 ⇔ 229	Ein
230 ⇔ 244	Pulse-Strobe, schnell bis langsam		
245 ⇔ 255	Ein		

SCHNELLANLEITUNG



DE

Kanal	Funktion	Wert	Prozent/Einstellung
9	Farb	000 ⇔ 004	Keine Funktion
		005 ⇔ 009	Farb 1
		010 ⇔ 014	Farb 2
		015 ⇔ 019	Farb 3
		020 ⇔ 024	Farb 4
		025 ⇔ 029	Farb 5
		030 ⇔ 034	Farb 6
		035 ⇔ 039	Farb 7
		040 ⇔ 044	Farb 8
		045 ⇔ 049	Farb 9
		050 ⇔ 054	Farb 10
		055 ⇔ 059	Farb 11
		060 ⇔ 064	Farb 12
		065 ⇔ 069	Farb 13
		070 ⇔ 074	Farb 14
		075 ⇔ 079	Farb 15
		080 ⇔ 084	Farb 16
		085 ⇔ 089	Farb 17
		090 ⇔ 094	Farb 18
		095 ⇔ 099	Farb 19
		100 ⇔ 104	Farb 20
		105 ⇔ 109	Farb 21
		110 ⇔ 114	Farb 22
		115 ⇔ 119	Farb 23
		120 ⇔ 124	Farb 24
		125 ⇔ 129	Farb 25
		130 ⇔ 134	Farb 26
		135 ⇔ 139	Farb 27
		140 ⇔ 144	Farb 28
		145 ⇔ 149	Farb 29
		150 ⇔ 154	Farb 30
		155 ⇔ 159	Farb 31
		160 ⇔ 164	Farb 32
		165 ⇔ 169	Farb 33
170 ⇔ 174	Farb 34		
175 ⇔ 179	Keine Funktion		
180 ⇔ 201	Regenbogenfarben kreiseln, schnell bis langsam		
202 ⇔ 207	Halten		
208 ⇔ 229	Regenbogenfarben kreiseln umgekehrt, schnell bis langsam		
230 ⇔ 234	Keine Funktion		
235 ⇔ 249	Augenblicklich Farbänderung, schnell bis langsam		
250 ⇔ 255	Keine Funktion		

Kanal	Funktion	Wert	Prozent/Einstellung
10	Zonenauswahl	000 ⇔ 007	Zone 1, 2, 3, 4, 5
		008 ⇔ 015	Zone 2, 3, 4, 5
		016 ⇔ 023	Zone 3, 4, 5
		024 ⇔ 031	Zone 4, 5
		032 ⇔ 039	Zone 5
		040 ⇔ 047	Keine Funktion
		048 ⇔ 055	Zone 1
		056 ⇔ 063	Zone 1, 2
		064 ⇔ 071	Zone 1, 2, 3
		072 ⇔ 079	Zone 1, 2, 3, 4
		080 ⇔ 087	Zone 1, 2, 3, 4, 5
		088 ⇔ 095	Zone 1
		096 ⇔ 103	Zone 2
		104 ⇔ 111	Zone 3
		112 ⇔ 119	Zone 4
		120 ⇔ 127	Zone 5
		128 ⇔ 135	Zone 1, 2
		136 ⇔ 143	Zone 2, 3
		144 ⇔ 151	Zone 3, 4
		152 ⇔ 159	Zone 4, 5
		160 ⇔ 167	Zone 1, 5
		168 ⇔ 175	Zone 1, 2, 3
		176 ⇔ 183	Zone 2, 3, 4
		184 ⇔ 191	Zone 3, 4, 5
		192 ⇔ 199	Zone 1, 4, 5
		200 ⇔ 207	Zone 1, 2, 5
		208 ⇔ 215	Zone 1, 2, 3, 4
		216 ⇔ 223	Zone 2, 3, 4, 5
		224 ⇔ 231	Zone 1, 3, 4, 5
		232 ⇔ 239	Zone 1, 2, 4, 5
240 ⇔ 247	Zone 1, 2, 3, 5		
248 ⇔ 255	Zone 1, 2, 3, 4, 5		

SCHNELLANLEITUNG



DE

Kanal	Funktion	Wert	Prozent/Einstellung
11	Programme	000 ⇔ 015	Keine Funktion
		016 ⇔ 020	Kreismakro 1
		021 ⇔ 025	Kreismakro 2
		026 ⇔ 030	Kreismakro 3
		031 ⇔ 035	Kreismakro 4
		036 ⇔ 040	Kreismakro 5
		041 ⇔ 045	Kreismakro 6
		046 ⇔ 050	Kreismakro 7
		051 ⇔ 055	Kreismakro 8
		056 ⇔ 060	Kreismakro 9
		061 ⇔ 065	Kreismakro 10
		066 ⇔ 070	Kreismakro 11
		071 ⇔ 075	Kreismakro 12
		076 ⇔ 080	Kreismakro 13
		081 ⇔ 085	Kreismakro 14
		086 ⇔ 090	Kreismakro 15
		091 ⇔ 095	Kreismakro 16
		096 ⇔ 100	Kreismakro 17
		101 ⇔ 105	Kreismakro 18
		106 ⇔ 110	Kreismakro 19
		111 ⇔ 115	Kreismakro 20
		116 ⇔ 120	Kreismakro 21
		121 ⇔ 125	Kreismakro 22
		126 ⇔ 130	Kreismakro 23
		131 ⇔ 135	Kreismakro 24
		136 ⇔ 140	Farbkreis Makro 1
		141 ⇔ 145	Farbkreis Makro 2
		146 ⇔ 150	Farbkreis Makro 3
		151 ⇔ 155	Farbkreis Makro 4
		156 ⇔ 160	Farbkreis Makro 5
		161 ⇔ 165	Farbkreis Makro 6
		166 ⇔ 170	Farbkreis Makro 7
		171 ⇔ 175	Farbkreis Makro 8
		176 ⇔ 180	Farbkreis Makro 9
		181 ⇔ 185	Farbkreis Makro 10
		186 ⇔ 190	Farbkreis Makro 11
		191 ⇔ 195	Farbkreis Makro 12
		196 ⇔ 200	Farbkreis Makro 13
		201 ⇔ 205	Farbkreis Makro 14
		206 ⇔ 210	Farbkreis Makro 15
211 ⇔ 215	Farbkreis Makro 16		
216 ⇔ 220	Farbkreis Makro 17		
221 ⇔ 225	Farbkreis Makro 18		
226 ⇔ 230	Farbkreis Makro 19		
231 ⇔ 235	Farbkreis Makro 20		
236 ⇔ 240	Farbkreis Makro 21		
241 ⇔ 245	Farbkreis Makro 22		
246 ⇔ 250	Farbkreis Makro 23		
251 ⇔ 255	Farbkreis Makro 24		
12	Automatische Geschwindigkeit	000 ⇔ 255	0–100%
13	Zoom	000 ⇔ 255	0–100%

Kanal	Funktion	Wert	Prozent/Einstellung
14	Steuerung (5 Sekunden Aktivierungsverzögerung)	000 ⇔ 009	Keine Funktion
		010 ⇔ 014	Während Schwenkung/Neigung verdunkeln
		015 ⇔ 049	Keine Funktion
		050 ⇔ 054	Schwenkung zurücksetzen
		055 ⇔ 059	Neigung zurücksetzen
		060 ⇔ 064	Zoom zurücksetzen
		065 ⇔ 069	Keine Funktion
		070 ⇔ 074	Reset all
		075 ⇔ 079	Keine Funktion
		080 ⇔ 084	Umgekehrte Schwenkung und Neigung
		085 ⇔ 089	Umgekehrte Schwenkung
		090 ⇔ 094	Umgekehrte Neigung
		095 ⇔ 099	Schwenk Normal
		100 ⇔ 104	Neigung Normal
		105 ⇔ 109	Schwenk und Neigung Normal
		110 ⇔ 119	Keine Funktion
120 ⇔ 124	Lüfter im ECO-Modus		
125 ⇔ 129	Lüfter bei voller Geschwindigkeit		
130 ⇔ 134	Automatische Geschwindigkeit des Lüfters		
135 ⇔ 139	Schneller Dimmungskurve		
140 ⇔ 144	Glatter Dimmungskurve		
145 ⇔ 255	Keine Funktion		
15	Rot 1	000 ⇔ 255	0–100%
16	Fein rot 1	000 ⇔ 255	Feinkontrolle (16-Bit)
17	Grün 1	000 ⇔ 255	0–100%
18	Fein grün 1	000 ⇔ 255	Feinkontrolle (16-Bit)
19	Blau 1	000 ⇔ 255	0–100%
20	Fein blau 1	000 ⇔ 255	Feinkontrolle (16-Bit)
21	Weiß 1	000 ⇔ 255	0–100%
22	Fein weiß 1	000 ⇔ 255	Feinkontrolle (16-Bit)
23	Rot 2	000 ⇔ 255	0–100%
24	Fein rot 2	000 ⇔ 255	Feinkontrolle (16-Bit)
25	Grün 2	000 ⇔ 255	0–100%
26	Fein grün 2	000 ⇔ 255	Feinkontrolle (16-Bit)
27	Blau 2	000 ⇔ 255	0–100%
28	Fein blau 2	000 ⇔ 255	Feinkontrolle (16-Bit)
29	Weiß 2	000 ⇔ 255	0–100%
30	Fein weiß 2	000 ⇔ 255	Feinkontrolle (16-Bit)
31	Rot 3	000 ⇔ 255	0–100%
32	Fein rot 3	000 ⇔ 255	Feinkontrolle (16-Bit)
33	Grün 3	000 ⇔ 255	0–100%
34	Fein grün 3	000 ⇔ 255	Feinkontrolle (16-Bit)
35	Blau 3	000 ⇔ 255	0–100%
36	Fein blau 3	000 ⇔ 255	Feinkontrolle (16-Bit)
37	Weiß 3	000 ⇔ 255	0–100%
38	Fein weiß 3	000 ⇔ 255	Feinkontrolle (16-Bit)
39	Rot 4	000 ⇔ 255	0–100%
40	Fein rot 4	000 ⇔ 255	Feinkontrolle (16-Bit)
41	Grün 4	000 ⇔ 255	0–100%
42	Fein grün 4	000 ⇔ 255	Feinkontrolle (16-Bit)
43	Blau 4	000 ⇔ 255	0–100%
44	Fein blau 4	000 ⇔ 255	Feinkontrolle (16-Bit)
45	Weiß 4	000 ⇔ 255	0–100%
46	Fein weiß 4	000 ⇔ 255	Feinkontrolle (16-Bit)
47	Rot 5	000 ⇔ 255	0–100%

Kanal	Funktion	Wert	Prozent/Einstellung
48	Fein rot 5	000 ⇔ 255	Feinkontrolle (16-Bit)
49	Grün 5	000 ⇔ 255	0–100%
50	Fein grün 5	000 ⇔ 255	Feinkontrolle (16-Bit)
51	Blau 5	000 ⇔ 255	0–100%
52	Fein blau 5	000 ⇔ 255	Feinkontrolle (16-Bit)
53	Weiß 5	000 ⇔ 255	0–100%
54	Fein weiß 5	000 ⇔ 255	Feinkontrolle (16-Bit)

33CH

Kanal	Funktion	Wert	Prozent/Einstellung
1	Schwenkung	000 ⇔ 255	0–100%
2	Feinschwenkung	000 ⇔ 255	Feinkontrolle (16-Bit)
3	Neigung	000 ⇔ 255	0–100%
4	Feinneigung	000 ⇔ 255	Feinkontrolle (16-Bit)
5	S/N Geschwindigkeit	000 ⇔ 255	Schwenkung/Neigung Geschwindigkeit, schnell bis langsam
6	Dimmer	000 ⇔ 255	0–100%
7	Stroboskop	000 ⇔ 019	Aus
		020 ⇔ 024	Ein
		025 ⇔ 064	Stroboskop, schnell bis langsam
		065 ⇔ 069	Ein
		070 ⇔ 084	Schnell einschalten, langsam ausschalten (schnell bis langsam)
		085 ⇔ 089	Ein
		090 ⇔ 104	Langsam einschalten, schnell ausschalten (schnell bis langsam)
		105 ⇔ 109	Ein
		110 ⇔ 124	Zufalls-Strobe, schnell bis langsam
		125 ⇔ 129	Ein
		130 ⇔ 144	Zufalls: schnell einschalten, langsam ausschalten (schnell bis langsam)
		145 ⇔ 149	Ein
		150 ⇔ 164	Zufalls: langsam einschalten, schnell ausschalten (schnell bis langsam)
		165 ⇔ 169	Ein
		170 ⇔ 184	Pulse-Strobe, schnell bis langsam
		184 ⇔ 189	Ein
190 ⇔ 204	Zufalls Pulse-Strobe, schnell bis langsam		
205 ⇔ 209	Ein		
210 ⇔ 224	Langsam einschalten, langsam ausschalten (schnell bis langsam)		
225 ⇔ 229	Ein		
230 ⇔ 244	Pulse-Strobe, schnell bis langsam		
245 ⇔ 255	Ein		
8	Rot 1	000 ⇔ 255	0–100%
9	Grün 1	000 ⇔ 255	0–100%
10	Blau 1	000 ⇔ 255	0–100%
11	Weiß 1	000 ⇔ 255	0–100%
12	Rot 2	000 ⇔ 255	0–100%
13	Grün 2	000 ⇔ 255	0–100%
14	Blau 2	000 ⇔ 255	0–100%
15	Weiß 2	000 ⇔ 255	0–100%
16	Rot 3	000 ⇔ 255	0–100%
17	Grün 3	000 ⇔ 255	0–100%
18	Blau 3	000 ⇔ 255	0–100%
19	Weiß 3	000 ⇔ 255	0–100%
20	Rot 4	000 ⇔ 255	0–100%
21	Grün 4	000 ⇔ 255	0–100%
22	Blau 4	000 ⇔ 255	0–100%
23	Weiß 4	000 ⇔ 255	0–100%
24	Rot 5	000 ⇔ 255	0–100%

Kanal	Funktion	Wert	Prozent/Einstellung
25	Grün 5	000 ⇔ 255	0–100%
26	Blau 5	000 ⇔ 255	0–100%
27	Weiß 5	000 ⇔ 255	0–100%
28	Farb	000 ⇔ 004	Keine Funktion
		005 ⇔ 009	Farb 1
		010 ⇔ 014	Farb 2
		015 ⇔ 019	Farb 3
		020 ⇔ 024	Farb 4
		025 ⇔ 029	Farb 5
		030 ⇔ 034	Farb 6
		035 ⇔ 039	Farb 7
		040 ⇔ 044	Farb 8
		045 ⇔ 049	Farb 9
		050 ⇔ 054	Farb 10
		055 ⇔ 059	Farb 11
		060 ⇔ 064	Farb 12
		065 ⇔ 069	Farb 13
		070 ⇔ 074	Farb 14
		075 ⇔ 079	Farb 15
		080 ⇔ 084	Farb 16
		085 ⇔ 089	Farb 17
		090 ⇔ 094	Farb 18
		095 ⇔ 099	Farb 19
		100 ⇔ 104	Farb 20
		105 ⇔ 109	Farb 21
		110 ⇔ 114	Farb 22
		115 ⇔ 119	Farb 23
		120 ⇔ 124	Farb 24
		125 ⇔ 129	Farb 25
		130 ⇔ 134	Farb 26
		135 ⇔ 139	Farb 27
		140 ⇔ 144	Farb 28
		145 ⇔ 149	Farb 29
		150 ⇔ 154	Farb 30
		155 ⇔ 159	Farb 31
		160 ⇔ 164	Farb 32
		165 ⇔ 169	Farb 33
170 ⇔ 174	Farb 34		
175 ⇔ 179	Keine Funktion		
180 ⇔ 201	Regenbogenfarben kreiseln, schnell bis langsam		
202 ⇔ 207	Halten		
208 ⇔ 229	Regenbogenfarben kreiseln umgekehrt, schnell bis langsam		
230 ⇔ 234	Keine Funktion		
235 ⇔ 249	Augenblicklich Farbänderung, schnell bis langsam		
250 ⇔ 255	Keine Funktion		

Kanal	Funktion	Wert	Prozent/Einstellung
29	Zonenauswahl	000 ⇔ 007	Zone 1, 2, 3, 4, 5
		008 ⇔ 015	Zone 2, 3, 4, 5
		016 ⇔ 023	Zone 3, 4, 5
		024 ⇔ 031	Zone 4, 5
		032 ⇔ 039	Zone 5
		040 ⇔ 047	Keine Funktion
		048 ⇔ 055	Zone 1
		056 ⇔ 063	Zone 1, 2
		064 ⇔ 071	Zone 1, 2, 3
		072 ⇔ 079	Zone 1, 2, 3, 4
		080 ⇔ 087	Zone 1, 2, 3, 4, 5
		088 ⇔ 095	Zone 1
		096 ⇔ 103	Zone 2
		104 ⇔ 111	Zone 3
		112 ⇔ 119	Zone 4
		120 ⇔ 127	Zone 5
		128 ⇔ 135	Zone 1, 2
		136 ⇔ 143	Zone 2, 3
		144 ⇔ 151	Zone 3, 4
		152 ⇔ 159	Zone 4, 5
		160 ⇔ 167	Zone 1, 5
		168 ⇔ 175	Zone 1, 2, 3
		176 ⇔ 183	Zone 2, 3, 4
		184 ⇔ 191	Zone 3, 4, 5
		192 ⇔ 199	Zone 1, 4, 5
		200 ⇔ 207	Zone 1, 2, 5
		208 ⇔ 215	Zone 1, 2, 3, 4
		216 ⇔ 223	Zone 2, 3, 4, 5
		224 ⇔ 231	Zone 1, 3, 4, 5
		232 ⇔ 239	Zone 1, 2, 4, 5
		240 ⇔ 247	Zone 1, 2, 3, 5
		248 ⇔ 255	Zone 1, 2, 3, 4, 5

Kanal	Funktion	Wert	Prozent/Einstellung
30	Programme	000 ⇔ 015	Keine Funktion
		016 ⇔ 020	Kreismakro 1
		021 ⇔ 025	Kreismakro 2
		026 ⇔ 030	Kreismakro 3
		031 ⇔ 035	Kreismakro 4
		036 ⇔ 040	Kreismakro 5
		041 ⇔ 045	Kreismakro 6
		046 ⇔ 050	Kreismakro 7
		051 ⇔ 055	Kreismakro 8
		056 ⇔ 060	Kreismakro 9
		061 ⇔ 065	Kreismakro 10
		066 ⇔ 070	Kreismakro 11
		071 ⇔ 075	Kreismakro 12
		076 ⇔ 080	Kreismakro 13
		081 ⇔ 085	Kreismakro 14
		086 ⇔ 090	Kreismakro 15
		091 ⇔ 095	Kreismakro 16
		096 ⇔ 100	Kreismakro 17
		101 ⇔ 105	Kreismakro 18
		106 ⇔ 110	Kreismakro 19
		111 ⇔ 115	Kreismakro 20
		116 ⇔ 120	Kreismakro 21
		121 ⇔ 125	Kreismakro 22
		126 ⇔ 130	Kreismakro 23
		131 ⇔ 135	Kreismakro 24
		136 ⇔ 140	Farbkreis Makro 1
		141 ⇔ 145	Farbkreis Makro 2
		146 ⇔ 150	Farbkreis Makro 3
		151 ⇔ 155	Farbkreis Makro 4
		156 ⇔ 160	Farbkreis Makro 5
161 ⇔ 165	Farbkreis Makro 6		
166 ⇔ 170	Farbkreis Makro 7		
171 ⇔ 175	Farbkreis Makro 8		
176 ⇔ 180	Farbkreis Makro 9		
181 ⇔ 185	Farbkreis Makro 10		
186 ⇔ 190	Farbkreis Makro 11		
191 ⇔ 195	Farbkreis Makro 12		
196 ⇔ 200	Farbkreis Makro 13		
201 ⇔ 205	Farbkreis Makro 14		
206 ⇔ 210	Farbkreis Makro 15		
211 ⇔ 215	Farbkreis Makro 16		
216 ⇔ 220	Farbkreis Makro 17		
221 ⇔ 225	Farbkreis Makro 18		
226 ⇔ 230	Farbkreis Makro 19		
231 ⇔ 235	Farbkreis Makro 20		
236 ⇔ 240	Farbkreis Makro 21		
241 ⇔ 245	Farbkreis Makro 22		
246 ⇔ 250	Farbkreis Makro 23		
251 ⇔ 255	Farbkreis Makro 24		
31	Automatische Geschwindigkeit	000 ⇔ 255	0–100%
32	Zoom	000 ⇔ 255	0–100%

Kanal	Funktion	Wert	Prozent/Einstellung
33	Steuerung (5 Sekunden Aktivierungsverzögerung)	000 ⇔ 009	Keine Funktion
		010 ⇔ 014	Während Schwenkung/Neigung verdunkeln
		015 ⇔ 049	Keine Funktion
		050 ⇔ 054	Schwenkung zurücksetzen
		055 ⇔ 059	Neigung zurücksetzen
		060 ⇔ 064	Zoom zurücksetzen
		065 ⇔ 069	Keine Funktion
		070 ⇔ 074	Reset all
		075 ⇔ 079	Keine Funktion
		080 ⇔ 084	Umgekehrte Schwenkung und Neigung
		085 ⇔ 089	Umgekehrte Schwenkung
		090 ⇔ 094	Umgekehrte Neigung
		095 ⇔ 099	Schwenk Normal
		100 ⇔ 104	Neigung Normal
		105 ⇔ 109	Schwenk und Neigung Normal
		110 ⇔ 119	Keine Funktion
		120 ⇔ 124	Lüfter im ECO-Modus
		125 ⇔ 129	Lüfter bei voller Geschwindigkeit
		130 ⇔ 134	Automatische Geschwindigkeit des Lüfters
		135 ⇔ 139	Schneller Dimmungskurve
140 ⇔ 144	Glatter Dimmungskurve		
145 ⇔ 255	Keine Funktion		

33CH MS

Kanal	Funktion	Wert	Prozent/Einstellung
1	Schwenkung	000 ⇔ 255	0–100%
2	Feinschwenkung	000 ⇔ 255	Feinkontrolle (16-Bit)
3	Neigung	000 ⇔ 255	0–100%
4	Feinneigung	000 ⇔ 255	Feinkontrolle (16-Bit)
5	S/N Geschwindigkeit	000 ⇔ 255	Schwenkung/Neigung Geschwindigkeit, schnell bis langsam
6	Dimmer	000 ⇔ 255	0–100%
7	Stroboskop	000 ⇔ 019	Aus
		020 ⇔ 024	Ein
		025 ⇔ 064	Stroboskop, schnell bis langsam
		065 ⇔ 069	Ein
		070 ⇔ 084	Schnell einschalten, langsam ausschalten (schnell bis langsam)
		085 ⇔ 089	Ein
		090 ⇔ 104	Langsam einschalten, schnell ausschalten (schnell bis langsam)
		105 ⇔ 109	Ein
		110 ⇔ 124	Zufalls-Strobe, schnell bis langsam
		125 ⇔ 129	Ein
		130 ⇔ 144	Zufalls: schnell einschalten, langsam ausschalten (schnell bis langsam)
		145 ⇔ 149	Ein
		150 ⇔ 164	Zufalls: langsam einschalten, schnell ausschalten (schnell bis langsam)
		165 ⇔ 169	Ein
		170 ⇔ 184	Pulse-Strobe, schnell bis langsam
		184 ⇔ 189	Ein
		190 ⇔ 204	Zufalls Pulse-Strobe, schnell bis langsam
		205 ⇔ 209	Ein
		210 ⇔ 224	Langsam einschalten, langsam ausschalten (schnell bis langsam)
		225 ⇔ 229	Ein
230 ⇔ 244	Pulse-Strobe, schnell bis langsam		
245 ⇔ 255	Ein		

Kanal	Funktion	Wert	Prozent/Einstellung
8	Farb	000 ⇔ 004	Keine Funktion
		005 ⇔ 009	Farb 1
		010 ⇔ 014	Farb 2
		015 ⇔ 019	Farb 3
		020 ⇔ 024	Farb 4
		025 ⇔ 029	Farb 5
		030 ⇔ 034	Farb 6
		035 ⇔ 039	Farb 7
		040 ⇔ 044	Farb 8
		045 ⇔ 049	Farb 9
		050 ⇔ 054	Farb 10
		055 ⇔ 059	Farb 11
		060 ⇔ 064	Farb 12
		065 ⇔ 069	Farb 13
		070 ⇔ 074	Farb 14
		075 ⇔ 079	Farb 15
		080 ⇔ 084	Farb 16
		085 ⇔ 089	Farb 17
		090 ⇔ 094	Farb 18
		095 ⇔ 099	Farb 19
		100 ⇔ 104	Farb 20
		105 ⇔ 109	Farb 21
		110 ⇔ 114	Farb 22
		115 ⇔ 119	Farb 23
		120 ⇔ 124	Farb 24
		125 ⇔ 129	Farb 25
		130 ⇔ 134	Farb 26
		135 ⇔ 139	Farb 27
		140 ⇔ 144	Farb 28
		145 ⇔ 149	Farb 29
		150 ⇔ 154	Farb 30
		155 ⇔ 159	Farb 31
		160 ⇔ 164	Farb 32
		165 ⇔ 169	Farb 33
170 ⇔ 174	Farb 34		
175 ⇔ 179	Keine Funktion		
180 ⇔ 201	Regenbogenfarben kreiseln, schnell bis langsam		
202 ⇔ 207	Halten		
208 ⇔ 229	Regenbogenfarben kreiseln umgekehrt, schnell bis langsam		
230 ⇔ 234	Keine Funktion		
235 ⇔ 249	Augenblicklich Farbänderung, schnell bis langsam		
250 ⇔ 255	Keine Funktion		

SCHNELLANLEITUNG



DE

Kanal	Funktion	Wert	Prozent/Einstellung
9	Zonenauswahl	000 ⇔ 007	Zone 1, 2, 3, 4, 5
		008 ⇔ 015	Zone 2, 3, 4, 5
		016 ⇔ 023	Zone 3, 4, 5
		024 ⇔ 031	Zone 4, 5
		032 ⇔ 039	Zone 5
		040 ⇔ 047	Keine Funktion
		048 ⇔ 055	Zone 1
		056 ⇔ 063	Zone 1, 2
		064 ⇔ 071	Zone 1, 2, 3
		072 ⇔ 079	Zone 1, 2, 3, 4
		080 ⇔ 087	Zone 1, 2, 3, 4, 5
		088 ⇔ 095	Zone 1
		096 ⇔ 103	Zone 2
		104 ⇔ 111	Zone 3
		112 ⇔ 119	Zone 4
		120 ⇔ 127	Zone 5
		128 ⇔ 135	Zone 1, 2
		136 ⇔ 143	Zone 2, 3
		144 ⇔ 151	Zone 3, 4
		152 ⇔ 159	Zone 4, 5
		160 ⇔ 167	Zone 1, 5
		168 ⇔ 175	Zone 1, 2, 3
		176 ⇔ 183	Zone 2, 3, 4
		184 ⇔ 191	Zone 3, 4, 5
		192 ⇔ 199	Zone 1, 4, 5
		200 ⇔ 207	Zone 1, 2, 5
		208 ⇔ 215	Zone 1, 2, 3, 4
		216 ⇔ 223	Zone 2, 3, 4, 5
		224 ⇔ 231	Zone 1, 3, 4, 5
		232 ⇔ 239	Zone 1, 2, 4, 5
		240 ⇔ 247	Zone 1, 2, 3, 5
		248 ⇔ 255	Zone 1, 2, 3, 4, 5

Kanal	Funktion	Wert	Prozent/Einstellung
10	Programme	000 ⇔ 015	Keine Funktion
		016 ⇔ 020	Kreismakro 1
		021 ⇔ 025	Kreismakro 2
		026 ⇔ 030	Kreismakro 3
		031 ⇔ 035	Kreismakro 4
		036 ⇔ 040	Kreismakro 5
		041 ⇔ 045	Kreismakro 6
		046 ⇔ 050	Kreismakro 7
		051 ⇔ 055	Kreismakro 8
		056 ⇔ 060	Kreismakro 9
		061 ⇔ 065	Kreismakro 10
		066 ⇔ 070	Kreismakro 11
		071 ⇔ 075	Kreismakro 12
		076 ⇔ 080	Kreismakro 13
		081 ⇔ 085	Kreismakro 14
		086 ⇔ 090	Kreismakro 15
		091 ⇔ 095	Kreismakro 16
		096 ⇔ 100	Kreismakro 17
		101 ⇔ 105	Kreismakro 18
		106 ⇔ 110	Kreismakro 19
		111 ⇔ 115	Kreismakro 20
		116 ⇔ 120	Kreismakro 21
		121 ⇔ 125	Kreismakro 22
		126 ⇔ 130	Kreismakro 23
		131 ⇔ 135	Kreismakro 24
		136 ⇔ 140	Farbkreis Makro 1
		141 ⇔ 145	Farbkreis Makro 2
		146 ⇔ 150	Farbkreis Makro 3
		151 ⇔ 155	Farbkreis Makro 4
		156 ⇔ 160	Farbkreis Makro 5
		161 ⇔ 165	Farbkreis Makro 6
		166 ⇔ 170	Farbkreis Makro 7
171 ⇔ 175	Farbkreis Makro 8		
176 ⇔ 180	Farbkreis Makro 9		
181 ⇔ 185	Farbkreis Makro 10		
186 ⇔ 190	Farbkreis Makro 11		
191 ⇔ 195	Farbkreis Makro 12		
196 ⇔ 200	Farbkreis Makro 13		
201 ⇔ 205	Farbkreis Makro 14		
206 ⇔ 210	Farbkreis Makro 15		
211 ⇔ 215	Farbkreis Makro 16		
216 ⇔ 220	Farbkreis Makro 17		
221 ⇔ 225	Farbkreis Makro 18		
226 ⇔ 230	Farbkreis Makro 19		
231 ⇔ 235	Farbkreis Makro 20		
236 ⇔ 240	Farbkreis Makro 21		
241 ⇔ 245	Farbkreis Makro 22		
246 ⇔ 250	Farbkreis Makro 23		
251 ⇔ 255	Farbkreis Makro 24		
11	Automatische Geschwindigkeit	000 ⇔ 255	0–100%
12	Zoom	000 ⇔ 255	0–100%

Kanal	Funktion	Wert	Prozent/Einstellung
13	Steuerung (5 Sekunden Aktivierungsverzögerung)	000 ⇔ 009	Keine Funktion
		010 ⇔ 014	Während Schwenkung/Neigung verdunkeln
		015 ⇔ 049	Keine Funktion
		050 ⇔ 054	Schwenkung zurücksetzen
		055 ⇔ 059	Neigung zurücksetzen
		060 ⇔ 064	Zoom zurücksetzen
		065 ⇔ 069	Keine Funktion
		070 ⇔ 074	Reset all
		075 ⇔ 079	Keine Funktion
		080 ⇔ 084	Umgekehrte Schwenkung und Neigung
		085 ⇔ 089	Umgekehrte Schwenkung
		090 ⇔ 094	Umgekehrte Neigung
		095 ⇔ 099	Schwenk Normal
		100 ⇔ 104	Neigung Normal
		105 ⇔ 109	Schwenk und Neigung Normal
		110 ⇔ 119	Keine Funktion
		120 ⇔ 124	Lüfter im ECO-Modus
		125 ⇔ 129	Lüfter bei voller Geschwindigkeit
		130 ⇔ 134	Automatische Geschwindigkeit des Lüfters
		135 ⇔ 139	Schneller Dimmungskurve
140 ⇔ 144	Glatter Dimmungskurve		
145 ⇔ 255	Keine Funktion		
14	Rot 1	000 ⇔ 255	0–100%
15	Grün 1	000 ⇔ 255	0–100%
16	Blau 1	000 ⇔ 255	0–100%
17	Weiß 1	000 ⇔ 255	0–100%
18	Rot 2	000 ⇔ 255	0–100%
19	Grün 2	000 ⇔ 255	0–100%
20	Blau 2	000 ⇔ 255	0–100%
21	Weiß 2	000 ⇔ 255	0–100%
22	Rot 3	000 ⇔ 255	0–100%
23	Grün 3	000 ⇔ 255	0–100%
24	Blau 3	000 ⇔ 255	0–100%
25	Weiß 3	000 ⇔ 255	0–100%
26	Rot 4	000 ⇔ 255	0–100%
27	Grün 4	000 ⇔ 255	0–100%
28	Blau 4	000 ⇔ 255	0–100%
29	Weiß 4	000 ⇔ 255	0–100%
30	Rot 5	000 ⇔ 255	0–100%
31	Grün 5	000 ⇔ 255	0–100%
32	Blau 5	000 ⇔ 255	0–100%
33	Weiß 5	000 ⇔ 255	0–100%

22CH

Kanal	Funktion	Wert	Prozent/Einstellung
1	Schwenkung	000 ⇔ 255	0–100%
2	Feinschwenkung	000 ⇔ 255	Feinkontrolle (16-Bit)
3	Neigung	000 ⇔ 255	0–100%
4	Feinneigung	000 ⇔ 255	Feinkontrolle (16-Bit)
5	S/N Geschwindigkeit	000 ⇔ 255	Schwenkung/Neigung Geschwindigkeit, schnell bis langsam
6	Dimmer	000 ⇔ 255	0–100%
7	Feine Dimmer	000 ⇔ 255	Feinkontrolle (16-Bit)

Kanal	Funktion	Wert	Prozent/Einstellung
8	Stroboskop	000 ⇔ 019	Aus
		020 ⇔ 024	Ein
		025 ⇔ 064	Stroboskop, schnell bis langsam
		065 ⇔ 069	Ein
		070 ⇔ 084	Schnell einschalten, langsam ausschalten (schnell bis langsam)
		085 ⇔ 089	Ein
		090 ⇔ 104	Langsam einschalten, schnell ausschalten (schnell bis langsam)
		105 ⇔ 109	Ein
		110 ⇔ 124	Zufalls-Strobe, schnell bis langsam
		125 ⇔ 129	Ein
		130 ⇔ 144	Zufalls: schnell einschalten, langsam ausschalten (schnell bis langsam)
		145 ⇔ 149	Ein
		150 ⇔ 164	Zufalls: langsam einschalten, schnell ausschalten (schnell bis langsam)
		165 ⇔ 169	Ein
		170 ⇔ 184	Pulse-Strobe, schnell bis langsam
		184 ⇔ 189	Ein
		190 ⇔ 204	Zufalls Pulse-Strobe, schnell bis langsam
205 ⇔ 209	Ein		
210 ⇔ 224	Langsam einschalten, langsam ausschalten (schnell bis langsam)		
225 ⇔ 229	Ein		
230 ⇔ 244	Pulse-Strobe, schnell bis langsam		
245 ⇔ 255	Ein		
9	Rot	000 ⇔ 255	0–100%
10	Fein rot	000 ⇔ 255	Feinkontrolle (16-Bit)
11	Grün	000 ⇔ 255	0–100%
12	Fein grün	000 ⇔ 255	Feinkontrolle (16-Bit)
13	Blau	000 ⇔ 255	0–100%
14	Fein blau	000 ⇔ 255	Feinkontrolle (16-Bit)
15	Weiß	000 ⇔ 255	0–100%
16	Fein weiß	000 ⇔ 255	Feinkontrolle (16-Bit)

SCHNELLANLEITUNG



DE

Kanal	Funktion	Wert	Prozent/Einstellung
17	Farb	000 ⇔ 004	Keine Funktion
		005 ⇔ 009	Farb 1
		010 ⇔ 014	Farb 2
		015 ⇔ 019	Farb 3
		020 ⇔ 024	Farb 4
		025 ⇔ 029	Farb 5
		030 ⇔ 034	Farb 6
		035 ⇔ 039	Farb 7
		040 ⇔ 044	Farb 8
		045 ⇔ 049	Farb 9
		050 ⇔ 054	Farb 10
		055 ⇔ 059	Farb 11
		060 ⇔ 064	Farb 12
		065 ⇔ 069	Farb 13
		070 ⇔ 074	Farb 14
		075 ⇔ 079	Farb 15
		080 ⇔ 084	Farb 16
		085 ⇔ 089	Farb 17
		090 ⇔ 094	Farb 18
		095 ⇔ 099	Farb 19
		100 ⇔ 104	Farb 20
		105 ⇔ 109	Farb 21
		110 ⇔ 114	Farb 22
		115 ⇔ 119	Farb 23
		120 ⇔ 124	Farb 24
		125 ⇔ 129	Farb 25
		130 ⇔ 134	Farb 26
		135 ⇔ 139	Farb 27
		140 ⇔ 144	Farb 28
		145 ⇔ 149	Farb 29
		150 ⇔ 154	Farb 30
		155 ⇔ 159	Farb 31
		160 ⇔ 164	Farb 32
		165 ⇔ 169	Farb 33
170 ⇔ 174	Farb 34		
175 ⇔ 179	Keine Funktion		
180 ⇔ 201	Regenbogenfarben kreiseln, schnell bis langsam		
202 ⇔ 207	Halten		
208 ⇔ 229	Regenbogenfarben kreiseln umgekehrt, schnell bis langsam		
230 ⇔ 234	Keine Funktion		
235 ⇔ 249	Augenblicklich Farbänderung, schnell bis langsam		
250 ⇔ 255	Keine Funktion		

Kanal	Funktion	Wert	Prozent/Einstellung
18	Zonenauswahl	000 ⇔ 007	Zone 1, 2, 3, 4, 5
		008 ⇔ 015	Zone 2, 3, 4, 5
		016 ⇔ 023	Zone 3, 4, 5
		024 ⇔ 031	Zone 4, 5
		032 ⇔ 039	Zone 5
		040 ⇔ 047	Keine Funktion
		048 ⇔ 055	Zone 1
		056 ⇔ 063	Zone 1, 2
		064 ⇔ 071	Zone 1, 2, 3
		072 ⇔ 079	Zone 1, 2, 3, 4
		080 ⇔ 087	Zone 1, 2, 3, 4, 5
		088 ⇔ 095	Zone 1
		096 ⇔ 103	Zone 2
		104 ⇔ 111	Zone 3
		112 ⇔ 119	Zone 4
		120 ⇔ 127	Zone 5
		128 ⇔ 135	Zone 1, 2
		136 ⇔ 143	Zone 2, 3
		144 ⇔ 151	Zone 3, 4
		152 ⇔ 159	Zone 4, 5
		160 ⇔ 167	Zone 1, 5
		168 ⇔ 175	Zone 1, 2, 3
		176 ⇔ 183	Zone 2, 3, 4
		184 ⇔ 191	Zone 3, 4, 5
		192 ⇔ 199	Zone 1, 4, 5
		200 ⇔ 207	Zone 1, 2, 5
		208 ⇔ 215	Zone 1, 2, 3, 4
		216 ⇔ 223	Zone 2, 3, 4, 5
		224 ⇔ 231	Zone 1, 3, 4, 5
		232 ⇔ 239	Zone 1, 2, 4, 5
240 ⇔ 247	Zone 1, 2, 3, 5		
248 ⇔ 255	Zone 1, 2, 3, 4, 5		

SCHNELLANLEITUNG



DE

Kanal	Funktion	Wert	Prozent/Einstellung
19	Programme	000 ⇔ 015	Keine Funktion
		016 ⇔ 020	Kreismakro 1
		021 ⇔ 025	Kreismakro 2
		026 ⇔ 030	Kreismakro 3
		031 ⇔ 035	Kreismakro 4
		036 ⇔ 040	Kreismakro 5
		041 ⇔ 045	Kreismakro 6
		046 ⇔ 050	Kreismakro 7
		051 ⇔ 055	Kreismakro 8
		056 ⇔ 060	Kreismakro 9
		061 ⇔ 065	Kreismakro 10
		066 ⇔ 070	Kreismakro 11
		071 ⇔ 075	Kreismakro 12
		076 ⇔ 080	Kreismakro 13
		081 ⇔ 085	Kreismakro 14
		086 ⇔ 090	Kreismakro 15
		091 ⇔ 095	Kreismakro 16
		096 ⇔ 100	Kreismakro 17
		101 ⇔ 105	Kreismakro 18
		106 ⇔ 110	Kreismakro 19
		111 ⇔ 115	Kreismakro 20
		116 ⇔ 120	Kreismakro 21
		121 ⇔ 125	Kreismakro 22
		126 ⇔ 130	Kreismakro 23
		131 ⇔ 135	Kreismakro 24
		136 ⇔ 140	Farbkreis Makro 1
		141 ⇔ 145	Farbkreis Makro 2
		146 ⇔ 150	Farbkreis Makro 3
		151 ⇔ 155	Farbkreis Makro 4
		156 ⇔ 160	Farbkreis Makro 5
		161 ⇔ 165	Farbkreis Makro 6
		166 ⇔ 170	Farbkreis Makro 7
		171 ⇔ 175	Farbkreis Makro 8
		176 ⇔ 180	Farbkreis Makro 9
		181 ⇔ 185	Farbkreis Makro 10
		186 ⇔ 190	Farbkreis Makro 11
		191 ⇔ 195	Farbkreis Makro 12
		196 ⇔ 200	Farbkreis Makro 13
		201 ⇔ 205	Farbkreis Makro 14
		206 ⇔ 210	Farbkreis Makro 15
		211 ⇔ 215	Farbkreis Makro 16
		216 ⇔ 220	Farbkreis Makro 17
		221 ⇔ 225	Farbkreis Makro 18
		226 ⇔ 230	Farbkreis Makro 19
		231 ⇔ 235	Farbkreis Makro 20
		236 ⇔ 240	Farbkreis Makro 21
		241 ⇔ 245	Farbkreis Makro 22
		246 ⇔ 250	Farbkreis Makro 23
251 ⇔ 255	Farbkreis Makro 24		
20	Automatische Geschwindigkeit	000 ⇔ 255	0–100%
21	Zoom	000 ⇔ 255	0–100%

Kanal	Funktion	Wert	Prozent/Einstellung
22	Steuerung (5 Sekunden Aktivierungsverzögerung)	000 ⇔ 009	Keine Funktion
		010 ⇔ 014	Während Schwenkung/Neigung verdunkeln
		015 ⇔ 049	Keine Funktion
		050 ⇔ 054	Schwenkung zurücksetzen
		055 ⇔ 059	Neigung zurücksetzen
		060 ⇔ 064	Zoom zurücksetzen
		065 ⇔ 069	Keine Funktion
		070 ⇔ 074	Reset all
		075 ⇔ 079	Keine Funktion
		080 ⇔ 084	Umgekehrte Schwenkung und Neigung
		085 ⇔ 089	Umgekehrte Schwenkung
		090 ⇔ 094	Umgekehrte Neigung
		095 ⇔ 099	Schwenk Normal
		100 ⇔ 104	Neigung Normal
		105 ⇔ 109	Schwenk und Neigung Normal
		110 ⇔ 119	Keine Funktion
		120 ⇔ 124	Lüfter im ECO-Modus
		125 ⇔ 129	Lüfter bei voller Geschwindigkeit
		130 ⇔ 134	Automatische Geschwindigkeit des Lüfters
		135 ⇔ 139	Schneller Dimmungskurve
140 ⇔ 144	Glatter Dimmungskurve		
145 ⇔ 255	Keine Funktion		

17CH

Kanal	Funktion	Wert	Prozent/Einstellung
1	Schwenkung	000 ⇔ 255	0–100%
2	Feinschwenkung	000 ⇔ 255	Feinkontrolle (16-Bit)
3	Neigung	000 ⇔ 255	0–100%
4	Feinneigung	000 ⇔ 255	Feinkontrolle (16-Bit)
5	S/N Geschwindigkeit	000 ⇔ 255	Schwenkung/Neigung Geschwindigkeit, schnell bis langsam
6	Dimmer	000 ⇔ 255	0–100%
7	Stroboskop	000 ⇔ 019	Aus
		020 ⇔ 024	Ein
		025 ⇔ 064	Stroboskop, schnell bis langsam
		065 ⇔ 069	Ein
		070 ⇔ 084	Schnell einschalten, langsam ausschalten (schnell bis langsam)
		085 ⇔ 089	Ein
		090 ⇔ 104	Langsam einschalten, schnell ausschalten (schnell bis langsam)
		105 ⇔ 109	Ein
		110 ⇔ 124	Zufalls-Strobe, schnell bis langsam
		125 ⇔ 129	Ein
		130 ⇔ 144	Zufalls: schnell einschalten, langsam ausschalten (schnell bis langsam)
		145 ⇔ 149	Ein
		150 ⇔ 164	Zufalls: langsam einschalten, schnell ausschalten (schnell bis langsam)
		165 ⇔ 169	Ein
		170 ⇔ 184	Pulse-Strobe, schnell bis langsam
		184 ⇔ 189	Ein
		190 ⇔ 204	Zufalls Pulse-Strobe, schnell bis langsam
205 ⇔ 209	Ein		
210 ⇔ 224	Langsam einschalten, langsam ausschalten (schnell bis langsam)		
225 ⇔ 229	Ein		
230 ⇔ 244	Pulse-Strobe, schnell bis langsam		
245 ⇔ 255	Ein		
8	Rot	000 ⇔ 255	0–100%
9	Grün	000 ⇔ 255	0–100%

SCHNELLANLEITUNG



DE

Kanal	Funktion	Wert	Prozent/Einstellung
10	Blau	000 ⇔ 255	0–100%
11	Weiß	000 ⇔ 255	0–100%
12	Farb	000 ⇔ 004	Keine Funktion
		005 ⇔ 009	Farb 1
		010 ⇔ 014	Farb 2
		015 ⇔ 019	Farb 3
		020 ⇔ 024	Farb 4
		025 ⇔ 029	Farb 5
		030 ⇔ 034	Farb 6
		035 ⇔ 039	Farb 7
		040 ⇔ 044	Farb 8
		045 ⇔ 049	Farb 9
		050 ⇔ 054	Farb 10
		055 ⇔ 059	Farb 11
		060 ⇔ 064	Farb 12
		065 ⇔ 069	Farb 13
		070 ⇔ 074	Farb 14
		075 ⇔ 079	Farb 15
		080 ⇔ 084	Farb 16
		085 ⇔ 089	Farb 17
		090 ⇔ 094	Farb 18
		095 ⇔ 099	Farb 19
		100 ⇔ 104	Farb 20
		105 ⇔ 109	Farb 21
		110 ⇔ 114	Farb 22
		115 ⇔ 119	Farb 23
		120 ⇔ 124	Farb 24
		125 ⇔ 129	Farb 25
		130 ⇔ 134	Farb 26
		135 ⇔ 139	Farb 27
		140 ⇔ 144	Farb 28
		145 ⇔ 149	Farb 29
		150 ⇔ 154	Farb 30
		155 ⇔ 159	Farb 31
		160 ⇔ 164	Farb 32
		165 ⇔ 169	Farb 33
170 ⇔ 174	Farb 34		
175 ⇔ 179	Keine Funktion		
180 ⇔ 201	Regenbogenfarben kreiseln, schnell bis langsam		
202 ⇔ 207	Halten		
208 ⇔ 229	Regenbogenfarben kreiseln umgekehrt, schnell bis langsam		
230 ⇔ 234	Keine Funktion		
235 ⇔ 249	Augenblicklich Farbänderung, schnell bis langsam		
250 ⇔ 255	Keine Funktion		

Kanal	Funktion	Wert	Prozent/Einstellung
13	Zonenauswahl	000 ⇔ 007	Zone 1, 2, 3, 4, 5
		008 ⇔ 015	Zone 2, 3, 4, 5
		016 ⇔ 023	Zone 3, 4, 5
		024 ⇔ 031	Zone 4, 5
		032 ⇔ 039	Zone 5
		040 ⇔ 047	Keine Funktion
		048 ⇔ 055	Zone 1
		056 ⇔ 063	Zone 1, 2
		064 ⇔ 071	Zone 1, 2, 3
		072 ⇔ 079	Zone 1, 2, 3, 4
		080 ⇔ 087	Zone 1, 2, 3, 4, 5
		088 ⇔ 095	Zone 1
		096 ⇔ 103	Zone 2
		104 ⇔ 111	Zone 3
		112 ⇔ 119	Zone 4
		120 ⇔ 127	Zone 5
		128 ⇔ 135	Zone 1, 2
		136 ⇔ 143	Zone 2, 3
		144 ⇔ 151	Zone 3, 4
		152 ⇔ 159	Zone 4, 5
		160 ⇔ 167	Zone 1, 5
		168 ⇔ 175	Zone 1, 2, 3
		176 ⇔ 183	Zone 2, 3, 4
		184 ⇔ 191	Zone 3, 4, 5
		192 ⇔ 199	Zone 1, 4, 5
		200 ⇔ 207	Zone 1, 2, 5
		208 ⇔ 215	Zone 1, 2, 3, 4
		216 ⇔ 223	Zone 2, 3, 4, 5
		224 ⇔ 231	Zone 1, 3, 4, 5
		232 ⇔ 239	Zone 1, 2, 4, 5
240 ⇔ 247	Zone 1, 2, 3, 5		
248 ⇔ 255	Zone 1, 2, 3, 4, 5		

Kanal	Funktion	Wert	Prozent/Einstellung
14	Programme	000 ⇔ 015	Keine Funktion
		016 ⇔ 020	Kreismakro 1
		021 ⇔ 025	Kreismakro 2
		026 ⇔ 030	Kreismakro 3
		031 ⇔ 035	Kreismakro 4
		036 ⇔ 040	Kreismakro 5
		041 ⇔ 045	Kreismakro 6
		046 ⇔ 050	Kreismakro 7
		051 ⇔ 055	Kreismakro 8
		056 ⇔ 060	Kreismakro 9
		061 ⇔ 065	Kreismakro 10
		066 ⇔ 070	Kreismakro 11
		071 ⇔ 075	Kreismakro 12
		076 ⇔ 080	Kreismakro 13
		081 ⇔ 085	Kreismakro 14
		086 ⇔ 090	Kreismakro 15
		091 ⇔ 095	Kreismakro 16
		096 ⇔ 100	Kreismakro 17
		101 ⇔ 105	Kreismakro 18
		106 ⇔ 110	Kreismakro 19
		111 ⇔ 115	Kreismakro 20
		116 ⇔ 120	Kreismakro 21
		121 ⇔ 125	Kreismakro 22
		126 ⇔ 130	Kreismakro 23
		131 ⇔ 135	Kreismakro 24
		136 ⇔ 140	Farbkreis Makro 1
		141 ⇔ 145	Farbkreis Makro 2
		146 ⇔ 150	Farbkreis Makro 3
		151 ⇔ 155	Farbkreis Makro 4
		156 ⇔ 160	Farbkreis Makro 5
		161 ⇔ 165	Farbkreis Makro 6
		166 ⇔ 170	Farbkreis Makro 7
		171 ⇔ 175	Farbkreis Makro 8
		176 ⇔ 180	Farbkreis Makro 9
		181 ⇔ 185	Farbkreis Makro 10
		186 ⇔ 190	Farbkreis Makro 11
		191 ⇔ 195	Farbkreis Makro 12
		196 ⇔ 200	Farbkreis Makro 13
		201 ⇔ 205	Farbkreis Makro 14
		206 ⇔ 210	Farbkreis Makro 15
211 ⇔ 215	Farbkreis Makro 16		
216 ⇔ 220	Farbkreis Makro 17		
221 ⇔ 225	Farbkreis Makro 18		
226 ⇔ 230	Farbkreis Makro 19		
231 ⇔ 235	Farbkreis Makro 20		
236 ⇔ 240	Farbkreis Makro 21		
241 ⇔ 245	Farbkreis Makro 22		
246 ⇔ 250	Farbkreis Makro 23		
251 ⇔ 255	Farbkreis Makro 24		
15	Automatische Geschwindigkeit	000 ⇔ 255	0–100%
16	Zoom	000 ⇔ 255	0–100%

Kanal	Funktion	Wert	Prozent/Einstellung
17	Steuerung (5 Sekunden Aktivierungsverzögerung)	000 ⇔ 009	Keine Funktion
		010 ⇔ 014	Während Schwenkung/Neigung verdunkeln
		015 ⇔ 049	Keine Funktion
		050 ⇔ 054	Schwenkung zurücksetzen
		055 ⇔ 059	Neigung zurücksetzen
		060 ⇔ 064	Zoom zurücksetzen
		065 ⇔ 069	Keine Funktion
		070 ⇔ 074	Reset all
		075 ⇔ 079	Keine Funktion
		080 ⇔ 084	Umgekehrte Schwenkung und Neigung
		085 ⇔ 089	Umgekehrte Schwenkung
		090 ⇔ 094	Umgekehrte Neigung
		095 ⇔ 099	Schwenk Normal
		100 ⇔ 104	Neigung Normal
		105 ⇔ 109	Schwenk und Neigung Normal
		110 ⇔ 119	Keine Funktion
		120 ⇔ 124	Lüfter im ECO-Modus
		125 ⇔ 129	Lüfter bei voller Geschwindigkeit
		130 ⇔ 134	Automatische Geschwindigkeit des Lüfters
		135 ⇔ 139	Schneller Dimmungskurve
140 ⇔ 144	Glatter Dimmungskurve		
145 ⇔ 255	Keine Funktion		

15CH

Kanal	Funktion	Wert	Prozent/Einstellung
1	Schwenkung	000 ⇔ 255	0–100%
2	Feinschwenkung	000 ⇔ 255	Feinkontrolle (16-Bit)
3	Neigung	000 ⇔ 255	0–100%
4	Feinneigung	000 ⇔ 255	Feinkontrolle (16-Bit)
5	S/N Geschwindigkeit	000 ⇔ 255	Schwenkung/Neigung Geschwindigkeit, schnell bis langsam
6	Dimmer	000 ⇔ 255	0–100%
7	Feine Dimmer	000 ⇔ 255	Feinkontrolle (16-Bit)
8	Stroboskop	000 ⇔ 019	Aus
		020 ⇔ 024	Ein
		025 ⇔ 064	Stroboskop, schnell bis langsam
		065 ⇔ 069	Ein
		070 ⇔ 084	Schnell einschalten, langsam ausschalten (schnell bis langsam)
		085 ⇔ 089	Ein
		090 ⇔ 104	Langsam einschalten, schnell ausschalten (schnell bis langsam)
		105 ⇔ 109	Ein
		110 ⇔ 124	Zufalls-Strobe, schnell bis langsam
		125 ⇔ 129	Ein
		130 ⇔ 144	Zufalls: schnell einschalten, langsam ausschalten (schnell bis langsam)
		145 ⇔ 149	Ein
		150 ⇔ 164	Zufalls: langsam einschalten, schnell ausschalten (schnell bis langsam)
		165 ⇔ 169	Ein
		170 ⇔ 184	Pulse-Strobe, schnell bis langsam
		184 ⇔ 189	Ein
		190 ⇔ 204	Zufalls Pulse-Strobe, schnell bis langsam
		205 ⇔ 209	Ein
210 ⇔ 224	Langsam einschalten, langsam ausschalten (schnell bis langsam)		
225 ⇔ 229	Ein		
230 ⇔ 244	Pulse-Strobe, schnell bis langsam		
245 ⇔ 255	Ein		
9	Rot	000 ⇔ 255	0–100%

SCHNELLANLEITUNG



DE

Kanal	Funktion	Wert	Prozent/Einstellung
10	Grün	000 ⇔ 255	0–100%
11	Blau	000 ⇔ 255	0–100%
12	Weiß	000 ⇔ 255	0–100%
13	Farb	000 ⇔ 004	Keine Funktion
		005 ⇔ 009	Farb 1
		010 ⇔ 014	Farb 2
		015 ⇔ 019	Farb 3
		020 ⇔ 024	Farb 4
		025 ⇔ 029	Farb 5
		030 ⇔ 034	Farb 6
		035 ⇔ 039	Farb 7
		040 ⇔ 044	Farb 8
		045 ⇔ 049	Farb 9
		050 ⇔ 054	Farb 10
		055 ⇔ 059	Farb 11
		060 ⇔ 064	Farb 12
		065 ⇔ 069	Farb 13
		070 ⇔ 074	Farb 14
		075 ⇔ 079	Farb 15
		080 ⇔ 084	Farb 16
		085 ⇔ 089	Farb 17
		090 ⇔ 094	Farb 18
		095 ⇔ 099	Farb 19
		100 ⇔ 104	Farb 20
		105 ⇔ 109	Farb 21
		110 ⇔ 114	Farb 22
		115 ⇔ 119	Farb 23
		120 ⇔ 124	Farb 24
		125 ⇔ 129	Farb 25
		130 ⇔ 134	Farb 26
		135 ⇔ 139	Farb 27
		140 ⇔ 144	Farb 28
		145 ⇔ 149	Farb 29
		150 ⇔ 154	Farb 30
		155 ⇔ 159	Farb 31
		160 ⇔ 164	Farb 32
		165 ⇔ 169	Farb 33
170 ⇔ 174	Farb 34		
175 ⇔ 179	Keine Funktion		
180 ⇔ 201	Regenbogenfarben kreiseln, schnell bis langsam		
202 ⇔ 207	Halten		
208 ⇔ 229	Regenbogenfarben kreiseln umgekehrt, schnell bis langsam		
230 ⇔ 234	Keine Funktion		
235 ⇔ 249	Augenblicklich Farbänderung, schnell bis langsam		
250 ⇔ 255	Keine Funktion		
14	Zoom	000 ⇔ 255	0–100%

Kanal	Funktion	Wert	Prozent/Einstellung
15	Steuerung (5 Sekunden Aktivierungsverzögerung)	000 ⇔ 009	Keine Funktion
		010 ⇔ 014	Während Schwenkung/Neigung verdunkeln
		015 ⇔ 049	Keine Funktion
		050 ⇔ 054	Schwenkung zurücksetzen
		055 ⇔ 059	Neigung zurücksetzen
		060 ⇔ 064	Zoom zurücksetzen
		065 ⇔ 069	Keine Funktion
		070 ⇔ 074	Reset all
		075 ⇔ 079	Keine Funktion
		080 ⇔ 084	Umgekehrte Schwenkung und Neigung
		085 ⇔ 089	Umgekehrte Schwenkung
		090 ⇔ 094	Umgekehrte Neigung
		095 ⇔ 099	Schwenk Normal
		100 ⇔ 104	Neigung Normal
		105 ⇔ 109	Schwenk und Neigung Normal
		110 ⇔ 119	Keine Funktion
		120 ⇔ 124	Lüfter im ECO-Modus
		125 ⇔ 129	Lüfter bei voller Geschwindigkeit
		130 ⇔ 134	Automatische Geschwindigkeit des Lüfters
		135 ⇔ 139	Schneller Dimmungskurve
140 ⇔ 144	Glatter Dimmungskurve		
145 ⇔ 255	Keine Funktion		

Over deze handleiding

De Rogue R2X Wash Beknopte Handleiding (BH) bevat basisinformatie over het product, zoals aansluiting, montage, menu-opties en DMX-waarden. Download de gebruikershandleiding op www.chauvetprofessional.com voor meer informatie.

Disclaimer

De informatie en specificaties in deze BH kunnen zonder voorafgaande kennisgeving worden gewijzigd.

BEPERKTE GARANTIE

GA NAAR ONZE WEBSITE VOOR REGISTRATIE VAN DE GARANTIE EN DE VOLLEDIGE ALGEMENE VOORWAARDEN.

Voor klanten in de Verenigde Staten en Mexico: www.chauvetlighting.com/warranty-registration.

Voor klanten in het Verenigd Koninkrijk, Ierland, België, Nederland, Luxemburg, Frankrijk en Duitsland: www.chauvetlighting.eu/warranty-registration.

Chauvet garandeert dat dit product bij normaal gebruik vrij zal blijven van defecten in materiaal en vakmanschap, voor de opgegeven periode en onder voorbehoud van de uitzonderingen en beperkingen die zijn uiteengezet in de volledige beperkte garantie op onze website. Deze garantie geldt uitsluitend voor de oorspronkelijke koper van het product en is niet overdraagbaar. Om onder deze garantie rechten uit te oefenen, moet u een aankoopbewijs overleggen in de vorm van een origineel verkoopbewijs van een geautoriseerde dealer, waarop de naam van het product en de aankoopdatum zichtbaar zijn. ER ZIJN GEEN ANDERE EXPLICIETE OF IMPLICIETE GARANTIES. Deze garantie geeft u specifieke wettelijke rechten. Mogelijk heeft u ook andere rechten die van staat tot staat en van land tot land verschillen. Deze garantie is uitsluitend geldig in de Verenigde Staten, het Verenigd Koninkrijk, Ierland, België, Nederland, Luxemburg, Frankrijk, Duitsland en Mexico. Neem contact op met uw lokale verkoper voor garantievoorwaarden in andere landen.

Veiligheidsinstructies

- Open het product NIET. Het bevat geen te onderhouden onderdelen.
- KIJK NIET in de lichtbron wanneer het apparaat is ingeschakeld.
- Om onnodige slijtage te elimineren en zijn levensduur te verlengen, gedurende perioden wanneer het product niet wordt gebruikt, moet u het product van de stroom afsluiten door een aardlekschakelaar om te zetten of door het te ontkoppelen.
- LET OP: Bij het verplaatsen van het product uit extreme omgevingen, (bijv. koude vrachtwagen naar warme, vochtige balzaal) kan er condensvorming optreden op de elektronica van het product. Om storingen te vermijden moet het product volledig kunnen acclimatiseren aan de omgeving voordat het op stroom wordt aangesloten.
- LET OP: De behuizing van dit product kan heet zijn wanneer het in bedrijf is.
- Monteer dit product op een plek met voldoende ventilatie, ten minste 50 cm van de aangrenzende oppervlakken.
- Plaats geen ontvlambaar materiaal binnen 50 cm van dit product als het in gebruik is of is aangesloten op het stopcontact.
- GEBRUIK een veiligheidskabel bij het boven het hoofd plaatsen van dit product.
- Gebruik dit product NIET buitenshuis of op een locatie waar stof, grote warmte, water of vochtigheid het kunnen beïnvloeden. (IP20)
- Gebruik dit product NIET als de behuizing, lenzen of kabels beschadigd lijken.
- Sluit dit product NIET aan op een dimmer of een regelweerstand.
- Sluit dit product UITSLUITEND op een geaard en beveiligd stroomcircuit.
- Gebruik UITSLUITEND de montagebeugels of de hendels om dit product te dragen. Draag het product niet aan de bewegende kop.
- Stop in het geval van ernstige operationele problemen onmiddellijk met het gebruik.
- De maximale omgevingstemperatuur bedraagt 45 °C. Gebruik dit product niet bij hogere temperaturen.

FCC-naleving

Dit apparaat voldoet aan Part 15 Part B van de FCC-regels. Het gebruik is onderworpen aan de volgende twee voorwaarden:

1. Dit apparaat mag geen schadelijke interferentie veroorzaken, en
2. Dit apparaat moet enige ontvangen interferentie accepteren, inclusief interferentie die een ongewenste werking kan veroorzaken.

Eventuele wijzigingen of aanpassingen die niet uitdrukkelijk door de voor naleving verantwoordelijke partij zijn goedgekeurd, kan de bevoegdheid van de gebruiker om de apparatuur te bedienen ongeldig verklaren.

Contact

Van buiten de VS, Verenigd Koninkrijk, Ierland, Benelux, Frankrijk, Duitsland of Mexico kunt u contact opnemen met de distributeur of om ondersteuning vragen dan wel het product retourneren. Raadpleeg [Contact Us](#) aan het einde van deze BH voor contactinformatie.

Wat is inbegrepen

- Rogue R2X Wash met verblindingsscherm
- Neutrik® powerCON® IP65 stroomsnoer
- Omegabeugel
- Beknopte handleiding

AC-stroom

Dit product heeft een voeding met automatisch bereik die werkt met een ingangsspanning van 100–240 VAC, 50/60 Hz.

Power Linking

U kunt tot 4 Rogue R2X Wash-producten koppelen bij 120 V, 8 producten bij 208 V of 9 producten bij 230 V. Dit aantal niet overschrijden. Power Linking-snoeren kunnen apart aangeschaft worden.

AC-stekker

Aansluiting	Snoer (VS)	Snoer (Europa)	Schroefkleur
AC Live	Zwart	Bruin	Geel/messing
AC Neutraal	Wit	Blauw	Zilver
AC Aarde	Groen/geel	Groen/geel	Groen



Om onnodige slijtage te elimineren en zijn levensduur te verlengen, gedurende perioden wanneer het product niet wordt gebruikt, moet u het product van de stroom afsluiten door een aardlekschakelaar om te zetten of door het te ontkoppelen.

De zekering vervangen

1. Ontkoppel dit product van de stroom.
2. Gebruik een platkopschroevendraaier en schroef de kap van de zekeringhouder los van de behuizing.
3. Verwijder de doorgebrande zekering en vervang het met een werkende zekering van hetzelfde type en met dezelfde waarde.
4. Schroef de kap van de zekeringhouder terug en steek de stekker er weer in.

DMX-koppeling

De Rogue R2X Wash kan met een DMX-controller werken met een 3- of 5-pins DMX seriële verbinding. Op www.chauvetprofessional.com is een DMX basishandleiding verkrijgbaar.

DMX-aansluiting

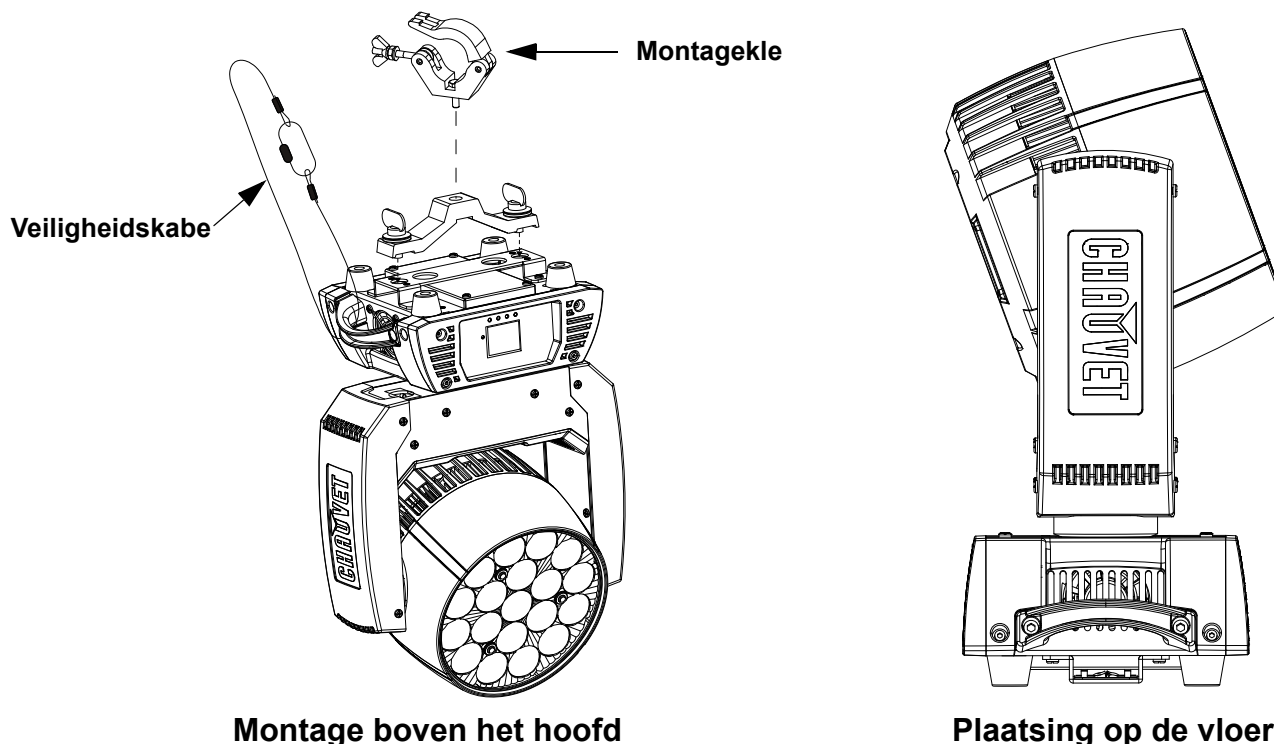
De Rogue R2X Wash gebruikt een normale DMX-gegevensverbinding voor zijn DMX-persoonlijkheden: **15CH, 17CH, 22CH, 33CH, 33CH MS, 54CH, 54CH MS** en **56CH**. Zie de gebruikershandleiding om te verbinden en te configureren voor DMX-werking.

RDM (apparaatbeheer op afstand)

Remote Device Management of RDM (apparaatbeheer op afstand) is een standaard die het voor DMX-apparaten mogelijk maakt om in twee richtingen te communiceren over bestaande DMX-kabels. De Rogue R2X Wash ondersteunt het RDM-protocol dat zorgt feedback toelaat bij de bewaking van wijzigingen aan de menu map-opties van. Download de gebruikershandleiding op www.chauvetprofessional.com voor meer informatie.

Montage

Lees alvorens dit product te monteren alle [Veiligheidsinstructies](#). Gebruik ten minste één montagepunt per product. Controleer of de montageklem het gewicht van het product kan dragen. Ga voor onze Chauvet-serie montageklemmen naar <http://trusst.com/productcategory/truss-clamps/>.

Montagediagram van het product


Als slechts één montageklem wordt gebruikt, moet een klem met een borgbout gebruikt worden, om onopzettelijk loskomen te vermijden.

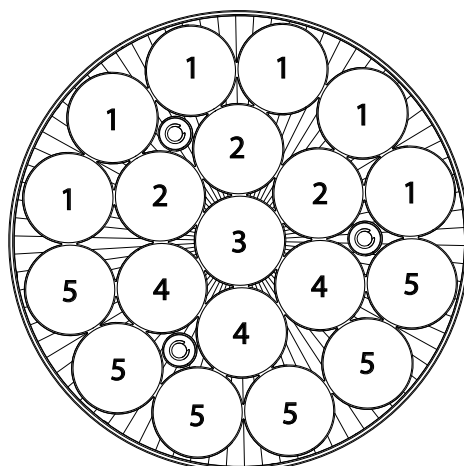
Beschrijving bedieningspaneel

Toet	Functie
<MENU>	Sluit het huidige menu of functie af
<ENTER>	Activeert het huidige getoonde menu of plaatst de huidige geselecteerde waarde in de geselecteerde functie
<UP>	Navigeert omhoog via het menu of verhoogt de numerieke waarde wanneer in een functie
<DOWN>	Navigeert omlaag via het menu of verlaagt de numerieke waarde wanneer in een functie

Menu-map

Hoofd-niveau	Programmeerniveaus		Beschrijving	
Address	001-512		Stelt het startadres in	
Run Mode	DMX	14CH	Selecteert de DMX-persoonlijkheid	
		15CH		
		19CH		
		21CH		
	Auto Test		Test alle functies automatisch	
	Manual Test	Pan	000-255	Test en regel alle instellingen handmatig via het bedieningspaneel
		Tilt		
		Dimmer		
		Shutter		
		Red		
Green				
Blue				
White				
Zoom				
Setup	Pan Reverse	OFF	Normale zwenkbediening	
		ON	Omgekeerde zwenkbediening	
	Tilt Reverse	OFF	Normale kantelbediening	
		ON	Omgekeerde kantelbediening	
	Pan Angle	540	540° pan range	
		360	360° pan range	
		180	180° pan range	
	Tilt Angle	230	230° tilt range	
		180	180° tilt range	
		90	90° tilt range	
	Fans	Auto	Ventilatorsnelheid in overeenstemming met de producttemperatuur	
		ECO	Stille modus	
		Full	Ventilatorsnelheid op hoog ingesteld	
	Display	OFF	Beeldscherm zal uitschakelen	
		ON	Beeldscherm blijft aan	
	Screen Rev	OFF	Display in normale oriëntatie	
		ON	Display in ondersteboven oriëntatie	
	Dimmer Curve	Linear	Stelt de dimcurve in	
Square				
I Squa				
SCurve				
Dimmer Speed	Smooth	Soepele dimmersnelheid		
	Fast	Snelle dimmersnelheid		
LED R POWER	050-100	Stelt de rode LED-stroom in		
LED G POWER	050-100	Stelt de groene LED-stroom in		
LED B POWER	050-100	Stelt de blauwe LED-stroom in		
LED W POWER	050-100	Stelt de witte LED-stroom in		

Hoofdniveau	Programmeerniveaus			Beschrijving	
Setup (cont.)	Color Calibration	Off		Gebruikt de maximale uitvoerwaarden	
		On		Gebruikt standaard witte instelling	
		Custom	RED	100–255	Stelt de maximum waarde van de rode LED in
			GREEN		Stelt de maximum waarde van de groene LED in
	BLUE		Stelt de maximum waarde van de blauwe LED in		
	Reset Function	Pan/Tilt	NO	Reset individuele functies of alle functies vanaf het opstarten	
			YES		
		Zoom	NO		
			YES		
		All	NO		
YES					
Factory Set			Reset naar standaard fabrieksinstellingen		
Sys Info	Fixture Information	Ver	V_	Toont de firmwareversie	
		Running Mode	---	Toont de huidige bedrijfsmodus	
		DMX Address	---	Toont het huidige startadres	
		Temperature	---	Toont de huidige temperatuur in °C	
		Fixture Time	-----	Toont het aantal uren dat het product is ingeschakeld	
		UID:	-----	Toont de product-UID	

Rogue R2X Wash Zones voor DMX-besturing

DMX-waarden
56CH

Kanaal	Functie	Waarde	Percentage/instelling
1	Zwenken	000 ⇔ 255	0–100%
2	Fijn zwenken	000 ⇔ 255	Fijne controle (16-bits)
3	Kantelen	000 ⇔ 255	0–100%
4	Fijn kantelen	000 ⇔ 255	Fijne controle (16-bits)
5	Zwenk-/kantelsnelheid	000 ⇔ 255	Snel tot langzaam
6	Dimmer	000 ⇔ 255	0–100%
7	Fijne dimmer	000 ⇔ 255	Fijne controle (16-bits)

Kanaal	Functie	Waarde	Percentage/instelling
8	Stroboscoop	000 ⇔ 019	Uit
		020 ⇔ 024	Aan
		025 ⇔ 064	Stroboscoop, snel tot langzaam
		065 ⇔ 069	Aan
		070 ⇔ 084	Snel inschakelen, langzaam uitschakelen
		085 ⇔ 089	Aan
		090 ⇔ 104	Langzaam inschakelen, snel uitschakelen (snel tot langzaam)
		105 ⇔ 109	Aan
		110 ⇔ 124	Willekeurig stroboscoop, snel tot langzaam
		125 ⇔ 129	Aan
		130 ⇔ 144	Willekeurig: snel inschakelen, langzaam uitschakelen (snel tot langzaam)
		145 ⇔ 149	Aan
		150 ⇔ 164	Willekeurig: langzaam inschakelen, snel uitschakelen (snel tot langzaam)
		165 ⇔ 169	Aan
		170 ⇔ 184	Puls stroboscoop, snel tot langzaam
		184 ⇔ 189	Aan
		190 ⇔ 204	Willekeurig puls stroboscoop, snel tot langzaam
		205 ⇔ 209	Aan
		210 ⇔ 224	Langzaam inschakelen, langzaam uitschakelen (snel tot langzaam)
		225 ⇔ 229	Aan
230 ⇔ 244	Puls stroboscoop, snel tot langzaam		
245 ⇔ 255	Aan		
9	Rood 1	000 ⇔ 255	0–100%
10	Fijn rood 1	000 ⇔ 255	Fijne controle (16-bits)
11	Groen 1	000 ⇔ 255	0–100%
12	Fijn Groen 1	000 ⇔ 255	Fijne controle (16-bits)
13	Blaauw 1	000 ⇔ 255	0–100%
14	Fijn Blaauw 1	000 ⇔ 255	Fijne controle (16-bits)
15	Wit 1	000 ⇔ 255	0–100%
16	Fijn Wit 1	000 ⇔ 255	Fijne controle (16-bits)
17	Rood 2	000 ⇔ 255	0–100%
18	Fijn rood 2	000 ⇔ 255	Fijne controle (16-bits)
19	Groen 2	000 ⇔ 255	0–100%
20	Fijn Groen 2	000 ⇔ 255	Fijne controle (16-bits)
21	Blaauw 2	000 ⇔ 255	0–100%
22	Fijn Blaauw 2	000 ⇔ 255	Fijne controle (16-bits)
23	Wit 2	000 ⇔ 255	0–100%
24	Fijn Wit 2	000 ⇔ 255	Fijne controle (16-bits)
25	Rood 3	000 ⇔ 255	0–100%
26	Fijn rood 3	000 ⇔ 255	Fijne controle (16-bits)
27	Groen 3	000 ⇔ 255	0–100%
28	Fijn Groen 3	000 ⇔ 255	Fijne controle (16-bits)
29	Blaauw 3	000 ⇔ 255	0–100%
30	Fijn Blaauw 3	000 ⇔ 255	Fijne controle (16-bits)
31	Wit 3	000 ⇔ 255	0–100%
32	Fijn Wit 3	000 ⇔ 255	Fijne controle (16-bits)
33	Rood 4	000 ⇔ 255	0–100%
34	Fijn rood 4	000 ⇔ 255	Fijne controle (16-bits)
35	Groen 4	000 ⇔ 255	0–100%
36	Fijn Groen 4	000 ⇔ 255	Fijne controle (16-bits)
37	Blaauw 4	000 ⇔ 255	0–100%
38	Fijn Blaauw 4	000 ⇔ 255	Fijne controle (16-bits)
39	Wit 4	000 ⇔ 255	0–100%
40	Fijn Wit 4	000 ⇔ 255	Fijne controle (16-bits)
41	Rood 5	000 ⇔ 255	0–100%

Kanaal	Functie	Waarde	Percentage/instelling
42	Fijn rood 5	000 ⇔ 255	Fijne controle (16-bits)
43	Groen 5	000 ⇔ 255	0–100%
44	Fijn Groen 5	000 ⇔ 255	Fijne controle (16-bits)
45	Blauw 5	000 ⇔ 255	0–100%
46	Fijn Blauw 5	000 ⇔ 255	Fijne controle (16-bits)
47	Wit 5	000 ⇔ 255	0–100%
48	Fijn Wit 5	000 ⇔ 255	Fijne controle (16-bits)
49	Kleur	000 ⇔ 004	Geen functie
		005 ⇔ 009	Kleur 1
		010 ⇔ 014	Kleur 2
		015 ⇔ 019	Kleur 3
		020 ⇔ 024	Kleur 4
		025 ⇔ 029	Kleur 5
		030 ⇔ 034	Kleur 6
		035 ⇔ 039	Kleur 7
		040 ⇔ 044	Kleur 8
		045 ⇔ 049	Kleur 9
		050 ⇔ 054	Kleur 10
		055 ⇔ 059	Kleur 11
		060 ⇔ 064	Kleur 12
		065 ⇔ 069	Kleur 13
		070 ⇔ 074	Kleur 14
		075 ⇔ 079	Kleur 15
		080 ⇔ 084	Kleur 16
		085 ⇔ 089	Kleur 17
		090 ⇔ 094	Kleur 18
		095 ⇔ 099	Kleur 19
		100 ⇔ 104	Kleur 20
		105 ⇔ 109	Kleur 21
		110 ⇔ 114	Kleur 22
		115 ⇔ 119	Kleur 23
		120 ⇔ 124	Kleur 24
		125 ⇔ 129	Kleur 25
		130 ⇔ 134	Kleur 26
		135 ⇔ 139	Kleur 27
		140 ⇔ 144	Kleur 28
		145 ⇔ 149	Kleur 29
		150 ⇔ 154	Kleur 30
155 ⇔ 159	Kleur 31		
160 ⇔ 164	Kleur 32		
165 ⇔ 169	Kleur 33		
170 ⇔ 174	Kleur 34		
175 ⇔ 179	Geen functie		
180 ⇔ 201	Kleurwijziging, snel tot langzaam		
202 ⇔ 207	Houden		
208 ⇔ 229	Omgekeerde kleurwijziging, snel tot langzaam		
230 ⇔ 234	Geen functie		
235 ⇔ 249	Ogenblikkelijk kleurverandering, snel tot langzaam		
250 ⇔ 255	Geen functie		

Kanaal	Functie	Waarde	Percentage/instelling
50	Zone selectie	000 ⇔ 007	Zone 1, 2, 3, 4, 5
		008 ⇔ 015	Zone 2, 3, 4, 5
		016 ⇔ 023	Zone 3, 4, 5
		024 ⇔ 031	Zone 4, 5
		032 ⇔ 039	Zone 5
		040 ⇔ 047	Geen functie
		048 ⇔ 055	Zone 1
		056 ⇔ 063	Zone 1, 2
		064 ⇔ 071	Zone 1, 2, 3
		072 ⇔ 079	Zone 1, 2, 3, 4
		080 ⇔ 087	Zone 1, 2, 3, 4, 5
		088 ⇔ 095	Zone 1
		096 ⇔ 103	Zone 2
		104 ⇔ 111	Zone 3
		112 ⇔ 119	Zone 4
		120 ⇔ 127	Zone 5
		128 ⇔ 135	Zone 1, 2
		136 ⇔ 143	Zone 2, 3
		144 ⇔ 151	Zone 3, 4
		152 ⇔ 159	Zone 4, 5
		160 ⇔ 167	Zone 1, 5
		168 ⇔ 175	Zone 1, 2, 3
		176 ⇔ 183	Zone 2, 3, 4
		184 ⇔ 191	Zone 3, 4, 5
		192 ⇔ 199	Zone 1, 4, 5
		200 ⇔ 207	Zone 1, 2, 5
		208 ⇔ 215	Zone 1, 2, 3, 4
		216 ⇔ 223	Zone 2, 3, 4, 5
		224 ⇔ 231	Zone 1, 3, 4, 5
		232 ⇔ 239	Zone 1, 2, 4, 5
		240 ⇔ 247	Zone 1, 2, 3, 5
		248 ⇔ 255	Zone 1, 2, 3, 4, 5

Kanaal	Functie	Waarde	Percentage/instelling
51	Programmas	000 ⇔ 015	Geen functie
		016 ⇔ 020	Ring macro 1
		021 ⇔ 025	Ring macro 2
		026 ⇔ 030	Ring macro 3
		031 ⇔ 035	Ring macro 4
		036 ⇔ 040	Ring macro 5
		041 ⇔ 045	Ring macro 6
		046 ⇔ 050	Ring macro 7
		051 ⇔ 055	Ring macro 8
		056 ⇔ 060	Ring macro 9
		061 ⇔ 065	Ring macro 10
		066 ⇔ 070	Ring macro 11
		071 ⇔ 075	Ring macro 12
		076 ⇔ 080	Ring macro 13
		081 ⇔ 085	Ring macro 14
		086 ⇔ 090	Ring macro 15
		091 ⇔ 095	Ring macro 16
		096 ⇔ 100	Ring macro 17
		101 ⇔ 105	Ring macro 18
		106 ⇔ 110	Ring macro 19
		111 ⇔ 115	Ring macro 20
		116 ⇔ 120	Ring macro 21
		121 ⇔ 125	Ring macro 22
		126 ⇔ 130	Ring macro 23
		131 ⇔ 135	Ring macro 24
		136 ⇔ 140	Kleur ring macro 1
		141 ⇔ 145	Kleur ring macro 2
		146 ⇔ 150	Kleur ring macro 3
		151 ⇔ 155	Kleur ring macro 4
		156 ⇔ 160	Kleur ring macro 5
		161 ⇔ 165	Kleur ring macro 6
166 ⇔ 170	Kleur ring macro 7		
171 ⇔ 175	Kleur ring macro 8		
176 ⇔ 180	Kleur ring macro 9		
181 ⇔ 185	Kleur ring macro 10		
186 ⇔ 190	Kleur ring macro 11		
191 ⇔ 195	Kleur ring macro 12		
196 ⇔ 200	Kleur ring macro 13		
201 ⇔ 205	Kleur ring macro 14		
206 ⇔ 210	Kleur ring macro 15		
211 ⇔ 215	Kleur ring macro 16		
216 ⇔ 220	Kleur ring macro 17		
221 ⇔ 225	Kleur ring macro 18		
226 ⇔ 230	Kleur ring macro 19		
231 ⇔ 235	Kleur ring macro 20		
236 ⇔ 240	Kleur ring macro 21		
241 ⇔ 245	Kleur ring macro 22		
246 ⇔ 250	Kleur ring macro 23		
251 ⇔ 255	Kleur ring macro 24		
52	Automatische snelheid	000 ⇔ 255	0–100%

Kanaal	Functie	Waarde	Percentage/instelling
53	Bewegingsmacros	000 ⇔ 007	Geen functie
		008 ⇔ 023	Bewegingsmacro 1
		024 ⇔ 039	Bewegingsmacro 2
		040 ⇔ 055	Bewegingsmacro 3
		056 ⇔ 071	Bewegingsmacro 4
		072 ⇔ 087	Bewegingsmacro 5
		088 ⇔ 103	Bewegingsmacro 6
		104 ⇔ 119	Bewegingsmacro 7
		120 ⇔ 135	Bewegingsmacro 8
		136 ⇔ 151	Bewegingsmacro 9
		152 ⇔ 167	Bewegingsmacro 10
		168 ⇔ 183	Bewegingsmacro 11
		184 ⇔ 199	Bewegingsmacro 12
		200 ⇔ 215	Bewegingsmacro 13
		216 ⇔ 231	Bewegingsmacro 14
		232 ⇔ 247	Bewegingsmacro 15
248 ⇔ 255	Bewegingsmacro 16		
54	Macrosnelheid	000 ⇔ 255	Bewegingsmacrosnelheid, snel tot langzaam
55	Zoom	000 ⇔ 255	0–100%
56	Regeling (5 seconden activeringsvertraging)	000 ⇔ 009	Geen functie
		010 ⇔ 014	Zwenk-/kantelverduistering
		015 ⇔ 049	Geen functie
		050 ⇔ 054	Zwenk-reset
		055 ⇔ 059	Kantel-reset
		060 ⇔ 064	Zoom-reset
		065 ⇔ 069	Geen functie
		070 ⇔ 074	Alles-reset
		075 ⇔ 079	Geen functie
		080 ⇔ 084	Omgekeerde zwenk- en kantelbediening
		085 ⇔ 089	Omgekeerde zwenkbediening
		090 ⇔ 094	Omgekeerde kantelbediening
		095 ⇔ 099	Normale zwenkbediening
		100 ⇔ 104	Normale kantelbediening
		105 ⇔ 109	Normale zwenk- en kantelbediening
		110 ⇔ 119	Geen functie
		120 ⇔ 124	Ventileer ECO-modus
		125 ⇔ 129	Ventilator volle snelheid
		130 ⇔ 134	Ventilator automatische snelheid
		135 ⇔ 139	Snelle dimcurve
140 ⇔ 144	Soepele dimcurve		
145 ⇔ 255	Geen functie		

54CH

Kanaal	Functie	Waarde	Percentage/instelling
1	Zwenken	000 ⇔ 255	0–100%
2	Fijn zwenken	000 ⇔ 255	Fijne controle (16-bits)
3	Kantelen	000 ⇔ 255	0–100%
4	Fijn kantelen	000 ⇔ 255	Fijne controle (16-bits)
5	Zwenk-/kantelsnelheid	000 ⇔ 255	Snel tot langzaam
6	Dimmer	000 ⇔ 255	0–100%
7	Fijne dimmer	000 ⇔ 255	Fijne controle (16-bits)

Kanaal	Functie	Waarde	Percentage/instelling
8	Stroboscoop	000 ⇔ 019	Uit
		020 ⇔ 024	Aan
		025 ⇔ 064	Stroboscoop, snel tot langzaam
		065 ⇔ 069	Aan
		070 ⇔ 084	Snel inschakelen, langzaam uitschakelen
		085 ⇔ 089	Aan
		090 ⇔ 104	Langzaam inschakelen, snel uitschakelen (snel tot langzaam)
		105 ⇔ 109	Aan
		110 ⇔ 124	Willekeurig stroboscoop, snel tot langzaam
		125 ⇔ 129	Aan
		130 ⇔ 144	Willekeurig: snel inschakelen, langzaam uitschakelen (snel tot langzaam)
		145 ⇔ 149	Aan
		150 ⇔ 164	Willekeurig: langzaam inschakelen, snel uitschakelen (snel tot langzaam)
		165 ⇔ 169	Aan
		170 ⇔ 184	Puls stroboscoop, snel tot langzaam
		184 ⇔ 189	Aan
		190 ⇔ 204	Willekeurig puls stroboscoop, snel tot langzaam
205 ⇔ 209	Aan		
210 ⇔ 224	Langzaam inschakelen, langzaam uitschakelen (snel tot langzaam)		
225 ⇔ 229	Aan		
230 ⇔ 244	Puls stroboscoop, snel tot langzaam		
245 ⇔ 255	Aan		
9	Rood 1	000 ⇔ 255	0–100%
10	Fijn rood 1	000 ⇔ 255	Fijne controle (16-bits)
11	Groen 1	000 ⇔ 255	0–100%
12	Fijn Groen 1	000 ⇔ 255	Fijne controle (16-bits)
13	Blauw 1	000 ⇔ 255	0–100%
14	Fijn Blauw 1	000 ⇔ 255	Fijne controle (16-bits)
15	Wit 1	000 ⇔ 255	0–100%
16	Fijn Wit 1	000 ⇔ 255	Fijne controle (16-bits)
17	Rood 2	000 ⇔ 255	0–100%
18	Fijn rood 2	000 ⇔ 255	Fijne controle (16-bits)
19	Groen 2	000 ⇔ 255	0–100%
20	Fijn Groen 2	000 ⇔ 255	Fijne controle (16-bits)
21	Blauw 2	000 ⇔ 255	0–100%
22	Fijn Blauw 2	000 ⇔ 255	Fijne controle (16-bits)
23	Wit 2	000 ⇔ 255	0–100%
24	Fijn Wit 2	000 ⇔ 255	Fijne controle (16-bits)
25	Rood 3	000 ⇔ 255	0–100%
26	Fijn rood 3	000 ⇔ 255	Fijne controle (16-bits)
27	Groen 3	000 ⇔ 255	0–100%
28	Fijn Groen 3	000 ⇔ 255	Fijne controle (16-bits)
29	Blauw 3	000 ⇔ 255	0–100%
30	Fijn Blauw 3	000 ⇔ 255	Fijne controle (16-bits)
31	Wit 3	000 ⇔ 255	0–100%
32	Fijn Wit 3	000 ⇔ 255	Fijne controle (16-bits)
33	Rood 4	000 ⇔ 255	0–100%
34	Fijn rood 4	000 ⇔ 255	Fijne controle (16-bits)
35	Groen 4	000 ⇔ 255	0–100%
36	Fijn Groen 4	000 ⇔ 255	Fijne controle (16-bits)
37	Blauw 4	000 ⇔ 255	0–100%
38	Fijn Blauw 4	000 ⇔ 255	Fijne controle (16-bits)
39	Wit 4	000 ⇔ 255	0–100%
40	Fijn Wit 4	000 ⇔ 255	Fijne controle (16-bits)
41	Rood 5	000 ⇔ 255	0–100%

Kanaal	Functie	Waarde	Percentage/instelling
42	Fijn rood 5	000 ⇔ 255	Fijne controle (16-bits)
43	Groen 5	000 ⇔ 255	0–100%
44	Fijn Groen 5	000 ⇔ 255	Fijne controle (16-bits)
45	Blauw 5	000 ⇔ 255	0–100%
46	Fijn Blauw 5	000 ⇔ 255	Fijne controle (16-bits)
47	Wit 5	000 ⇔ 255	0–100%
48	Fijn Wit 5	000 ⇔ 255	Fijne controle (16-bits)
49	Kleur	000 ⇔ 004	Geen functie
		005 ⇔ 009	Kleur 1
		010 ⇔ 014	Kleur 2
		015 ⇔ 019	Kleur 3
		020 ⇔ 024	Kleur 4
		025 ⇔ 029	Kleur 5
		030 ⇔ 034	Kleur 6
		035 ⇔ 039	Kleur 7
		040 ⇔ 044	Kleur 8
		045 ⇔ 049	Kleur 9
		050 ⇔ 054	Kleur 10
		055 ⇔ 059	Kleur 11
		060 ⇔ 064	Kleur 12
		065 ⇔ 069	Kleur 13
		070 ⇔ 074	Kleur 14
		075 ⇔ 079	Kleur 15
		080 ⇔ 084	Kleur 16
		085 ⇔ 089	Kleur 17
		090 ⇔ 094	Kleur 18
		095 ⇔ 099	Kleur 19
		100 ⇔ 104	Kleur 20
		105 ⇔ 109	Kleur 21
		110 ⇔ 114	Kleur 22
		115 ⇔ 119	Kleur 23
		120 ⇔ 124	Kleur 24
		125 ⇔ 129	Kleur 25
		130 ⇔ 134	Kleur 26
		135 ⇔ 139	Kleur 27
		140 ⇔ 144	Kleur 28
		145 ⇔ 149	Kleur 29
		150 ⇔ 154	Kleur 30
155 ⇔ 159	Kleur 31		
160 ⇔ 164	Kleur 32		
165 ⇔ 169	Kleur 33		
170 ⇔ 174	Kleur 34		
175 ⇔ 179	Geen functie		
180 ⇔ 201	Kleurwijziging, snel tot langzaam		
202 ⇔ 207	Houden		
208 ⇔ 229	Omgekeerde kleurwijziging, snel tot langzaam		
230 ⇔ 234	Geen functie		
235 ⇔ 249	Ogenblikkelijk kleurverandering, snel tot langzaam		
250 ⇔ 255	Geen functie		

Kanaal	Functie	Waarde	Percentage/instelling
50	Zone selectie	000 ⇔ 007	Zone 1, 2, 3, 4, 5
		008 ⇔ 015	Zone 2, 3, 4, 5
		016 ⇔ 023	Zone 3, 4, 5
		024 ⇔ 031	Zone 4, 5
		032 ⇔ 039	Zone 5
		040 ⇔ 047	Geen functie
		048 ⇔ 055	Zone 1
		056 ⇔ 063	Zone 1, 2
		064 ⇔ 071	Zone 1, 2, 3
		072 ⇔ 079	Zone 1, 2, 3, 4
		080 ⇔ 087	Zone 1, 2, 3, 4, 5
		088 ⇔ 095	Zone 1
		096 ⇔ 103	Zone 2
		104 ⇔ 111	Zone 3
		112 ⇔ 119	Zone 4
		120 ⇔ 127	Zone 5
		128 ⇔ 135	Zone 1, 2
		136 ⇔ 143	Zone 2, 3
		144 ⇔ 151	Zone 3, 4
		152 ⇔ 159	Zone 4, 5
		160 ⇔ 167	Zone 1, 5
		168 ⇔ 175	Zone 1, 2, 3
		176 ⇔ 183	Zone 2, 3, 4
		184 ⇔ 191	Zone 3, 4, 5
		192 ⇔ 199	Zone 1, 4, 5
		200 ⇔ 207	Zone 1, 2, 5
		208 ⇔ 215	Zone 1, 2, 3, 4
		216 ⇔ 223	Zone 2, 3, 4, 5
		224 ⇔ 231	Zone 1, 3, 4, 5
		232 ⇔ 239	Zone 1, 2, 4, 5
240 ⇔ 247	Zone 1, 2, 3, 5		
248 ⇔ 255	Zone 1, 2, 3, 4, 5		

Kanaal	Functie	Waarde	Percentage/instelling
51	Programmas	000 ⇔ 015	Geen functie
		016 ⇔ 020	Ring macro 1
		021 ⇔ 025	Ring macro 2
		026 ⇔ 030	Ring macro 3
		031 ⇔ 035	Ring macro 4
		036 ⇔ 040	Ring macro 5
		041 ⇔ 045	Ring macro 6
		046 ⇔ 050	Ring macro 7
		051 ⇔ 055	Ring macro 8
		056 ⇔ 060	Ring macro 9
		061 ⇔ 065	Ring macro 10
		066 ⇔ 070	Ring macro 11
		071 ⇔ 075	Ring macro 12
		076 ⇔ 080	Ring macro 13
		081 ⇔ 085	Ring macro 14
		086 ⇔ 090	Ring macro 15
		091 ⇔ 095	Ring macro 16
		096 ⇔ 100	Ring macro 17
		101 ⇔ 105	Ring macro 18
		106 ⇔ 110	Ring macro 19
		111 ⇔ 115	Ring macro 20
		116 ⇔ 120	Ring macro 21
		121 ⇔ 125	Ring macro 22
		126 ⇔ 130	Ring macro 23
		131 ⇔ 135	Ring macro 24
		136 ⇔ 140	Kleur ring macro 1
		141 ⇔ 145	Kleur ring macro 2
		146 ⇔ 150	Kleur ring macro 3
		151 ⇔ 155	Kleur ring macro 4
		156 ⇔ 160	Kleur ring macro 5
		161 ⇔ 165	Kleur ring macro 6
		166 ⇔ 170	Kleur ring macro 7
		171 ⇔ 175	Kleur ring macro 8
		176 ⇔ 180	Kleur ring macro 9
		181 ⇔ 185	Kleur ring macro 10
		186 ⇔ 190	Kleur ring macro 11
		191 ⇔ 195	Kleur ring macro 12
		196 ⇔ 200	Kleur ring macro 13
		201 ⇔ 205	Kleur ring macro 14
		206 ⇔ 210	Kleur ring macro 15
		211 ⇔ 215	Kleur ring macro 16
		216 ⇔ 220	Kleur ring macro 17
		221 ⇔ 225	Kleur ring macro 18
		226 ⇔ 230	Kleur ring macro 19
231 ⇔ 235	Kleur ring macro 20		
236 ⇔ 240	Kleur ring macro 21		
241 ⇔ 245	Kleur ring macro 22		
246 ⇔ 250	Kleur ring macro 23		
251 ⇔ 255	Kleur ring macro 24		
52	Automatische snelheid	000 ⇔ 255	0–100%
53	Zoom	000 ⇔ 255	0–100%

Kanaal	Functie	Waarde	Percentage/instelling
54	Regeling (5 seconden activeringsvertraging)	000 ⇔ 009	Geen functie
		010 ⇔ 014	Zwenk-/kantelverduistering
		015 ⇔ 049	Geen functie
		050 ⇔ 054	Zwenk-reset
		055 ⇔ 059	Kantel-reset
		060 ⇔ 064	Zoom-reset
		065 ⇔ 069	Geen functie
		070 ⇔ 074	Alles-reset
		075 ⇔ 079	Geen functie
		080 ⇔ 084	Omgekeerde zwenk- en kantelbediening
		085 ⇔ 089	Omgekeerde zwenkbediening
		090 ⇔ 094	Omgekeerde kantelbediening
		095 ⇔ 099	Normale zwenkbediening
		100 ⇔ 104	Normale kantelbediening
		105 ⇔ 109	Normale zwenk- en kantelbediening
		110 ⇔ 119	Geen functie
		120 ⇔ 124	Ventileer ECO-modus
		125 ⇔ 129	Ventilator volle snelheid
		130 ⇔ 134	Ventilator automatische snelheid
		135 ⇔ 139	Snelle dimcurve
140 ⇔ 144	Soepele dimcurve		
145 ⇔ 255	Geen functie		

54CH MS

Kanaal	Functie	Waarde	Percentage/instelling
1	Zwenken	000 ⇔ 255	0–100%
2	Fijn zwenken	000 ⇔ 255	Fijne controle (16-bits)
3	Kantelen	000 ⇔ 255	0–100%
4	Fijn kantelen	000 ⇔ 255	Fijne controle (16-bits)
5	Zwenk-/kantelsnelheid	000 ⇔ 255	Snel tot langzaam
6	Dimmer	000 ⇔ 255	0–100%
7	Fijne dimmer	000 ⇔ 255	Fijne controle (16-bits)
8	Stroboscoop	000 ⇔ 019	Uit
		020 ⇔ 024	Aan
		025 ⇔ 064	Stroboscoop, snel tot langzaam
		065 ⇔ 069	Aan
		070 ⇔ 084	Snel inschakelen, langzaam uitschakelen
		085 ⇔ 089	Aan
		090 ⇔ 104	Langzaam inschakelen, snel uitschakelen (snel tot langzaam)
		105 ⇔ 109	Aan
		110 ⇔ 124	Willekeurig stroboscoop, snel tot langzaam
		125 ⇔ 129	Aan
		130 ⇔ 144	Willekeurig: snel inschakelen, langzaam uitschakelen (snel tot langzaam)
		145 ⇔ 149	Aan
		150 ⇔ 164	Willekeurig: langzaam inschakelen, snel uitschakelen (snel tot langzaam)
		165 ⇔ 169	Aan
		170 ⇔ 184	Puls stroboscoop, snel tot langzaam
		184 ⇔ 189	Aan
		190 ⇔ 204	Willekeurig puls stroboscoop, snel tot langzaam
		205 ⇔ 209	Aan
		210 ⇔ 224	Langzaam inschakelen, langzaam uitschakelen (snel tot langzaam)
		225 ⇔ 229	Aan
230 ⇔ 244	Puls stroboscoop, snel tot langzaam		
245 ⇔ 255	Aan		

Kanaal	Functie	Waarde	Percentage/instelling
9	Kleur	000 ⇔ 004	Geen functie
		005 ⇔ 009	Kleur 1
		010 ⇔ 014	Kleur 2
		015 ⇔ 019	Kleur 3
		020 ⇔ 024	Kleur 4
		025 ⇔ 029	Kleur 5
		030 ⇔ 034	Kleur 6
		035 ⇔ 039	Kleur 7
		040 ⇔ 044	Kleur 8
		045 ⇔ 049	Kleur 9
		050 ⇔ 054	Kleur 10
		055 ⇔ 059	Kleur 11
		060 ⇔ 064	Kleur 12
		065 ⇔ 069	Kleur 13
		070 ⇔ 074	Kleur 14
		075 ⇔ 079	Kleur 15
		080 ⇔ 084	Kleur 16
		085 ⇔ 089	Kleur 17
		090 ⇔ 094	Kleur 18
		095 ⇔ 099	Kleur 19
		100 ⇔ 104	Kleur 20
		105 ⇔ 109	Kleur 21
		110 ⇔ 114	Kleur 22
		115 ⇔ 119	Kleur 23
		120 ⇔ 124	Kleur 24
		125 ⇔ 129	Kleur 25
		130 ⇔ 134	Kleur 26
		135 ⇔ 139	Kleur 27
		140 ⇔ 144	Kleur 28
		145 ⇔ 149	Kleur 29
		150 ⇔ 154	Kleur 30
		155 ⇔ 159	Kleur 31
		160 ⇔ 164	Kleur 32
		165 ⇔ 169	Kleur 33
170 ⇔ 174	Kleur 34		
175 ⇔ 179	Geen functie		
180 ⇔ 201	Kleurwijziging, snel tot langzaam		
202 ⇔ 207	Houden		
208 ⇔ 229	Omgekeerde kleurwijziging, snel tot langzaam		
230 ⇔ 234	Geen functie		
235 ⇔ 249	Ogenblikkelijk kleurverandering, snel tot langzaam		
250 ⇔ 255	Geen functie		

Kanaal	Functie	Waarde	Percentage/instelling
10	Zone selectie	000 ⇔ 007	Zone 1, 2, 3, 4, 5
		008 ⇔ 015	Zone 2, 3, 4, 5
		016 ⇔ 023	Zone 3, 4, 5
		024 ⇔ 031	Zone 4, 5
		032 ⇔ 039	Zone 5
		040 ⇔ 047	Geen functie
		048 ⇔ 055	Zone 1
		056 ⇔ 063	Zone 1, 2
		064 ⇔ 071	Zone 1, 2, 3
		072 ⇔ 079	Zone 1, 2, 3, 4
		080 ⇔ 087	Zone 1, 2, 3, 4, 5
		088 ⇔ 095	Zone 1
		096 ⇔ 103	Zone 2
		104 ⇔ 111	Zone 3
		112 ⇔ 119	Zone 4
		120 ⇔ 127	Zone 5
		128 ⇔ 135	Zone 1, 2
		136 ⇔ 143	Zone 2, 3
		144 ⇔ 151	Zone 3, 4
		152 ⇔ 159	Zone 4, 5
		160 ⇔ 167	Zone 1, 5
		168 ⇔ 175	Zone 1, 2, 3
		176 ⇔ 183	Zone 2, 3, 4
		184 ⇔ 191	Zone 3, 4, 5
		192 ⇔ 199	Zone 1, 4, 5
		200 ⇔ 207	Zone 1, 2, 5
		208 ⇔ 215	Zone 1, 2, 3, 4
		216 ⇔ 223	Zone 2, 3, 4, 5
		224 ⇔ 231	Zone 1, 3, 4, 5
		232 ⇔ 239	Zone 1, 2, 4, 5
240 ⇔ 247	Zone 1, 2, 3, 5		
248 ⇔ 255	Zone 1, 2, 3, 4, 5		

Kanaal	Functie	Waarde	Percentage/instelling
11	Programmas	000 ⇔ 015	Geen functie
		016 ⇔ 020	Ring macro 1
		021 ⇔ 025	Ring macro 2
		026 ⇔ 030	Ring macro 3
		031 ⇔ 035	Ring macro 4
		036 ⇔ 040	Ring macro 5
		041 ⇔ 045	Ring macro 6
		046 ⇔ 050	Ring macro 7
		051 ⇔ 055	Ring macro 8
		056 ⇔ 060	Ring macro 9
		061 ⇔ 065	Ring macro 10
		066 ⇔ 070	Ring macro 11
		071 ⇔ 075	Ring macro 12
		076 ⇔ 080	Ring macro 13
		081 ⇔ 085	Ring macro 14
		086 ⇔ 090	Ring macro 15
		091 ⇔ 095	Ring macro 16
		096 ⇔ 100	Ring macro 17
		101 ⇔ 105	Ring macro 18
		106 ⇔ 110	Ring macro 19
		111 ⇔ 115	Ring macro 20
		116 ⇔ 120	Ring macro 21
		121 ⇔ 125	Ring macro 22
		126 ⇔ 130	Ring macro 23
		131 ⇔ 135	Ring macro 24
		136 ⇔ 140	Kleur ring macro 1
		141 ⇔ 145	Kleur ring macro 2
		146 ⇔ 150	Kleur ring macro 3
		151 ⇔ 155	Kleur ring macro 4
		156 ⇔ 160	Kleur ring macro 5
		161 ⇔ 165	Kleur ring macro 6
		166 ⇔ 170	Kleur ring macro 7
		171 ⇔ 175	Kleur ring macro 8
		176 ⇔ 180	Kleur ring macro 9
		181 ⇔ 185	Kleur ring macro 10
		186 ⇔ 190	Kleur ring macro 11
		191 ⇔ 195	Kleur ring macro 12
		196 ⇔ 200	Kleur ring macro 13
		201 ⇔ 205	Kleur ring macro 14
		206 ⇔ 210	Kleur ring macro 15
211 ⇔ 215	Kleur ring macro 16		
216 ⇔ 220	Kleur ring macro 17		
221 ⇔ 225	Kleur ring macro 18		
226 ⇔ 230	Kleur ring macro 19		
231 ⇔ 235	Kleur ring macro 20		
236 ⇔ 240	Kleur ring macro 21		
241 ⇔ 245	Kleur ring macro 22		
246 ⇔ 250	Kleur ring macro 23		
251 ⇔ 255	Kleur ring macro 24		
12	Automatische snelheid	000 ⇔ 255	0–100%
13	Zoom	000 ⇔ 255	0–100%

Kanaal	Functie	Waarde	Percentage/instelling
14	Regeling (5 seconden activeringsvertraging)	000 ⇔ 009	Geen functie
		010 ⇔ 014	Zwenk-/kantelverduistering
		015 ⇔ 049	Geen functie
		050 ⇔ 054	Zwenk-reset
		055 ⇔ 059	Kantel-reset
		060 ⇔ 064	Zoom-reset
		065 ⇔ 069	Geen functie
		070 ⇔ 074	Alles-reset
		075 ⇔ 079	Geen functie
		080 ⇔ 084	Omgekeerde zwenk- en kantelbediening
		085 ⇔ 089	Omgekeerde zwenkbediening
		090 ⇔ 094	Omgekeerde kantelbediening
		095 ⇔ 099	Normale zwenkbediening
		100 ⇔ 104	Normale kantelbediening
		105 ⇔ 109	Normale zwenk- en kantelbediening
		110 ⇔ 119	Geen functie
		120 ⇔ 124	Ventileer ECO-modus
125 ⇔ 129	Ventilator volle snelheid		
130 ⇔ 134	Ventilator automatische snelheid		
135 ⇔ 139	Snelle dimcurve		
140 ⇔ 144	Soepele dimcurve		
145 ⇔ 255	Geen functie		
15	Rood 1	000 ⇔ 255	0–100%
16	Fijn rood 1	000 ⇔ 255	Fijne controle (16-bits)
17	Groen 1	000 ⇔ 255	0–100%
18	Fijn Groen 1	000 ⇔ 255	Fijne controle (16-bits)
19	Blauw 1	000 ⇔ 255	0–100%
20	Fijn Blauw 1	000 ⇔ 255	Fijne controle (16-bits)
21	Wit 1	000 ⇔ 255	0–100%
22	Fijn Wit 1	000 ⇔ 255	Fijne controle (16-bits)
23	Rood 2	000 ⇔ 255	0–100%
24	Fijn rood 2	000 ⇔ 255	Fijne controle (16-bits)
25	Groen 2	000 ⇔ 255	0–100%
26	Fijn Groen 2	000 ⇔ 255	Fijne controle (16-bits)
27	Blauw 2	000 ⇔ 255	0–100%
28	Fijn Blauw 2	000 ⇔ 255	Fijne controle (16-bits)
29	Wit 2	000 ⇔ 255	0–100%
30	Fijn Wit 2	000 ⇔ 255	Fijne controle (16-bits)
31	Rood 3	000 ⇔ 255	0–100%
32	Fijn rood 3	000 ⇔ 255	Fijne controle (16-bits)
33	Groen 3	000 ⇔ 255	0–100%
34	Fijn Groen 3	000 ⇔ 255	Fijne controle (16-bits)
35	Blauw 3	000 ⇔ 255	0–100%
36	Fijn Blauw 3	000 ⇔ 255	Fijne controle (16-bits)
37	Wit 3	000 ⇔ 255	0–100%
38	Fijn Wit 3	000 ⇔ 255	Fijne controle (16-bits)
39	Rood 4	000 ⇔ 255	0–100%
40	Fijn rood 4	000 ⇔ 255	Fijne controle (16-bits)
41	Groen 4	000 ⇔ 255	0–100%
42	Fijn Groen 4	000 ⇔ 255	Fijne controle (16-bits)
43	Blauw 4	000 ⇔ 255	0–100%
44	Fijn Blauw 4	000 ⇔ 255	Fijne controle (16-bits)
45	Wit 4	000 ⇔ 255	0–100%
46	Fijn Wit 4	000 ⇔ 255	Fijne controle (16-bits)
47	Rood 5	000 ⇔ 255	0–100%

NL

Kanaal	Functie	Waarde	Percentage/instelling
48	Fijn rood 5	000 ⇔ 255	Fijne controle (16-bits)
49	Groen 5	000 ⇔ 255	0–100%
50	Fijn Groen 5	000 ⇔ 255	Fijne controle (16-bits)
51	Blaauw 5	000 ⇔ 255	0–100%
52	Fijn Blaauw 5	000 ⇔ 255	Fijne controle (16-bits)
53	Wit 5	000 ⇔ 255	0–100%
54	Fijn Wit 5	000 ⇔ 255	Fijne controle (16-bits)

33CH

Kanaal	Functie	Waarde	Percentage/instelling
1	Zwenken	000 ⇔ 255	0–100%
2	Fijn zwenken	000 ⇔ 255	Fijne controle (16-bits)
3	Kantelen	000 ⇔ 255	0–100%
4	Fijn kantelen	000 ⇔ 255	Fijne controle (16-bits)
5	Zwenk-/kantelsnelheid	000 ⇔ 255	Snel tot langzaam
6	Dimmer	000 ⇔ 255	0–100%
7	Stroboscoop	000 ⇔ 019	Uit
		020 ⇔ 024	Aan
		025 ⇔ 064	Stroboscoop, snel tot langzaam
		065 ⇔ 069	Aan
		070 ⇔ 084	Snel inschakelen, langzaam uitschakelen
		085 ⇔ 089	Aan
		090 ⇔ 104	Langzaam inschakelen, snel uitschakelen (snel tot langzaam)
		105 ⇔ 109	Aan
		110 ⇔ 124	Willekeurig stroboscoop, snel tot langzaam
		125 ⇔ 129	Aan
		130 ⇔ 144	Willekeurig: snel inschakelen, langzaam uitschakelen (snel tot langzaam)
		145 ⇔ 149	Aan
		150 ⇔ 164	Willekeurig: langzaam inschakelen, snel uitschakelen (snel tot langzaam)
		165 ⇔ 169	Aan
		170 ⇔ 184	Puls stroboscoop, snel tot langzaam
		184 ⇔ 189	Aan
		190 ⇔ 204	Willekeurig puls stroboscoop, snel tot langzaam
205 ⇔ 209	Aan		
210 ⇔ 224	Langzaam inschakelen, langzaam uitschakelen (snel tot langzaam)		
225 ⇔ 229	Aan		
230 ⇔ 244	Puls stroboscoop, snel tot langzaam		
245 ⇔ 255	Aan		
8	Rood 1	000 ⇔ 255	0–100%
9	Groen 1	000 ⇔ 255	0–100%
10	Blaauw 1	000 ⇔ 255	0–100%
11	Wit 1	000 ⇔ 255	0–100%
12	Rood 2	000 ⇔ 255	0–100%
13	Groen 2	000 ⇔ 255	0–100%
14	Blaauw 2	000 ⇔ 255	0–100%
15	Wit 2	000 ⇔ 255	0–100%
16	Rood 3	000 ⇔ 255	0–100%
17	Groen 3	000 ⇔ 255	0–100%
18	Blaauw 3	000 ⇔ 255	0–100%
19	Wit 3	000 ⇔ 255	0–100%
20	Rood 4	000 ⇔ 255	0–100%
21	Groen 4	000 ⇔ 255	0–100%
22	Blaauw 4	000 ⇔ 255	0–100%
23	Wit 4	000 ⇔ 255	0–100%
24	Rood 5	000 ⇔ 255	0–100%

Kanaal	Functie	Waarde	Percentage/instelling
25	Groen 5	000 ⇔ 255	0–100%
26	Blauw 5	000 ⇔ 255	0–100%
27	Wit 5	000 ⇔ 255	0–100%
28	Kleur	000 ⇔ 004	Geen functie
		005 ⇔ 009	Kleur 1
		010 ⇔ 014	Kleur 2
		015 ⇔ 019	Kleur 3
		020 ⇔ 024	Kleur 4
		025 ⇔ 029	Kleur 5
		030 ⇔ 034	Kleur 6
		035 ⇔ 039	Kleur 7
		040 ⇔ 044	Kleur 8
		045 ⇔ 049	Kleur 9
		050 ⇔ 054	Kleur 10
		055 ⇔ 059	Kleur 11
		060 ⇔ 064	Kleur 12
		065 ⇔ 069	Kleur 13
		070 ⇔ 074	Kleur 14
		075 ⇔ 079	Kleur 15
		080 ⇔ 084	Kleur 16
		085 ⇔ 089	Kleur 17
		090 ⇔ 094	Kleur 18
		095 ⇔ 099	Kleur 19
		100 ⇔ 104	Kleur 20
		105 ⇔ 109	Kleur 21
		110 ⇔ 114	Kleur 22
		115 ⇔ 119	Kleur 23
		120 ⇔ 124	Kleur 24
		125 ⇔ 129	Kleur 25
		130 ⇔ 134	Kleur 26
		135 ⇔ 139	Kleur 27
		140 ⇔ 144	Kleur 28
		145 ⇔ 149	Kleur 29
150 ⇔ 154	Kleur 30		
155 ⇔ 159	Kleur 31		
160 ⇔ 164	Kleur 32		
165 ⇔ 169	Kleur 33		
170 ⇔ 174	Kleur 34		
175 ⇔ 179	Geen functie		
180 ⇔ 201	Kleurwijziging, snel tot langzaam		
202 ⇔ 207	Houden		
208 ⇔ 229	Omgekeerde kleurwijziging, snel tot langzaam		
230 ⇔ 234	Geen functie		
235 ⇔ 249	Ogenblikkelijk kleurverandering, snel tot langzaam		
250 ⇔ 255	Geen functie		

Kanaal	Functie	Waarde	Percentage/instelling
29	Zone selectie	000 ⇔ 007	Zone 1, 2, 3, 4, 5
		008 ⇔ 015	Zone 2, 3, 4, 5
		016 ⇔ 023	Zone 3, 4, 5
		024 ⇔ 031	Zone 4, 5
		032 ⇔ 039	Zone 5
		040 ⇔ 047	Geen functie
		048 ⇔ 055	Zone 1
		056 ⇔ 063	Zone 1, 2
		064 ⇔ 071	Zone 1, 2, 3
		072 ⇔ 079	Zone 1, 2, 3, 4
		080 ⇔ 087	Zone 1, 2, 3, 4, 5
		088 ⇔ 095	Zone 1
		096 ⇔ 103	Zone 2
		104 ⇔ 111	Zone 3
		112 ⇔ 119	Zone 4
		120 ⇔ 127	Zone 5
		128 ⇔ 135	Zone 1, 2
		136 ⇔ 143	Zone 2, 3
		144 ⇔ 151	Zone 3, 4
		152 ⇔ 159	Zone 4, 5
		160 ⇔ 167	Zone 1, 5
		168 ⇔ 175	Zone 1, 2, 3
		176 ⇔ 183	Zone 2, 3, 4
		184 ⇔ 191	Zone 3, 4, 5
		192 ⇔ 199	Zone 1, 4, 5
		200 ⇔ 207	Zone 1, 2, 5
		208 ⇔ 215	Zone 1, 2, 3, 4
		216 ⇔ 223	Zone 2, 3, 4, 5
		224 ⇔ 231	Zone 1, 3, 4, 5
		232 ⇔ 239	Zone 1, 2, 4, 5
		240 ⇔ 247	Zone 1, 2, 3, 5
		248 ⇔ 255	Zone 1, 2, 3, 4, 5

Kanaal	Functie	Waarde	Percentage/instelling
30	Programmas	000 ⇔ 015	Geen functie
		016 ⇔ 020	Ring macro 1
		021 ⇔ 025	Ring macro 2
		026 ⇔ 030	Ring macro 3
		031 ⇔ 035	Ring macro 4
		036 ⇔ 040	Ring macro 5
		041 ⇔ 045	Ring macro 6
		046 ⇔ 050	Ring macro 7
		051 ⇔ 055	Ring macro 8
		056 ⇔ 060	Ring macro 9
		061 ⇔ 065	Ring macro 10
		066 ⇔ 070	Ring macro 11
		071 ⇔ 075	Ring macro 12
		076 ⇔ 080	Ring macro 13
		081 ⇔ 085	Ring macro 14
		086 ⇔ 090	Ring macro 15
		091 ⇔ 095	Ring macro 16
		096 ⇔ 100	Ring macro 17
		101 ⇔ 105	Ring macro 18
		106 ⇔ 110	Ring macro 19
		111 ⇔ 115	Ring macro 20
		116 ⇔ 120	Ring macro 21
		121 ⇔ 125	Ring macro 22
		126 ⇔ 130	Ring macro 23
		131 ⇔ 135	Ring macro 24
		136 ⇔ 140	Kleur ring macro 1
		141 ⇔ 145	Kleur ring macro 2
		146 ⇔ 150	Kleur ring macro 3
		151 ⇔ 155	Kleur ring macro 4
		156 ⇔ 160	Kleur ring macro 5
161 ⇔ 165	Kleur ring macro 6		
166 ⇔ 170	Kleur ring macro 7		
171 ⇔ 175	Kleur ring macro 8		
176 ⇔ 180	Kleur ring macro 9		
181 ⇔ 185	Kleur ring macro 10		
186 ⇔ 190	Kleur ring macro 11		
191 ⇔ 195	Kleur ring macro 12		
196 ⇔ 200	Kleur ring macro 13		
201 ⇔ 205	Kleur ring macro 14		
206 ⇔ 210	Kleur ring macro 15		
211 ⇔ 215	Kleur ring macro 16		
216 ⇔ 220	Kleur ring macro 17		
221 ⇔ 225	Kleur ring macro 18		
226 ⇔ 230	Kleur ring macro 19		
231 ⇔ 235	Kleur ring macro 20		
236 ⇔ 240	Kleur ring macro 21		
241 ⇔ 245	Kleur ring macro 22		
246 ⇔ 250	Kleur ring macro 23		
251 ⇔ 255	Kleur ring macro 24		
31	Automatische snelheid	000 ⇔ 255	0–100%
32	Zoom	000 ⇔ 255	0–100%

Kanaal	Functie	Waarde	Percentage/instelling
33	Regeling (5 seconden activeringsvertraging)	000 ⇔ 009	Geen functie
		010 ⇔ 014	Zwenk-/kantelverduistering
		015 ⇔ 049	Geen functie
		050 ⇔ 054	Zwenk-reset
		055 ⇔ 059	Kantel-reset
		060 ⇔ 064	Zoom-reset
		065 ⇔ 069	Geen functie
		070 ⇔ 074	Alles-reset
		075 ⇔ 079	Geen functie
		080 ⇔ 084	Omgekeerde zwenk- en kantelbediening
		085 ⇔ 089	Omgekeerde zwenkbediening
		090 ⇔ 094	Omgekeerde kantelbediening
		095 ⇔ 099	Normale zwenkbediening
		100 ⇔ 104	Normale kantelbediening
		105 ⇔ 109	Normale zwenk- en kantelbediening
		110 ⇔ 119	Geen functie
		120 ⇔ 124	Ventileer ECO-modus
		125 ⇔ 129	Ventilator volle snelheid
		130 ⇔ 134	Ventilator automatische snelheid
		135 ⇔ 139	Snelle dimcurve
140 ⇔ 144	Soepele dimcurve		
145 ⇔ 255	Geen functie		

33CH MS

Kanaal	Functie	Waarde	Percentage/instelling
1	Zwenken	000 ⇔ 255	0–100%
2	Fijn zwenken	000 ⇔ 255	Fijne controle (16-bits)
3	Kantelen	000 ⇔ 255	0–100%
4	Fijn kantelen	000 ⇔ 255	Fijne controle (16-bits)
5	Zwenk-/kantelsnelheid	000 ⇔ 255	Snel tot langzaam
6	Dimmer	000 ⇔ 255	0–100%
7	Stroboscoop	000 ⇔ 019	Uit
		020 ⇔ 024	Aan
		025 ⇔ 064	Stroboscoop, snel tot langzaam
		065 ⇔ 069	Aan
		070 ⇔ 084	Snel inschakelen, langzaam uitschakelen
		085 ⇔ 089	Aan
		090 ⇔ 104	Langzaam inschakelen, snel uitschakelen (snel tot langzaam)
		105 ⇔ 109	Aan
		110 ⇔ 124	Willekeurig stroboscoop, snel tot langzaam
		125 ⇔ 129	Aan
		130 ⇔ 144	Willekeurig: snel inschakelen, langzaam uitschakelen (snel tot langzaam)
		145 ⇔ 149	Aan
		150 ⇔ 164	Willekeurig: langzaam inschakelen, snel uitschakelen (snel tot langzaam)
		165 ⇔ 169	Aan
		170 ⇔ 184	Puls stroboscoop, snel tot langzaam
		184 ⇔ 189	Aan
		190 ⇔ 204	Willekeurig puls stroboscoop, snel tot langzaam
		205 ⇔ 209	Aan
		210 ⇔ 224	Langzaam inschakelen, langzaam uitschakelen (snel tot langzaam)
		225 ⇔ 229	Aan
230 ⇔ 244	Puls stroboscoop, snel tot langzaam		
245 ⇔ 255	Aan		

Kanaal	Functie	Waarde	Percentage/instelling
8	Kleur	000 ⇔ 004	Geen functie
		005 ⇔ 009	Kleur 1
		010 ⇔ 014	Kleur 2
		015 ⇔ 019	Kleur 3
		020 ⇔ 024	Kleur 4
		025 ⇔ 029	Kleur 5
		030 ⇔ 034	Kleur 6
		035 ⇔ 039	Kleur 7
		040 ⇔ 044	Kleur 8
		045 ⇔ 049	Kleur 9
		050 ⇔ 054	Kleur 10
		055 ⇔ 059	Kleur 11
		060 ⇔ 064	Kleur 12
		065 ⇔ 069	Kleur 13
		070 ⇔ 074	Kleur 14
		075 ⇔ 079	Kleur 15
		080 ⇔ 084	Kleur 16
		085 ⇔ 089	Kleur 17
		090 ⇔ 094	Kleur 18
		095 ⇔ 099	Kleur 19
		100 ⇔ 104	Kleur 20
		105 ⇔ 109	Kleur 21
		110 ⇔ 114	Kleur 22
		115 ⇔ 119	Kleur 23
		120 ⇔ 124	Kleur 24
		125 ⇔ 129	Kleur 25
		130 ⇔ 134	Kleur 26
		135 ⇔ 139	Kleur 27
		140 ⇔ 144	Kleur 28
		145 ⇔ 149	Kleur 29
		150 ⇔ 154	Kleur 30
		155 ⇔ 159	Kleur 31
		160 ⇔ 164	Kleur 32
		165 ⇔ 169	Kleur 33
170 ⇔ 174	Kleur 34		
175 ⇔ 179	Geen functie		
180 ⇔ 201	Kleurwijziging, snel tot langzaam		
202 ⇔ 207	Houden		
208 ⇔ 229	Omgekeerde kleurwijziging, snel tot langzaam		
230 ⇔ 234	Geen functie		
235 ⇔ 249	Ogenblikkelijk kleurverandering, snel tot langzaam		
250 ⇔ 255	Geen functie		

Kanaal	Functie	Waarde	Percentage/instelling
9	Zone selectie	000 ⇔ 007	Zone 1, 2, 3, 4, 5
		008 ⇔ 015	Zone 2, 3, 4, 5
		016 ⇔ 023	Zone 3, 4, 5
		024 ⇔ 031	Zone 4, 5
		032 ⇔ 039	Zone 5
		040 ⇔ 047	Geen functie
		048 ⇔ 055	Zone 1
		056 ⇔ 063	Zone 1, 2
		064 ⇔ 071	Zone 1, 2, 3
		072 ⇔ 079	Zone 1, 2, 3, 4
		080 ⇔ 087	Zone 1, 2, 3, 4, 5
		088 ⇔ 095	Zone 1
		096 ⇔ 103	Zone 2
		104 ⇔ 111	Zone 3
		112 ⇔ 119	Zone 4
		120 ⇔ 127	Zone 5
		128 ⇔ 135	Zone 1, 2
		136 ⇔ 143	Zone 2, 3
		144 ⇔ 151	Zone 3, 4
		152 ⇔ 159	Zone 4, 5
		160 ⇔ 167	Zone 1, 5
		168 ⇔ 175	Zone 1, 2, 3
		176 ⇔ 183	Zone 2, 3, 4
		184 ⇔ 191	Zone 3, 4, 5
		192 ⇔ 199	Zone 1, 4, 5
		200 ⇔ 207	Zone 1, 2, 5
		208 ⇔ 215	Zone 1, 2, 3, 4
		216 ⇔ 223	Zone 2, 3, 4, 5
		224 ⇔ 231	Zone 1, 3, 4, 5
		232 ⇔ 239	Zone 1, 2, 4, 5
		240 ⇔ 247	Zone 1, 2, 3, 5
		248 ⇔ 255	Zone 1, 2, 3, 4, 5

Kanaal	Functie	Waarde	Percentage/instelling
10	Programmas	000 ⇔ 015	Geen functie
		016 ⇔ 020	Ring macro 1
		021 ⇔ 025	Ring macro 2
		026 ⇔ 030	Ring macro 3
		031 ⇔ 035	Ring macro 4
		036 ⇔ 040	Ring macro 5
		041 ⇔ 045	Ring macro 6
		046 ⇔ 050	Ring macro 7
		051 ⇔ 055	Ring macro 8
		056 ⇔ 060	Ring macro 9
		061 ⇔ 065	Ring macro 10
		066 ⇔ 070	Ring macro 11
		071 ⇔ 075	Ring macro 12
		076 ⇔ 080	Ring macro 13
		081 ⇔ 085	Ring macro 14
		086 ⇔ 090	Ring macro 15
		091 ⇔ 095	Ring macro 16
		096 ⇔ 100	Ring macro 17
		101 ⇔ 105	Ring macro 18
		106 ⇔ 110	Ring macro 19
		111 ⇔ 115	Ring macro 20
		116 ⇔ 120	Ring macro 21
		121 ⇔ 125	Ring macro 22
		126 ⇔ 130	Ring macro 23
		131 ⇔ 135	Ring macro 24
		136 ⇔ 140	Kleur ring macro 1
		141 ⇔ 145	Kleur ring macro 2
		146 ⇔ 150	Kleur ring macro 3
		151 ⇔ 155	Kleur ring macro 4
		156 ⇔ 160	Kleur ring macro 5
		161 ⇔ 165	Kleur ring macro 6
		166 ⇔ 170	Kleur ring macro 7
171 ⇔ 175	Kleur ring macro 8		
176 ⇔ 180	Kleur ring macro 9		
181 ⇔ 185	Kleur ring macro 10		
186 ⇔ 190	Kleur ring macro 11		
191 ⇔ 195	Kleur ring macro 12		
196 ⇔ 200	Kleur ring macro 13		
201 ⇔ 205	Kleur ring macro 14		
206 ⇔ 210	Kleur ring macro 15		
211 ⇔ 215	Kleur ring macro 16		
216 ⇔ 220	Kleur ring macro 17		
221 ⇔ 225	Kleur ring macro 18		
226 ⇔ 230	Kleur ring macro 19		
231 ⇔ 235	Kleur ring macro 20		
236 ⇔ 240	Kleur ring macro 21		
241 ⇔ 245	Kleur ring macro 22		
246 ⇔ 250	Kleur ring macro 23		
251 ⇔ 255	Kleur ring macro 24		
11	Automatische snelheid	000 ⇔ 255	0–100%
12	Zoom	000 ⇔ 255	0–100%

Kanaal	Functie	Waarde	Percentage/instelling
13	Regeling (5 seconden activeringsvertraging)	000 ⇔ 009	Geen functie
		010 ⇔ 014	Zwenk-/kantelverduistering
		015 ⇔ 049	Geen functie
		050 ⇔ 054	Zwenk-reset
		055 ⇔ 059	Kantel-reset
		060 ⇔ 064	Zoom-reset
		065 ⇔ 069	Geen functie
		070 ⇔ 074	Alles-reset
		075 ⇔ 079	Geen functie
		080 ⇔ 084	Omgekeerde zwenk- en kantelbediening
		085 ⇔ 089	Omgekeerde zwenkbediening
		090 ⇔ 094	Omgekeerde kantelbediening
		095 ⇔ 099	Normale zwenkbediening
		100 ⇔ 104	Normale kantelbediening
		105 ⇔ 109	Normale zwenk- en kantelbediening
		110 ⇔ 119	Geen functie
		120 ⇔ 124	Ventileer ECO-modus
		125 ⇔ 129	Ventilator volle snelheid
		130 ⇔ 134	Ventilator automatische snelheid
		135 ⇔ 139	Snelle dimcurve
140 ⇔ 144	Soepele dimcurve		
145 ⇔ 255	Geen functie		
14	Rood 1	000 ⇔ 255	0–100%
15	Groen 1	000 ⇔ 255	0–100%
16	Blaauw 1	000 ⇔ 255	0–100%
17	Wit 1	000 ⇔ 255	0–100%
18	Rood 2	000 ⇔ 255	0–100%
19	Groen 2	000 ⇔ 255	0–100%
20	Blaauw 2	000 ⇔ 255	0–100%
21	Wit 2	000 ⇔ 255	0–100%
22	Rood 3	000 ⇔ 255	0–100%
23	Groen 3	000 ⇔ 255	0–100%
24	Blaauw 3	000 ⇔ 255	0–100%
25	Wit 3	000 ⇔ 255	0–100%
26	Rood 4	000 ⇔ 255	0–100%
27	Groen 4	000 ⇔ 255	0–100%
28	Blaauw 4	000 ⇔ 255	0–100%
29	Wit 4	000 ⇔ 255	0–100%
30	Rood 5	000 ⇔ 255	0–100%
31	Groen 5	000 ⇔ 255	0–100%
32	Blaauw 5	000 ⇔ 255	0–100%
33	Wit 5	000 ⇔ 255	0–100%

22CH

Kanaal	Functie	Waarde	Percentage/instelling
1	Zwenken	000 ⇔ 255	0–100%
2	Fijn zwenken	000 ⇔ 255	Fijne controle (16-bits)
3	Kantelen	000 ⇔ 255	0–100%
4	Fijn kantelen	000 ⇔ 255	Fijne controle (16-bits)
5	Zwenk-/kantelsnelheid	000 ⇔ 255	Snel tot langzaam
6	Dimmer	000 ⇔ 255	0–100%
7	Fijne dimmer	000 ⇔ 255	Fijne controle (16-bits)

Kanaal	Functie	Waarde	Percentage/instelling
8	Stroboscoop	000 ⇔ 019	Uit
		020 ⇔ 024	Aan
		025 ⇔ 064	Stroboscoop, snel tot langzaam
		065 ⇔ 069	Aan
		070 ⇔ 084	Snel inschakelen, langzaam uitschakelen
		085 ⇔ 089	Aan
		090 ⇔ 104	Langzaam inschakelen, snel uitschakelen (snel tot langzaam)
		105 ⇔ 109	Aan
		110 ⇔ 124	Willekeurig stroboscoop, snel tot langzaam
		125 ⇔ 129	Aan
		130 ⇔ 144	Willekeurig: snel inschakelen, langzaam uitschakelen (snel tot langzaam)
		145 ⇔ 149	Aan
		150 ⇔ 164	Willekeurig: langzaam inschakelen, snel uitschakelen (snel tot langzaam)
		165 ⇔ 169	Aan
		170 ⇔ 184	Puls stroboscoop, snel tot langzaam
		184 ⇔ 189	Aan
		190 ⇔ 204	Willekeurig puls stroboscoop, snel tot langzaam
205 ⇔ 209	Aan		
210 ⇔ 224	Langzaam inschakelen, langzaam uitschakelen (snel tot langzaam)		
225 ⇔ 229	Aan		
230 ⇔ 244	Puls stroboscoop, snel tot langzaam		
245 ⇔ 255	Aan		
9	Rood	000 ⇔ 255	0–100%
10	Fijn rood	000 ⇔ 255	Fijne controle (16-bits)
11	Groen	000 ⇔ 255	0–100%
12	Fijn Groen	000 ⇔ 255	Fijne controle (16-bits)
13	Blauw	000 ⇔ 255	0–100%
14	Fijn Blauw	000 ⇔ 255	Fijne controle (16-bits)
15	Wit	000 ⇔ 255	0–100%
16	Fijn Wit	000 ⇔ 255	Fijne controle (16-bits)

Kanaal	Functie	Waarde	Percentage/instelling
17	Kleur	000 ⇔ 004	Geen functie
		005 ⇔ 009	Kleur 1
		010 ⇔ 014	Kleur 2
		015 ⇔ 019	Kleur 3
		020 ⇔ 024	Kleur 4
		025 ⇔ 029	Kleur 5
		030 ⇔ 034	Kleur 6
		035 ⇔ 039	Kleur 7
		040 ⇔ 044	Kleur 8
		045 ⇔ 049	Kleur 9
		050 ⇔ 054	Kleur 10
		055 ⇔ 059	Kleur 11
		060 ⇔ 064	Kleur 12
		065 ⇔ 069	Kleur 13
		070 ⇔ 074	Kleur 14
		075 ⇔ 079	Kleur 15
		080 ⇔ 084	Kleur 16
		085 ⇔ 089	Kleur 17
		090 ⇔ 094	Kleur 18
		095 ⇔ 099	Kleur 19
		100 ⇔ 104	Kleur 20
		105 ⇔ 109	Kleur 21
		110 ⇔ 114	Kleur 22
		115 ⇔ 119	Kleur 23
		120 ⇔ 124	Kleur 24
		125 ⇔ 129	Kleur 25
		130 ⇔ 134	Kleur 26
		135 ⇔ 139	Kleur 27
		140 ⇔ 144	Kleur 28
		145 ⇔ 149	Kleur 29
		150 ⇔ 154	Kleur 30
		155 ⇔ 159	Kleur 31
		160 ⇔ 164	Kleur 32
		165 ⇔ 169	Kleur 33
170 ⇔ 174	Kleur 34		
175 ⇔ 179	Geen functie		
180 ⇔ 201	Kleurwijziging, snel tot langzaam		
202 ⇔ 207	Houden		
208 ⇔ 229	Omgekeerde kleurwijziging, snel tot langzaam		
230 ⇔ 234	Geen functie		
235 ⇔ 249	Ogenblikkelijk kleurverandering, snel tot langzaam		
250 ⇔ 255	Geen functie		

Kanaal	Functie	Waarde	Percentage/instelling
18	Zone selectie	000 ⇔ 007	Zone 1, 2, 3, 4, 5
		008 ⇔ 015	Zone 2, 3, 4, 5
		016 ⇔ 023	Zone 3, 4, 5
		024 ⇔ 031	Zone 4, 5
		032 ⇔ 039	Zone 5
		040 ⇔ 047	Geen functie
		048 ⇔ 055	Zone 1
		056 ⇔ 063	Zone 1, 2
		064 ⇔ 071	Zone 1, 2, 3
		072 ⇔ 079	Zone 1, 2, 3, 4
		080 ⇔ 087	Zone 1, 2, 3, 4, 5
		088 ⇔ 095	Zone 1
		096 ⇔ 103	Zone 2
		104 ⇔ 111	Zone 3
		112 ⇔ 119	Zone 4
		120 ⇔ 127	Zone 5
		128 ⇔ 135	Zone 1, 2
		136 ⇔ 143	Zone 2, 3
		144 ⇔ 151	Zone 3, 4
		152 ⇔ 159	Zone 4, 5
		160 ⇔ 167	Zone 1, 5
		168 ⇔ 175	Zone 1, 2, 3
		176 ⇔ 183	Zone 2, 3, 4
		184 ⇔ 191	Zone 3, 4, 5
		192 ⇔ 199	Zone 1, 4, 5
		200 ⇔ 207	Zone 1, 2, 5
		208 ⇔ 215	Zone 1, 2, 3, 4
		216 ⇔ 223	Zone 2, 3, 4, 5
		224 ⇔ 231	Zone 1, 3, 4, 5
		232 ⇔ 239	Zone 1, 2, 4, 5
240 ⇔ 247	Zone 1, 2, 3, 5		
248 ⇔ 255	Zone 1, 2, 3, 4, 5		

Kanaal	Functie	Waarde	Percentage/instelling
19	Programmas	000 ⇔ 015	Geen functie
		016 ⇔ 020	Ring macro 1
		021 ⇔ 025	Ring macro 2
		026 ⇔ 030	Ring macro 3
		031 ⇔ 035	Ring macro 4
		036 ⇔ 040	Ring macro 5
		041 ⇔ 045	Ring macro 6
		046 ⇔ 050	Ring macro 7
		051 ⇔ 055	Ring macro 8
		056 ⇔ 060	Ring macro 9
		061 ⇔ 065	Ring macro 10
		066 ⇔ 070	Ring macro 11
		071 ⇔ 075	Ring macro 12
		076 ⇔ 080	Ring macro 13
		081 ⇔ 085	Ring macro 14
		086 ⇔ 090	Ring macro 15
		091 ⇔ 095	Ring macro 16
		096 ⇔ 100	Ring macro 17
		101 ⇔ 105	Ring macro 18
		106 ⇔ 110	Ring macro 19
		111 ⇔ 115	Ring macro 20
		116 ⇔ 120	Ring macro 21
		121 ⇔ 125	Ring macro 22
		126 ⇔ 130	Ring macro 23
		131 ⇔ 135	Ring macro 24
		136 ⇔ 140	Kleur ring macro 1
		141 ⇔ 145	Kleur ring macro 2
		146 ⇔ 150	Kleur ring macro 3
		151 ⇔ 155	Kleur ring macro 4
		156 ⇔ 160	Kleur ring macro 5
		161 ⇔ 165	Kleur ring macro 6
		166 ⇔ 170	Kleur ring macro 7
		171 ⇔ 175	Kleur ring macro 8
		176 ⇔ 180	Kleur ring macro 9
		181 ⇔ 185	Kleur ring macro 10
		186 ⇔ 190	Kleur ring macro 11
		191 ⇔ 195	Kleur ring macro 12
		196 ⇔ 200	Kleur ring macro 13
		201 ⇔ 205	Kleur ring macro 14
		206 ⇔ 210	Kleur ring macro 15
211 ⇔ 215	Kleur ring macro 16		
216 ⇔ 220	Kleur ring macro 17		
221 ⇔ 225	Kleur ring macro 18		
226 ⇔ 230	Kleur ring macro 19		
231 ⇔ 235	Kleur ring macro 20		
236 ⇔ 240	Kleur ring macro 21		
241 ⇔ 245	Kleur ring macro 22		
246 ⇔ 250	Kleur ring macro 23		
251 ⇔ 255	Kleur ring macro 24		
20	Automatische snelheid	000 ⇔ 255	0–100%
21	Zoom	000 ⇔ 255	0–100%

Kanaal	Functie	Waarde	Percentage/instelling
22	Regeling (5 seconden activeringsvertraging)	000 ⇔ 009	Geen functie
		010 ⇔ 014	Zwenk-/kantelverduistering
		015 ⇔ 049	Geen functie
		050 ⇔ 054	Zwenk-reset
		055 ⇔ 059	Kantel-reset
		060 ⇔ 064	Zoom-reset
		065 ⇔ 069	Geen functie
		070 ⇔ 074	Alles-reset
		075 ⇔ 079	Geen functie
		080 ⇔ 084	Omgekeerde zwenk- en kantelbediening
		085 ⇔ 089	Omgekeerde zwenkbediening
		090 ⇔ 094	Omgekeerde kantelbediening
		095 ⇔ 099	Normale zwenkbediening
		100 ⇔ 104	Normale kantelbediening
		105 ⇔ 109	Normale zwenk- en kantelbediening
		110 ⇔ 119	Geen functie
		120 ⇔ 124	Ventileer ECO-modus
		125 ⇔ 129	Ventilator volle snelheid
		130 ⇔ 134	Ventilator automatische snelheid
		135 ⇔ 139	Snelle dimcurve
140 ⇔ 144	Soepele dimcurve		
145 ⇔ 255	Geen functie		

17CH

Kanaal	Functie	Waarde	Percentage/instelling
1	Zwenken	000 ⇔ 255	0–100%
2	Fijn zwenken	000 ⇔ 255	Fijne controle (16-bits)
3	Kantelen	000 ⇔ 255	0–100%
4	Fijn kantelen	000 ⇔ 255	Fijne controle (16-bits)
5	Zwenk-/kantelsnelheid	000 ⇔ 255	Snel tot langzaam
6	Dimmer	000 ⇔ 255	0–100%
7	Stroboscoop	000 ⇔ 019	Uit
		020 ⇔ 024	Aan
		025 ⇔ 064	Stroboscoop, snel tot langzaam
		065 ⇔ 069	Aan
		070 ⇔ 084	Snel inschakelen, langzaam uitschakelen
		085 ⇔ 089	Aan
		090 ⇔ 104	Langzaam inschakelen, snel uitschakelen (snel tot langzaam)
		105 ⇔ 109	Aan
		110 ⇔ 124	Willekeurig stroboscoop, snel tot langzaam
		125 ⇔ 129	Aan
		130 ⇔ 144	Willekeurig: snel inschakelen, langzaam uitschakelen (snel tot langzaam)
		145 ⇔ 149	Aan
		150 ⇔ 164	Willekeurig: langzaam inschakelen, snel uitschakelen (snel tot langzaam)
		165 ⇔ 169	Aan
		170 ⇔ 184	Puls stroboscoop, snel tot langzaam
		184 ⇔ 189	Aan
		190 ⇔ 204	Willekeurig puls stroboscoop, snel tot langzaam
205 ⇔ 209	Aan		
210 ⇔ 224	Langzaam inschakelen, langzaam uitschakelen (snel tot langzaam)		
225 ⇔ 229	Aan		
230 ⇔ 244	Puls stroboscoop, snel tot langzaam		
245 ⇔ 255	Aan		
8	Rood	000 ⇔ 255	0–100%
9	Groen	000 ⇔ 255	0–100%

Kanaal	Functie	Waarde	Percentage/instelling
10	Blauw	000 ⇔ 255	0–100%
11	Wit	000 ⇔ 255	0–100%
12	Kleur	000 ⇔ 004	Geen functie
		005 ⇔ 009	Kleur 1
		010 ⇔ 014	Kleur 2
		015 ⇔ 019	Kleur 3
		020 ⇔ 024	Kleur 4
		025 ⇔ 029	Kleur 5
		030 ⇔ 034	Kleur 6
		035 ⇔ 039	Kleur 7
		040 ⇔ 044	Kleur 8
		045 ⇔ 049	Kleur 9
		050 ⇔ 054	Kleur 10
		055 ⇔ 059	Kleur 11
		060 ⇔ 064	Kleur 12
		065 ⇔ 069	Kleur 13
		070 ⇔ 074	Kleur 14
		075 ⇔ 079	Kleur 15
		080 ⇔ 084	Kleur 16
		085 ⇔ 089	Kleur 17
		090 ⇔ 094	Kleur 18
		095 ⇔ 099	Kleur 19
		100 ⇔ 104	Kleur 20
		105 ⇔ 109	Kleur 21
		110 ⇔ 114	Kleur 22
		115 ⇔ 119	Kleur 23
		120 ⇔ 124	Kleur 24
		125 ⇔ 129	Kleur 25
		130 ⇔ 134	Kleur 26
		135 ⇔ 139	Kleur 27
		140 ⇔ 144	Kleur 28
		145 ⇔ 149	Kleur 29
		150 ⇔ 154	Kleur 30
		155 ⇔ 159	Kleur 31
		160 ⇔ 164	Kleur 32
		165 ⇔ 169	Kleur 33
170 ⇔ 174	Kleur 34		
175 ⇔ 179	Geen functie		
180 ⇔ 201	Kleurwijziging, snel tot langzaam		
202 ⇔ 207	Houden		
208 ⇔ 229	Omgekeerde kleurwijziging, snel tot langzaam		
230 ⇔ 234	Geen functie		
235 ⇔ 249	Ogenblikkelijk kleurverandering, snel tot langzaam		
250 ⇔ 255	Geen functie		

Kanaal	Functie	Waarde	Percentage/instelling
13	Zone selectie	000 ⇔ 007	Zone 1, 2, 3, 4, 5
		008 ⇔ 015	Zone 2, 3, 4, 5
		016 ⇔ 023	Zone 3, 4, 5
		024 ⇔ 031	Zone 4, 5
		032 ⇔ 039	Zone 5
		040 ⇔ 047	Geen functie
		048 ⇔ 055	Zone 1
		056 ⇔ 063	Zone 1, 2
		064 ⇔ 071	Zone 1, 2, 3
		072 ⇔ 079	Zone 1, 2, 3, 4
		080 ⇔ 087	Zone 1, 2, 3, 4, 5
		088 ⇔ 095	Zone 1
		096 ⇔ 103	Zone 2
		104 ⇔ 111	Zone 3
		112 ⇔ 119	Zone 4
		120 ⇔ 127	Zone 5
		128 ⇔ 135	Zone 1, 2
		136 ⇔ 143	Zone 2, 3
		144 ⇔ 151	Zone 3, 4
		152 ⇔ 159	Zone 4, 5
		160 ⇔ 167	Zone 1, 5
		168 ⇔ 175	Zone 1, 2, 3
		176 ⇔ 183	Zone 2, 3, 4
		184 ⇔ 191	Zone 3, 4, 5
		192 ⇔ 199	Zone 1, 4, 5
		200 ⇔ 207	Zone 1, 2, 5
		208 ⇔ 215	Zone 1, 2, 3, 4
		216 ⇔ 223	Zone 2, 3, 4, 5
		224 ⇔ 231	Zone 1, 3, 4, 5
		232 ⇔ 239	Zone 1, 2, 4, 5
240 ⇔ 247	Zone 1, 2, 3, 5		
248 ⇔ 255	Zone 1, 2, 3, 4, 5		

Kanaal	Functie	Waarde	Percentage/instelling
14	Programmas	000 ⇔ 015	Geen functie
		016 ⇔ 020	Ring macro 1
		021 ⇔ 025	Ring macro 2
		026 ⇔ 030	Ring macro 3
		031 ⇔ 035	Ring macro 4
		036 ⇔ 040	Ring macro 5
		041 ⇔ 045	Ring macro 6
		046 ⇔ 050	Ring macro 7
		051 ⇔ 055	Ring macro 8
		056 ⇔ 060	Ring macro 9
		061 ⇔ 065	Ring macro 10
		066 ⇔ 070	Ring macro 11
		071 ⇔ 075	Ring macro 12
		076 ⇔ 080	Ring macro 13
		081 ⇔ 085	Ring macro 14
		086 ⇔ 090	Ring macro 15
		091 ⇔ 095	Ring macro 16
		096 ⇔ 100	Ring macro 17
		101 ⇔ 105	Ring macro 18
		106 ⇔ 110	Ring macro 19
		111 ⇔ 115	Ring macro 20
		116 ⇔ 120	Ring macro 21
		121 ⇔ 125	Ring macro 22
		126 ⇔ 130	Ring macro 23
		131 ⇔ 135	Ring macro 24
		136 ⇔ 140	Kleur ring macro 1
		141 ⇔ 145	Kleur ring macro 2
		146 ⇔ 150	Kleur ring macro 3
		151 ⇔ 155	Kleur ring macro 4
		156 ⇔ 160	Kleur ring macro 5
		161 ⇔ 165	Kleur ring macro 6
		166 ⇔ 170	Kleur ring macro 7
		171 ⇔ 175	Kleur ring macro 8
		176 ⇔ 180	Kleur ring macro 9
		181 ⇔ 185	Kleur ring macro 10
		186 ⇔ 190	Kleur ring macro 11
		191 ⇔ 195	Kleur ring macro 12
		196 ⇔ 200	Kleur ring macro 13
		201 ⇔ 205	Kleur ring macro 14
		206 ⇔ 210	Kleur ring macro 15
211 ⇔ 215	Kleur ring macro 16		
216 ⇔ 220	Kleur ring macro 17		
221 ⇔ 225	Kleur ring macro 18		
226 ⇔ 230	Kleur ring macro 19		
231 ⇔ 235	Kleur ring macro 20		
236 ⇔ 240	Kleur ring macro 21		
241 ⇔ 245	Kleur ring macro 22		
246 ⇔ 250	Kleur ring macro 23		
251 ⇔ 255	Kleur ring macro 24		
15	Automatische snelheid	000 ⇔ 255	0–100%
16	Zoom	000 ⇔ 255	0–100%

Kanaal	Functie	Waarde	Percentage/instelling
17	Regeling (5 seconden activeringsvertraging)	000 ⇔ 009	Geen functie
		010 ⇔ 014	Zwenk-/kantelverduistering
		015 ⇔ 049	Geen functie
		050 ⇔ 054	Zwenk-reset
		055 ⇔ 059	Kantel-reset
		060 ⇔ 064	Zoom-reset
		065 ⇔ 069	Geen functie
		070 ⇔ 074	Alles-reset
		075 ⇔ 079	Geen functie
		080 ⇔ 084	Omgekeerde zwenk- en kantelbediening
		085 ⇔ 089	Omgekeerde zwenkbediening
		090 ⇔ 094	Omgekeerde kantelbediening
		095 ⇔ 099	Normale zwenkbediening
		100 ⇔ 104	Normale kantelbediening
		105 ⇔ 109	Normale zwenk- en kantelbediening
		110 ⇔ 119	Geen functie
		120 ⇔ 124	Ventileer ECO-modus
		125 ⇔ 129	Ventilator volle snelheid
		130 ⇔ 134	Ventilator automatische snelheid
		135 ⇔ 139	Snelle dimcurve
140 ⇔ 144	Soepele dimcurve		
145 ⇔ 255	Geen functie		

15CH

Kanaal	Functie	Waarde	Percentage/instelling
1	Zwenken	000 ⇔ 255	0–100%
2	Fijn zwenken	000 ⇔ 255	Fijne controle (16-bits)
3	Kantelen	000 ⇔ 255	0–100%
4	Fijn kantelen	000 ⇔ 255	Fijne controle (16-bits)
5	Zwenk-/kantelsnelheid	000 ⇔ 255	Snel tot langzaam
6	Dimmer	000 ⇔ 255	0–100%
7	Fijne dimmer	000 ⇔ 255	Fijne controle (16-bits)
8	Stroboscoop	000 ⇔ 019	Uit
		020 ⇔ 024	Aan
		025 ⇔ 064	Stroboscoop, snel tot langzaam
		065 ⇔ 069	Aan
		070 ⇔ 084	Snel inschakelen, langzaam uitschakelen
		085 ⇔ 089	Aan
		090 ⇔ 104	Langzaam inschakelen, snel uitschakelen (snel tot langzaam)
		105 ⇔ 109	Aan
		110 ⇔ 124	Willekeurig stroboscoop, snel tot langzaam
		125 ⇔ 129	Aan
		130 ⇔ 144	Willekeurig: snel inschakelen, langzaam uitschakelen (snel tot langzaam)
		145 ⇔ 149	Aan
		150 ⇔ 164	Willekeurig: langzaam inschakelen, snel uitschakelen (snel tot langzaam)
		165 ⇔ 169	Aan
		170 ⇔ 184	Puls stroboscoop, snel tot langzaam
		184 ⇔ 189	Aan
		190 ⇔ 204	Willekeurig puls stroboscoop, snel tot langzaam
205 ⇔ 209	Aan		
210 ⇔ 224	Langzaam inschakelen, langzaam uitschakelen (snel tot langzaam)		
225 ⇔ 229	Aan		
230 ⇔ 244	Puls stroboscoop, snel tot langzaam		
245 ⇔ 255	Aan		
9	Rood	000 ⇔ 255	0–100%

Kanaal	Functie	Waarde	Percentage/instelling
10	Groen	000 ⇔ 255	0–100%
11	Blauw	000 ⇔ 255	0–100%
12	Wit	000 ⇔ 255	0–100%
13	Kleur	000 ⇔ 004	Geen functie
		005 ⇔ 009	Kleur 1
		010 ⇔ 014	Kleur 2
		015 ⇔ 019	Kleur 3
		020 ⇔ 024	Kleur 4
		025 ⇔ 029	Kleur 5
		030 ⇔ 034	Kleur 6
		035 ⇔ 039	Kleur 7
		040 ⇔ 044	Kleur 8
		045 ⇔ 049	Kleur 9
		050 ⇔ 054	Kleur 10
		055 ⇔ 059	Kleur 11
		060 ⇔ 064	Kleur 12
		065 ⇔ 069	Kleur 13
		070 ⇔ 074	Kleur 14
		075 ⇔ 079	Kleur 15
		080 ⇔ 084	Kleur 16
		085 ⇔ 089	Kleur 17
		090 ⇔ 094	Kleur 18
		095 ⇔ 099	Kleur 19
		100 ⇔ 104	Kleur 20
		105 ⇔ 109	Kleur 21
		110 ⇔ 114	Kleur 22
		115 ⇔ 119	Kleur 23
		120 ⇔ 124	Kleur 24
		125 ⇔ 129	Kleur 25
		130 ⇔ 134	Kleur 26
		135 ⇔ 139	Kleur 27
		140 ⇔ 144	Kleur 28
		145 ⇔ 149	Kleur 29
		150 ⇔ 154	Kleur 30
		155 ⇔ 159	Kleur 31
		160 ⇔ 164	Kleur 32
		165 ⇔ 169	Kleur 33
170 ⇔ 174	Kleur 34		
175 ⇔ 179	Geen functie		
180 ⇔ 201	Kleurwijziging, snel tot langzaam		
202 ⇔ 207	Houden		
208 ⇔ 229	Omgekeerde kleurwijziging, snel tot langzaam		
230 ⇔ 234	Geen functie		
235 ⇔ 249	Ogenblikkelijk kleurverandering, snel tot langzaam		
250 ⇔ 255	Geen functie		
14	Zoom	000 ⇔ 255	0–100%

Kanaal	Functie	Waarde	Percentage/instelling
15	Regeling (5 seconden activeringsvertraging)	000 ⇔ 009	Geen functie
		010 ⇔ 014	Zwenk-/kantelverduistering
		015 ⇔ 049	Geen functie
		050 ⇔ 054	Zwenk-reset
		055 ⇔ 059	Kantel-reset
		060 ⇔ 064	Zoom-reset
		065 ⇔ 069	Geen functie
		070 ⇔ 074	Alles-reset
		075 ⇔ 079	Geen functie
		080 ⇔ 084	Omgekeerde zwenk- en kantelbediening
		085 ⇔ 089	Omgekeerde zwenkbediening
		090 ⇔ 094	Omgekeerde kantelbediening
		095 ⇔ 099	Normale zwenkbediening
		100 ⇔ 104	Normale kantelbediening
		105 ⇔ 109	Normale zwenk- en kantelbediening
		110 ⇔ 119	Geen functie
		120 ⇔ 124	Ventileer ECO-modus
		125 ⇔ 129	Ventilator volle snelheid
		130 ⇔ 134	Ventilator automatische snelheid
		135 ⇔ 139	Snelle dimcurve
140 ⇔ 144	Soepele dimcurve		
145 ⇔ 255	Geen functie		

Contact Us

General Information	Technical Support
Chauvet World Headquarters	
Address: 5200 NW 108th Ave. Sunrise, FL 33351 Voice: (954) 577-4455 Fax: (954) 929-5560 Toll Free: (800) 762-1084	Voice: (844) 393-7575 Fax: (954) 756-8015 Email: chauvetcs@chauvetlighting.com Website: www.chauvetprofessional.com
Chauvet Europe Ltd.	
Address: Unit 1C Brookhill Road Industrial Estate Pinxton, Nottingham, UK NG16 6NT Voice: +44 (0) 1773 511115 Fax: +44 (0) 1773 511110	Email: UKtech@chauvetlighting.eu Website: www.chauvetprofessional.eu
Chauvet Europe BVBA	
Address: Stokstraat 18 9770 Kruishoutem Belgium Voice: +32 9 388 93 97	Email: BNLtech@chauvetlighting.eu Website: www.chauvetprofessional.eu
Chauvet France	
Address: 3, Rue Ampère 91380 Chilly-Mazarin France Voice: +33 1 78 85 33 59	Email: FRtech@chauvetlighting.fr Website: www.chauvetprofessional.eu
Chauvet Germany	
Address: Bruno-Bürgel-Str. 11 28759 Bremen Germany Voice: +49 421 62 60 20	Email: DEtech@chauvetlighting.de Website: www.chauvetprofessional.eu
Chauvet Mexico	
Address: Av. de las Partidas 34 - 3B (Entrance by Calle 2) Zona Industrial Lerma Lerma, Edo. de México, CP 52000 Voice: +52 (728) 690-2010	Email: servicio@chauvet.com.mx Website: www.chauvetprofessional.mx

Visit the applicable website above to verify our contact information and instructions to request support. Outside the US, United Kingdom, Ireland, Mexico, France, Germany, or Benelux, contact the dealer of record.



UL 1573
CSA C22.2 No. 166
E113093



RoHS

