

PoleStar™

Band Kit for 2" to 6" Dia. Poles and Columns

Installation Instructions

PM-BAND-20S

Thank you for choosing the PoleStar™ PM-Band-20S Kit. This all weather, stainless steel banding strap is designed to attach the PoleStar™ Pole Adapters to 2" dia. to 6" dia. poles.

Important:

Mounting overhead system requires experienced professionals. *Improperly installed equipment can result in property damage, personal injury, death and/or liability to the installing contractor.* Do not install if in doubt about the integrity of the mounting structure.

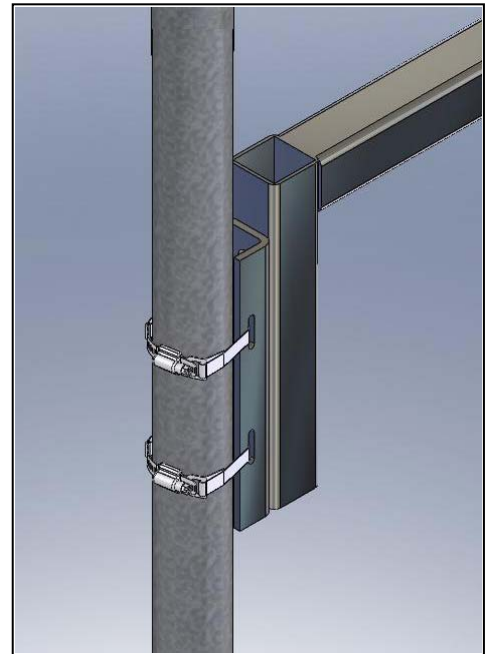
Caution: Due to the wide variety of mounting structures, environments, materials and mounting methods, these instructions assume that the installing contractor will exercise good judgment in selecting the proper mounting area and hardware.

Follow these instructions for the most efficient and safest mounting results. Do not exceed the working load limit of 150 lbs/68 kg.

Caution: Use care in uncoiling and applying strap.

Package Contents:

Qty	Description
2 pcs	PM-BAND-20S Housing
2 pcs	PM-BAND-20S Racks
2 pcs	PM-BAND-20S 20" long banding strap
1 pc	Instruction Sheet



Step 1

Insert one end of the strap into the rectangular slot of the housing then fold at least one inch long or longer (*a longer fold creates a more effective lock*) then flatten band using thumb to form a hook. The folded end should be on the opposite side of the housing's screw head (Figure 1).

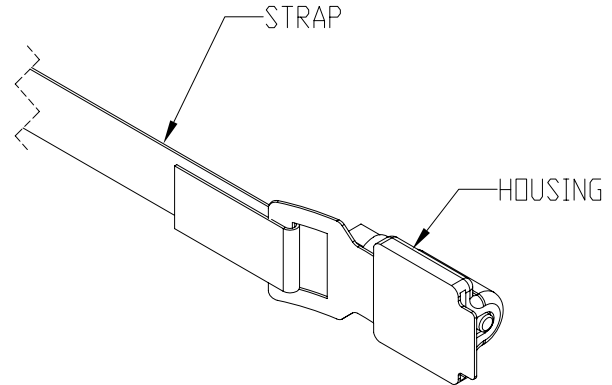


Figure 1:

Step 2

Insert the end of the rack into the housing and rotate screw head clockwise using a screw driver until 3/4" of the rack comes out on the other end of the housing (Figure 2). **MAKE SURE THAT THE WORD "THIS SIDE UP" WRITTEN ON THE RACK FACING OUT.**

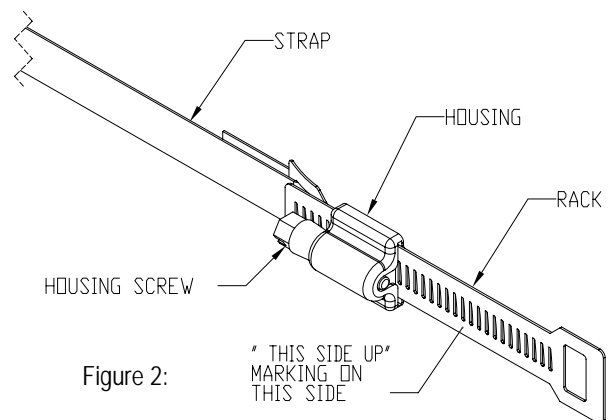


Figure 2:

Step 3

Insert the other end of the band through the slots of the PM-MOUNT-6DOWN and out on the other side. Wrap the band snugly around the pole until the end reaches rectangular slot of the rack (Figure 3).

Step 4

Measure, mark and cut the band at least **one inch** beyond the first serration of the rack, then bend at least a one inch hook toward underside of band (Figure 4 & 5).

Step 5

Insert the hook into the rectangular slot of the rack, if necessary loosen the rack from the housing. Flatten band with thumb to form a clamp (Figure 5).

Step 6

Position the location of the PM-MOUNT-6DOWN on the pole and then tighten screw using screw or wrench to desired tension and complete the banding operation (Figure 6).

Step 7

Repeat steps 1 to 6 for the lower banding strap assembly (Figure 6).

Step 8 Recommendation

Always use a safety cable from the speaker to a structurally safe anchor point (Refer to PM-SAFETY-6DOWN for Safety Cable Anchor Point System).

Note: Optional

To strengthen banding strap use two straps on each slot of the PM-MOUNT-6DOWN

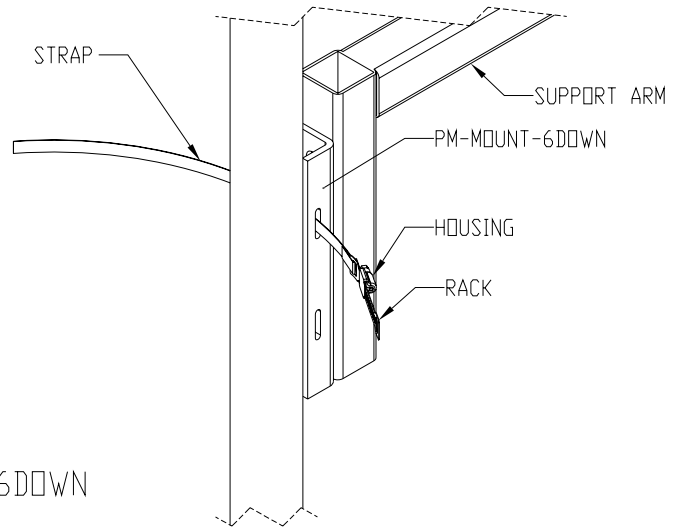


Figure 3:

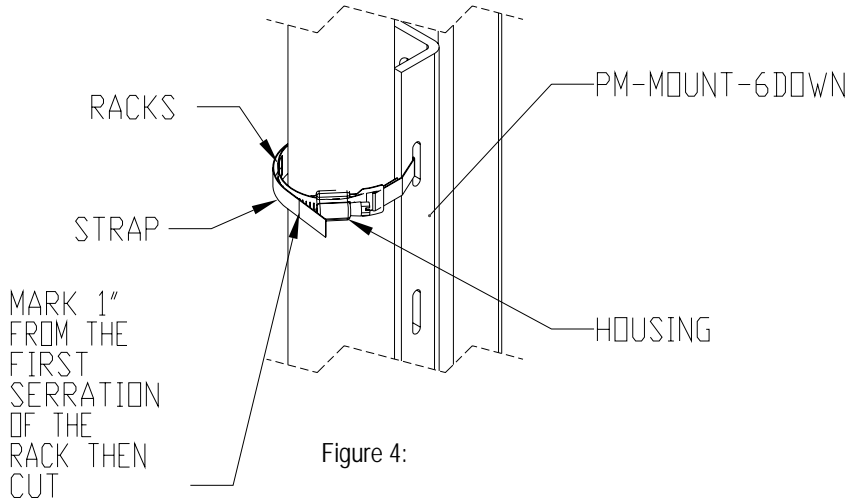


Figure 4:

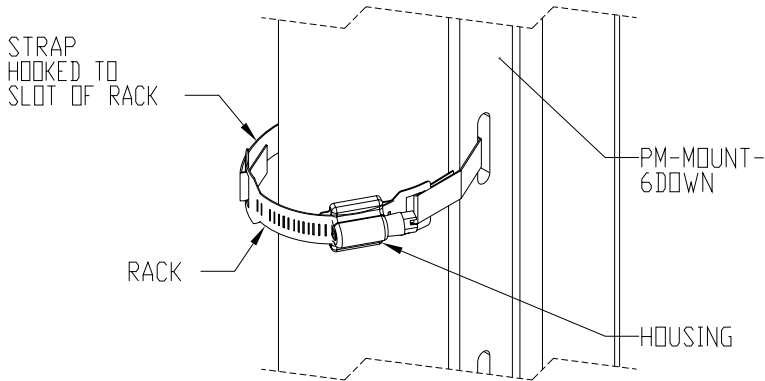


Figure 5:

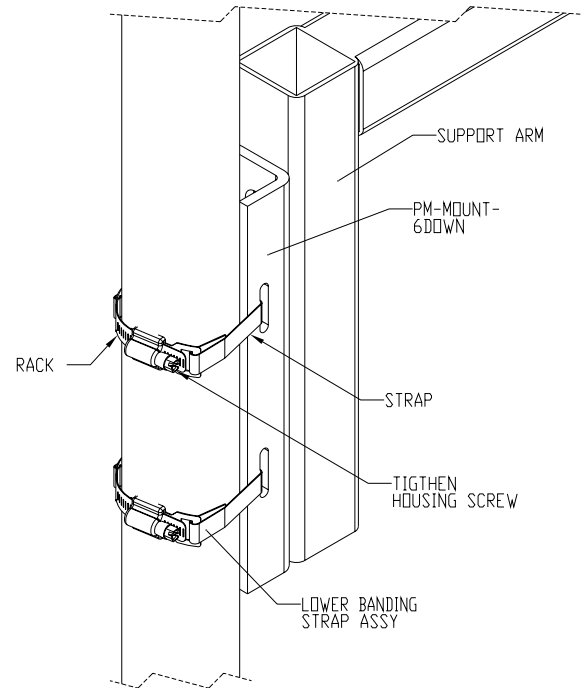


Figure 6: