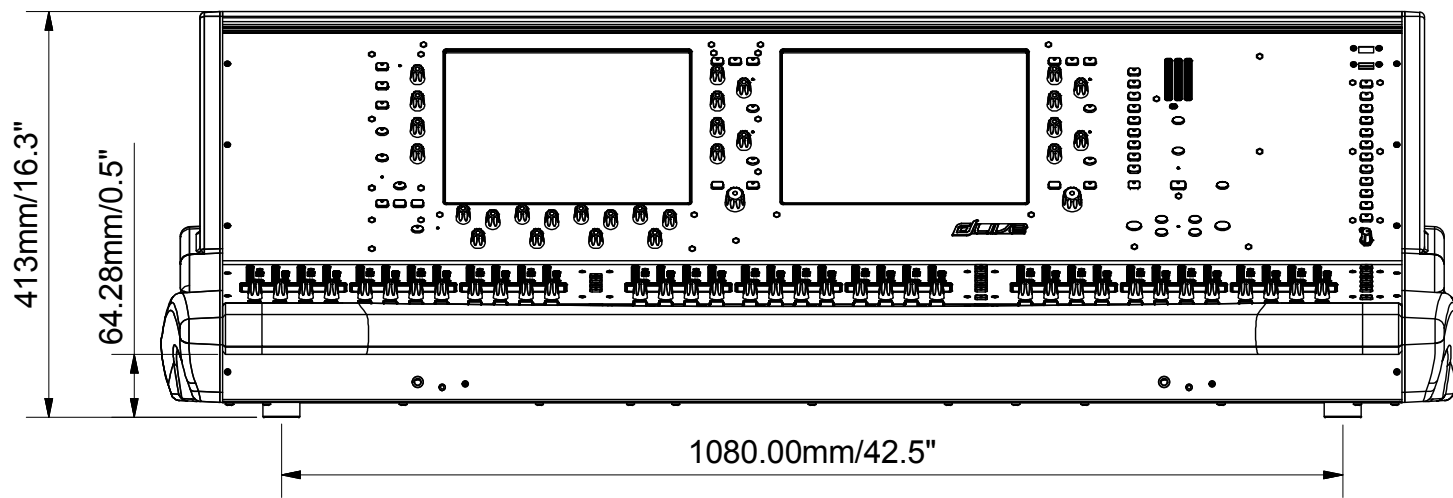


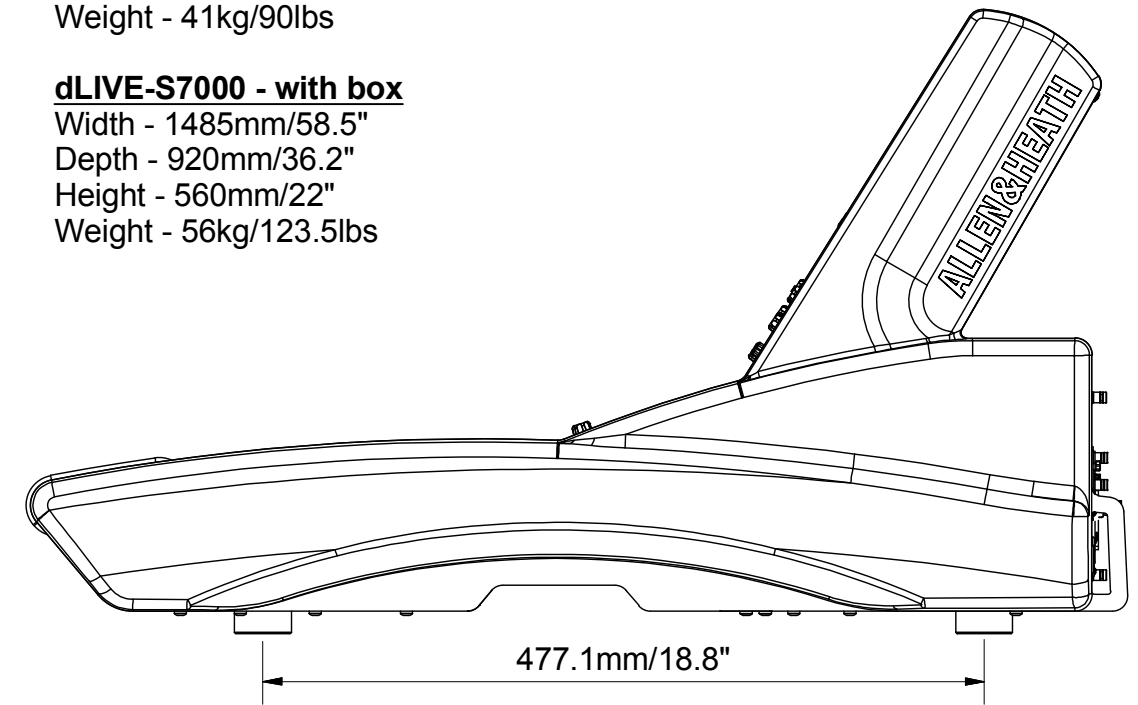
dLIVE-S7000 - without box

Width - 1325.4mm/52.2"
 Depth - 728.5mm/28.7"
 Height - 413mm/16.3"
 Weight - 41kg/90lbs

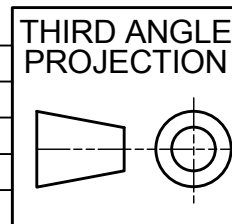


dLIVE-S7000 - with box

Width - 1485mm/58.5"
 Depth - 920mm/36.2"
 Height - 560mm/22"
 Weight - 56kg/123.5lbs



REVISION HISTORY				
REV	DESCRIPTION	ECN	DATE	APPROVED
A	ORIGIN		28/01/2015	Alexmo
B	MECH MOD		23/04/2015	ALEXMO
1	MODS		27/04/2015	ALEXMO



MATERIAL:
 All materials to be compliant with The Restriction of Hazardous Substances (ROHS2) Directive 2011/65/EU

TOLERANCES U O S:
 GENERAL ± 0.25 HOLE CENTRES ± 0.10
 HOLE SIZES ± 0.05 ANGULAR DIMS ± 0.50°

FINISH:

DRAWING DLIVE S7000	
UNIT DLIVE	
PART No 007-159	DRAWING No Weights & Measures dLIVE-S7000

ALLEN & HEATH Ltd. KERNICK INDUSTRIAL ESTATE PENRYN CORNWALL TR10 9LU TELEPHONE 01326 372070 FACSIMILE 01326 370153	
SHEET 1 of 1	ISSUE 1