



KL FRESNEL 6™

KL FRESNEL 6™ is a 150W 3,000K >95CRI Warm White LED fresnel, producing over 6,500 total lumen output, on par with compatible tungsten halogen models. Features include manual and DMX control, 15° to 38° wide manual zoom, manual and DMX controlled dimmer and shutter, dimmer and zoom rotary dials, smooth 16-bit selectable dimming modes and curves, LED refresh rate frequency adjustment for flicker free operation for TV and FILM, removable barn doors (included), RDM (remote device management) protocol support, 3/5pin DMX and powerCON TRUE1 in/out connections, 4 button control panel, LCD menu display, multiple unit power linking, a universal auto switching power supply (100-240v), gel frame and rotating bar doors (included), and a 3 clamp position adjustable mounting yoke.



FEATURES

- 150W 3,000K >95CRI Warm White LED Engine**
- 6,500+ Total Lumen Output**
- Output On Par with Tungsten Halogen Models**
- 15° to 38° Wide Manual Zoom**
- Manual and DMX Controlled Dimmer and Shutter**
- Dimmer and Zoom Rotary Dials**
- Smooth 16-bit Selectable Dimming Modes and Curves**
- LED Refresh Rate Adjustment**
- Flicker Free Operation for TV and FILM**
- RDM (Remote Device Management)**
- Gel Frame and Rotating Barn Doors (included)**
- 3 Clamp Position Adjustable Mounting Yoke**



SPECIFICATIONS

SOURCE

150W >95CRI 3,000K Cool White LED
50,000 Hour Average LED Life*

*May vary depending on several factors including but not limited to:
Environmental Conditions, Power/Voltage, Usage Patterns (On-Off Cycling), Control and Dimming.

PHOTOMETRIC DATA

6,500+ Total Lumen Output
17,829 LUX 1,656 FC @6.6' (2m) (Min Zoom / Full ON)
4,412 LUX 410 FC @6.6' (2m) (Max Zoom / Full ON)

EFFECTS

15° - 38° Wide Manual Zoom
Electronic Dimmer and Strobe
Variable 16-bit Dimming Modes and Curves

COLOR

Warm White 3,000K

CONTROL / CONNECTIONS

Manual and DMX Controlled Dimmer and Shutter
Dimmer and Zoom Rotary Dials
(5) DMX Channel Modes (1 / 2 / 3 / 4 / 5)
4 Button Control Panel LCD Menu Display
RDM (Remote Device Management)
3/5pin DMX and powerCON TRUE1 In/Out

SIZE / WEIGHT

Length: 19.62" (498.5mm)
Width: 10.75" (273mm)
Vertical Height: 15.47" (393mm)
Weight: 18.5 lbs. (8.4kg)

ELECTRICAL / THERMAL

AC 100-240V - 50/60Hz
180W Max Power Consumption
Multiple Unit Power Linking
5°F to 113°F (-15°C to 45°C)

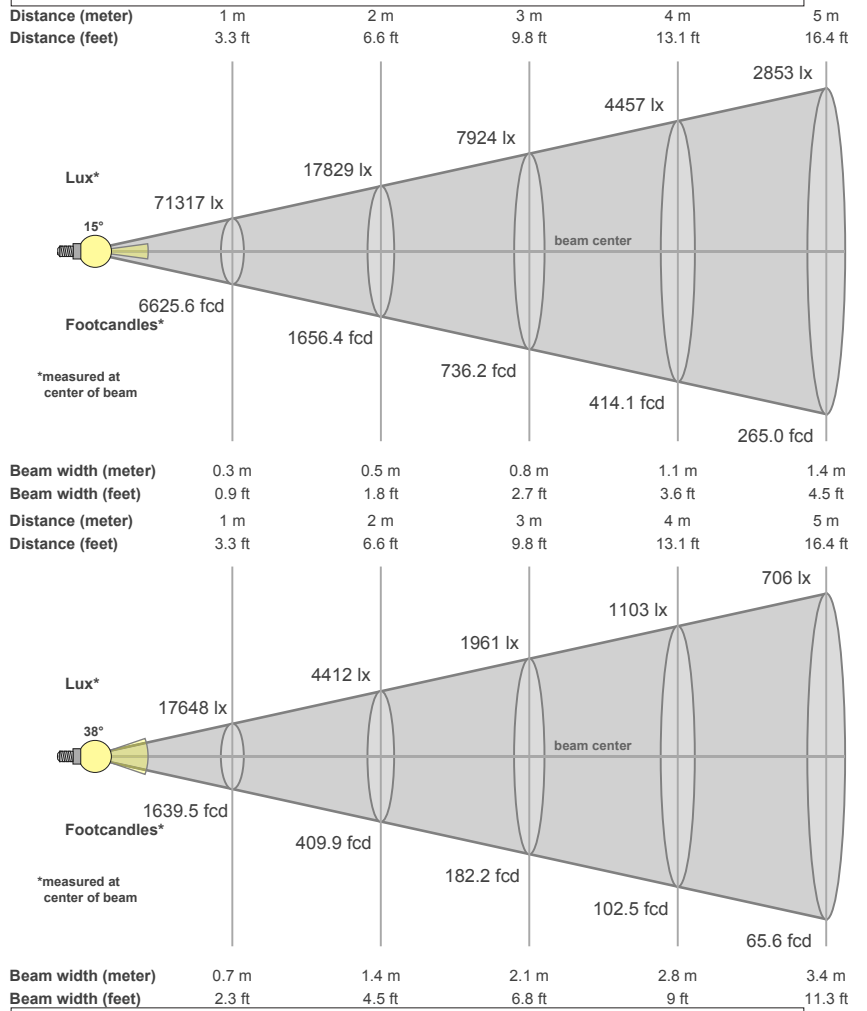
INCLUDED ITEMS

Gel Frame and Rotating Barn Doors
powerCON TRUE1 Power Cable
Barn Doors and Fixture Safety Cables

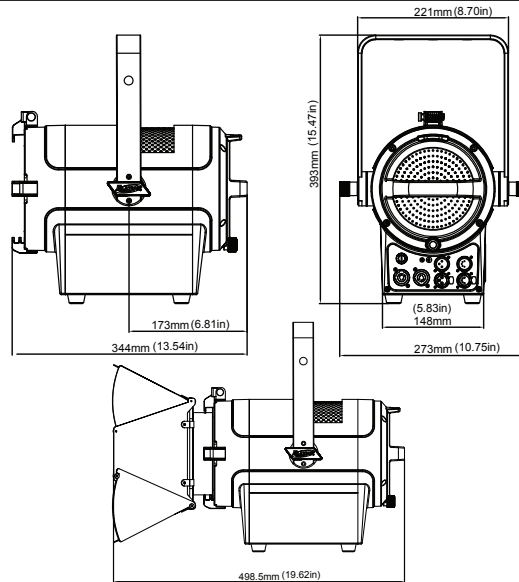
APPROVALS / RATINGS



PHOTOMETRIC DATA



DIMENSIONAL DIAGRAMS



ORDERING INFORMATION

KLF012	KL FRESNEL 6
TRIGGER CLAMP	Heavy Duty Wrap Around Hook Style Clamp
AC5PDMX5PRO	5 ft. (1.5m) 5pin PRO DMX Cable (Additional cable lengths available)
NEU088	3 ft. (1m) PowerCON TRUE1 Power Link Cable (Additional cable lengths available)



Specifications subject to change without notice ©Elation Professional 03/02/19

Elation Professional USA | 6122 S. Eastern Ave. | Los Angeles, CA, 90040
323-582-3322 | 323-832-9142 fax | www.elationlighting.com | info@elationlighting.com

Elation Professional B.V. | Junostraat 2 | 6468 EW Kerkrade, The Netherlands
+31 45 546 85 66 | +31 45 546 85 96 fax | www.elationlighting.eu | info@elationlighting.eu