



U851Rb/U851RWb

User Manual CARDIOID CONDENSER BOUNDARY MICROPHONE

audio-technica

Introduction

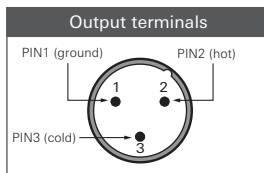
Thank you for purchasing this product. Before using the product, read through the user manual to ensure that you will use the product correctly. Please keep this manual for future reference.

Features

- Cardioid condenser boundary microphone
- Designed for surface-mount applications such as high-quality sound reinforcement, professional recording, television, conferencing and other demanding sound pickup situations
- Superior off-axis rejection for maximum gain before feedback
- PivotPoint™ rotating output connector allows cable to exit from either the rear or the bottom of the microphone
- Small-diameter UniPoint™ capsule near boundary eliminates phase distortion and delivers clear, high-output performance
- UniGuard™ RFI-shielding technology offers outstanding rejection of radio frequency interference (RFI)
- Heavy die-cast case and non-slip silicone foam bottom pads minimize coupling of surface vibration to the microphone
- Low-profile design with low-reflectance finish for minimum visibility
- Threaded inserts on bottom of microphone allow it to be mounted with screws for increased security
- Available in two colors: black (U851Rb) and white (U851RWb)

Connection procedure

Connect the output terminals of the microphone to a device that has a microphone input (balanced input) compatible with a phantom power supply. The output connector is an XLRM-type with polarity as shown in the figure below.



This product requires phantom power.

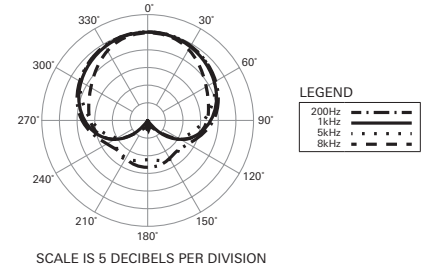
Specifications

Element	Fixed-charge back plate, permanently polarized condenser
Polar pattern	Cardioid
Frequency response	20 - 20,000 Hz
Low frequency roll-off	80 Hz, 18 dB/octave
Open circuit sensitivity	-34 dB (19.9 mV) (0dB=1V/Pa, 1kHz)
Impedance	50 ohms
Maximum input sound level	134 dB SPL (1kHz at 1% THD)
Noise	26 dB SPL (A-weighted)
Dynamic range	108 dB (1kHz at Max SPL)
Signal-to-noise ratio	68 dB (1kHz at 1Pa, A-weighted)
Phantom power requirements	11 - 52 V DC, 4.4 mA
Switches	Low cut: on/off
Weight	253 g (8.9 oz)
Dimensions	23 mm (0.91") × 83.9 mm (3.3") × 108 mm (4.25") (H×W×D)
Output connector	TB3M-type (Microphone) 3-pin XLRM-type (Cable)
Optional interchangeable elements	UE-O omnidirectional (360°), UE-H hypercardioid (100°)
Included accessories	U851Rb: 7.6 m (24.9') Microphone black cable (TA3F, XLRM), Pouch U851RWb: 7.6 m (24.9') Microphone white cable (TA3F, XLRM), Pouch

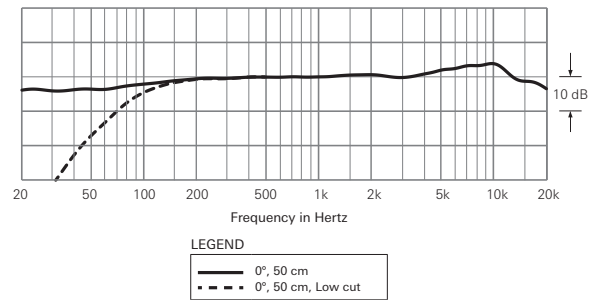
• 1 Pascal = 10 dynes/cm² = 10 microbars = 94 dB SPL

For product improvement, the product is subject to modification without notice.

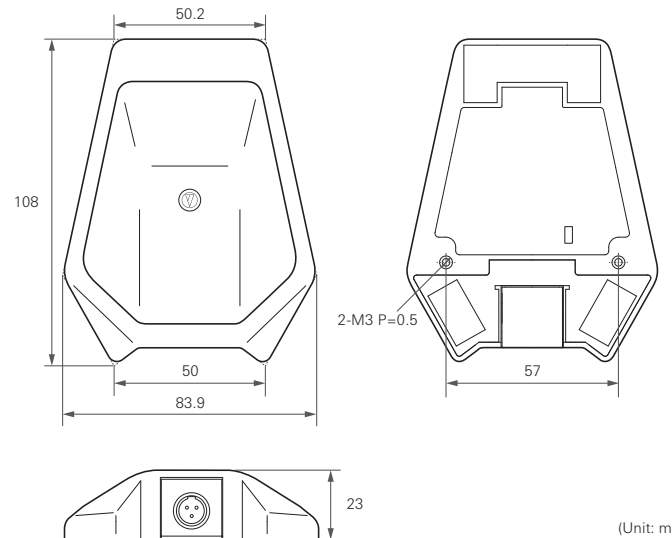
Polar pattern



Frequency response



Dimensions



Included accessories



Audio-Technica Corporation

2-46-1 Nishi-naruse, Machida, Tokyo 194-8666, Japan
©2019 Audio-Technica Corporation
Global Support Contact: www.at-globalsupport.com
Made in Japan