

FUZE PROFILE



The **FUZE PROFILE™** is an automated LED framing fixture designed for theater, television and a wide array of other precision lighting applications. The 92 CRI engine utilizes a 5-color homogenized LED array consisting of Red, Green, Blue, Mint, and Amber sources. The carefully tuned LEDs ensure accurate color reproduction while delivering a powerful output of over 10,000 lumens. Virtual color temperature, Magenta / Green adjustment plus CMY emulation provide the designer with immediate access to the impressive LED color array.

The FUZE PROFILE is designed for any application where fully automated ellipsoidal fixture with outstanding and impactful color range and quality is required. A rotating gobo wheel, fixed gobo wheel, animation wheel, frost, prism and iris round out its comprehensive feature set in a compact, quiet and lightweight fixture.

FEATURES

- Extended color RGBMA LED Engine, 92 CRI
- Rotating and Fixed Gobos plus Animation Wheel
- Full Blackout Framing System
- Iris, Prism, and Frost
- Wide Zoom Range from 7° to 42°



Shown with included Snoot

Specifications subject to change without notice ©Elation Professional 10/30/20

Elation Professional USA | 6122 S. Eastern Ave. | Los Angeles, CA. 90040
323-582-3322 | 323-832-9142 fax | www.elationlighting.com | info@elationlighting.com

Elation Professional B.V. | Junostraat 2 | 6468 EW Kerkrade, The Netherlands
+31 45 546 85 66 | +31 45 546 85 96 fax | www.elationlighting.eu | info@elationlighting.eu

SPECIFICATIONS

SOURCE

305W 6,500K RGBMA LED Engine
30,000 Hour Average LED Life*

*Test lab conditions. May vary depending on several factors including but not limited to: Environmental Conditions, Power/Voltage, Usage Patterns (On-Off Cycling), Control, and Dimming.

PHOTOMETRIC DATA

10,100 Total Lumen Output
CRI 92
Zoom Range 7° - 42°
Beam Angle 7.5° - 39.9°
Field Angle 8.6° - 44.2°

EFFECTS

Motorized Zoom
4 Rotating Full Blackout Framing Blades, +/- 60 Index
Variable Frost Filter
4 Facet Prism
Motorized Iris
Variable 16-bit Dimming Curve Modes
High Speed Electronic Shutter and Strobe

COLOR

RGBMA Color Array
CMY Emulation
Virtual Color Correction
Green/Magenta Shift
Virtual Gel Swatch Book

GOBOS

1x 6 Rotating / Indexing Interchangeable Glass Gobos
1x 7 Fixed Glass Gobo
Animation Wheel

CONTROL / CONNECTIONS

4 DMX Channel Modes (RGBMA 38 / 59) (CMY 36 / 55)
16-bit Pan, Tilt, and Dimming Control
DMX Adjustable LED Frequency
DMX, RDM Protocol Support
4 Button Touch Control Panel
Full Color 180° Reversible LCD Menu Display
16 Bit Resolution Adjustable Movement
5pin DMX In/Out
IP65 Locking Power Cable In/Out
With Wired Digital Communication Network

SIZE / WEIGHT

Length: 16.0" (407mm)
Width: 10.1" (256mm)
Vertical Height: 27.4" (698mm)
Weight: 55.1 lbs. (25kg)

ELECTRICAL / THERMAL

AC 100-240V - 50/60Hz
540W Max Power Consumption
14°F to 113°F (-10°C to 45°C)
BTU/hr (+/- 10%) 1841

APPROVALS / RATINGS

CE | cETLus | IP30



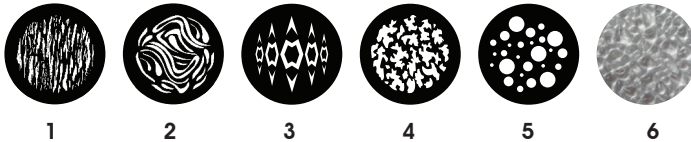
ORDERING INFORMATION

FUZ495

FUZE PROFILE

GOBOS | ANIMATION

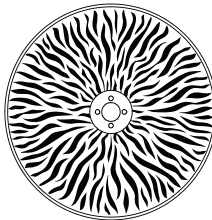
INTERCHANGEABLE-ROTATING GLASS GOBO WHEEL 1



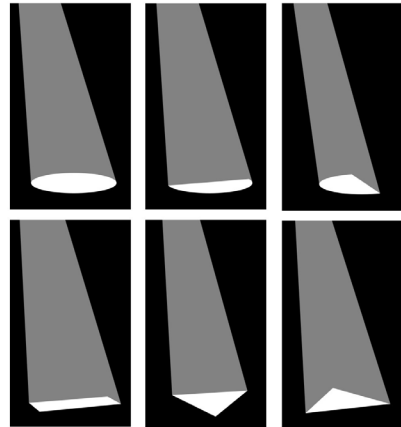
STATIC-FIXED GLASS GOBO WHEEL 2



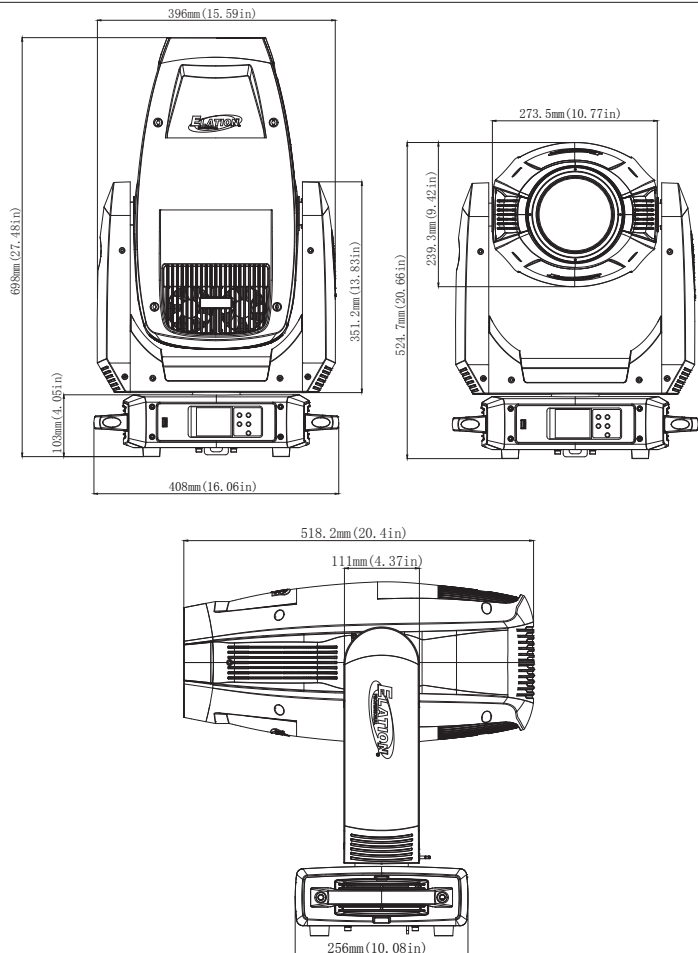
ANIMATION WHEEL



4-BLADE SHUTTER MODULE



DIMENSIONAL DRAWINGS



Specifications subject to change without notice ©Elation Professional 10/30/20

