

USER MANUAL

COLORdash *Accent 3*



Model ID: COLORDASHACCENT3

Edition Notes

The COLORdash Accent 3 User Manual includes a description, safety precautions, installation, programming, operation, and maintenance instructions for the COLORdash Accent 3 as of the release date of this edition.

Trademarks

CHAUVET, the Chauvet logo, and COLORdash Accent 3 are registered trademarks or trademarks of Chauvet & Sons, LLC (d/b/a Chauvet and Chauvet Lighting) in the United States and other countries. Other company and product names and logos referred to herein may be trademarks of their respective companies.

Copyright Notice

The works of authorship contained in this manual, including, but not limited to, all designs, texts, and images are owned by Chauvet.

© **Copyright 2021 Chauvet & Sons, LLC. All rights reserved.**

Electronically published by Chauvet in the United States of America.

Manual Use

Chauvet authorizes its customers to download and print this manual for professional information purposes only. Chauvet expressly prohibits the usage, copy, storage, distribution, modification, or printing of this manual or its content for any other purpose without written consent from Chauvet.

Document Printing

For best results, print this document in color, on letter size paper (8.5 x 11 in), double-sided. If using A4 paper (210 x 297 mm), configure the printer to scale the content accordingly.

Intended Audience

Any person installing, operating, and/or maintaining this product should completely read through the guide that shipped with the product, as well as this manual, before installing, operating, or maintaining this product.

Disclaimer

Chauvet believes that the information contained in this manual is accurate in all respects. However, Chauvet assumes no responsibility and specifically disclaims any and all liability to any party for any loss, damage, or disruption caused by any errors or omissions in this document, whether such errors or omissions result from negligence, accident, or any other cause. Chauvet reserves the right to revise the content of this document without any obligation to notify any person or company of such revision; however, Chauvet has no obligation to make, and does not commit to make, any such revisions. Download the latest version from www.chauvetprofessional.com.

Document Revision

This COLORdash Accent 3 User Manual is the 3rd edition of this document. Go to www.chauvetprofessional.com for the latest version.

TABLE OF CONTENTS

1. Before You Begin	1
What Is Included	1
Claims	1
Text Conventions	1
Symbols	1
Safety Notes.....	2
Personal Safety.....	2
Mounting and Rigging	2
Power and Wiring.....	2
Operation	2
Expected LED Lifespan.....	2
2. Introduction.....	3
Features	3
Product Overview.....	3
Product Dimensions	4
3. Setup.....	5
AC Power	5
AC Plug.....	5
DMX Linking.....	5
DMX Personalities.....	5
Remote Device Management (RDM).....	5
Master/Slave Connectivity.....	5
Mounting	6
Orientation.....	6
Rigging.....	6
Procedure.....	6
Filters	6
4. Operation.....	7
Control Panel Operation.....	7
Programming.....	7
Configuration (DMX)	7
DMX Personalities.....	7
DMX Control.....	7
Menu Map	8
DMX Channel Assignments and Values	11
HSIC (7 Channels).....	11
Advanced (10 Channels)	12
Basic (4 Channels).....	13
Configuration (Standalone)	14
Static Colors.....	14
Automatic Programs.....	14
Run	14
Edit.....	14
Configuration (Settings)	15
Master/Slave	15
Dimmer Profiles.....	15
LED Frequency	15
DMX Error/Loss.....	15
Calibration	16
Display Timeout	16
Passcode	16
System Information	16
Factory Reset.....	16
5. Maintenance.....	17
Product Maintenance	17
6. Technical Specifications.....	18
Returns	19
Contact Us.....	20

1. Before You Begin

What Is Included

- COLORdash Accent 3
- Quick Reference Guide

Claims

Carefully unpack the product immediately and check the container to make sure all the parts are in the package and are in good condition.




If the box or the contents (the product and included accessories) appear damaged from shipping, or show signs of mishandling, notify the carrier immediately, not Chauvet. Failure to report damage to the carrier immediately may invalidate your claim. In addition, keep the box and contents for inspection.

For other issues, such as missing components or parts, damage not related to shipping, or concealed damage, file a claim with Chauvet within 7 days of delivery.

Text Conventions

Convention	Meaning
1–512	A range of values
50/60	A set of values of which only one can be chosen
Settings	A menu option not to be modified
<ENTER>	A key to be pressed on the product’s control panel

Symbols

Symbol	Meaning
	Critical installation, configuration, or operation information. Not following these instructions may make the product not work, cause damage to the product, or cause harm to the operator.
	Important installation or configuration information. The product may not function correctly if this information is not used.
	Useful information.



The term “DMX” used throughout this manual refers to the USITT DMX512-A digital data transmission protocol.

FCC Compliance

This device complies with Part 15 Part B of the FCC rules. Operation is subject to the following two conditions:

1. This device may not cause harmful interference, and
2. This device must accept any interference received, including interference that may cause undesired operation.

Any changes or modifications not expressly approved by the party responsible for compliance could void the user’s authority to operate the equipment.

RF Exposure Warning for North America, and Australia

Warning! This equipment complies with FCC radiation exposure limits set forth for an uncontrolled environment. This equipment should be installed and operated with a minimum distance of 20cm between the radiator and your body. This transmitter must not be co-located or operating in conjunction with any other antenna or transmitter.

Before You Begin

Safety Notes

Read all the following safety notes before working with this product. These notes contain important information about the installation, usage, and maintenance of this product.



This product contains no user-serviceable parts. Any reference to servicing in this User Manual will only apply to properly trained, certified technicians. Do not open the housing or attempt any repairs.



All applicable local codes and regulations apply to proper installation of this product.

Personal Safety

- Avoid direct eye exposure to the light source while the product is on.
- Always disconnect the product from the power source before cleaning or replacing the fuse.
- Always connect the product to a grounded circuit to avoid the risk of electrocution.
- Do not touch the product's housing when operating because it may be very hot.

Mounting and Rigging

- Do not operate this product outdoors or in any location where dust, excessive heat, water, or humidity may affect it (IP20).
- Do not leave any flammable material within 50 cm of this product while operating or connected to power.
- CAUTION: When transferring product from extreme temperature environments, (e.g., cold truck to warm, humid ballroom) condensation may form on the internal electronics of the product. To avoid causing a failure, allow product to fully acclimate to the surrounding environment before connecting it to power.
- Mount this product in a location with adequate ventilation, at least 20 in (50 cm) from adjacent surfaces.
- The luminaire should be positioned so that prolonged staring into the luminaire at a distance closer than 13.7 ft (4.2 m) is not expected.
- When hanging this product, always secure to a fastening device using a safety cable.

Power and Wiring

- Always make sure you are connecting the product to the proper voltage in accordance with the specifications in this manual or on the product's specification label.
- Never connect the product to a dimmer pack or rheostat.
- Never disconnect this product by pulling or tugging on the power cable.

Operation

- Do not operate this product if there is damage on the housing, lenses, or cables. Have the damaged parts replaced by an authorized technician at once.
- If the external flexible cable or cord of this luminaire is damaged, it shall be replaced by a special cord or cord exclusively available from the manufacturer or his service agent.
- The light source contained in this luminaire shall only be replaced by the manufacturer or his service agent or a similar qualified person.
- The luminaire is intended for professional use only.
- Do not cover the ventilation slots when operating to avoid internal overheating.
- The maximum ambient temperature is 113 °F (45 °C). Do not operate the product at higher temperatures.
- The minimum startup temperature is -4°F (-20°C). Do not start the product at lower temperatures.
- The minimum ambient temperature is -22°F (-30°C). Do not operate the product at lower temperatures.
- In the event of a serious operation problem, stop using this product immediately!



If your Chauvet product requires service, contact Chauvet Technical Support.

Expected LED Lifespan

Use and heat will gradually reduce LED brightness over time. Clustered LEDs produce more heat than single LEDs, contributing to shorter lifespans if always used at full intensity. The average LED lifespan is 40,000 to 50,000 hours. To extend LED lifespan, maintain proper ventilation around the product, and limit the overall intensity.

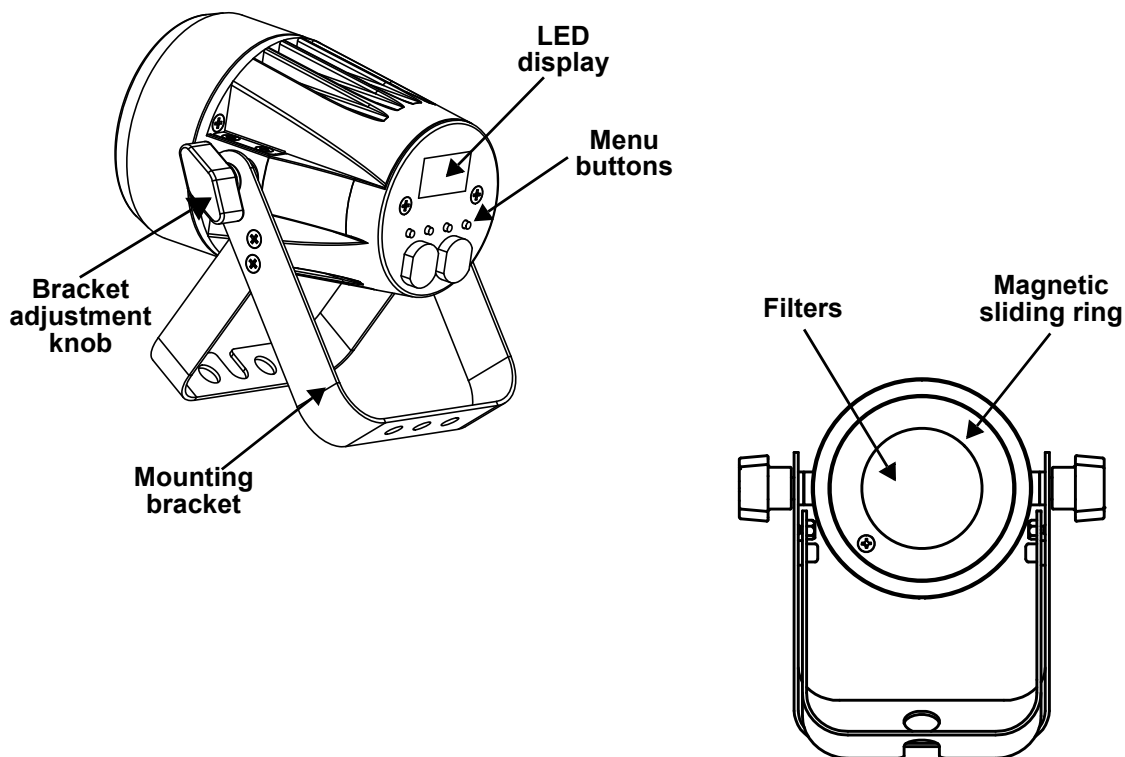
2. Introduction

COLORdash Accent 3 delivers a tremendous punch of evenly mixed light in a tight 9° beam, expandable up to 14° without sacrificing any quality of light. Powered by a 20W RGBA LED, this palm-sized fixture excels at delivering saturated colors and brilliant pastels with a soft, even glow. Variable pulse width modulation allows this fixture to be used for any on-camera applications without any issue of flicker, and an on-board OLED display effortlessly controls and addresses the fixture via DMX or in a standalone mode.

Features

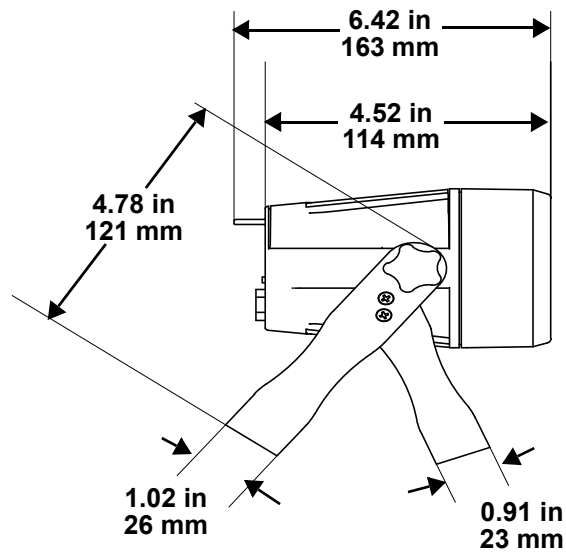
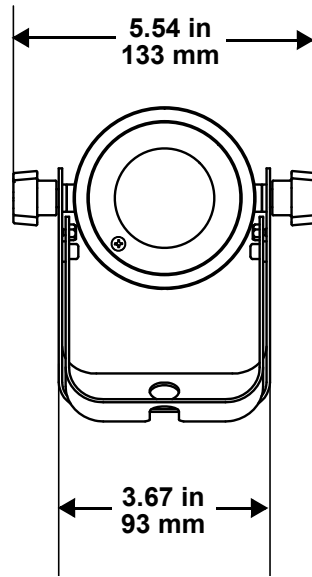
- RGBAW 4-cell LED Batten with seamless end-to-end color for wash or pixel mapping
- Completely homogenized color with no separation or dimmed lens corners
- All environment operation with IP rated power, DMX, and Ethernet connections
- Color temperature presets, from 3200 K to 10000 K
- Selectable, smooth dimming curves for programming versatility
- Built for touring, live event, television, and theatrical productions
- Large, easy to navigate display with password protection

Product Overview



Introduction

Product Dimensions



3. Setup

AC Power

The COLORdash Accent 3 has an auto-ranging power supply and it can work with an input voltage range of 100 to 240 VAC, 50/60 Hz.

To determine the product's power requirements (circuit breaker, power outlet, and wiring), use the current value listed on the label affixed to the product's back panel, or refer to the product's specifications chart.

The listed current rating indicates the product's average current draw under normal conditions.



- **Always connect the product to a protected circuit (a circuit breaker or fuse). Make sure the product has an appropriate electrical ground to avoid the risk of electrocution or fire.**
- **To eliminate unnecessary wear and improve its lifespan, during periods of non-use completely disconnect the product from power via breaker or by unplugging it.**



Never connect the product to a rheostat (variable resistor) or dimmer circuit, even if the rheostat or dimmer channel serves only as a 0 to 100% switch.

AC Plug

The COLORdash Accent 3 comes with a power input cord terminated with an Edison plug (U.S. market). If the power input cord that came with the product has no plug, or if the Edison plug needs to be changed, use the table below to wire the new plug.

Connection	Wire (U.S.)	Wire (Europe)	Screw Color
AC Live	Black	Brown	Yellow or Brass
AC Neutral	White	Blue	Silver
AC Ground	Green/Yellow	Green/Yellow	Green

DMX Linking

The COLORdash Accent 3 can be linked to a DMX controller using a 5-pin DMX connection. If using other DMX-compatible products with this product, you can control each individually with a single DMX controller.

DMX Personalities

The COLORdash Accent 3 uses a 5-pin DMX data connection for its 3 control personalities: **Basic (4Ch)**, **HSIC (7Ch)**, and **Advanced (10Ch)**.

- Refer to the [Operation](#) chapter to learn how to configure the COLORdash Accent 3 to work in these personalities.
- The [DMX Channel Assignments and Values](#) section provides detailed information regarding the control personalities.



If you are not familiar with or need more information about DMX standards, Master/Slave connectivity, or the DMX cables needed to link this product to a DMX controller, download the DMX Primer from the Chauvet website: www.chauvetprofessional.com.

Remote Device Management (RDM)

Remote Device Management, or RDM, is a standard for allowing DMX-enabled devices to communicate bi-directionally along existing DMX cabling. Check the DMX controller's User Manual or with the manufacturer as not all DMX controllers have this capability. The COLORdash Accent 3 supports RDM protocol that allows feedback to make changes to menu map options.

Master/Slave Connectivity

The Master/Slave mode allows a COLORdash Accent 3 (the master) to control one or more COLORdash Accent 3 products (the slaves) without a DMX controller. One COLORdash Accent 3 becomes the master when running an auto program, or by being in Static mode.

You must configure each slave's control panel to operate in Slave mode. During Master/Slave operation, the slaves will operate in unison with the master.



DO NOT connect a DMX controller to products operating in Master/Slave mode. The DMX controller signals may interfere with the signals from the master.



- The [Operation](#) section of this manual provides detailed instructions on how to configure the master and slaves.
- **If you are not familiar with or need more information about DMX standards, or the DMX cables needed to link this product to a DMX controller, download the DMX Primer from the Chauvet website: www.chauvetprofessional.com.**

Setup

Mounting

Before mounting the product, read and follow the safety recommendations indicated in the [Safety Notes](#). For our CHAUVET Professional line of mounting clamps, go to <http://trusst.com/products/>.

Orientation

Always mount this product in a safe position, making sure there is adequate room for ventilation, configuration, and maintenance.

Rigging

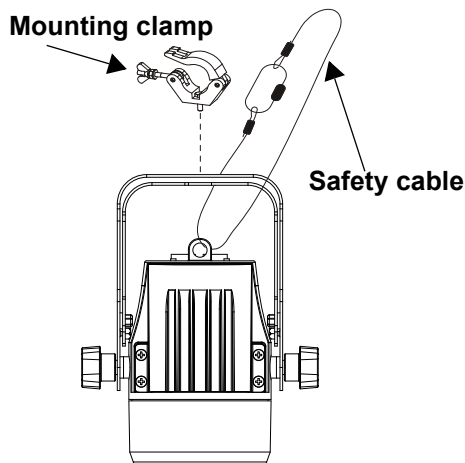
Chauvet recommends using the following general guidelines when mounting this product:

- When selecting an installation location, consider easy access to this product for operation, programming adjustments, and routine maintenance.
- When hanging this product, make sure that the mounting location can support the product's weight. See the [Technical Specifications](#) for the weight-bearing requirements of this product.
- When mounting the product overhead, always use a safety cable. Mount the product securely to a rigging point, whether an elevated platform or a truss.
- When rigging the product onto a truss, use a mounting clamp of appropriate weight capacity.
- When power linking multiple products, mount the products close enough for power-linking cables to reach.
- The bracket adjustment knobs allow for directional adjustment when aiming the product to the desired angle. Only loosen or tighten the bracket knobs manually. Using tools could damage the knobs.

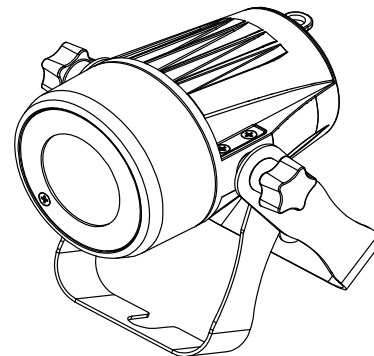
Procedure

The COLORdash Accent 3 comes with a double-bracketed yoke to which you can either attach a mounting clamp for hanging or simply use as a floor stand. Mounting clamps are sold separately. Make sure the clamps are capable of supporting the weight of this product. Use at least one mounting point per product. For the CHAUVET Professional line of mounting clamps, go to <http://www.trusst.com/products>.

Mounting Diagram



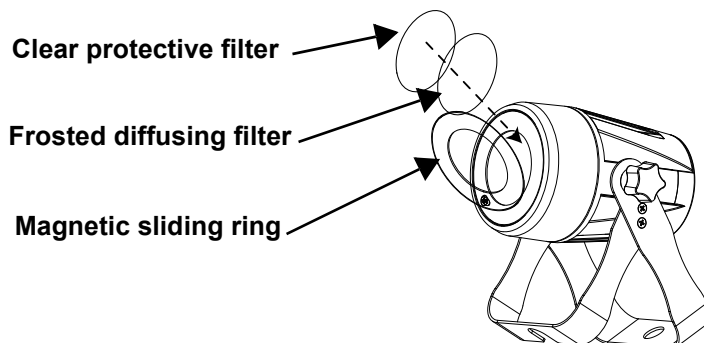
Overhead mounting



Floor mounting

Filters

The COLORdash Accent 3 comes with two removable filter films: 1) a frosted one that diffuses light output, and 2) a clear one that protects both the frosted film and the lens. Both can be attached to the product through the magnetic sliding ring on top of the lens.



4. Operation

Control Panel Operation

Button	Function
<MENU>	Exits from the current menu or function
<UP>	Enables the currently displayed menu or sets the currently selected value in to the current function
<DOWN>	Navigates upward through the menu list or increases the numeric value when in a function
<ENTER>	Navigates downward through the menu list or decreases the numeric value when in a function

Programming

Refer to the Menu Map to understand the menu options. The menu map shows the main level and a variable number of programming levels for each option.

- To go to the desired main level, press <MENU> repeatedly until the option shows on the display. Press <ENTER> to select. This will take you to the first programming level for that option.
- To select an option or value within the current programming level, press <UP> or <DOWN> until the option shows on the display. Press <ENTER> to select. In this case, if there is another programming level, you will see that first option, or you will see the selected value.
- Press <MENU> repeatedly to exit to the previous main level.

Configuration (DMX)

Use DMX configurations to operate the product with a DMX controller.

DMX Personalities

This setting allows a user to choose a particular DMX personality.

1. Go to **Personality** main level.
2. Select the desired personality (**Basic**, **Advanced**, or **HSIC**).
 - See the [DMX Control](#) section for the highest starting address recommended for each personality.
 - Make sure that the starting addresses on the various products do not overlap due to the new personality setting.



DMX Control

In this mode, each product will respond to a unique starting address from the DMX controller. All products with the same starting address will respond in unison.

1. Select a DMX personality as shown in [DMX Channel Assignments and Values](#).
2. Set the starting address:
 - a. Go to **DMX Address** main level.
 - b. Select the starting address (**000–509**).

The highest recommended starting address for each DMX mode is as follows:

DMX Personality	DMX Address
10 channels	503
6 channels	507
4 channels	509

Menu Map

Refer to the COLORdash Accent 3 product page on www.chauvetprofessional.com for the latest menu map.

Main Level	Programming Levels		Description
Start Address	1–509*		Selects DMX address (*highest channel restricted to personality chosen)
Personality	Basic		4 channels: RGBA
	Advanced		10 channels: 16-bit dimmer, RGBA, strobe, color macros, auto programs, dimmer speed
	HSIC		7 channels: intensity, hue, hue fine, saturation, color temperature, strobe, dimmer speed
Static Colors	Preset Colors	R G B A RG RB RA GB GA AB RGB RGA RBA GBA RGBA	Red Green Blue Amber Red + green Red + blue Red + amber Green + blue Green + amber Amber + blue Red + green + blue Red + green + amber Red + blue + amber Green + blue + amber Red + green + blue + amber
	Manual Color	Red Green Blue Amber	Combine red, green, blue, and amber to make a custom color (0–100%)

Main Level	Programming Levels				Description
Auto Programs	Run	AUTO. 1 AUTO. 2 AUTO. 3 AUTO. 4 AUTO. 5 AUTO. 6 AUTO. 7 AUTO. 8 AUTO. 9 AUTO. 10 User Program 1 User Program 2 User Program 3 User Program 4 User Program 5 User Program 6 User Program 7 User Program 8 User Program 9 User Program 10		SPEED 0–100	Preset automatic programs <hr/> Customizable programs
	Edit	User Program 1 User Program 2 User Program 3 User Program 4 User Program 5 User Program 6 User Program 7 User Program 8 User Program 9 User Program 10	SCENE-01–30	Red Green Blue Amber	0–255 Allows user to customize automatic programs
Master/Slave	Master				DMX mode (master)
	Slave				Slave mode
Dimmer Mode	OFF				Linear dimmer
	DIM1–4				Dimming curves: Dimmer 1 (fast) to Dimmer 4 (slow)
LED Frequency	600Hz 1200Hz 2000Hz 4000Hz 6000Hz 25000Hz				Sets the Pulse Width Modulation (PWM) frequency

Main Level	Programming Levels			Description	
Setting	DMX Error/Lost	Hold Last		Continue to last defined setting during DMX signal loss or DMX error	
		Blackout		Blackout during DMX signal loss or DMX error	
	Calibration	3200K	Red Green Blue Amber	0-255	Allows user to customize color temperature
		3400K			
		3500K			
		4000K			
		4200K			
		4500K			
		4900K			
		5600K			
6000K					
6500K					
7200K					
8000K					
8500K					
10000K					
Display Backlight	On		Display backlight remains on		
	10s		Turns off display backlight after 10 seconds of inactivity		
	30s		Turns off display backlight after 30 seconds of inactivity		
	2Min		Turns off display backlight after 2 minutes of inactivity		
Passcode	On		Turns on or off the passcode requirement for changing settings		
	Off		Password: <UP>, <DOWN>, <UP>, <DOWN>, <ENTER>		
Information	Fixture Hours	___Hours		Displays total hours the product has been powered on	
	Temperature	__C		Displays unit temperature in °C	
	Firmware Version	V__		Displays firmware version	
	Device Label	Accent 3		Displays product name	
	Device UID	-----		Displays product UID	
Factory Reset	No		Resets settings to factory default		
	Yes				

DMX Channel Assignments and Values

HSIC (7 Channels)

Channel	Function	Value	Percent/Setting
1	Intensity	000 ⇄ 255	0–100%
2	Hue	000 ⇄ 255	0–100%
3	Hue fine	000 ⇄ 255	0–100%
4	Saturation	000 ⇄ 255	0–100%
5	Color temperature	000 ⇄ 010	No function
		011 ⇄ 028	3200K
		029 ⇄ 046	3400K
		047 ⇄ 064	3500K
		065 ⇄ 082	4000K
		083 ⇄ 100	4200K
		101 ⇄ 118	4500K
		119 ⇄ 136	4900K
		137 ⇄ 154	5600K
		155 ⇄ 172	6000K
		173 ⇄ 190	6500K
		191 ⇄ 208	7200K
		209 ⇄ 226	8000K
227 ⇄ 244	8500K		
245 ⇄ 255	1000K		
6	Strobe	000 ⇄ 009	No function
		010 ⇄ 099	Strobe, slow to fast
		100 ⇄ 109	No function
		110 ⇄ 179	Lightning strobe, slow to fast
		180 ⇄ 189	No function
		190 ⇄ 255	Random strobe
7	Dimmer speed	000 ⇄ 009	Preset dimmer speed from display menu
		010 ⇄ 029	Dimming curve off (linear dimmer)
		030 ⇄ 069	Nonlinear dimming curve 1 (fastest)
		070 ⇄ 129	Nonlinear dimming curve 2
		130 ⇄ 189	Nonlinear dimming curve 3
		190 ⇄ 255	Nonlinear dimming curve 4 (slowest)

Operation

Advanced (10 Channels)

Channel	Function	Value	Percent/Setting
1	Dimmer	000 ⇄ 255	0–100%
2	Dimmer fine	000 ⇄ 255	0–100%
3	Red	000 ⇄ 255	0–100%
4	Green	000 ⇄ 255	0–100%
5	Blue	000 ⇄ 255	0–100%
6	Amber	000 ⇄ 255	0–100%
7	Strobe	000 ⇄ 009	No function
		010 ⇄ 099	Strobe, slow to fast
		100 ⇄ 109	No function
		110 ⇄ 179	Lightning strobe, slow to fast
		180 ⇄ 189	No function
		190 ⇄ 255	Random strobe
8	Color macros	000 ⇄ 010	No function
		011 ⇄ 030	Red: 100% Green: Up Blue: 0%
		031 ⇄ 050	Red: Down Green: 100% Blue: 0%
		051 ⇄ 070	Red: 0% Green: 100% Blue: Up
		091 ⇄ 110	Red: Up Green: 0% Blue: 100%
		111 ⇄ 130	Red: 100% Green: 0% Blue: Down
		131 ⇄ 150	Red: 100% Green: Up Blue: Up
		151 ⇄ 170	Red: Down Green: Down Blue: 100%
		171 ⇄ 195	All LED at full output
		196 ⇄ 199	3200K
		200 ⇄ 203	3400K
		204 ⇄ 207	3500K
		208 ⇄ 211	4000K
		212 ⇄ 215	4200K
		216 ⇄ 219	4500K
		220 ⇄ 223	4900K
		224 ⇄ 227	5600K
		228 ⇄ 231	6000K
		232 ⇄ 235	6500K
		236 ⇄ 239	7200K
		240 ⇄ 243	8000K
		244 ⇄ 247	8500K
248 ⇄ 255	1000K		

Channel	Function	Value	Percent/Setting
9	Auto programs	000 ⇄ 040	No function
		041 ⇄ 050	Auto 1
		051 ⇄ 060	Auto 2
		061 ⇄ 070	Auto 3
		071 ⇄ 080	Auto 4
		081 ⇄ 090	Auto 5
		091 ⇄ 100	Auto 6
		101 ⇄ 110	Auto 7
		111 ⇄ 120	Auto 8
		121 ⇄ 130	Auto 9
		131 ⇄ 140	Auto 10
		141 ⇄ 150	Program 1
		151 ⇄ 160	Program 2
		161 ⇄ 170	Program 3
		171 ⇄ 180	Program 4
		181 ⇄ 190	Program 5
191 ⇄ 200	Program 6		
201 ⇄ 210	Program 7		
211 ⇄ 220	Program 8		
221 ⇄ 230	Program 9		
231 ⇄ 240	Program 10		
241 ⇄ 255	Auto speed adjustment		
10	Dimmer speed	000 ⇄ 009	Preset dimmer speed from display menu
		010 ⇄ 029	Dimming curve Off
		030 ⇄ 069	Dimmer 1 (fastest)
		070 ⇄ 129	Dimmer 2
		130 ⇄ 189	Dimmer 3
		190 ⇄ 255	Dimmer 4 (slowest)

Basic (4 Channels)

Channel	Function	Value	Percent/Setting
1	Red	000 ⇄ 255	0–100%
2	Green	000 ⇄ 255	0–100%
3	Blue	000 ⇄ 255	0–100%
4	Amber	000 ⇄ 255	0–100%

Operation

Configuration (Standalone)

Use standalone configuration to operate the product without a DMX controller.



Never connect a product that is operating in any standalone mode to a DMX string connected to a DMX controller. Products in standalone mode may transmit DMX signals that could interfere with the DMX signals from the controller.

Static Colors

The Static Colors mode allows for permanent color presets without a DMX controller.

1. Go to the **Static Colors** main level.
2. Select **Preset Colors** or **Manual Color**.
3. For **Preset Colors**:
 - a. Select the desired preset color (**R, G, B, A, RG, RB, RA, GB, GA, AB, RGB, RGA, GBA, or RGBA**).
- For **Manual Color**:
 - a. Select the desired color (**Red, Green, Blue, or Amber**).
 - b. Set the desired value for the selected color (**0–255**).
 - c. Repeat steps a-b until the static color is set as desired.

Automatic Programs

The Auto Programs mode allows for playing back preset or customizable programs.

Run

To run a preset or customized automatic program:

1. Go to the **Auto Programs** main level.
2. Select **Run**.
3. Select the desired program (**AUTO. 1–10** or **User Program 1–10**).
4. Set the desired run speed (**0–100**).

Edit

To edit a customizable auto program:

1. Go to the **Auto Programs** main level.
2. Select **Edit**.
3. Select the desired program (**User Program 1–10**).
4. Select the desired scene (**Scene 01–30**).
5. Select the desired color or setting (**Red, Green, Blue, or Amber**).
6. Set the desired value for the selected option (**0–255**).
7. Repeat steps 4-6 until the scene is set as desired.

Configuration (Settings)

Master/Slave

The Master/Slave mode allows a group of COLORdash Accent 3 products (the slaves) to simultaneously duplicate the output of another COLORdash Accent 3 (the master) without a DMX controller. To set each of the slaves:

1. Go to the **Master/Slave** main level.
2. Select **Slave**.

To set the master:

1. Go to the **Master/Slave** main level.
2. Select **Master**.
3. Select a static setting.



- **The master is the one that runs a program whether in Auto or Static mode.**
- **Do not connect a DMX controller to the products configured for Master/Slave operation. The DMX controller may interfere with signals from the master.**
- **The master should be the first product in the daisy chain.**

Dimmer Profiles

This setting determines how fast the output of the COLORdash Accent 3 changes when you modify the output value. This setting provides four different options to simulate the dimming curve of an incandescent lighting product.

1. Go to the **Dimmer Mode** main level.
2. Select a dimmer curve (**OFF**, **DIM1**, **DIM2**, **DIM3**, or **DIM4**).



Off: The output is proportional (linear) to the dimmer channel value.

DIM1–4: The output follows the dimmer value based on the corresponding dimmer curve, **DIM1** being the fastest.

LED Frequency

This option changes the Pulse Width Modulation (PWM) frequency of the LEDs on the COLORdash Accent 3.

1. Go to the **LED Frequency** main level.
2. Select PWM Frequency (**600Hz**, **1200Hz**, **2000Hz**, **4000Hz**, **6000Hz**, or **25000Hz**).

DMX Error/Loss

This option determines what happens if a DMX signal is lost or an error occurs.

1. Go to the **Setting** main level.
2. After being prompted to enter the passcode, press **<UP>**, **<DOWN>**, **<UP>**, **<DOWN>**, **<ENTER>**.
3. Select **DMX Error/Loss**.
4. Select **Hold Last** (continues the last received command) or **Blackout** (blacks out the product).

Operation

Calibration

This option allows users to customize color temperature output.

1. Go to the **Setting** main level.
2. After being prompted to enter the passcode, press **<UP>**, **<DOWN>**, **<UP>**, **<DOWN>**, **<ENTER>**.
3. Select **Calibration**.
4. Select the desired color temperature (**3200K**, **3400K**, **3500K**, **4000K**, **4200K**, **4500K**, **4900K**, **5600K**, **6000K**, **6500K**, **7200K**, **8000K**, **8500K**, or **10000K**).
5. Select the desired color (**Red**, **Green**, **Blue**, or **Amber**).
6. Set the desired value for the selected option (**0–255**).
7. Repeat steps 4–6 until desired color calibration is achieved.

Display Timeout

This setting allows for selection of the amount of time the display backlight on the COLORdash Accent 3 stays on after the last button is pressed on the control panel.

1. Go to the **Setting** main level.
2. After being prompted to enter the passcode, press **<UP>**, **<DOWN>**, **<UP>**, **<DOWN>**, **<ENTER>**.
3. Select **Display Backlight**.
4. Select **On** (remains on), **10s** (10 seconds), **30s** (30 seconds), or **2Min** (2 minutes).

Passcode

This option activates/deactivates the password requirement for changing the unit's settings.

1. Go to the **Setting** main level.
2. After being prompted to enter the passcode, press **<UP>**, **<DOWN>**, **<UP>**, **<DOWN>**, **<ENTER>**.
3. Select **Passcode**.
4. Select **On** (passcode is required) or **Off** (passcode is not required).

System Information

This option displays the total number of hours the product has run, the installed software version, the product's temperature, and the product's UID.

1. Go to the **Information** main level.
2. Select **Fixture Hours**, **Temperature**, **Firmware Version**, **Device Label**, or **Device UID**.

Factory Reset

This option restores the COLORdash Accent 3 to factory default settings.

1. Go to the **Factory Reset** main level.
2. After being prompted to enter the passcode, press **<UP>**, **<DOWN>**, **<UP>**, **<DOWN>**, **<ENTER>**.
3. Select **No** (keep current settings) or **Yes** (reset to default factory settings).

5. Maintenance

Product Maintenance

Dust build-up reduces light output performance and can cause overheating. This can lead to reduction of the light source's life and/or mechanical wear. To maintain optimum performance and minimize wear, clean your lighting products at least twice a month. However, be aware that usage and environmental conditions could be contributing factors to increase the cleaning frequency.

To clean the product, follow the instructions below:

1. Unplug the product from power.
2. Wait until the product is at room temperature.
3. Use a vacuum (or dry compressed air) and a soft brush to remove dust collected on the external surface/vents.
4. Clean all transparent surfaces with a mild soap solution, ammonia-free glass cleaner, or isopropyl alcohol.
5. Apply the solution directly to a soft, lint-free cotton cloth or a lens-cleaning tissue.
6. Softly drag any dirt or grime to the outside of the transparent surface.
7. Gently polish the transparent surfaces until they are free of haze and lint.



Always dry the transparent surfaces carefully after cleaning them.

Technical Specifications

6. Technical Specifications

Dimensions and Weight

Length	Width	Height	Weight
6.42 in (163 mm)	5.54 in (133 mm)	3.13 in (80 mm)	2 lb (0.9 kg)

Note: Dimensions in inches are rounded.

Power

Power Supply Type	Range	Voltage Selection
Switching (internal)	100 to 240 VAC, 50/60 Hz	Auto-ranging

Parameter	120 V, 60 Hz	208 V, 60 Hz	230 V, 50 Hz
Consumption	17 W	16 W	16 W
Operating current	0.136 A	0.081 A	0.078 A

Power I/O	U.S./Worldwide	UK/Europe
Power input connector	Hardwired	Hardwired
Power output connector	Hardwired	Hardwired
Power cord plug	Edison (U.S.)	Local Plug

Light Source

Type	Color	Quantity	Power	Current	Lifespan
LED	quad-color RGBA	1	20 W	950 mA	50,000 hours

Photometrics (without Filter)

Installed Optics	Beam Angle (w/ filter)	Beam Angle (w/o filter)	Field Angle (w/ filter)	Field Angle (w/o filter)	Illuminance @ 5 m (w/ filter)	Illuminance @ 5 m (w/o filter)
7°	14°	9°	27°	16°	175 lux	486 lux

Thermal

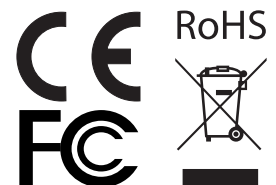
Maximum External Temperature	Cooling System
113 °F (45 °C)	Convection

Control

I/O Connector	Channel Range
5-pin XLR DMX input and output cable whips	4, 7, or 10 channels

Ordering

Product Name	Item Name	Item Code	UPC Number
COLORDash Accent 3	COLORDASHACCENT3	01031570	781462219185



Returns

Send the product prepaid, in the original box, and with the original packing and accessories. Chauvet will not issue call tags.

Call Chauvet and request a Return Merchandise Authorization (RMA) number before shipping the product. Be prepared to provide the model number, serial number, and a brief description of the cause(s) for the return.

To submit a service request online, go to www.chauvetprofessional.com/service-request.

Clearly label the package with an RMA number. Chauvet will refuse any product returned without an RMA number.



Write the RMA number on a properly affixed label. DO NOT write the RMA number directly on the box.

Before sending the product, clearly write the following information on a piece of paper and place it inside the box:

- Your name
- Your address
- Your phone number
- RMA number
- A brief description of the problem

Be sure to pack the product properly. Any shipping damage resulting from inadequate packaging will be your responsibility. FedEx packing or double-boxing are recommended.



Chauvet reserves the right to use its own discretion to repair or replace returned product(s).

Contact Us

General Information	Technical Support
Chauvet World Headquarters	
Address: 5200 NW 108th Ave. Sunrise, FL 33351 Voice: (954) 577-4455 Fax: (954) 929-5560 Toll Free: (800) 762-1084	Voice: (844) 393-7575 Fax: (954) 756-8015 Email: chauvetcs@chauvetlighting.com Website: www.chauvetprofessional.com
Chauvet Europe Ltd	
Address: Unit 1C Brookhill Road Industrial Estate Pinxton, Nottingham, UK NG16 6NT Voice: +44 (0) 1773 511115 Fax: +44 (0) 1773 511110	Email: UKtech@chauvetlighting.eu Website: www.chauvetprofessional.eu
Chauvet Europe BVBA	
Address: Stokstraat 18 9770 Kruishoutem Belgium Voice: +32 9 388 93 97	Email: BNLtech@chauvetlighting.eu Website: www.chauvetprofessional.eu
Chauvet France	
Address: 3, Rue Ampère 91380 Chilly-Mazarin France Voice: +33 1 78 85 33 59	Email: FRtech@chauvetlighting.fr Website: www.chauvetprofessional.eu
Chauvet Germany	
Address: Bruno-Bürgel-Str. 11 28759 Bremen Germany Voice: +49 421 62 60 20	Email: DEtech@chauvetlighting.de Website: www.chauvetprofessional.eu
Chauvet Mexico	
Address: Av. de las Partidas 34 - 3B (Entrance by Calle 2) Zona Industrial Lerma Lerma, Edo. de México, CP 52000 Voice: +52 (728) 690-2010	Email: servicio@chauvet.com.mx Website: www.chauvetprofessional.mx

Visit the applicable website above to verify our contact information and instructions to request support. Outside the U.S., U.K., Ireland, Benelux, France, Germany, or Mexico, contact the dealer of record.