

# G62

## Quick Start Guide



### Download Product Manual

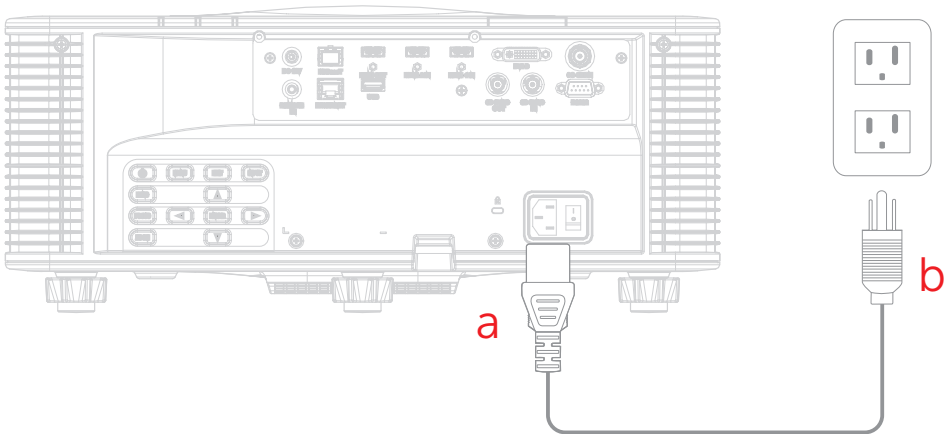
Product manuals and documentation are available online at [www.barco.com/td/R9010263](http://www.barco.com/td/R9010263)  
Registration may be required; follow the instructions given on the website.

#### IMPORTANT!

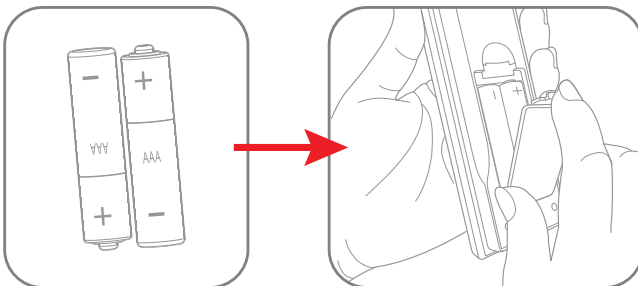
Read Installation Instructions before connecting equipment to the mains power supply.



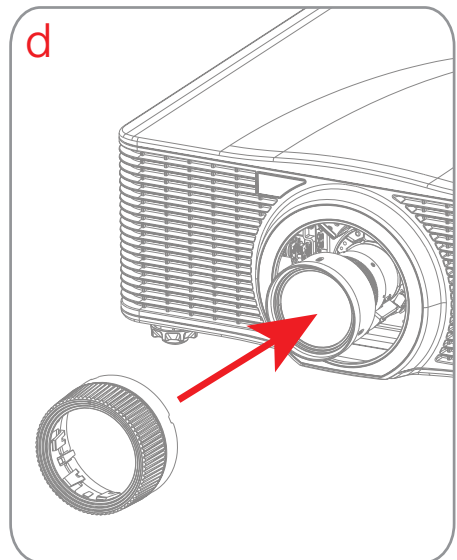
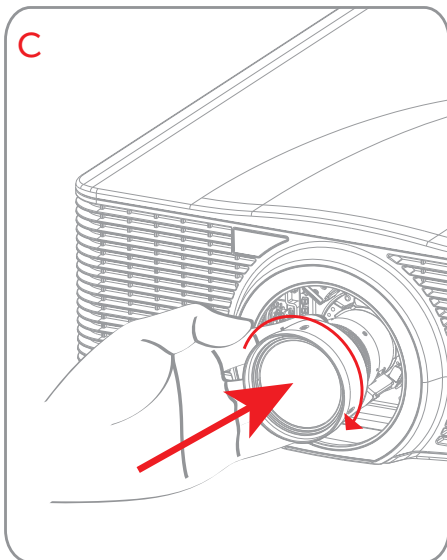
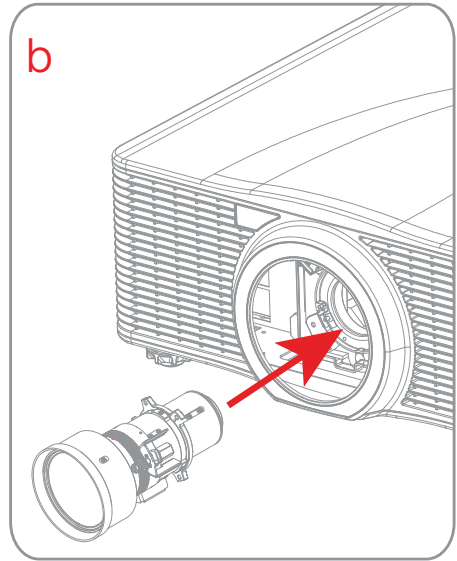
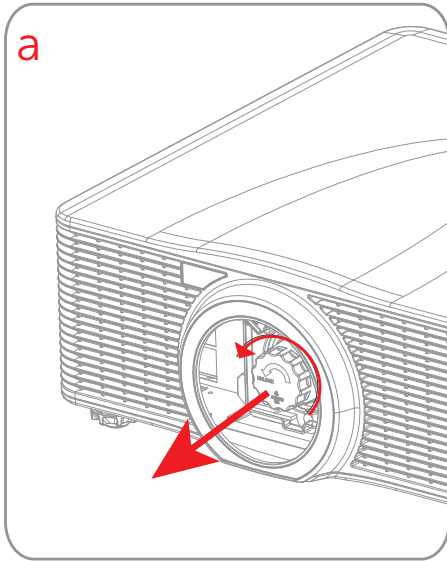
### 1) Connect power



### 2) Install RCU batteries

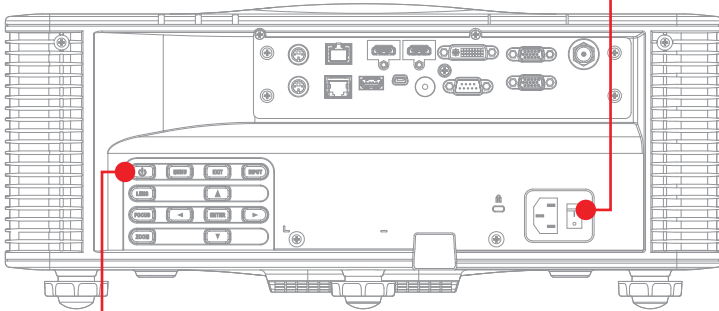
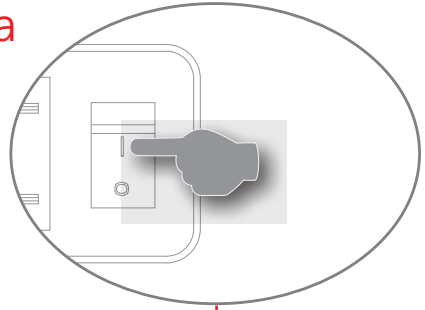


### 3) Install lens

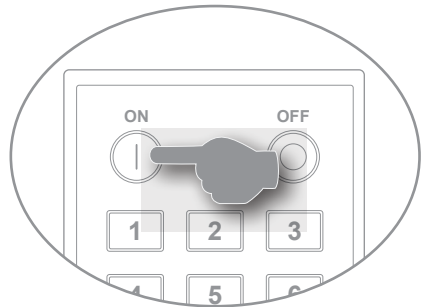
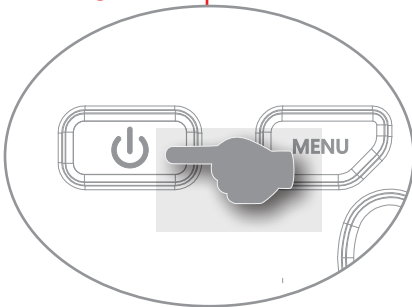


## 4 ) Power on

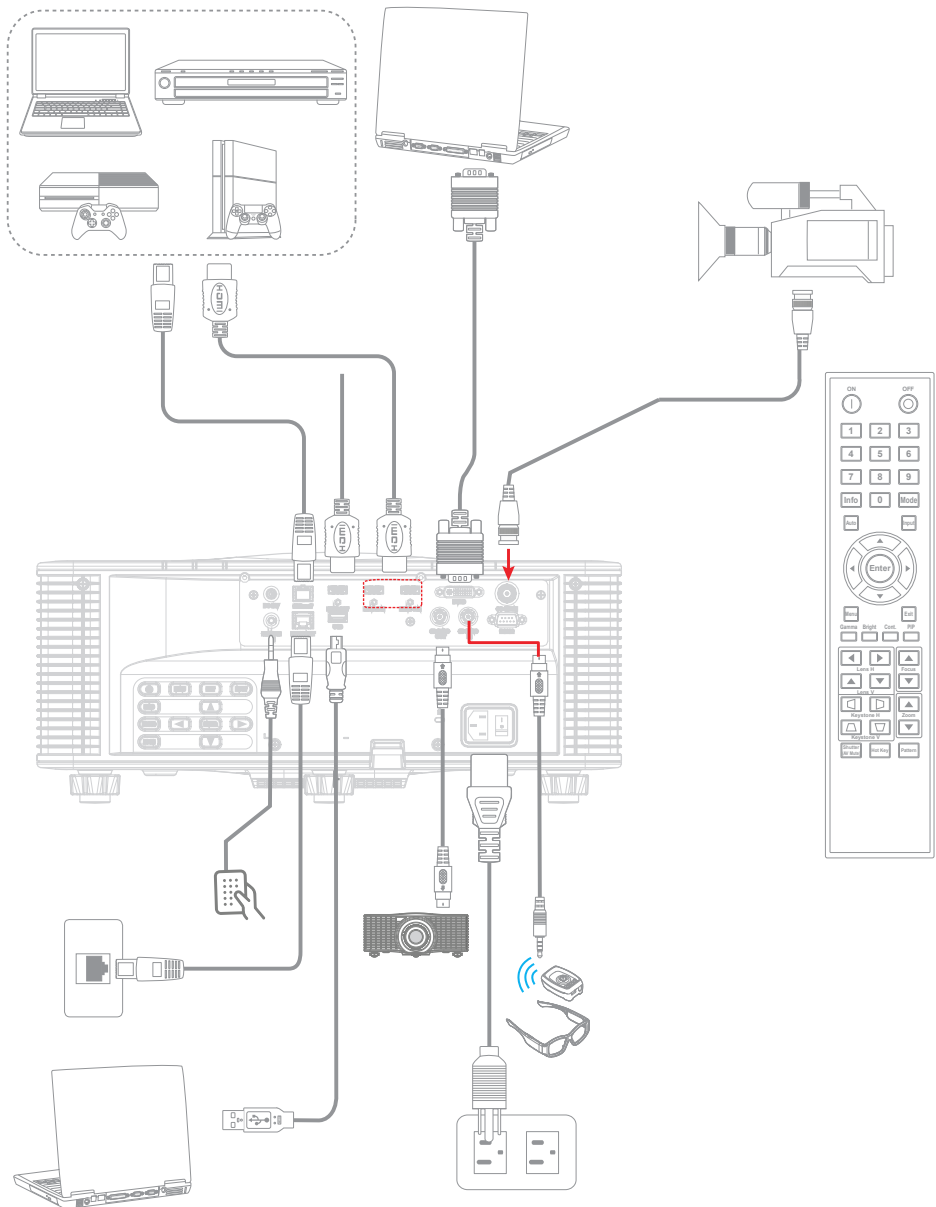
a



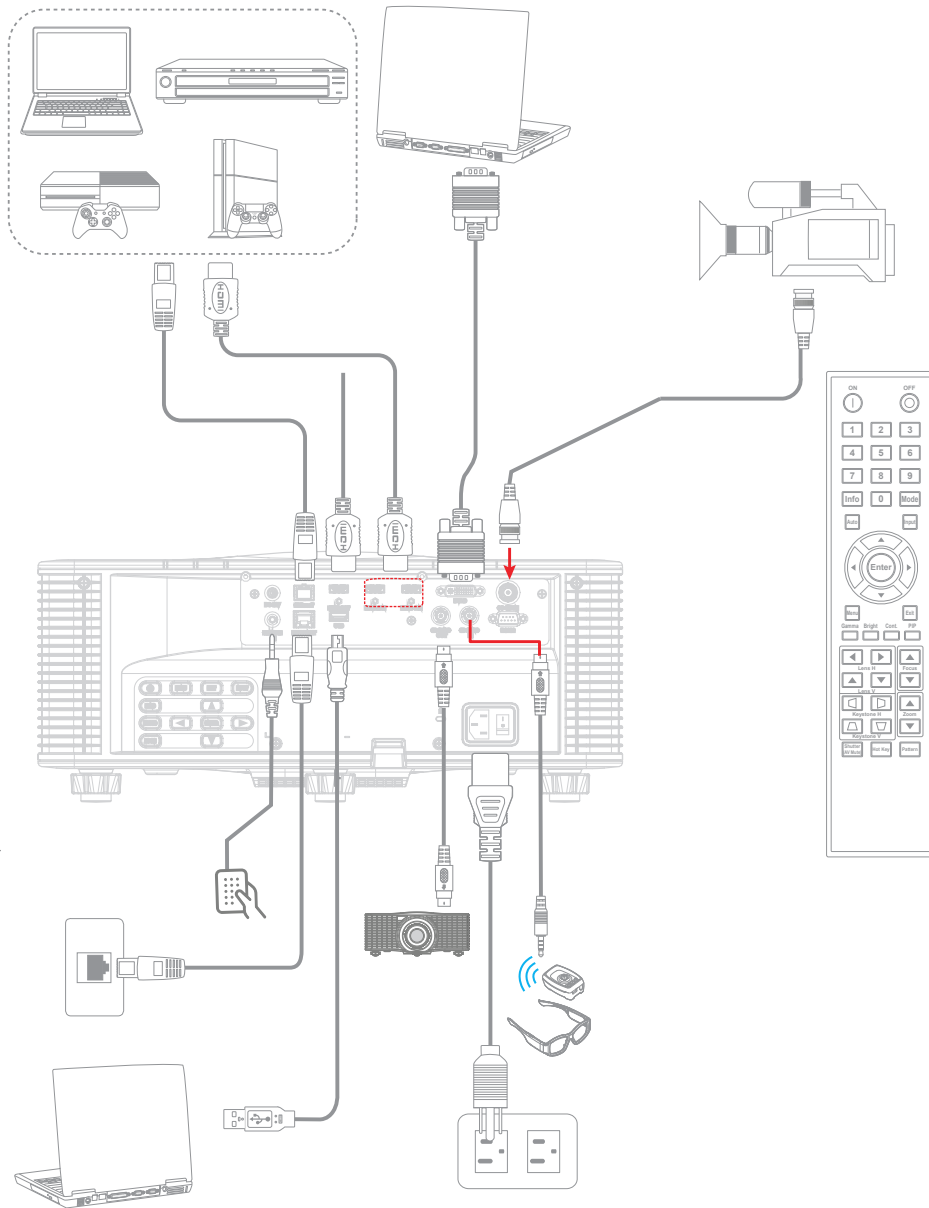
b



## 5) Connect & select source



## 5) Connect & select source



# G62

## Quick Start Guide



### Download Product Manual

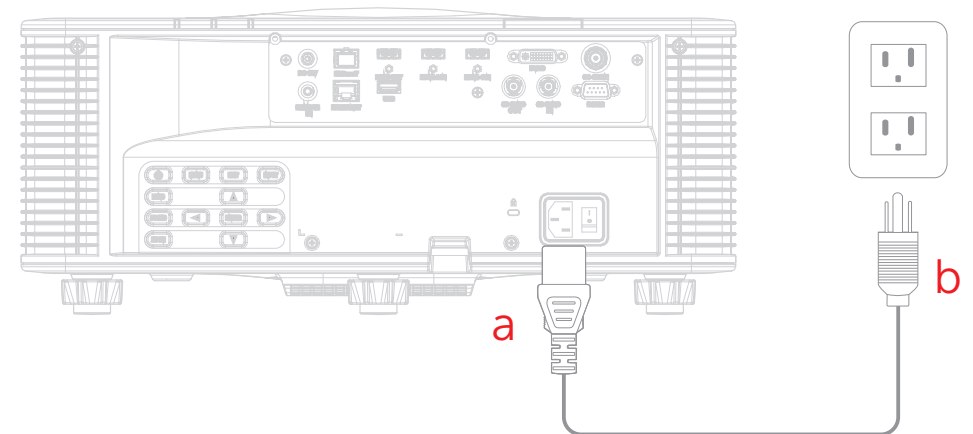
Product manuals and documentation are available online at [www.barco.com/td/R9010263](http://www.barco.com/td/R9010263). Registration may be required; follow the instructions given on the website.

#### IMPORTANT!

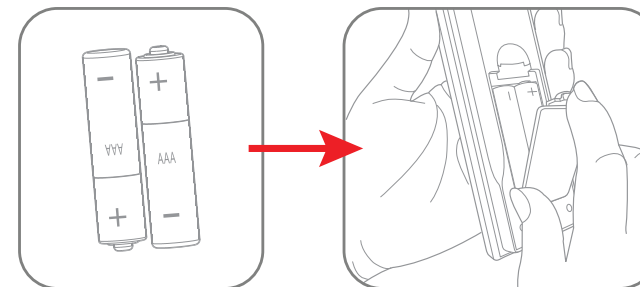
Read Installation Instructions before connecting equipment to the mains power supply.



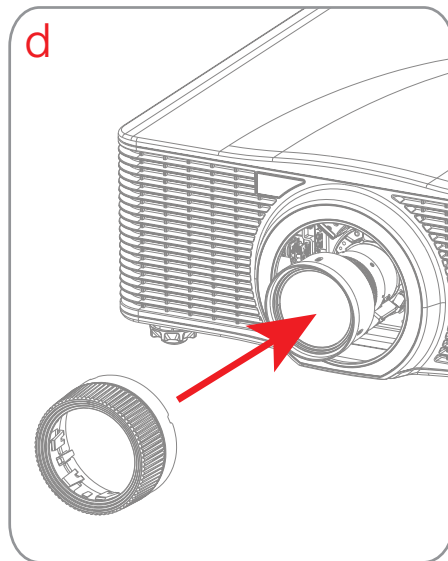
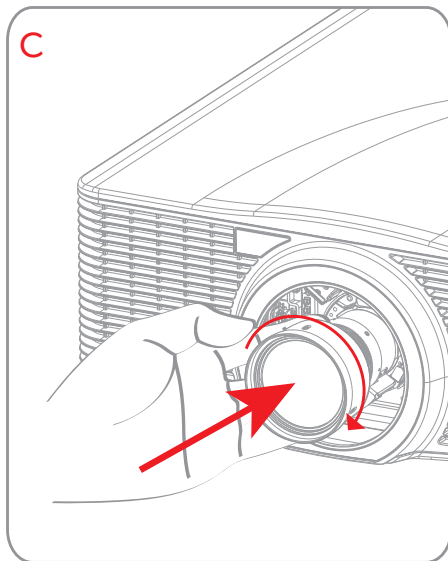
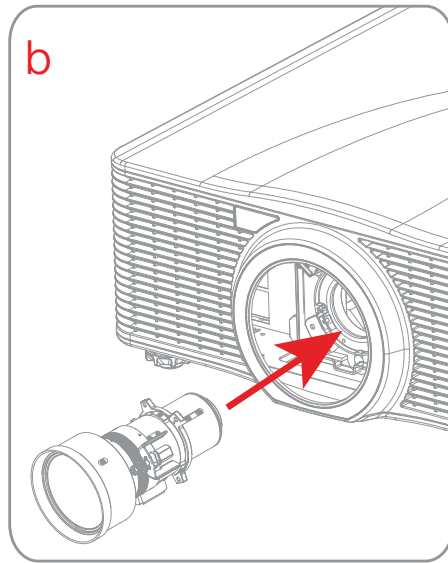
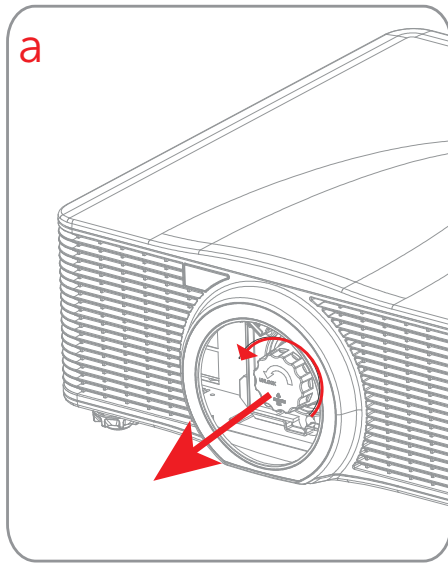
## 1) Connect power



## 2) Install RCU batteries



### 3 ) Install lens



### 4 ) Power on

