

Zoom Lens

This zoom lens is designed for use with Panasonic's applicable projectors. The lens makes it possible to vary the projection distance by changing the focal distance.

NOTE: Please use the lens only on the specified Panasonic projector.

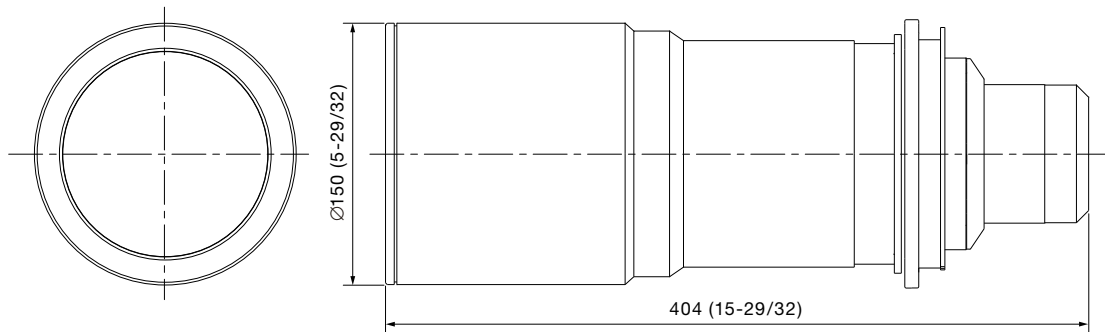
Specifications

| | |
|-------------------------|--|
| F value: | 2.5-2.7 |
| Focal distance (f): | 154 - 289 mm |
| Throw ratio: | 7.3-13.8:1 for PT-DZ21K/DZ13K/DZ10K/DZ8700/DZ110X (16:10 aspect ratio), 7.9-15.0:1 for PT-DS20K/DS12K/DS8500/DS100X (4:3 aspect ratio), 8.2-15.4:1 for PT-DW17K/DW11K/DW8300/DW90X (16:9 aspect ratio) |
| Dimensions (W × H × D): | 150 × 150 × 404 mm (5-29/32 × 5-29/32 × 15-29/32 inches) |
| Weight: | Approximately 8.5 kg* (18.7 lbs*) |
| Applicable projector: | PT-DZ21K/DS20K/DW17K/DZ13K/DS12K/DW11K/DZ10K/DZ8700/DS8500/ DW8300/DZ110X/DS100X/DW90X |

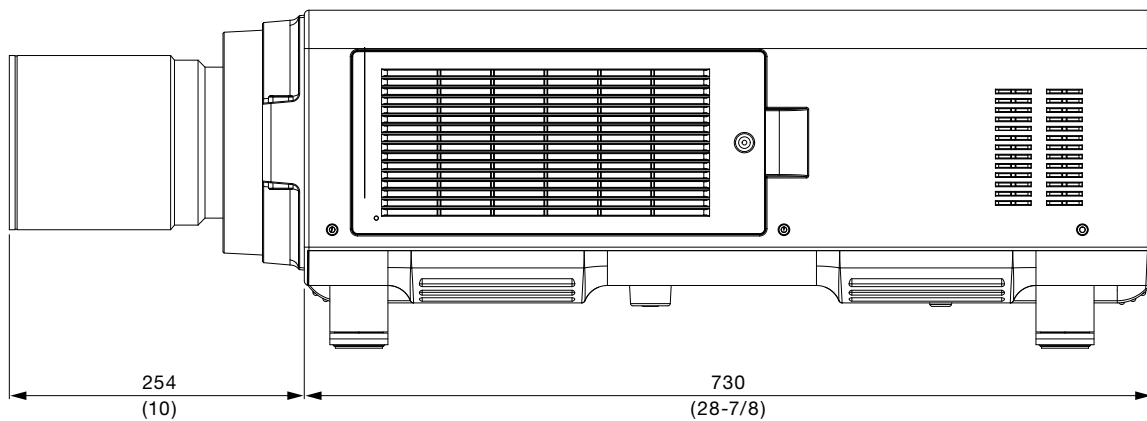
* Average value. May differ depending on the actual unit.
The throw ratio is an approximate value calculated by dividing the screen width by the projection distance.

Dimensions

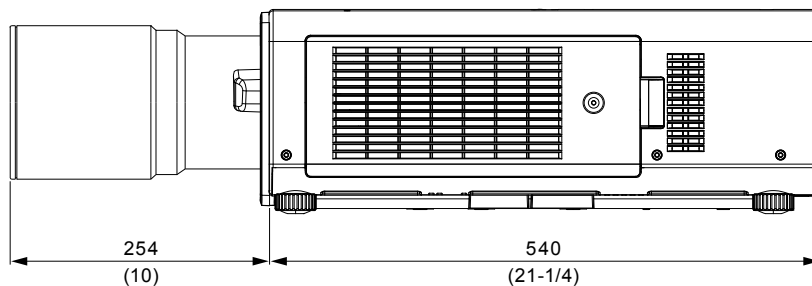
unit : mm (inch)



The illustration shows the lens attached to the PT-DZ21K/DS20K/DW17K.



The illustration shows the lens attached to the DZ13K/DS12K/DW11K/DZ10K.
The PT-DZ8700/DS8500/DW8300/DZ110X/DS100X/DW90X has the same dimensions.



NOTE: Please read the projector's instruction manual for throw distances. Illustrations shown are not drawn to scale.
Weights and dimensions shown are approximate. Specifications subject to change without notice.