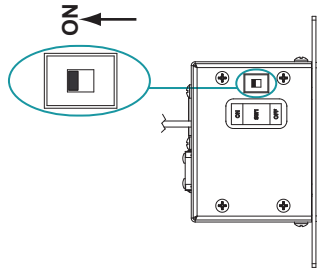


1 Introduction

The Crestron® HD-EXT4-C consists of the HD-TX4-C transmitter and the HD-RX4-C receiver. The HD-EXT4-C transmits uncompressed high-definition digital video and audio up to 330 feet (100 meters) over a single CAT5e cable. Analog audio can be transmitted using a second CAT5e cable. 4K video is supported up to 230 feet (70 meters).

2 SW1 DIP Switch Setting (HD-TX4-C Only)

The SW1 DIP switch on the HD-TX4-C controls the hot plug detect (HPD) signal. Before installing the HD-TX4-C, locate the SW1 DIP switch on the left side of the unit and observe that the switch is set in the ON position (default setting). When set to ON, the HPD signal is sent from the display device on the HD-RX4-C to the source device on the HD-TX4-C.



NOTE: The OFF position of the SW1 DIP switch is reserved for factory use only.

3 Mounting

Mount the HD-TX4-C and HD-RX4-C in any of the following ways as appropriate for the installation:

- (HD-TX4-C only) In a 1-gang electrical box
- On a flat surface
- On a rack rail

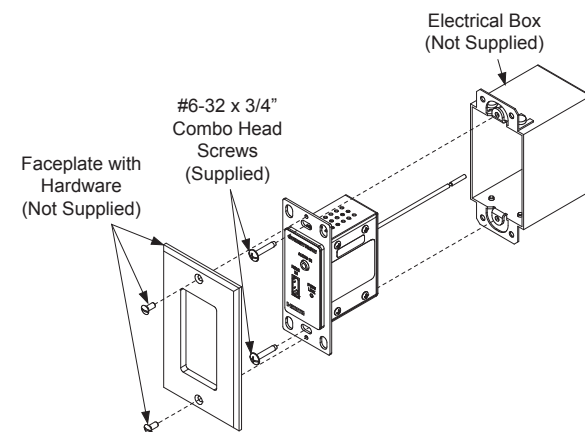
Mounting the HD-TX4-C in a 1-Gang Electrical Box

NOTE: The recommended depth of the electrical box (not supplied) is a minimum of 2.5 inches (64 mm).

NOTE: Connect the rear of the HD-TX4-C as described in section 4 before mounting the unit in an electrical box.

Do the following:

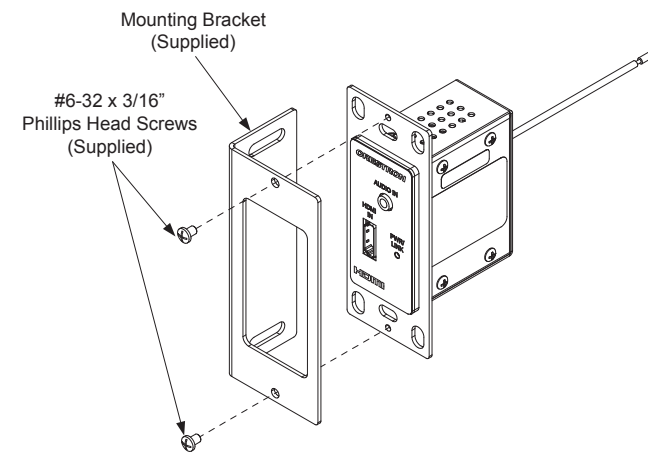
1. Using two #6-32 x 3/4 inch combo head screws (supplied), mount the HD-TX4-C in a 1-gang electrical box.
2. Attach the desired decorator style faceplate (not supplied).



Mounting the HD-TX4-C on a Flat Surface

Do the following:

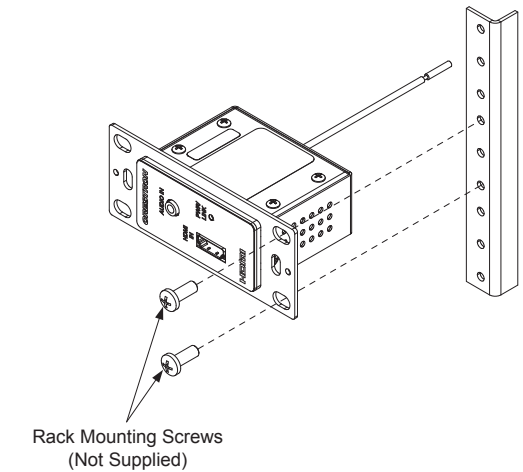
1. Using the appropriate hardware (not supplied), attach the mounting bracket (supplied) to a flat surface.
2. Using two #6-32 x 3/16 inch Phillips head screws (supplied), attach the transmitter to the bracket.



Mounting the HD-TX4-C on a Rack Rail

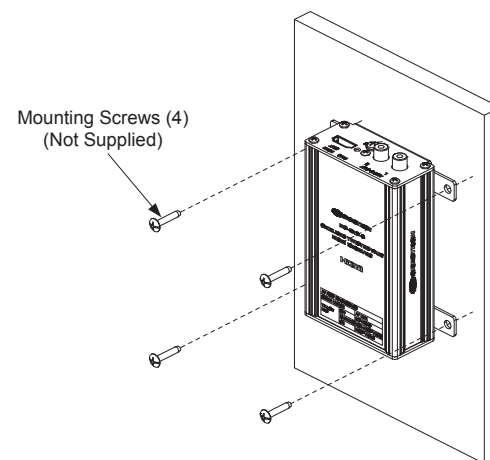
Mount the HD-TX4-C on the front or rear rail of a rack as follows:

1. Position the HD-TX4-C horizontally so that the holes of the left or right mounting flange align with the holes in the rack (mounting of right mounting flange is shown below).
2. Secure the device to the rack using two rack mounting screws (not supplied).



Mounting the HD-RX4-C on a Flat Surface

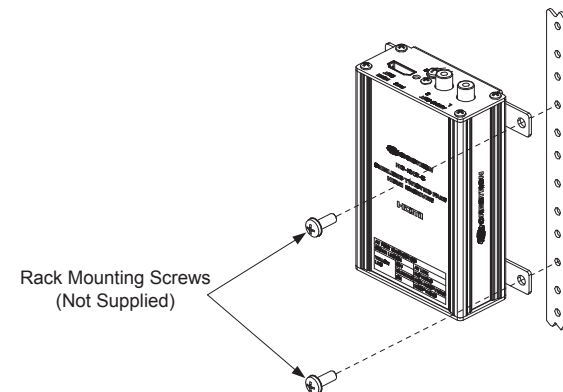
Using four mounting screws (not supplied), attach the HD-RX4-C to a flat surface. Mounting of the HD-RX4-C on a wall is shown below.



Mounting the HD-RX4-C on a Rack Rail

Mount the HD-RX4-C on the front or rear rail of a rack as follows:

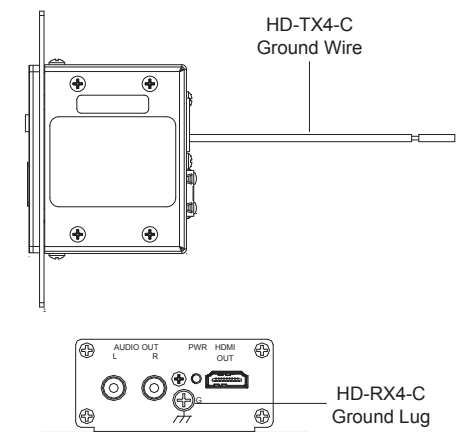
1. Position either the left or right mounting flanges of the device so that the holes align with the holes in the rack (mounting of right mounting flanges is shown below).
2. Secure the device to the rack using two rack mounting screws (not supplied).



4 Connections

Connecting to Ground

Connect the ground wire on the HD-TX4-C and the chassis ground lug on the HD-RX4-C to earth ground (building steel).



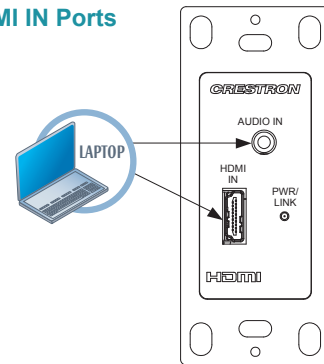
HD-EXT4-C

4K HDMI® over HDBaseT® Extender with Analog Audio

Connecting the HD-TX4-C AUDIO IN and HDMI IN Ports

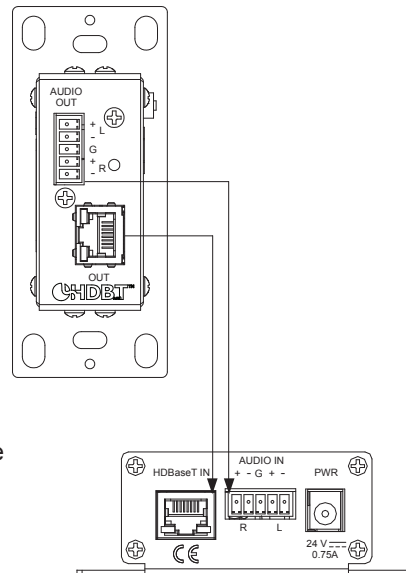
Connecting the AUDIO IN Port. Using an unbalanced 3.5 mm TRS mini phone jack cable (not supplied), connect the **AUDIO IN** port to an unbalanced audio source.

Connecting the HDMI IN Port. Using an HDMI® cable (not supplied), connect the **HDMI IN** port to the HDMI output port of the audio/video source.



Connecting the HD-TX4-C AUDIO OUT and HD-RX4-C AUDIO IN Ports

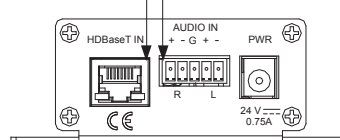
Using a CAT5e STP (shielded twisted pair) or UTP (unshielded twisted pair) cable (not supplied) and the supplied 5-pin connectors, connect the **AUDIO OUT** port on the HD-TX4-C to the **AUDIO IN** port on the HD-RX4-C.



NOTE: For improved audio performance and noise immunity, it is recommended that STP cable be used.

Connecting the HD-TX4-C and HD-RX4-C HDBaseT Ports

Connect the HDBaseT® **OUT** port on the HD-TX4-C to the **HDBaseT IN** port on the HD-RX4-C. For resolutions up to 1600 x 1200 and 1920 x 1200 (including 1080p60 and 2K), maximum wire length is 330 feet (100 meters) using Crestron DM-CBL-8G, DM-CBL, DM-CBL-D, or third-party CAT5e (or better) UTP or STP cable. For higher resolutions (including 4K), maximum wire length is 230 feet (70 meters) using DM-CBL-8G or 165 feet (50 meters) using DM-CBL, DM-CBL-D, or third-party CAT5e cable. (All wire and cables are sold separately.)



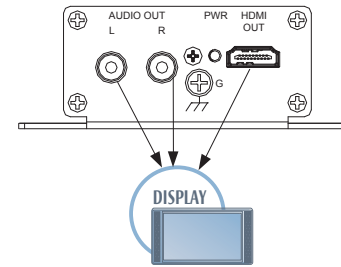
NOTE: Shielded cable and connectors are recommended to safeguard against unpredictable environmental electrical noise which may impact performance at resolutions above 1080p.

DM-CBL-8G cable is recommended for optimum performance and ESD (electrostatic discharge) protection.

Connecting the HD-RX4-C AUDIO OUT and HDMI OUT Ports

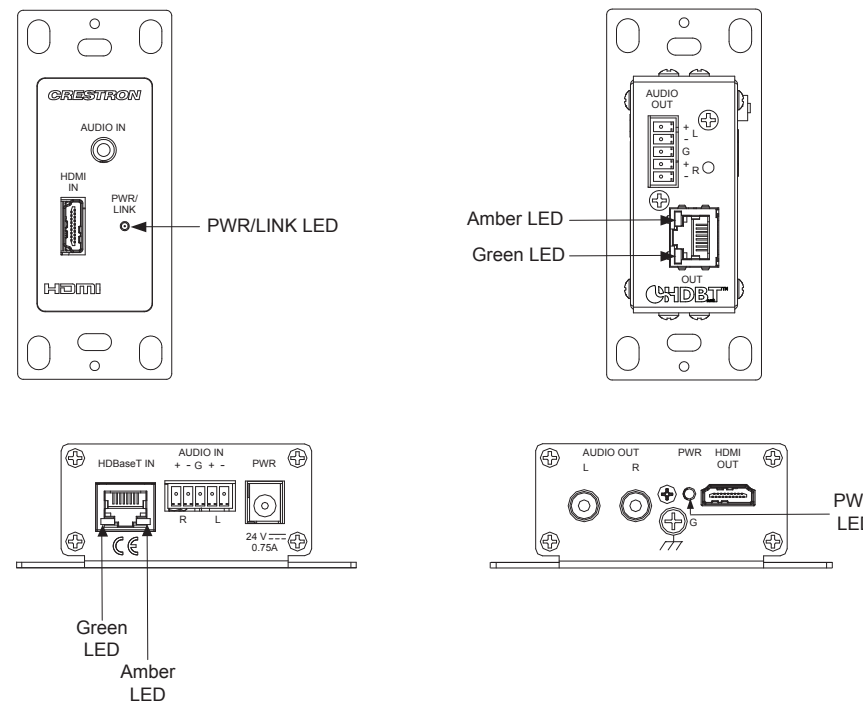
Connecting the AUDIO OUT Port. Using an RCA cable (not supplied), connect the two RCA jacks (L and R) to an audio output device.

Connecting the HDMI OUT Port. Using an HDMI cable (not supplied), connect the **HDMI OUT** port to the HDMI input of the receiving device.



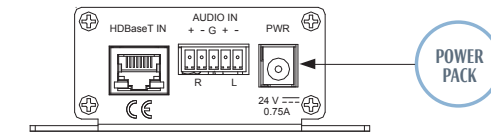
5 LED Indicators

LED indicators are provided on the HD-TX4-C and HD-RX4-C.



Connecting the HD-RX4-C Power Connector

Using the supplied 24 Vdc power pack, connect the power pack to the 24 Vdc power connector on the HD-RX4-C.



The power pack connected to the HD-RX4-C powers both the HD-RX4-C and the HD-TX4-C. Power is transmitted over the cable that connects the HDBaseT ports on the HD-RX4-C and HD-TX4-C.

NOTE: The HD-RX4-C and HD-TX4-C are not Power over HDBaseT (PoH) compatible; that is, the devices cannot be powered by or supply power to another HDBaseT device.

LED INDICATOR	COLOR	DESCRIPTION
PWR/LINK (HD-TX4-C Only)	Blinking green	The HD-TX4-C is powered on but a link is not established with the HD-RX4-C.
	Solid green	The HD-TX4-C is powered on and a link is established with the HD-RX4-C; however, HDMI video is not detected on the HDMI input of the HD-RX4-C.
	Solid amber	The HD-TX4-C is powered on, a link is established with the HD-RX4-C, and devices connected to the HDMI ports of the HD-TX4-C and HD-RX4-C are connected and powered on.
	Off	The HD-TX4-C is not powered on.
HDBaseT OUT HDBaseT IN	Green	A link is established with the remote HD-TX4-C or HD-RX4-C device.
	Blinking amber	Non-HDCP video is detected.
	Solid amber	HDCP video is detected.
	Amber off	HDMI video is not detected.
PWR (HD-RX4-C Only)	Green	The HD-RX4-C is powered on.
	Off	The HD-RX4-C is not powered on.

The specific patents that cover Crestron products are listed at patents.crestron.com.

Crestron and the Crestron logo are either trademarks or registered trademarks of Crestron Electronics, Inc. in the United States and/or other countries. HDBaseT and the HDBaseT Alliance logo are either trademarks or registered trademarks of the HDBaseT Alliance in the United States and/or other countries. HDMI and the HDMI logo are either trademarks or registered trademarks of HDMI Licensing LLC in the United States and/or other countries. Other trademarks, registered trademarks, and trade names may be used in this document to refer to either the entities claiming the marks and names or their products. Crestron disclaims any proprietary interest in the marks and names of others. *Crestron is not responsible for errors in typography or photography.*
©2014 Crestron Electronics, Inc.