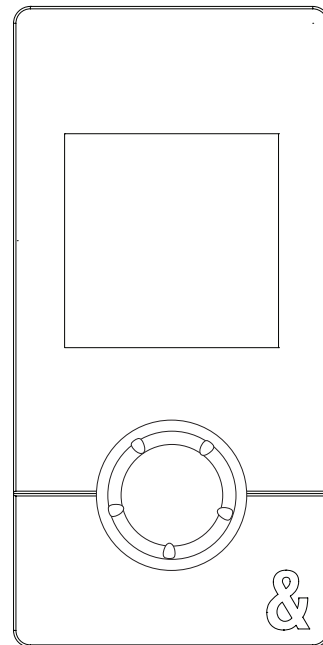
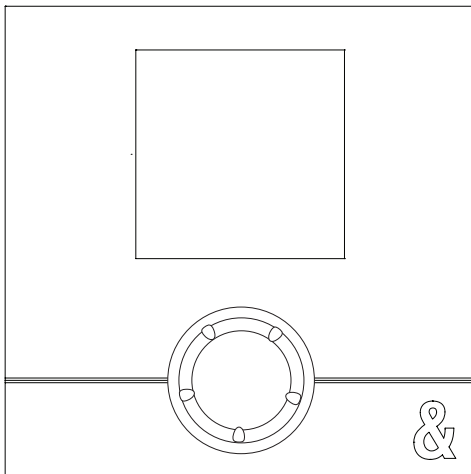


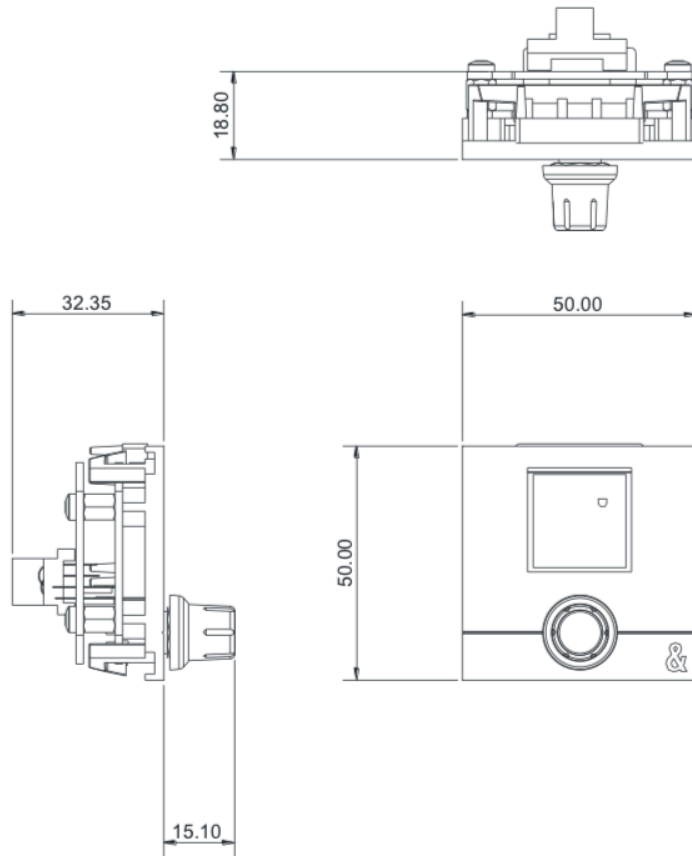
IP1 Technical Datasheet

Overview

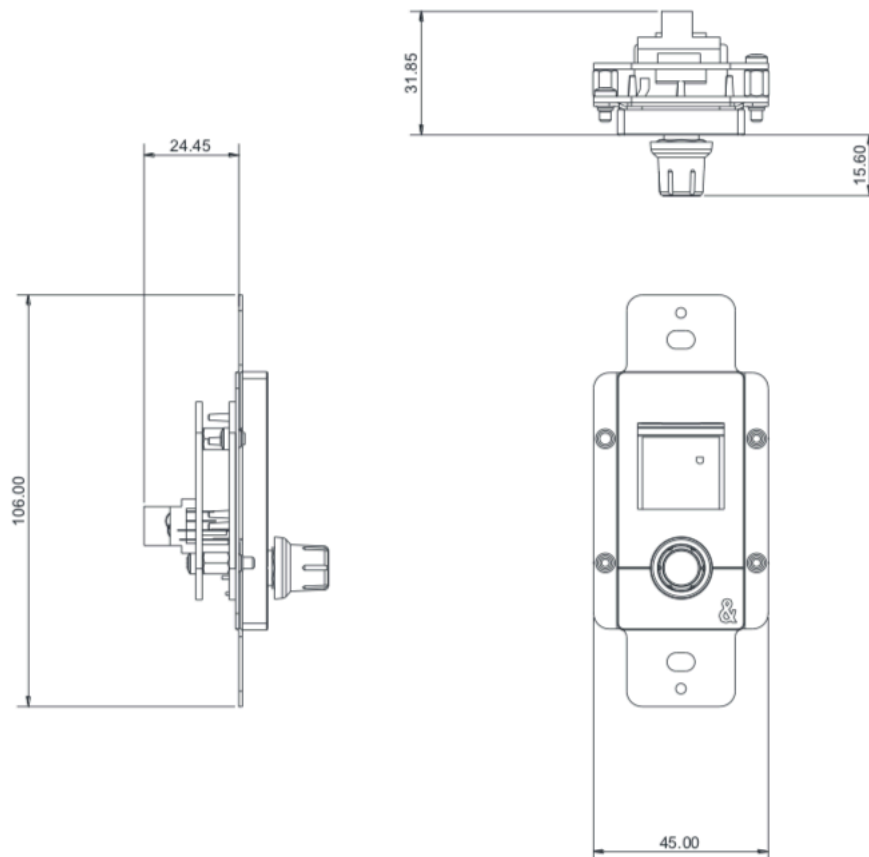
- Wall or plinth mounted
- EU & US versions available
- Compatible with Decora and MK Elements faceplates
- Interface with dLive (DM or Surface) via TCP/IP
- Dual function push & Turn rotary encoder
- LCD Display
- Programmable via Surface or Director software
- Powered via PoE



Dimensions - EU



Dimensions - US



A&E Specifications

The remote controller shall be of a fixed installation type with 1 rotary encoder and 1 LCD display.

The rotary encoder shall be dual function with the second function being accessed via a push and turn action.

There shall be a fast Ethernet connection via an RJ45 connector. Connection of the controller shall be either direct to the Mixrack/Surface via standard Cat5 data infrastructure.

Alternatively, it shall be capable of multiple parallel connections using an Ethernet switch. Configuration and programming of the controller shall be via the console touchscreen or remote software installed on a PC or MAC.

The controller shall be powered by the Cat5 control cable via a PoE enabled device. The controller shall be compatible with both PoE standards 802.3af (15.4W at source) and 802.3at (30W at source). The maximum power consumption of the controller shall be 2.5W.

The remote controller shall be used wall/plinth mounted with multiple options to suit varying pattress box standards. These options shall include compatibility with Decora and Mk Elements faceplates when integrating with varying architectural finishes.

Recommended operating temperature for the controller shall be 0 to 35 degrees Celsius.

The controller shall be the Allen & Heath IP1.

Technical Specifications

System

Network	Fast Ethernet 100Mbps
Operating Temperature Range	0°C to 35°C (32°F to 95°F)
Power Supply	PoE
PoE Compatibility	802.3af (15.4W at source) and 802.3at (30W at source)
Max Power Consumption	2.5W

Dimensions and Weights

Width x Depth x Height x Weight

IP1 - EU	50 x 32 x 50 mm (2" x 1.3" x 2") x 70g (2.5 ounces)
IP1 - US	45 x 25 x 106 mm (1.8" x 1" x 4.2") x 100g (3.5 ounces)

Boxed

IP1 - EU	131 x 170 x 90 mm (5.2" x 6.7" x 3.5") x 0,2kg (7 ounce)
IP1 - US	131 x 170 x 90 mm (5.2" x 6.7" x 3.5") x 0,2kg (7 ounce)