

## DigitalMedia 8G+® 4K60 4:4:4 HDR Wall Plate Transmitter

The Crestron® [DM-TX-4KZ-100-C-1G](#) is a DigitalMedia 8G+® wall plate transmitter that supports 4K60 4:4:4 and HDR (High Dynamic Range) video. The transmitter provides a cost-effective solution for a single AV source as part of a complete Crestron DigitalMedia™ system.



## In the Box

- 1 DM-TX-4KZ-100-C-1G DigitalMedia 8G+® Wall Plate Transmitter

## Additional Items

- 1 Bracket, Surface Mount (2016054)
- 1 Connector, 2-Pin (2003574)
- 1 Connector, 3-Pin (2003575)
- 2 Screw, 6-32 x 3/4 in., Truss Head, Combo (2009211)
- 2 Screw, 6-32 x 1/4 in., Pan Head, SEMS (2007218)



## Install the Transmitter

Mount the transmitter into an electrical box, onto a flat surface, or onto a rack rail. Connect the rear of the transmitter before mounting it into an electrical box. If the transmitter is to be mounted onto a flat surface or rack rail, connect the rear of the transmitter after the device is mounted.

## Connecting the Rear of the Transmitter

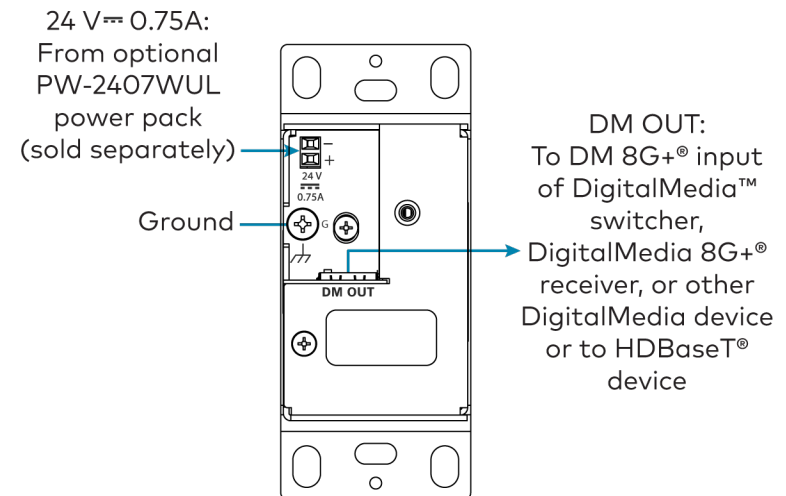
**NOTE:** The DM OUT port is a PoDM (Power over DM) powered device (PD) port and is also compatible with HDBaseT® PoE:

- In order for the DM OUT port to receive PoDM, the port must be connected to a DigitalMedia switcher or other DigitalMedia equipment that has a PoDM power sourcing equipment (PSE) port.
- In order for the DM OUT port to receive HDBaseT PoE, the port must be connected to equipment that has an HDBaseT PoE PSE port.

Wiring that connects to a PoDM or HDBaseT PoE port is designed for intrabuilding use only.

PoDM, HDBaseT PoE, or the optional [PW-2407WUL](#) power pack (sold separately) can be used to power the transmitter.

## Connections to Rear of Transmitter



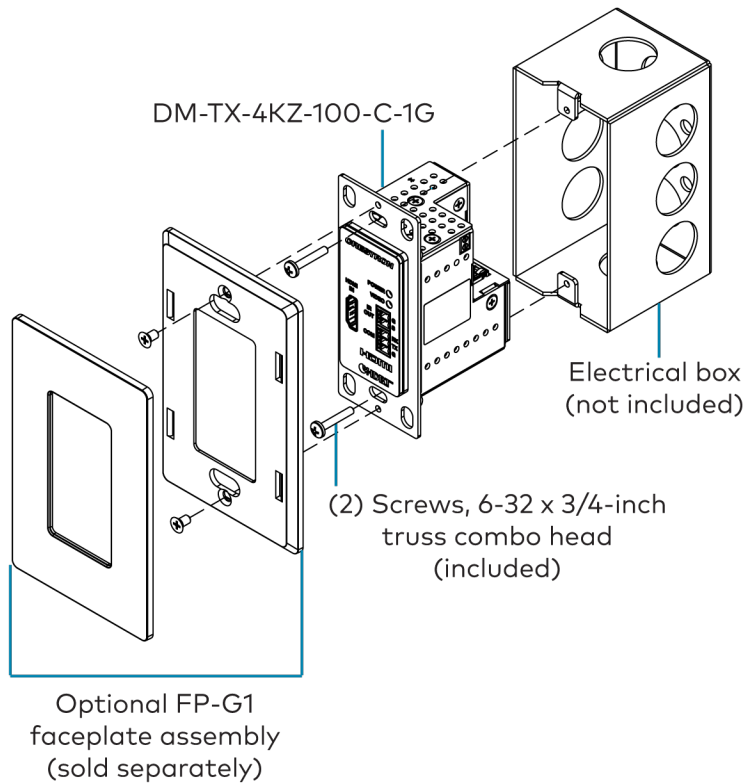
## DigitalMedia 8G+® 4K60 4:4:4 HDR Wall Plate Transmitter

### Mounting into an Electrical Box

Mount the transmitter into a 1-gang electrical box (not included).

1. Using a Phillips screwdriver and the two included 6-32 x 3/4-inch truss combo head screws, attach the transmitter to the electrical box.
2. Attach a decorator style faceplate (not included) to the transmitter. The optional Crestron [FP-G1](#) Series faceplate assembly, which is shown in the illustration below, is sold separately.

#### Mounting into an Electrical Box

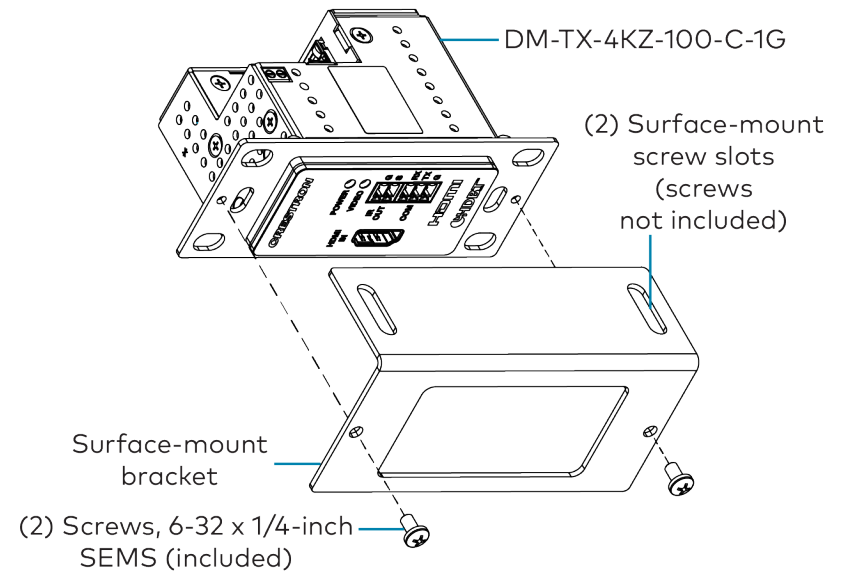


### Mounting onto a Flat Surface

Mount the transmitter onto a suitable flat surface such as the underside of a table.

1. Using a Phillips screwdriver and the two included 6-32 x 1/4-inch SEMS screws, attach the included surface-mount bracket to the transmitter.
2. Attach the bracket to the flat surface using the two surface-mount screw slots and two mounting screws (not included).

#### Mounting onto a Flat Surface



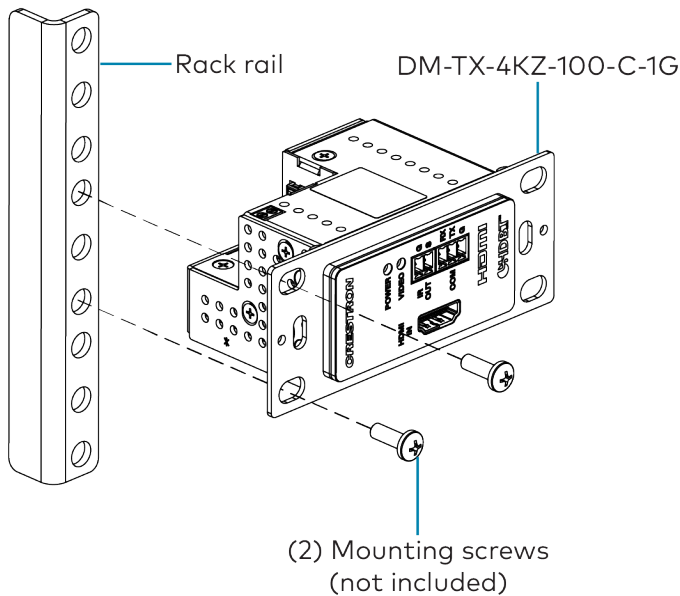
## DigitalMedia 8G+® 4K60 4:4:4 HDR Wall Plate Transmitter

### Mounting onto a Rack Rail

Mount the transmitter onto the front or rear rail of a rack.

1. Position the transmitter horizontally so that the holes in the left or right mounting flange align with the holes in the rack rail.
2. Secure the unit to the rack rail using two mounting screws (not included).

#### Mounting onto a Rack Rail



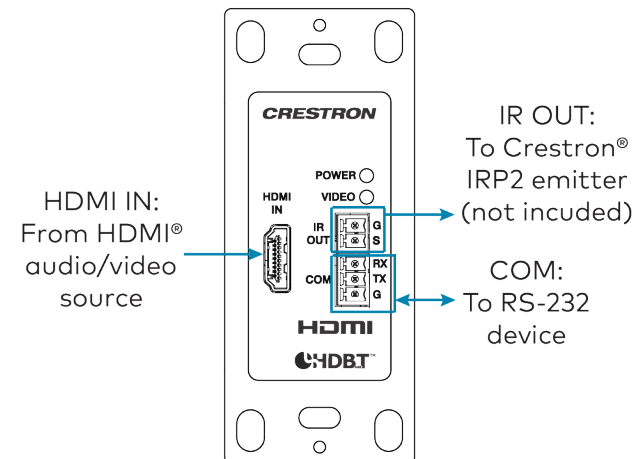
### Connecting the Front of the Transmitter

Connect the front of the transmitter as required for the application.

#### NOTES:

- The IR OUT and COM ports are enabled only when the transmitter connects to an Ethernet-enabled DigitalMedia switcher or receiver that is addressable from a Crestron control system.
- Pass-through mode for RS-232 and CEC is supported. For additional information, refer to Online Help Answer ID 1000497 on the Crestron website ([www.crestron.com](http://www.crestron.com)).

#### Connections to Front of Transmitter



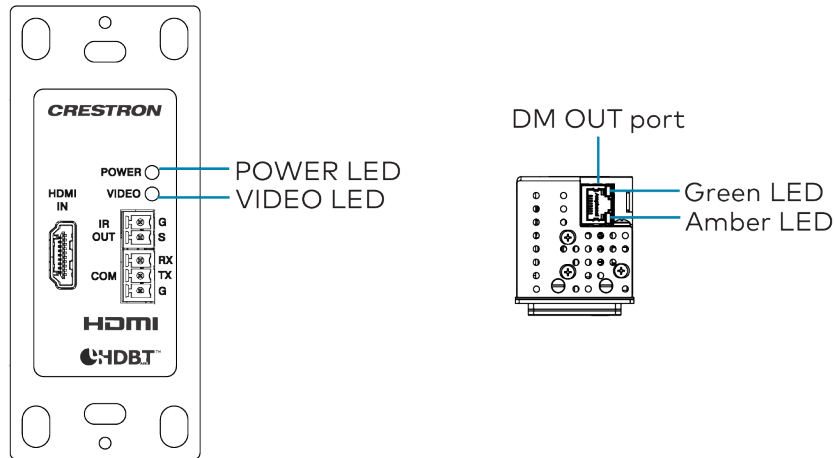
## DigitalMedia 8G+® 4K60 4:4:4 HDR Wall Plate Transmitter



### Observe the LED Indicators

LED indicators are provided on the front of the transmitter. The DM OUT port, which is located on the rear and can be viewed from the top of the transmitter, also includes LED indicators.

#### LED Indicators (Front and Top Views Shown)



Refer to the following table for information about the LED indicators.

LED Indicator	Color	Meaning
POWER	Green	Power is being applied to the device.
VIDEO	Green	A video signal is detected at the HDMI input.
DM OUT (Rear)	Green	A DM link is established.
	Solid amber	HDCP video is detected.
	Blinking amber	Non-HDCP video is detected.



### Visit the Product Page

Scan the QR code to visit the product page.

DM-TX-4KZ-100-C-1G-B-T



[www.crestron.com/model/6510626](http://www.crestron.com/model/6510626)

DM-TX-4KZ-100-C-1G-W-T



[www.crestron.com/model/6510627](http://www.crestron.com/model/6510627)

## DigitalMedia 8G+® 4K60 4:4:4 HDR Wall Plate Transmitter

### Additional Information

#### Original Instructions

The U.S. English version of this document is the original instructions. All other languages are a translation of the original instructions.

Crestron product development software is licensed to Crestron dealers and Crestron Service Providers (CSPs) under a limited nonexclusive, nontransferable Software Development Tools License Agreement. Crestron product operating system software is licensed to Crestron dealers, CSPs, and end-users under a separate End-User License Agreement. Both of these Agreements can be found on the Crestron website at [www.crestron.com/legal/software\\_license\\_agreement](http://www.crestron.com/legal/software_license_agreement).

The product warranty can be found at [www.crestron.com/warranty](http://www.crestron.com/warranty).

The specific patents that cover Crestron products are listed at [www.crestron.com/legal/patents](http://www.crestron.com/legal/patents).

Certain Crestron products contain open source software. For specific information, visit [www.crestron.com/opensource](http://www.crestron.com/opensource).

### HDMI

Crestron, the Crestron logo, DigitalMedia, DigitalMedia 8G+, and DM 8G+ are either trademarks or registered trademarks of Crestron Electronics, Inc. in the United States and/or other countries. HDBaseT and the HDBaseT Alliance logo are either trademarks or registered trademarks of the HDBaseT Alliance in the United States and/or other countries. HDMI and the HDMI logo are either trademarks or registered trademarks of HDMI Licensing LLC in the United States and/or other countries. Other trademarks, registered trademarks, and trade names may be used in this document to refer to either the entities claiming the marks and names or their products. Crestron disclaims any proprietary interest in the marks and names of others. Crestron is not responsible for errors in typography or photography.

©2020 Crestron Electronics, Inc.

Doc. 8543B

04/16/20