

# AudioPressBox<sup>®</sup>

## APB-216 C

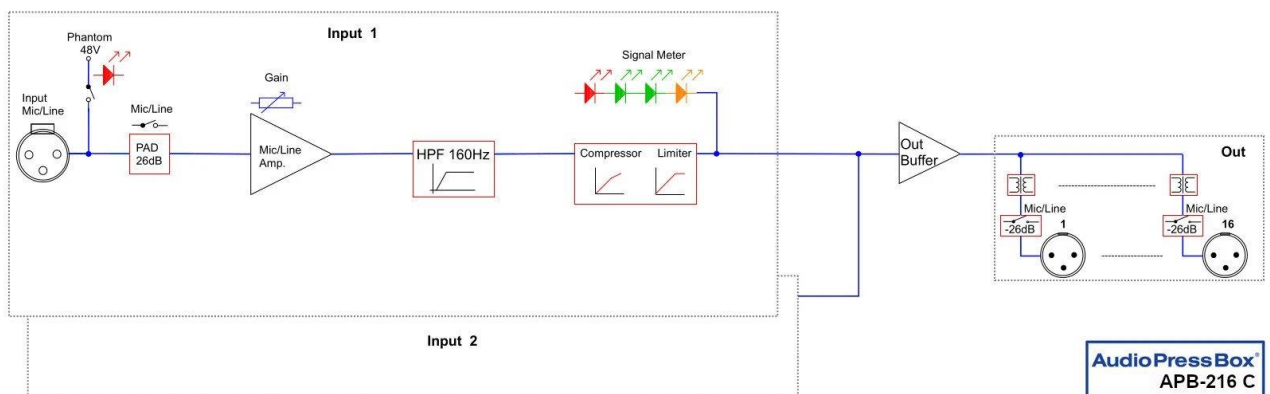
AudioPressBox – Active, portable, 2x MIC/Line In, 16 Line/MIC Out, AccuPack 10 hours



### Features

- 2 MIC (phantom power) / LINE Inputs – balanced with gain control and 26dB PAD
- 16 High quality independent transformer balanced and isolated outputs
- Each Output is switchable between MIC or LINE level
- Built-in Compressor and Limiter for each Input
- Li-Ion AccuPack with microprocessor controlled battery management
- 10 hour full load capacity. Note: AccuPack is placed inside the unit

### BLOCK DIAGRAM APB-216 C



# Audio Press Box<sup>®</sup>

## Audio Press Box APB-216 C

Type	2 in 16 out	
Groups	1	
Input section		
Inputs	2	
Input connectors	Balanced, XLR	
Input Gain	MIC +22/+62 dB    LINE -4/+36 dB	
Max. input level	Mic: -10/-30dBu Line: +36/-4dBu	
Phantom Voltage	48V	
Input Impedance	Mic: 2,4 kOhm    Line: 3,5 kOhm	
Output section		
Outputs	16 Line/MIC level	
Output connectors	Balanced, XLR	
Nominal Output Level	+6dBu	
Maximum Output Level	+20dBu (no load) +14dBu (600Ohm)	
Output impedance	Mic: 220 Ohm    Line: 600 Ohm	
Transformer isolated outputs	Yes (each output)	
SNR	86dB	
Frequency Response	120Hz to 30kHz/-1dB	
Controls	Input section: 26dB PAD, Input gain, Phantom    Output section: Power switch, Output PAD	
Indicators	Input section: Phantom power, Input level	
Power Supply	24V DC, 1A external adaptor	
Battery	Li-Ion, 14,4 V 2200mAh	
Battery operation time	up to 8 hrs	
Dimensions (WxHxD)	370x120x300 mm	
Weight	4.7 kg	