

FOR WALL MOUNTING SCREEN

1. Secure two Hanger Hook Brackets to the wall at screen height.
NOTE: Hanger Hook Brackets must be level.
2. Hanger Hook Brackets must be 3" min. from ceiling. Use appropriate fasteners to secure the Hanger Hook Brackets to the studs.
3. Hanger Hook Brackets to be located 4" to 18" from end of screen case.

FOR CEILING MOUNTING SCREEN

1. Bolt the L-brackets to the Hanger Hook Brackets with (4) 1/4-20x1/2" screws and (4) 1/4" nuts as shown in fig. 3.
2. Locate ceiling studs and screw L-brackets securely to studs.
3. L-brackets to be located 4" to 18" from each end of case.
NOTE: Screen can be hung by a chain. Install an eye bolt in center hole of each L-bracket. Screen must be level.

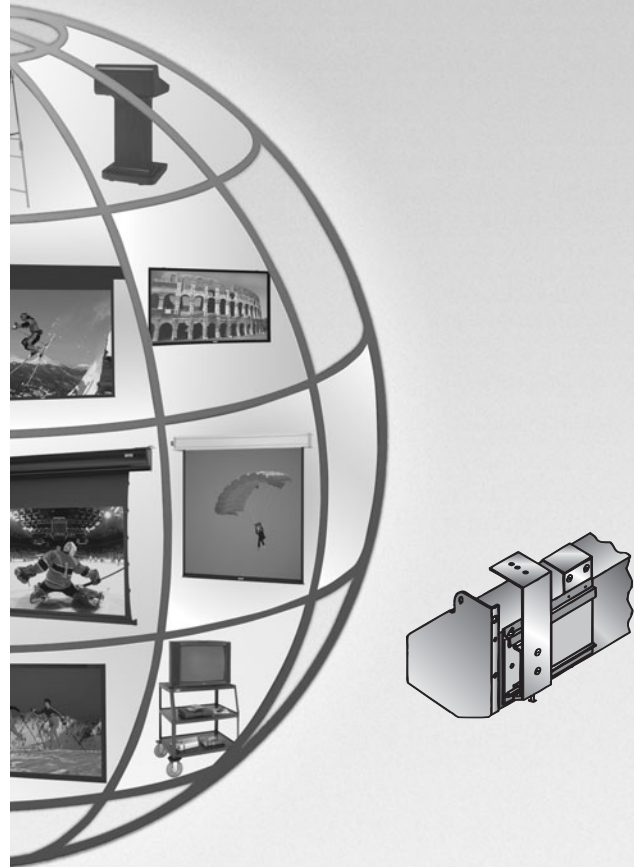
MOUNTING THE RAIL HANGER TO CASE

1. Position the screen with the back of case up.
2. Position the Rail Hangers (left and right) on each end of case with the Hook to the center of case.
3. **For Cosmopolitan® Electrol®** Remove the two screws next to the end caps and slide Rail Hangers over the holes, install screws.
For Model C Remove the two screws from the end caps and slide Rail Hangers over the holes, install screws.
4. Hook the Case Clamp over Front of case and pull around case to the Rail Hanger. Install with (4) 10-32x7/16" screws.
5. Screen is ready to hang on Hanger Hook Brackets.

INSTALLING SCREEN, WITH RAIL HANGER, TO HANGER HOOK BRACKETS

1. Hook the Rail Hanger on back of case on the Hanger Hook Bracket.
2. Adjust screen left to right for centering. Tighten screw on Hanger Hook Bracket.

The
POWER *In*
PRESENTATION PRODUCTS



DA-LITE

Installation Instructions for FLOATING MOUNTING BRACKET

DA-LITE SCREEN COMPANY, INC.

3100 North Detroit Street
Post Office Box 137
Warsaw, Indiana 46581-0137
Phone: 574-267-8101
800-622-3737
Fax: 574-267-7804
Toll Free Fax: 877-325-4832
www.da-lite.com
e-mail: info@da-lite.com

WALL MOUNTING

Figure 1

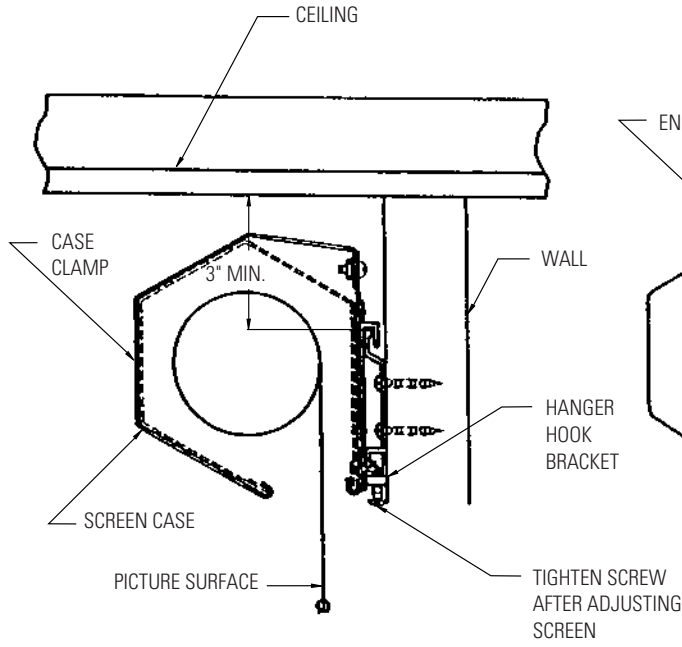
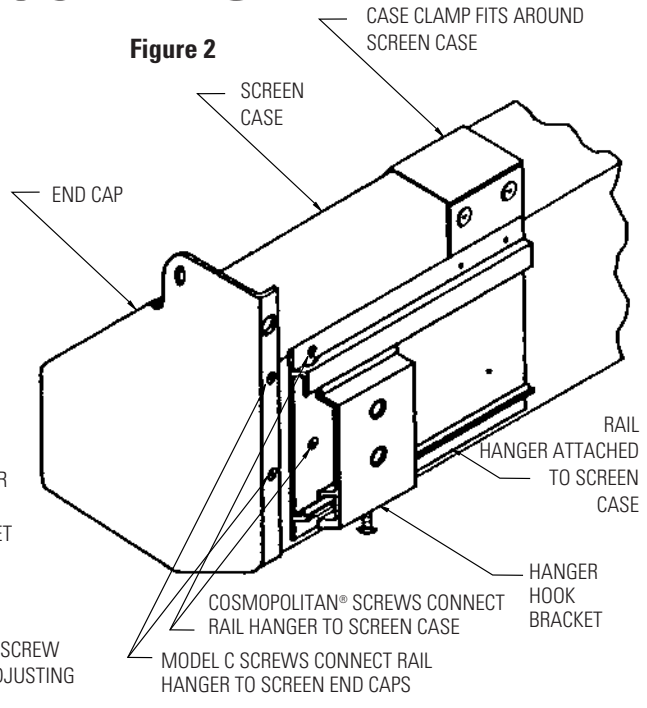


Figure 2



CEILING MOUNTING

Figure 3

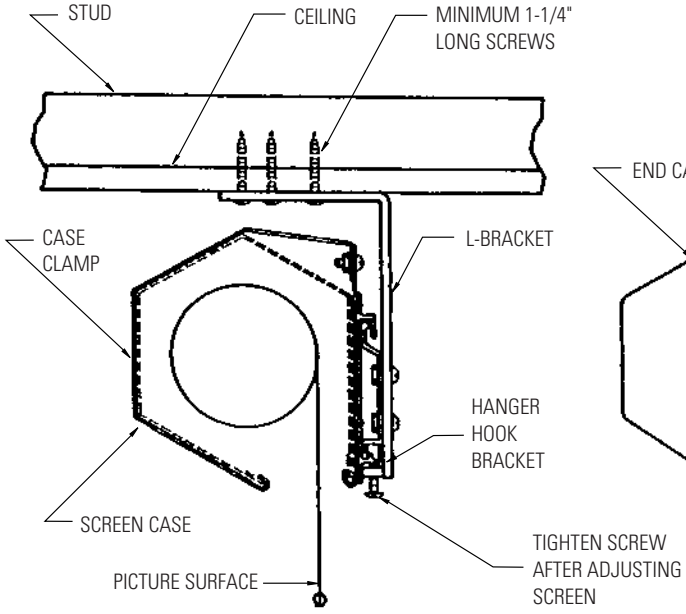


Figure 4

