



Rugged Road Ready Features

- * Beefy, Stackable Ball Corners
- * Double Anchor Industrial Rivets
- * Recessed, Industrial Grade Latches
- * Recessed Industrial Grade Handle
- * Industrial Grade Rubber Feet
- * Premium 3/8" Vinyl Laminated Plywood
- * Tongue and Groove Locking Fit
- * Low Profile Base
- * ATA 300 Rating
- * Road Ready Limited Lifetime Warranty

Product Dimensions

Shipping Dimensions (inch): 23.2 x 17.3 x 9.6

Shipping Weight (lbs): 22

Product Dimensions (inch): 22.6 x 16.6 x 8.8

Product Weight (lbs): 20.9

Shipping Dimensions(cm):59 x 44 x 24.5

Shipping Weight (kg): 10

Product Dimensions (cm): 57.5 x 42.3 x 22.5

Product Weight (kg):9.5

RRONYX1220

CASE FOR MACKIE
ONYX I220 MIXER



Created for the Pro's, the RRONYX1220 is made for the journey and built to hold strong in high stress situations. Designed to fit the Mackie Onyx 1220 mixer in the RRONYX1220 features a heavy-duty removable, latchable cover with our No Pressure Design to protect your mixer controls and our unique low profile base that allows you to access your mixer's rear connection panel without removing the mixer from the case. Tougher than the pavement! That's the idea.

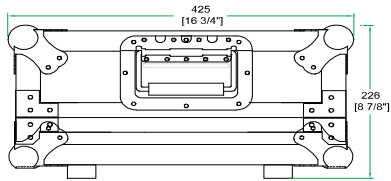
Road Ready Cases

1226 Corral Place * Santa Fe Springs, CA 90670

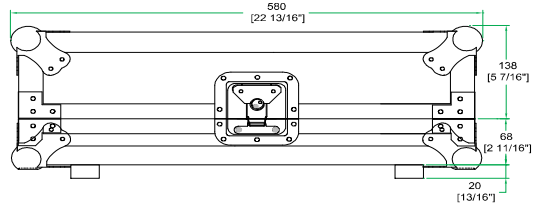
ph: 562.906.6185 * fax: 562.906.6186

WWW.ROADREADYCASES.COM

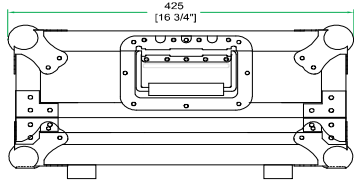
RRONYX1220



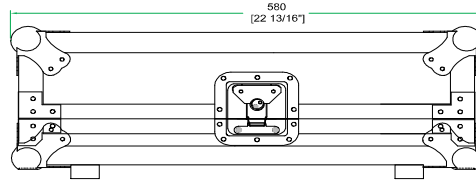
FRONT VIEW



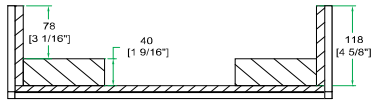
LEFT VIEW



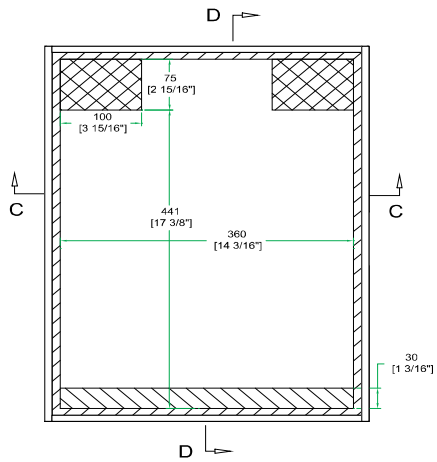
BACK VIEW



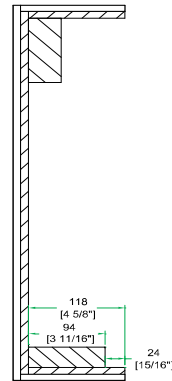
RIGHT VIEW



C-C VIEW



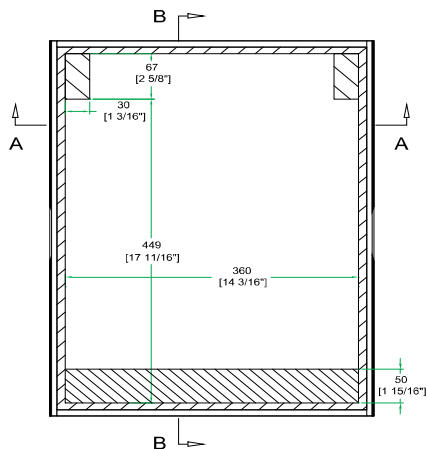
TOP VIEW OF COVER



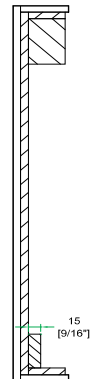
D-D VIEW



A-A VIEW



TOP VIEW OF BASE



B-B VIEW