



Product Description

Designed for a wide variety of discrete small/medium scale sound reinforcement applications, the Tannoy DVS 6 is an ultra compact surface mount loudspeaker of exceptional value and acoustic performance. A full bandwidth loudspeaker designed for commercial, professional and residential applications where environmental durability and high quality sound reproduction are required. For both indoor and limited outdoor use, these speakers are ideally suited to stereo or monaural background or foreground music systems in such applications as diverse as theme park attractions, retail premises, restaurants and cafes, hotel lobbies and bars, corporate audio visual, residential developments and houses of worship.

The point-source design comprises a 150mm (6.00") mid bass driver with a coaxially mounted 19mm (0.75") high frequency section mounted in a stylish injection moulded surface-mount enclosure manufactured from ABS material. The new device is certified for water and dust ingress protection to IP64 standard and is currently pending UL Listed status (UL-1480) making it a perfectly capable performer in challenging interior areas such as swimming pools, saunas or work areas where unusually high levels of dust or moisture may be present, as well as most outdoor applications where extreme environmental or harsh weather conditions are not a typical concern.

The highly durable and scuff resistant, high impact ABS enclosure is available in black or white painted finish and comes with an integral mild steel grille designed with optimum aesthetic sensitivity in mind. A steel mounting bracket is included, which fits easily to the device via finger-tightened plastic screw-nut on the top and bottom of the enclosure, making installation quick and hassle-free. Thanks to the point-source driver design, the DVS 6 can be mounted vertically or horizontally without compromising the dispersion and coverage control.

Transformer version – the DVS 6t

The DVS 6t model option is equipped with an internally mounted low insertion loss line transformer for 70V or 100V distributed sound applications. Wattage taps are configurable to the following settings via a rotary tapping switch, which is located on the back panel.

70V: 60W / 30W / 15W / 7.5W
100V: 60W / 30W / 15W

Features

- 150mm (6") coaxial transducer for high performance and durability
- 110 degree controlled conical dispersion for optimum coverage
- Exceptional performance to value ratio
- Weather resistant rated IP64 to EN60529 (IEC529)
- Stylish, durable ABS enclosure available in black or white
- Phase coherent design for superior vocal articulation and music reproduction
- No crossover required, ensuring better phase, impedance and sensitivity response and increased durability
- Painted steel yoke bracket supplied.
- Five year loudspeaker warranty
- Low insertion loss 60W transformer for use in distributed audio installations (DVS 6t only)

Applications

- Indoor and outdoor commercial, professional and residential installations
- High level stereo or monaural background or foreground music and speech paging systems
- Theme parks
- Theme bars
- Reception / waiting rooms
- Airports, convention centres and hotels
- Business music systems
- Boardrooms and offices
- Retail outlets and shopping malls
- Restaurants and cafes
- Corporate audio visual
- Residential developments

Tannoy (Direct UK)
TCGI (ROW sales)
TCGA (Americas sales)
Tannoy Middle East

T: 00 44 (0) 1236 420199
T: 00 45 8742 7000
T: 00 1 (519) 745 1158
T: 00 971 (04) 4401208

E: enquiries@tannoy.com
E: info@tcgroup-international.com
E: info@tcgroup-americas.com
E: enquiries@tannoy.com

tannoy®.com



DVS 6 / DVS 6t

TANNOY®

TECHNICAL SPECIFICATIONS

System	DVS 6	
Frequency Response (-3dB) ⁽¹⁾	80Hz - 20kHz	
Frequency Range (-10dB) ⁽¹⁾	65Hz - 30kHz	
System Sensitivity (1W @1m) ⁽²⁾	88dB	
Dispersion (-6dB)	90 degrees conical	
Transducers	Coaxial	
Low Frequency	160mm (6.0") mineral loaded cone material	
High Frequency	19mm (0.75")	
Crossover	4.3kHz - 2nd order LF, 2nd order HF	
Directivity Factor (Q)	10.6 averaged 1kHz to 10kHz	
Directivity Index (DI)	9.6 averaged 1kHz to 10kHz	
Rated Maximum SPL ⁽²⁾	105dB (average) 111dB (peak)	
Power Handling		
Average	60W	
Programme	120W	
Peak	240W	
Recommended Amplifier Power	120W @ 6 Ohms	
Nominal Impedance	6 Ohms	
Distortion		
10% Full Power (6.0V)	2nd Harmonic	3rd Harmonic
250Hz	0.934%	0.316%
1kHz	0.292%	0.560%
10kHz	0.740%	0.050%
1% Full Power (1.9V)	2nd Harmonic	3rd Harmonic
250Hz	0.225%	0.326%
1kHz	0.082%	0.363%
10kHz	0.147%	0.066%

Notes

- (1) Average over stated bandwidth. Measured at 1 metre on axis in an anechoic chamber
- (2) Unweighted pink noise input, measured at 1 metre in an anechoic chamber
- (3) Low Z operation

A full range of measurements, performance data, and Ease™ Data can be downloaded from www.tannoy.com

Tannoy operates a policy of continuous research and development. The introduction of new materials or manufacturing methods will always equal or exceed the published specifications, which Tannoy reserves the right to alter without prior notice. Please verify the latest specifications when dealing with critical applications.

Construction	
Enclosure	ABS
Grille	Steel, plated and painted
Connectors	Euroblock type removable locking connector with screw terminals with "loop through" facility
Supplied Accessories	Yoke bracket
Dimensions (HxWxD)	340.5 x 212.2 x 216.5mm (13.41" x 8.36" x 8.52")
Net Weight	3.1kg (6.83lbs)
Shipped weight	8.6kg (18.94lbs)
Packed quantity	2
Transformer Version specifications as above except:	
Transformer Taps (rear rotary switch)	
70V	60W / 30W / 15W / 7.5W / OFF & Low Impedance operation
100V	60W / 30W / 15W / OFF & Low Impedance operation
Net Weight	4.1kg (9.03lbs)
Shipped weight	10.6kg (23.35lbs)
Packed quantity	2

6483 1142 / 0211

Ordering Information

PART NUMBER	MODEL NAME	COLOUR	PACKED QUANTITY
8001 6250	DVS 6	BLACK	2
8001 6251	DVS 6	WHITE	2
8001 6260	DVS 6t	BLACK	2
8001 6261	DVS 6t	WHITE	2

Tannoy (Direct UK)
TCGI (ROW sales)
TCGA (Americas sales)
Tannoy Middle East

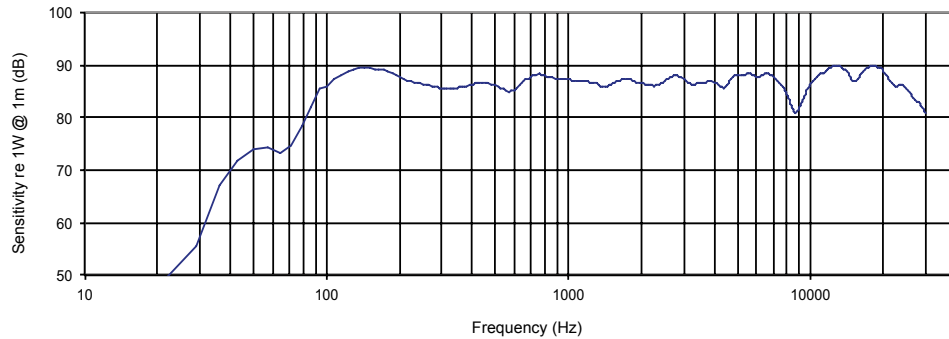
T: 00 44 (0) 1236 420199
T: 00 45 8742 7000
T: 00 1 (519) 745 1158
T: 00 971 (04) 4401208

E: enquiries@tannoy.com
E: info@tcgroup-international.com
E: info@tcgroup-americas.com
E: enquiries@tannoy.com

tannoy.com

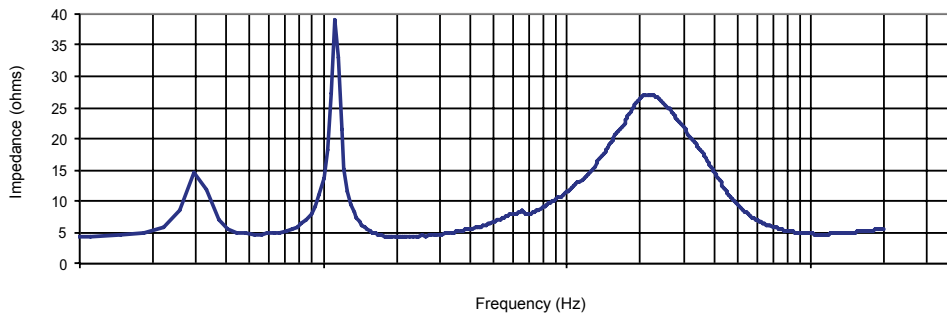


1m on-axis Frequency Response



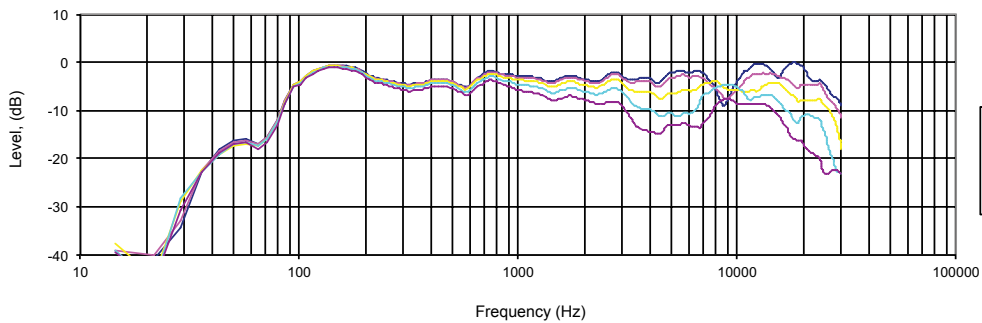
**ANECHOIC
FREQUENCY
RESPONSE**

Impedance vs frequency



IMPEDANCE

Horizontal Off-axis Frequency Response



**HORIZONTAL
OFF-AXIS
RESPONSE**

Tannoy (Direct UK)
TCGI (ROW sales)
TCGA (Americas sales)
Tannoy Middle East

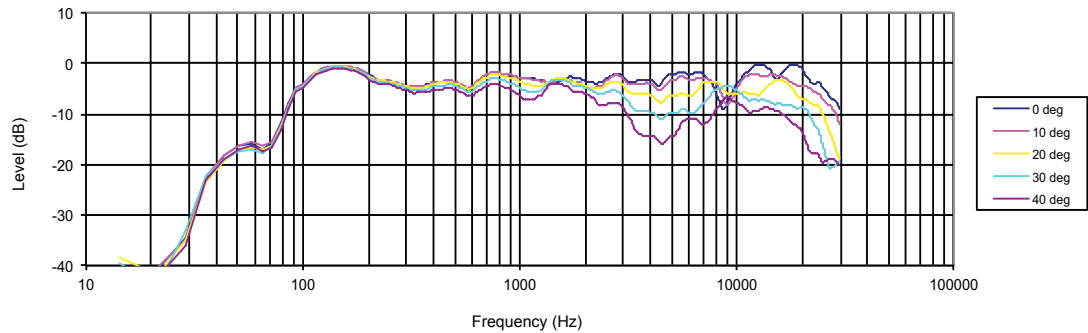
T: 00 44 (0) 1236 420199
T: 00 45 8742 7000
T: 00 1 (519) 745 1158
T: 00 971 (04) 4401208

E: enquiries@tannoy.com
E: info@tcgroup-international.com
E: info@tcgroup-americas.com
E: enquiries@tannoy.com

tannoy®.com

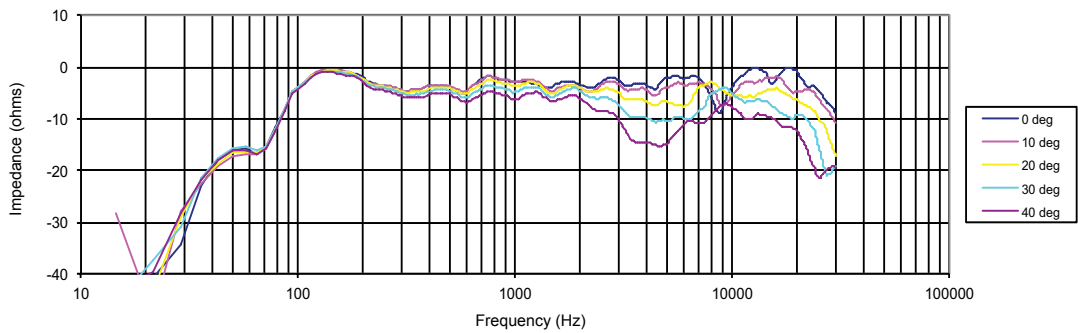


Upper Vertical Off-axis Frequency Response



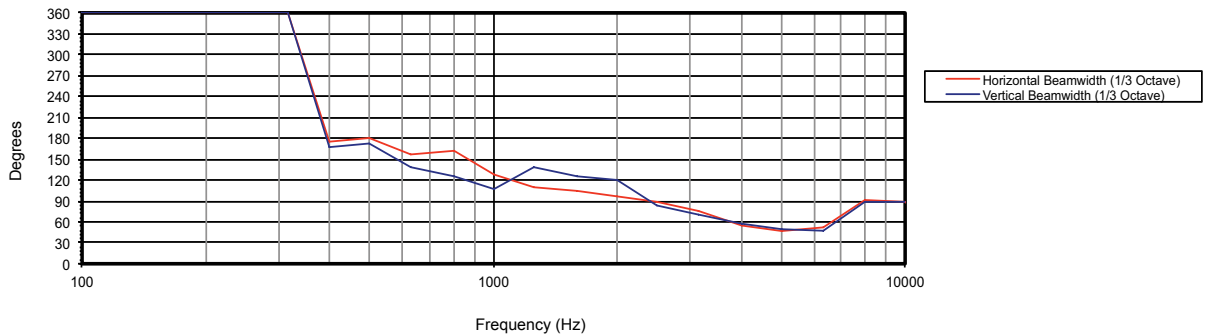
UPPER VERTICAL OFF-AXIS RESPONSE

Lower Vertical Off-axis Frequency Response



LOWER VERTICAL OFF-AXIS RESPONSE

Beamwidth vs Frequency



BEAMWIDTH

Tannoy (Direct UK)
 TCGI (ROW sales)
 TCGA (Americas sales)
 Tannoy Middle East

T: 00 44 (0) 1236 420199
 T: 00 45 8742 7000
 T: 00 1 (519) 745 1158
 T: 00 971 (04) 4401208

E: enquiries@tannoy.com
 E: info@tcgroup-international.com
 E: info@tcgroup-americas.com
 E: enquiries@tannoy.com

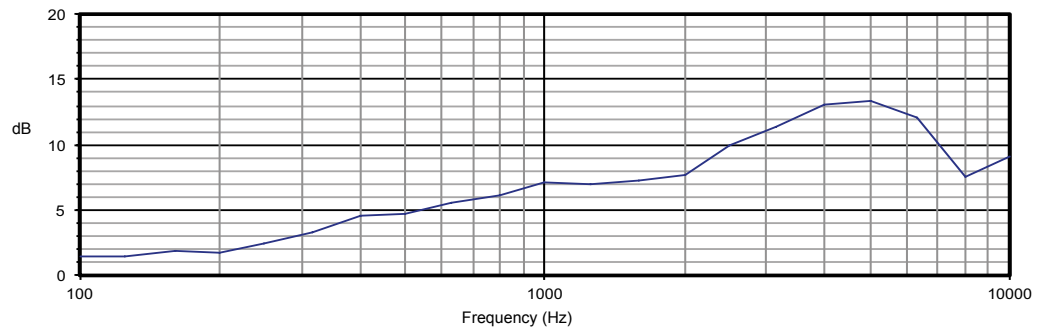
tannoy®.com



DVS 6 / DVS 6t

TANNOY®

DI vs Frequency



DIRECTIVITY INDEX

Tannoy (Direct UK)
TCGI (ROW sales)
TCGA (Americas sales)
Tannoy Middle East

T: 00 44 (0) 1236 420199
T: 00 45 8742 7000
T: 00 1 (519) 745 1158
T: 00 971 (04) 4401208

E: enquiries@tannoy.com
E: info@tcgroup-international.com
E: info@tcgroup-americas.com
E: enquiries@tannoy.com

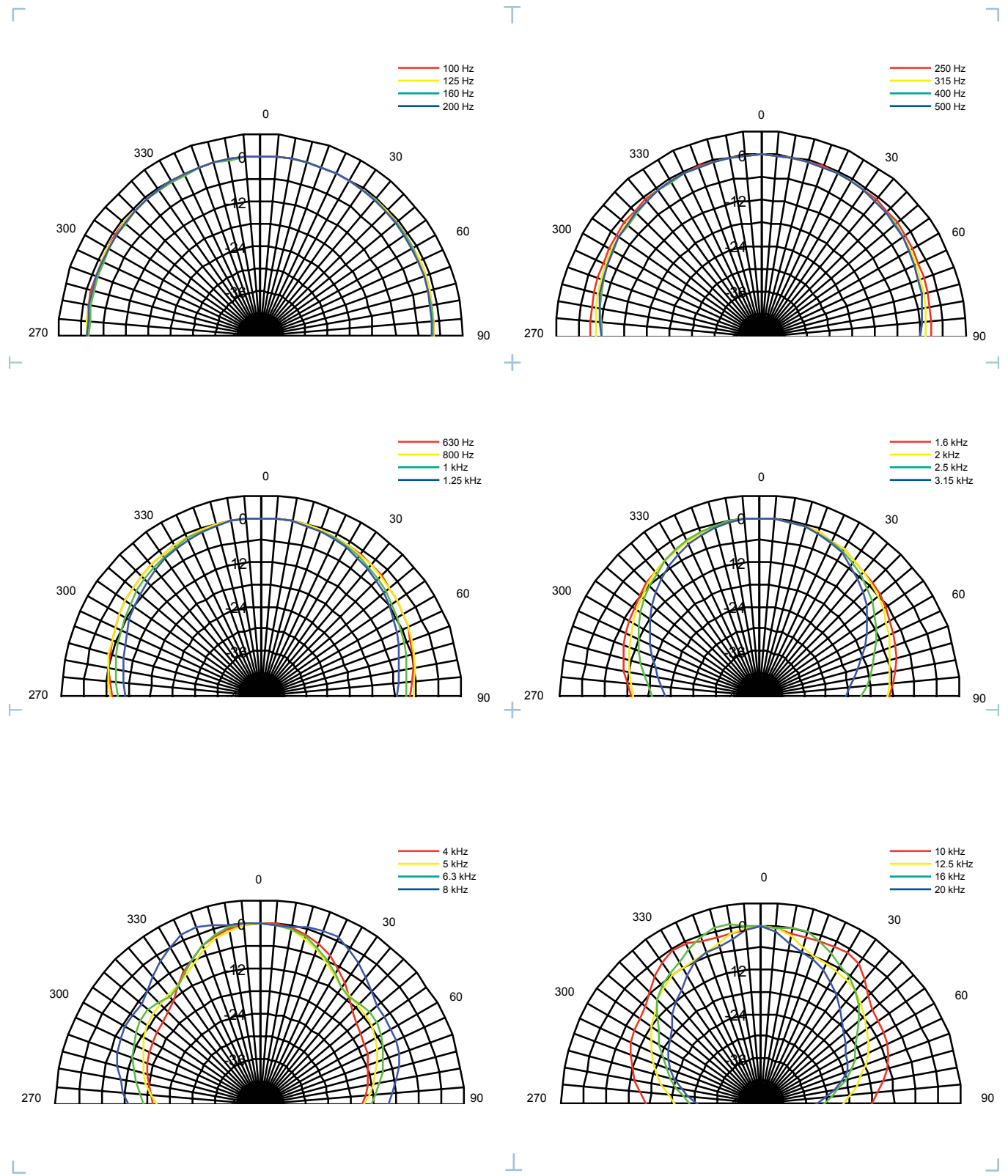
tannoy®.com



DVS 6 / DVS 6t

TANNOY®

PERFORMANCE MEASUREMENTS POLAR PLOTS (1/3 OCTAVE) HORIZONTAL



Tannoy (Direct UK)
 TCGI (ROW sales)
 TCGA (Americas sales)
 Tannoy Middle East

T: 00 44 (0) 1236 420199
 T: 00 45 8742 7000
 T: 00 1 (519) 745 1158
 T: 00 971 (04) 4401208

E: enquiries@tannoy.com
 E: info@tcgroup-international.com
 E: info@tcgroup-americas.com
 E: enquiries@tannoy.com

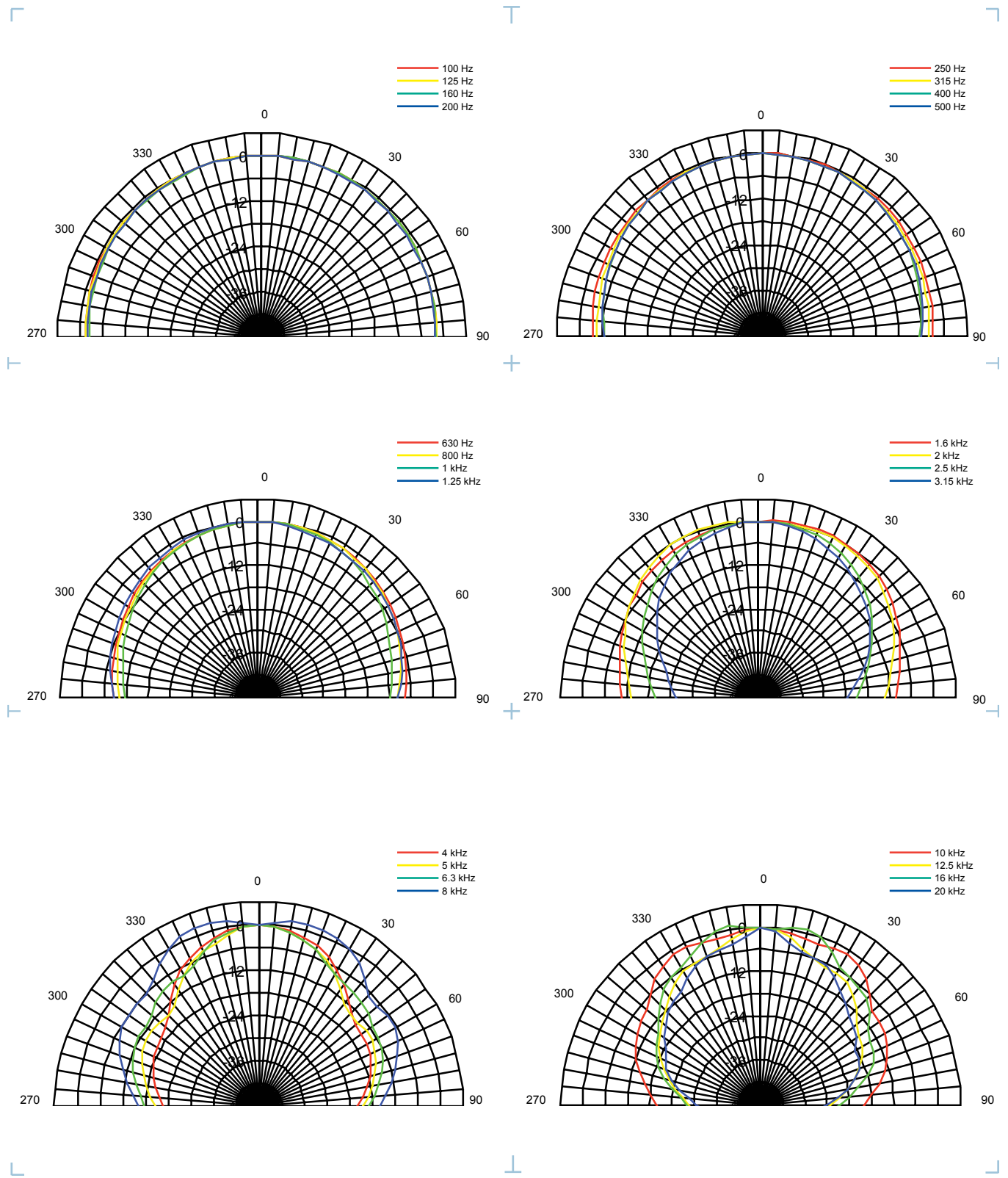
tannoy®.com



DVS 6 / DVS 6t

TANNOY®

PERFORMANCE MEASUREMENTS POLAR PLOTS (1/3 OCTAVE) VERTICAL



Tannoy (Direct UK)
 TCGI (ROW sales)
 TCGA (Americas sales)
 Tannoy Middle East

T: 00 44 (0) 1236 420199
 T: 00 45 8742 7000
 T: 00 1 (519) 745 1158
 T: 00 971 (04) 4401208

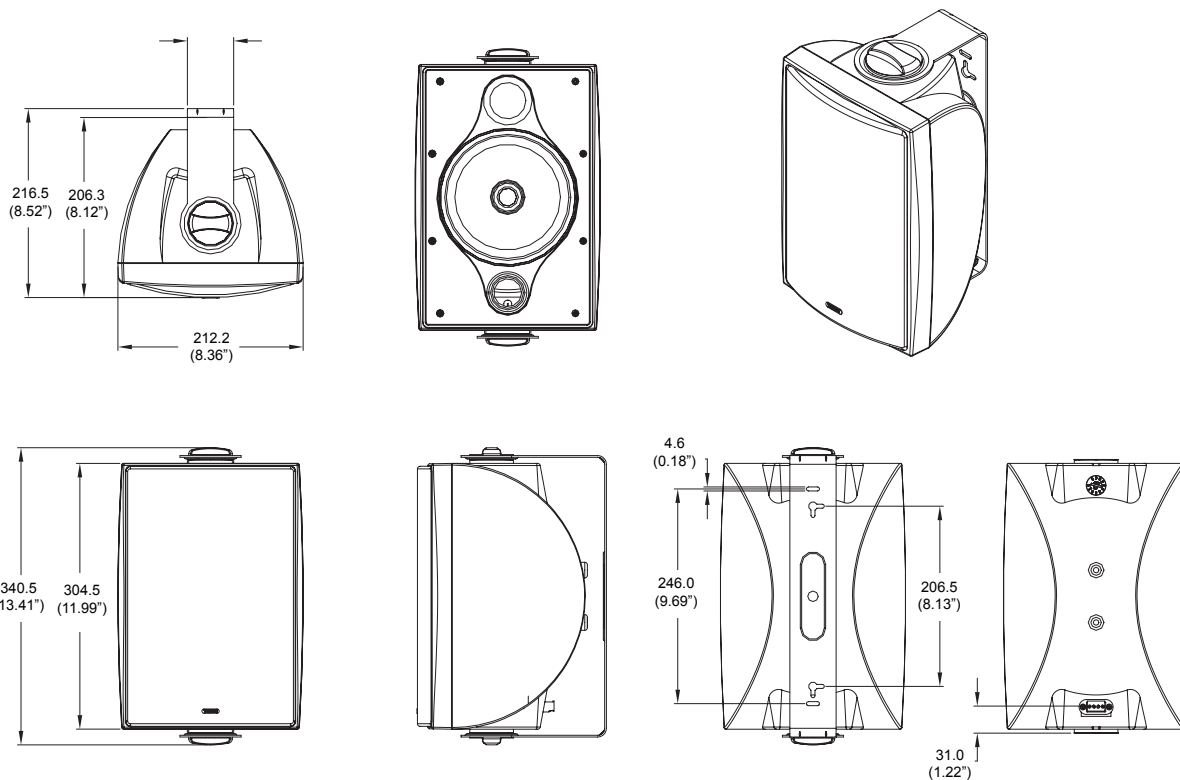
E: enquiries@tannoy.com
 E: info@tcgroup-international.com
 E: info@tcgroup-americas.com
 E: enquiries@tannoy.com

tannoy.com



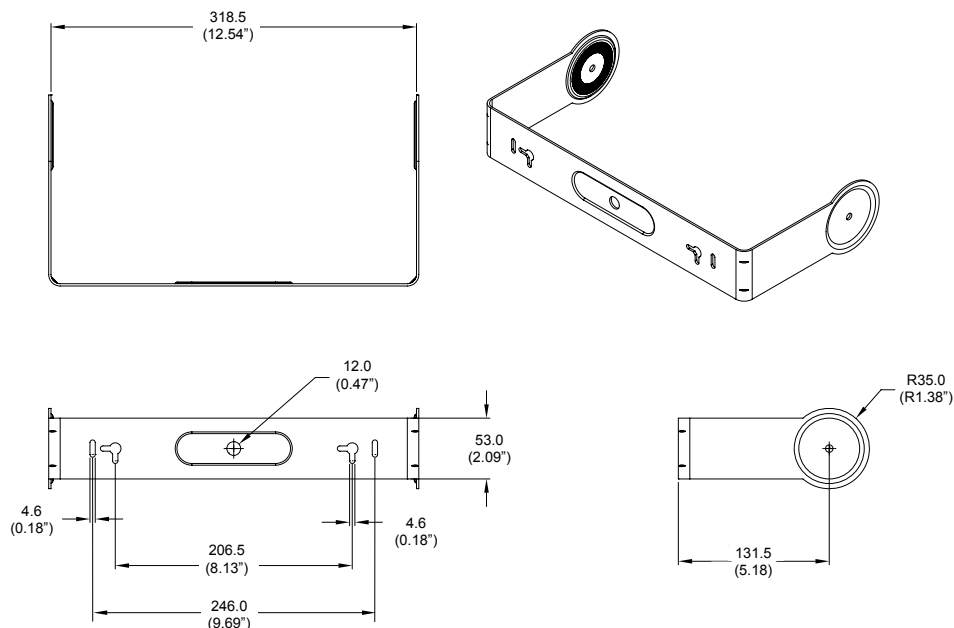
DVS 6 / DVS 6t

TANNOY®



SUPPLIED ACCESSORIES

DVS 6 Yoke Bracket



Tannoy (Direct UK)
 TCGI (ROW sales)
 TCGA (Americas sales)
 Tannoy Middle East

T: 00 44 (0) 1236 420199
 T: 00 45 8742 7000
 T: 00 1 (519) 745 1158
 T: 00 971 (04) 4401208

E: enquiries@tannoy.com
 E: info@tcgroup-international.com
 E: info@tcgroup-americas.com
 E: enquiries@tannoy.com

tannoy®.com



Architectural specifications DVS 6

The weather resistant, surface mount speaker system shall consist of a 150mm (6.00") mineral loaded mid bass driver with coaxially mounted 19mm (0.75") high frequency unit and passive frequency dividing network optimally tuned vented, injection moulded high impact polystyrene (HIPS) enclosure IP64 to EN60529. The protective grille shall be constructed from aluminium with a weather resistant coating.

Performance of the DVS 6 surface mount speaker shall meet or exceed the following criteria: The system shall have a conical coverage pattern of 90 degrees (-6dB). Frequency response measured on axis shall be 80Hz-20kHz (-10dB) from rated sensitivity, average over stated bandwidth. Measured 1 metre in an anechoic chamber) with no equalisation. Sensitivity shall be 88dB (1W=2.45V for 6 Ohms). Long term power handling capacity as defined in EIA-426B test shall be 60W, recommended amplifier power 120W. The nominal system impedance shall be 6 Ohms (in low impedance setting).

A termination recess shall be integrated with the rear panel, a removable Euroblock type locking connector with screw terminals to secure wire termination with "loop through" facility shall be provided. A yoke mounting bracket shall be included with the speaker system.

The dimensions shall not exceed (H)340.5 x (W)212.2 x (D)216.5mm (11.99 x 8.36 x 8.52")

The surface mount system shall be the DVS 6

Architectural specifications DVS 6t

The weather resistant, surface mount speaker system shall consist of a 150mm (6.00") mineral loaded mid bass driver with coaxially mounted 19mm (0.75") high frequency unit and passive frequency dividing network optimally tuned vented, injection moulded high impact polystyrene (HIPS) enclosure IP64 to EN60529. The protective grille shall be constructed from aluminium with a weather resistant coating.

Performance of the DVS 6t surface mount speaker shall meet or exceed the following criteria: The system shall have a conical coverage pattern of 90 degrees (-6dB). Frequency response measured on axis shall be 80Hz-20kHz (-10dB) from rated sensitivity, average over stated bandwidth. Measured 1 metre in an anechoic chamber) with no equalisation. Sensitivity shall be 88dB (1W=2.45V for 6 Ohms). Long term power handling capacity as defined in EIA-426B test shall be 60W, recommended amplifier power 120W. The nominal system impedance shall be 6 Ohms (in low impedance setting).

The DVS 6t speaker system shall be equipped with a 60W high performance line transformer for use with 70.7 or 100 Volt distributed audio systems with 60W / 30W / 15W / 7.5W*Watt, OFF and low impedance settings.

A removable Euroblock type locking connector with screw terminals to secure wire termination with "loop through" facility shall be provided. A yoke mounting bracket shall be included with the speaker system.

The dimensions shall not exceed (H)340.5 x (W)212.2 x (D)216.5mm (11.99 x 8.36 x 8.52")

The surface mount system shall be the DVS 6t

*70 Volt only

