

ALLEN&HEATH

Parts identification sheet

GL2800

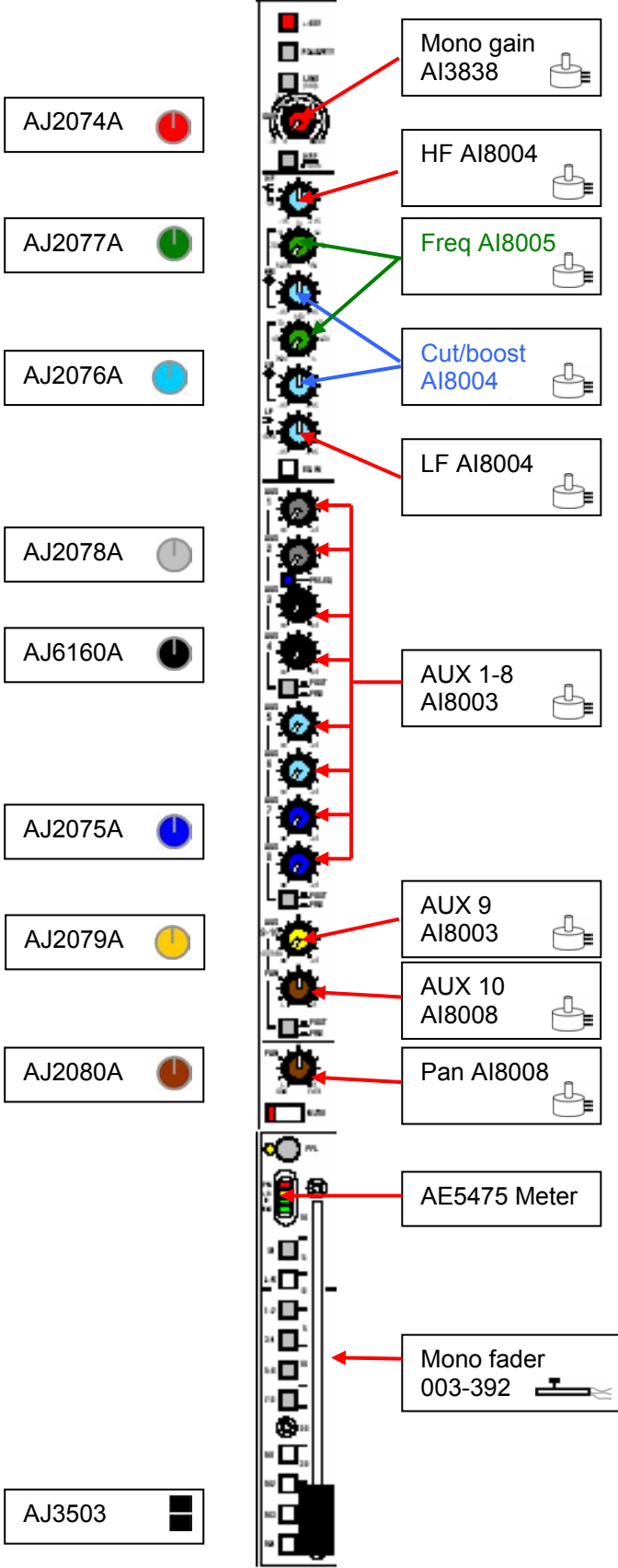
How to order parts

Parts must be ordered from our distributor in your territory. A list of international distributors can be viewed at <http://www.allen-heath.com/UK/distributors.asp>

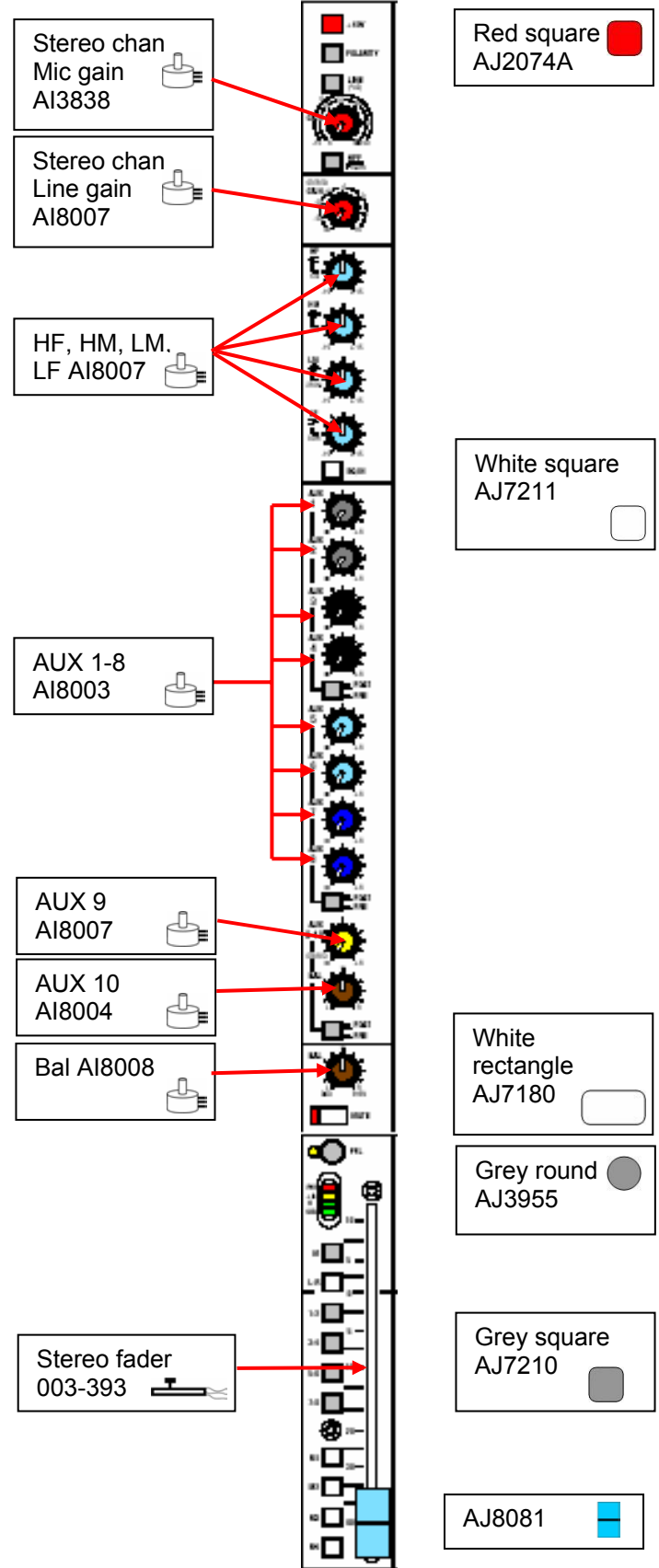
UK parts must be ordered through an appointed A&H dealer or service centre. A list of UK service centres can be viewed at http://www.allen-heath.com/UK/service_centres.asp

POTS FADERS & KNOBS:

MONO I/P CHANNEL

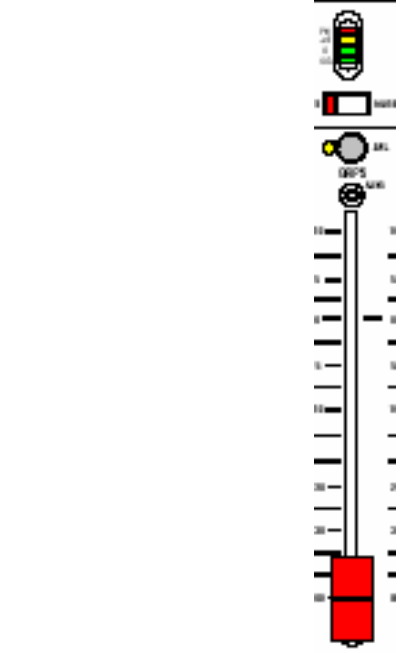
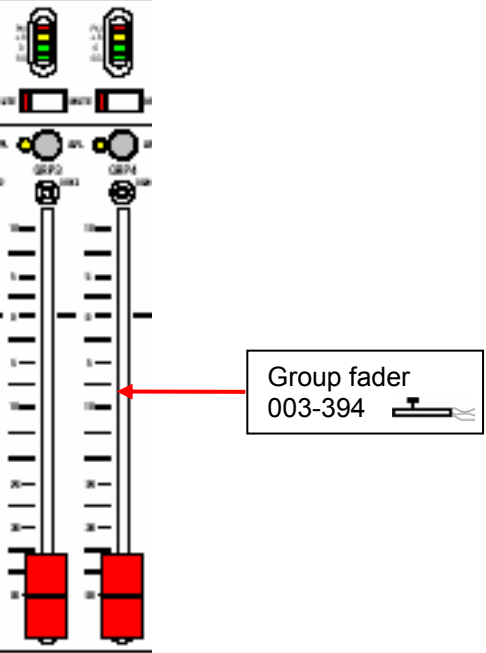
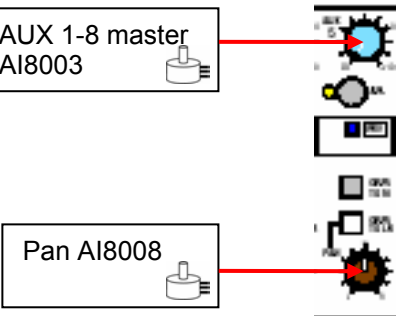
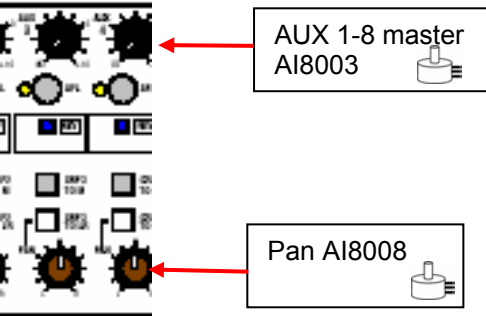
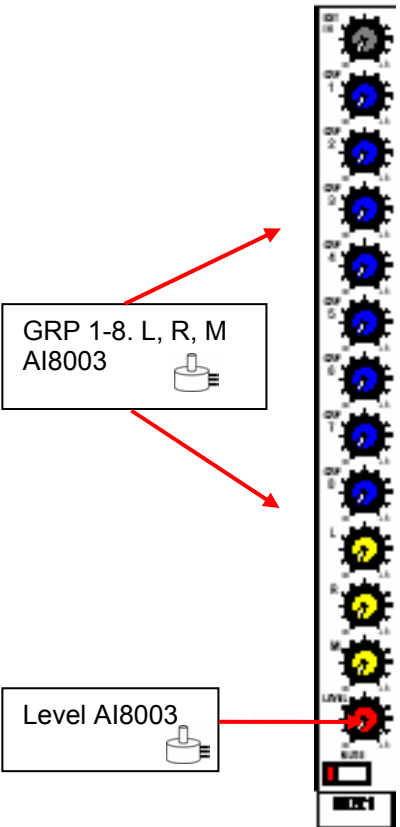
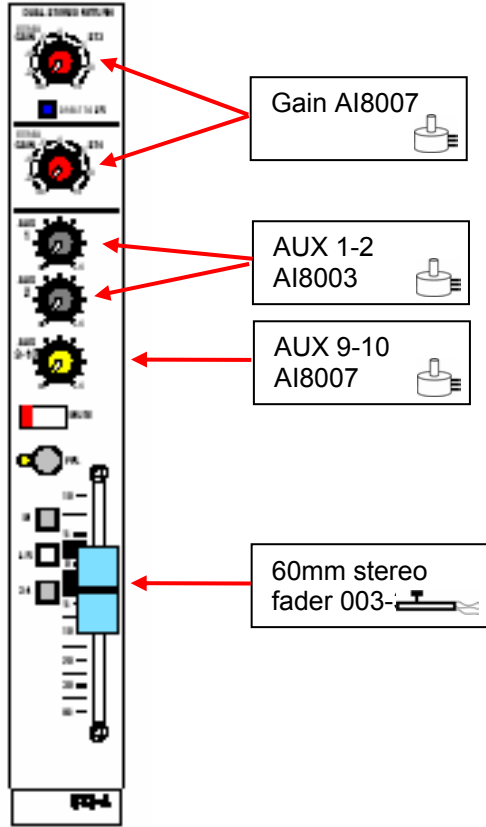



STEREO I/P CHANNEL



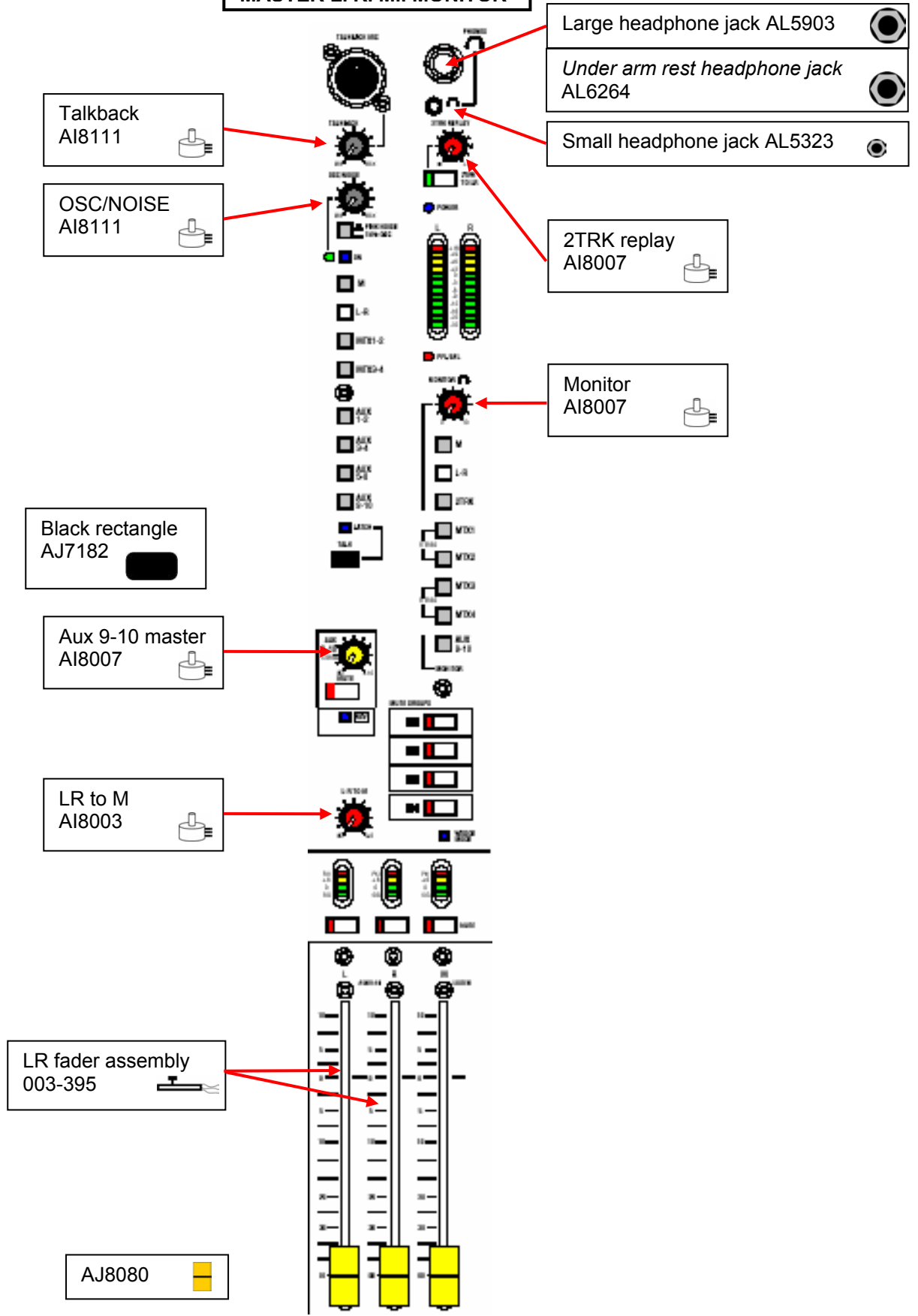
GROUP / STEREO RETURN

GROUP / MATRIX

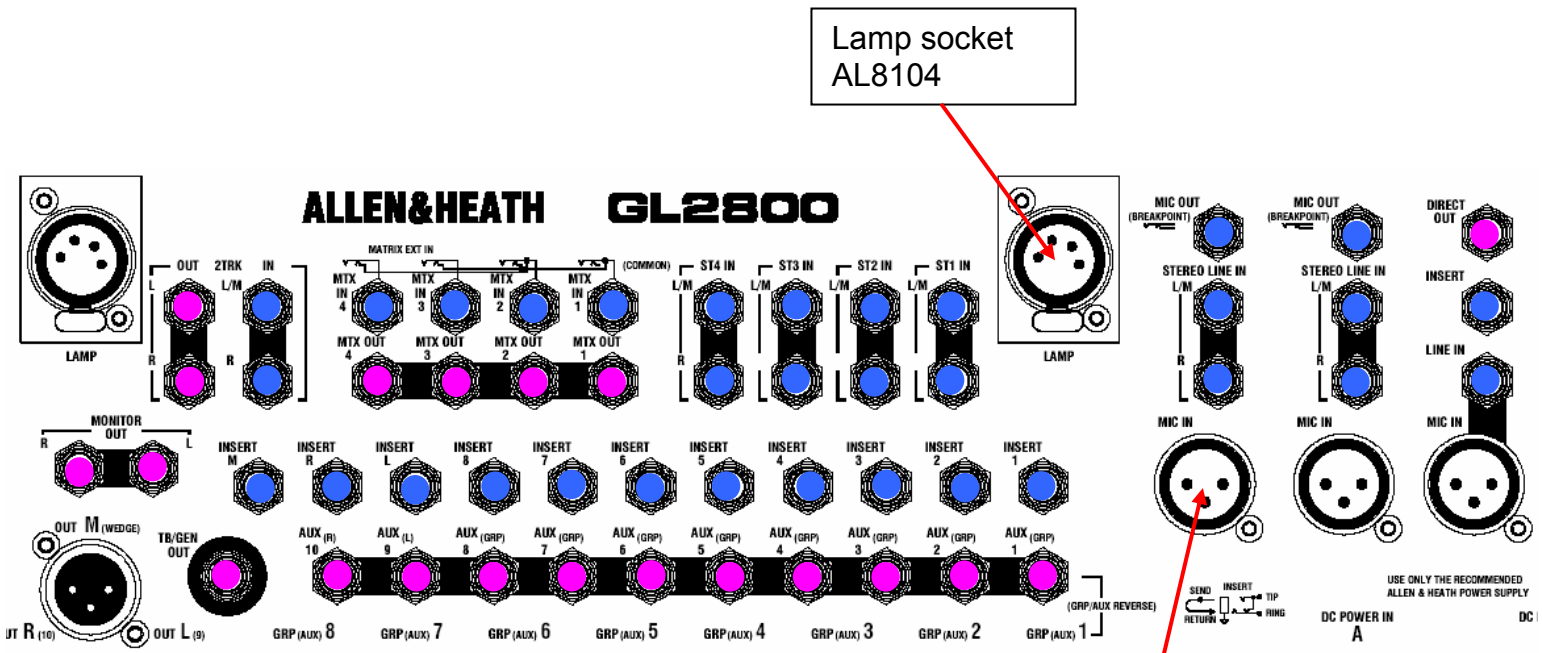


AJ8079 

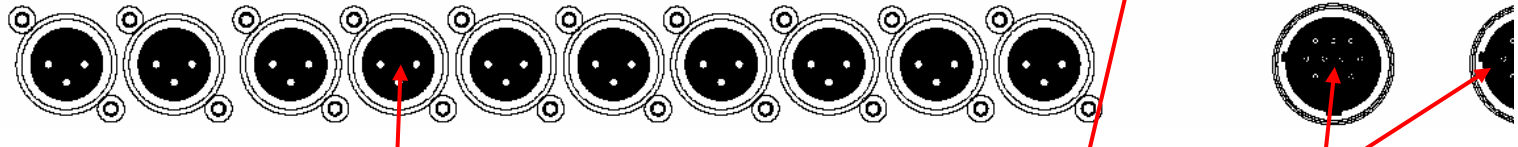
MASTER L. R. M.. MONITOR



ALLEN&HEATH GL2800

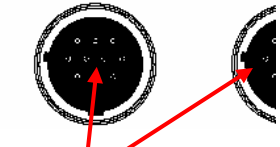


Lamp socket
AL8104



XLR female
AL2410

XLR female
AL2410



DC socket
AL8100

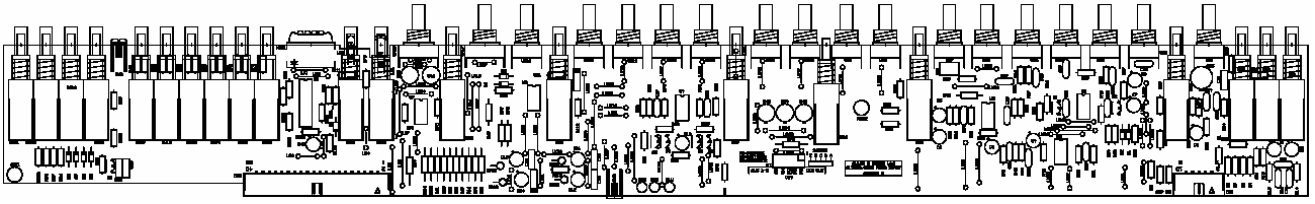
AL3410 ●

Mono channel Insert
 Mono channel Line IN
 Stereo channel Line IN L/M, R
 Stereo channel Mic OUT
 GRP 1-8 Insert
 L, R, M, Insert
 MTX IN 1-4
 2TRK IN L/M, R

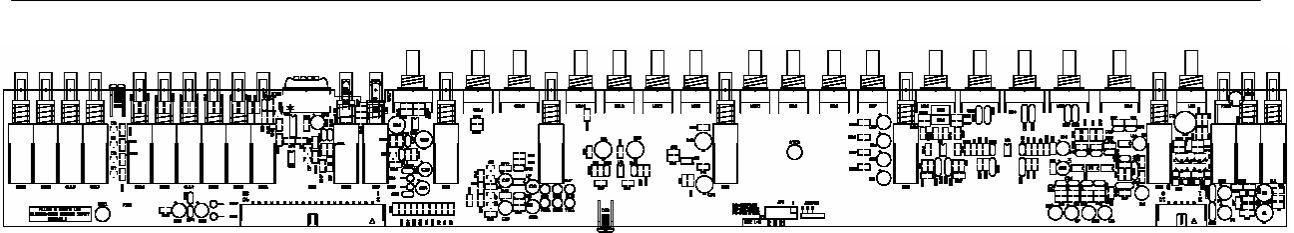
AL3407 ●

Mono channel Direct OUT
 AUX (GRP) Outputs 1-8
 MTX OUT 1-4
 2TRK OUT L, R
 Monitor OUT L, R
 TB/GEN OUT

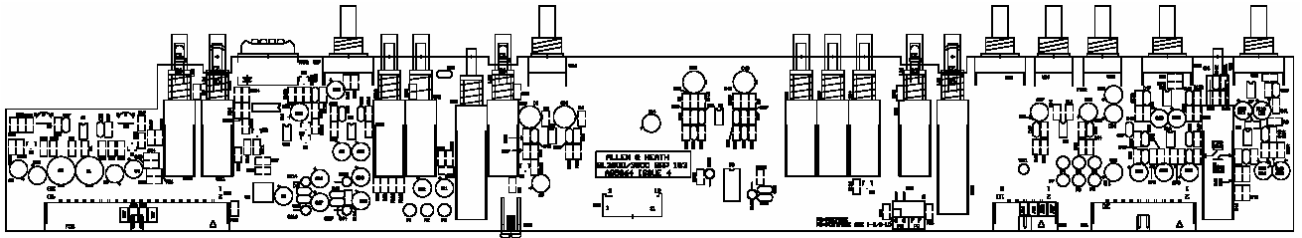
INTERIOR PARTS:



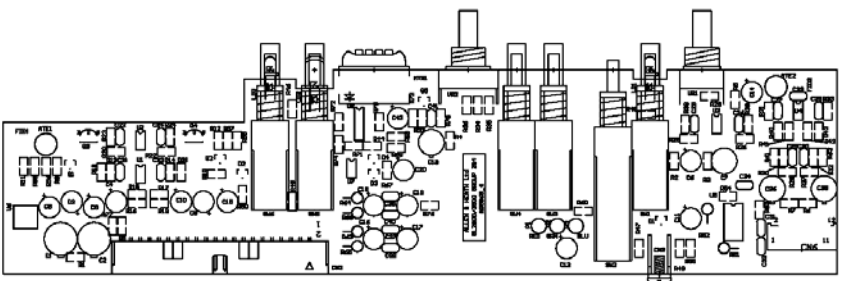
Mono i/p 003-391



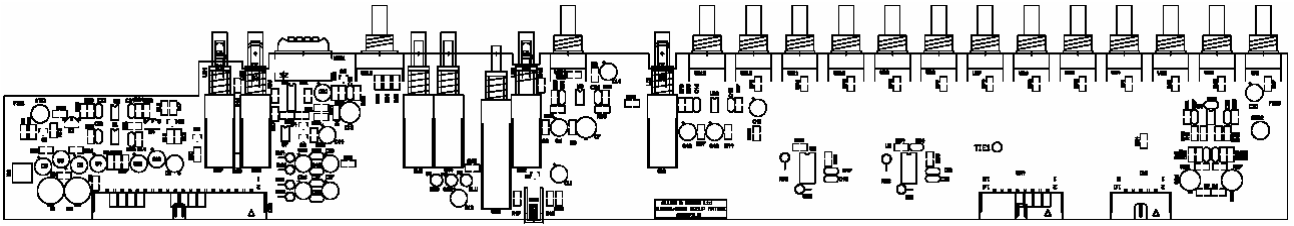
Stereo i/p 003-353



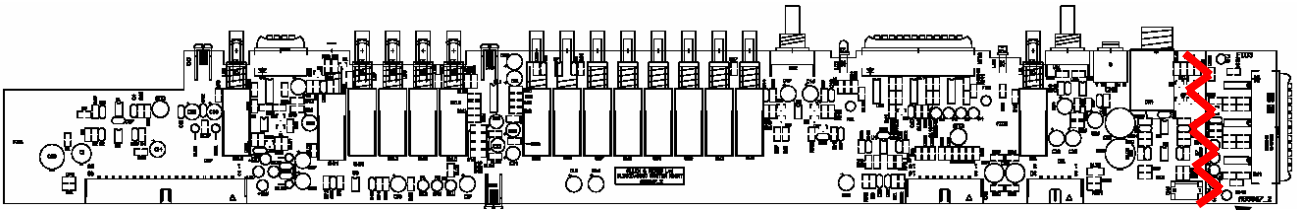
Group odd 003-354



Group even 003-355

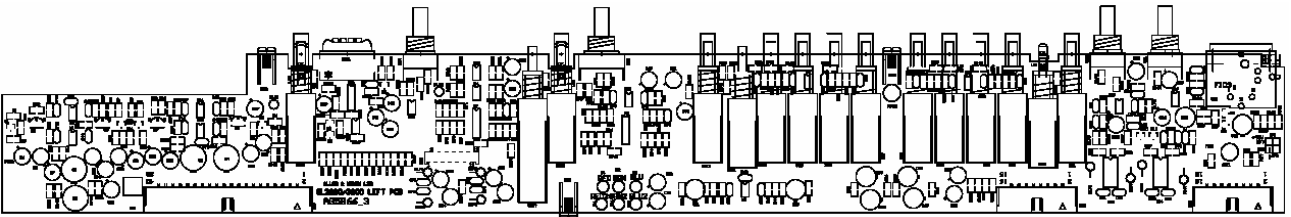


Group matrix 003-366

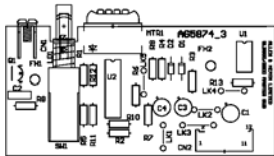


Master right 003-367

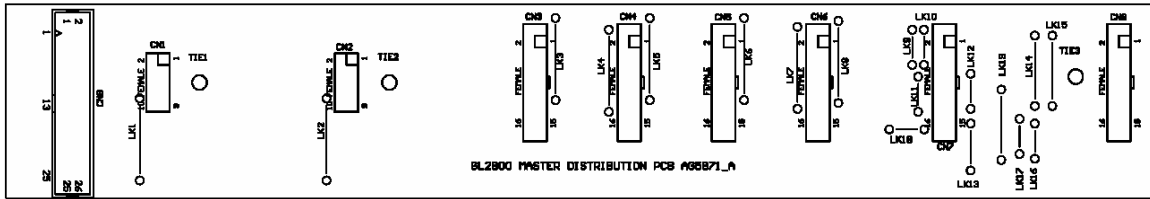
Meter break-off



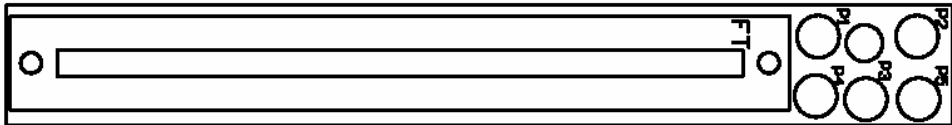
Master left 003369



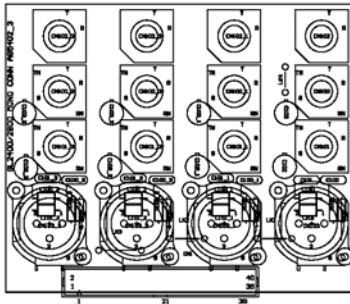
Master sub PCB 003-356



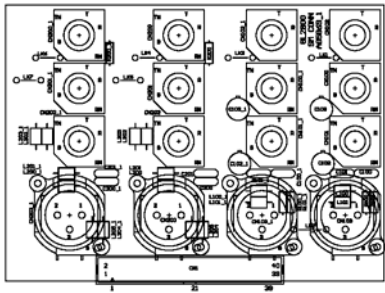
Master distribution 003-370



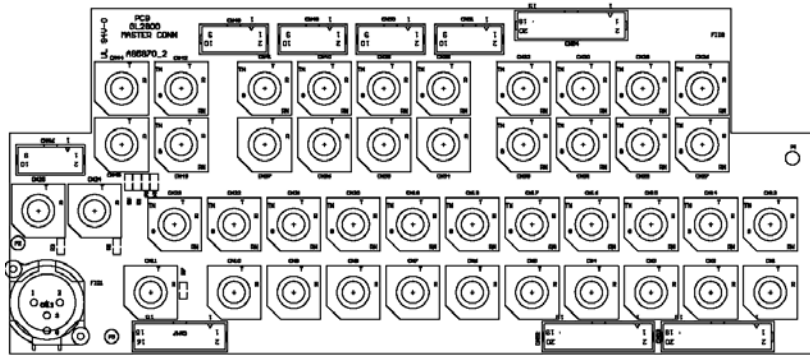
Fader biscuit 003-396



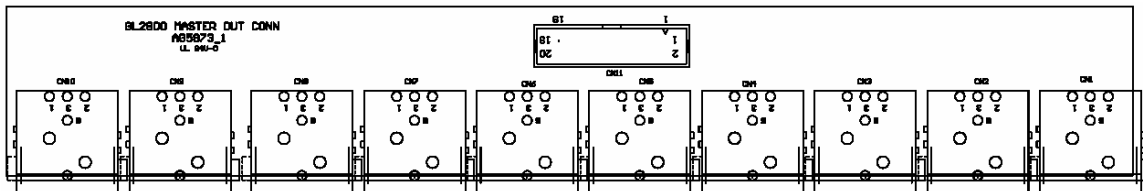
Mono connector 003-228



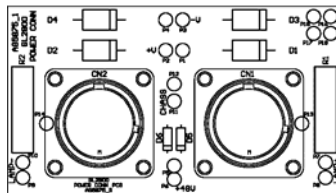
Stereo/mono connector 003-371



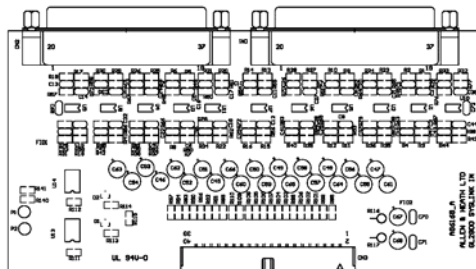
Master connector 003-368



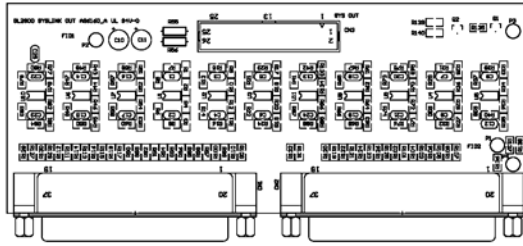
Master /o connector 003-373



Power connector 003-372



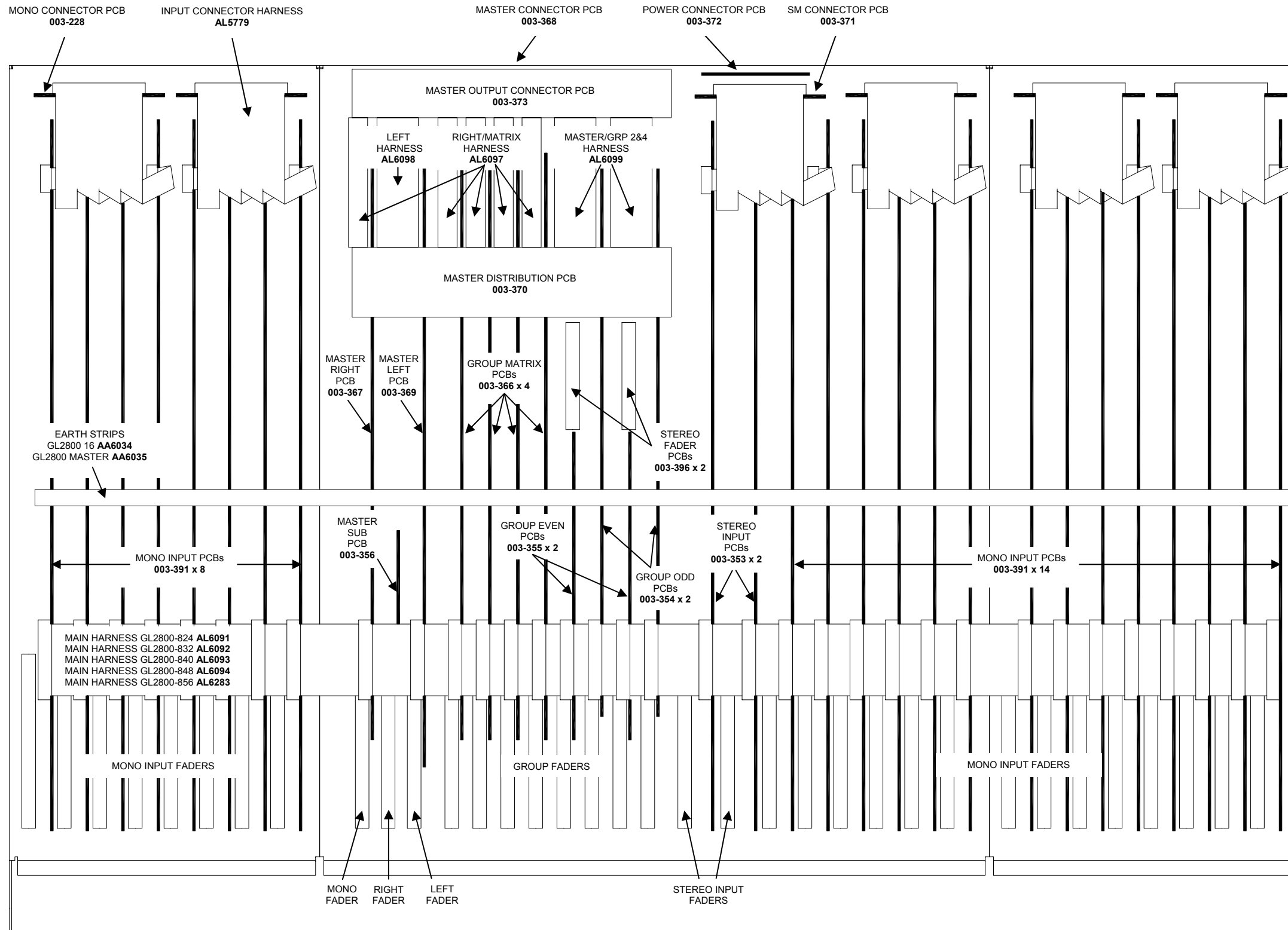
Sys-link IN 003-460



Sys-link OUT 003-473

GL2800 Internal Layout

(GL2800-824 shown)



Product	GL2800-824
.....	GL2800-832
.....	GL2800-840
.....	GL2800-848
.....	GL2800-856

Main Assembly	
GL2800-824	003-377
GL2800-832	003-379
GL2800-840	003-381
GL2800-848	003-383
GL2800-856	003-458

Mono Connector PCB	003-228
Stereo Input PCB	003-353
Group Odd PCB	003-354
Group Even PCB	003-355
Master Sub PCB	003-356
Group Matrix PCB	003-366
Master Right PCB	003-367
Master Connector PCB	003-368
Master Left PCB	003-369
Master Distribution PCB	003-370
SM Connector PCB	003-371
Power Connector PCB	003-372
Master Out Connector PCB	003-373
Mono Input PCB	003-391
Fader Biscuit PCB	003-396
SYS-LINK In PCB + Harness ...	003-460
SYS-LINK Out PCB + Harness	003-473