

# Lowell Portable Rack – 27"D

## Description:

The UL Listed (Standard 1678) portable rack is ideal for schools, training facilities, studios, educational facilities, small offices and institutions of all kinds that require an equipment rack with mobile convenience and locking security. The LPR is 27" deep with panel space of 21U or 24U. Rack includes heavy-duty casters, side panels with recessed handles, recessed rear door, surface-mount front door (choice of style), and one-pair of adjustable mounting rails tapped 10-32 (PilotPoint™ hardware included). Rails can be field-reversed to access square-punched holes for alternate hardware needs (12-24, 6mm or 10-32 screws with cage nuts). Vented sides, vented rear door (top and bottom) and vents in the frame above and below front door allow passive heat dissipation. Black wrinkle powder epoxy finish.

## Features:

- Welded 16-gauge certified U.S. steel with 14-gauge steel bottom, reinforced at all load-bearing junctures.
- Wire management features include abundant cable lacing holes and removable knockout panels above and below rear door (.5" knockouts for BNC wireless antenna, compound knockouts for conduit size .75"-.5" and 1.5"-1" and a blank project panel). There is also generous open space for managing wire between front mounting rail and front-to-rear supports.
- Surface-mount front door with key-lock is offered in three styles: solid steel, steel frame with smoked Plexiglas insert, or fully-vented (see model numbers and descriptions below).
- Recessed, vented rear door with key-lock.
- Heavy-duty 4" rubber swivel-casters have 225 lbs. load rating each (900 lbs. total) to absorb shock and smoothly transport equipment over varied surfaces (1-pair swivel, 1-pair swivel-locking).
- One-pair, adjustable mounting rails with dual-hole pattern (10-32, 12-24, 6mm) to accommodate several hardware preferences.
- PilotPoint™ screws with captive washers (mounting hardware).
- Made in U.S.A.

## Options: (order separately)

- **Laminate Top (LGT-27):** laminate-covered particle board top with rounded corners and rubber edge molding designed to overhang rack. Includes 10-32 T-nuts (installed) and mounts to tiny indents in rack using hardware provided. Graphite Grey. 24.69"W x 29.06"D x 1"H.
- **Knockout Panels for Connectors (KOP-N):** can be used in place of rear knockout panels above and below rear door. Sold in pairs, the panels provide twelve openings for field installation of connectors (Neutrik® D-Series, Switchcraft® HPC or E-Series).
- **Additional Mounting Rails (RRD-series):** additional mounting rails support rear of rack-mounted equipment. RRD-series rails feature dual-hole pattern to accommodate multiple hardware preferences.



The LPR pictured shows a solid steel front door. Fully-vented or smoked Plexiglas doors are also offered (see model numbers below).

## Options:



Optional Graphite Grey laminate top (LGT-27) adds a finished appearance.



Optional knockout panels for connectors (KOP-N).

## A&E Specifications:

The E.I.A. compliant UL Listed (Standard 1678) rack shall be Lowell Model \_\_\_\_\_, constructed of 16-gauge steel with 14-gauge steel bottom and reinforced at all junctures. The rack shall feature vents above and below the surface-mount (solid, smoked Plexiglas, or fully-vented) front door, which shall include a recessed handle and key-lock. Rack shall measure 23.06"W x 27"D x \_\_\_\_\_"H (without casters) and have \_\_\_\_\_ panel mounting space. Rack shall include one-pair swivel and one-pair swivel/locking 4" heavy-duty rubber casters with 225 lbs. load rating each (900 lbs. total), vented side panels with recessed handles, recessed rear door with vents and key-lock, and one-pair of adjustable mounting rails tapped 10-32 (field-adjustable to access square-punched holes for alternate hardware needs). The rear of the rack shall feature removable knockout panels above and below the door with .5" knockouts for BNC wireless antenna, compound knockouts for conduit size .75"-.5" and 1.5"-1", and a blank project panel. Rack finish shall be black wrinkle powder epoxy.

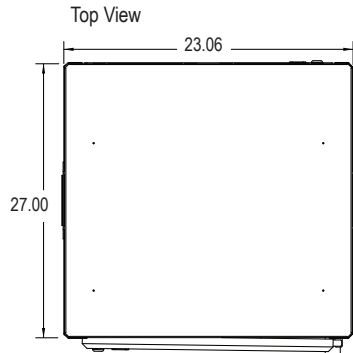
Model No.	Description	Rack Units*	Panel Space	Rack D**	Overall D**	Usable D	Rack H	Overall H***	Overall W
LPR-2127	Portable Rack with solid front door	21	36.88"	27.00"	28.00"	24.34"	42.88"	48.00"	23.06"
LPR-2127P	Portable Rack with smoked Plexiglas front door	21	36.88"	27.00"	28.00"	24.34"	42.88"	48.00"	23.06"
LPR-2127FV	Portable Rack with fully-vented front door	21	36.88"	27.00"	28.00"	24.34"	42.88"	48.00"	23.06"
LPR-2427	Portable Rack with solid front door	24	42.13"	27.00"	28.00"	24.34"	48.13"	53.25"	23.06"
LPR-2427P	Portable Rack with smoked Plexiglas front door	24	42.13"	27.00"	28.00"	24.34"	48.13"	53.25"	23.06"
LPR-2427FV	Portable Rack with fully-vented front door	24	42.13"	27.00"	28.00"	24.34"	48.13"	53.25"	23.06"
LGT-27	Graphite Grey Top (1"H)				29.06"		1.00"		24.69"
RRD-21	Rack Rails Dual-hole pattern, 1-pr	21							
RRD-24	Rack Rails Dual-hole pattern, 1-pr	24							

\* One rack unit (RU or U) = 1.75"

\*\* Unit depth is 27" without front door, 28" with front door, and 29.06" with (optional) laminate top.

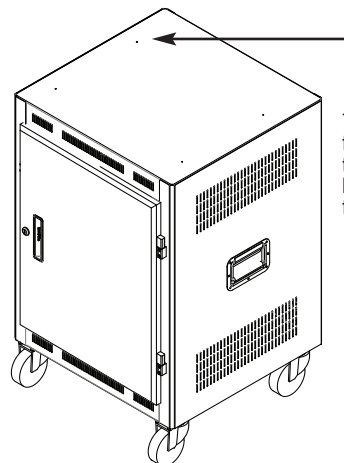
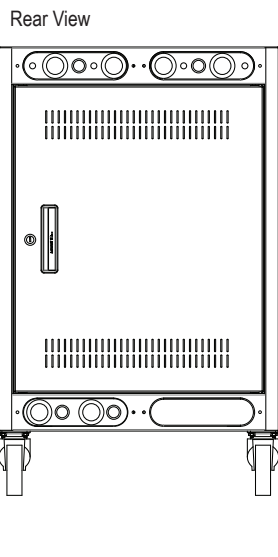
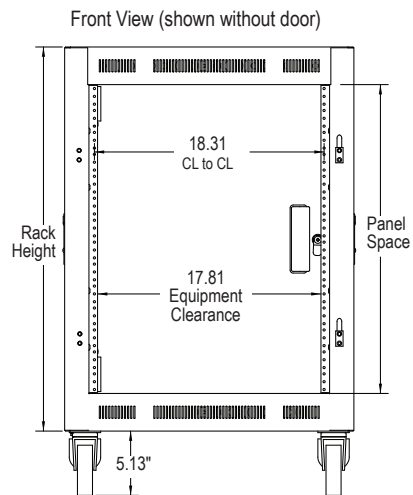
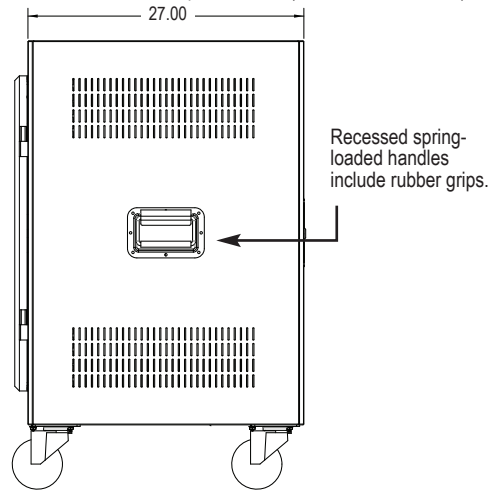
\*\*\* Overall height includes (5.13") for casters.

# Lowell Portable Rack - 27"D



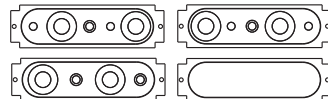
Rack includes front door (solid, fully-vented or Plexiglas) that can be field-adjusted to right or left-hand swing. Door adds one inch to rack depth.

Side View — rack depth is 27.00" (28.00" with front door).



Top of rack features tiny indents to mount optional laminate top for a finished appearance.

**Knockout panels above rear door:** include knockouts for wireless antenna (.5") and knockouts for conduit (.75-.5" and 1.5"-1").



**Knockout panels below rear door:** one panel includes knockouts for conduit (.75-.5" and 1.5"-1"); the other is a blank project panel.

All measurements are inches.