

Model: PC312

# Recessed Backbox for clock/speaker center

## Description:

Model PC312 is a recessed steel backbox engineered to house a clock-speaker center with an 8" speaker and an industry-standard 12" analog clock (speaker and clock are not included with backbox). Fabricated of 20-gauge US steel, the backbox measures 26"L x 16"W x 3"D and has a metal divider down the middle to separate the two sections. Black powder epoxy finish.



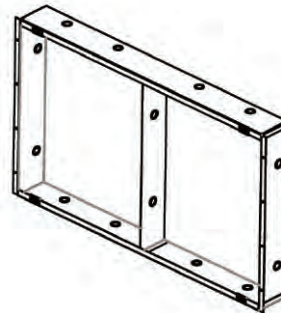
Backbox model PC312 is divided into two sections.

## Features:

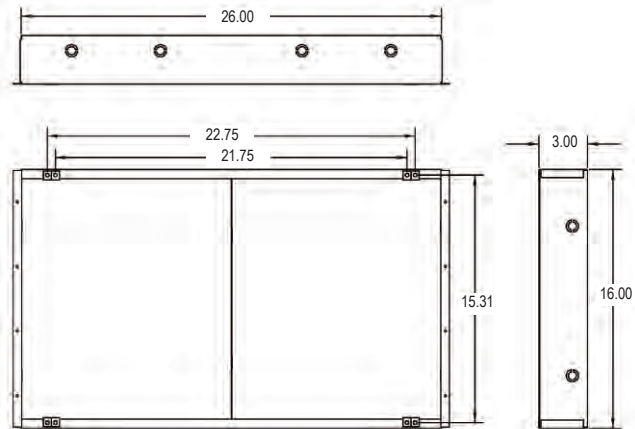
- 26"L x 16"W x 3"D
- Made in the USA
- 20-gauge certified US steel
- Steel divider between sections
- Black powder epoxy finish

## A & E Specifications:

The recessed backbox for the clock/speaker center shall be Lowell Model PC312. It shall be fabricated of 20-gauge steel and finished in black powder epoxy. It shall include a steel divider down the middle. The backbox shall measure 26"L x 16"W x 3"D.



Compatible Components: (order separately)		
Grille / frame:	AP-300	frame with full-perforation steel grille
	BP-300	frame with round-bezel steel grille
	SCB-300	frame with square-perforation steel grille
	MC-301	frame with round-perforation steel grille



Measurements are shown in inches.

Model No.	Description	Size (L x W x D)	Color	For Speaker Size	For Clock Size*
PC312	Recessed backbox for clock/speaker center	26" x 16" x 3"	Black	8"	12" analog

\*Fits industry-standard 12" analog clock. Speaker and clock are not included.

Spec. No. 1112  
(rev. 07.22.11)  
pg. 1 of 1

©2011 Lowell Manufacturing Company, 100 Ingram Dr., Pacific MO 63069. Phone-800.325.9660 Fax-636.257.6606. Lowell makes every effort to provide accurate information while reserving the right to change specifications and/or improve manufacturing methods without notification. (lowellmfg.com)

