

Models: RPSB and RPSW series

# Low Voltage Switch (wall plate or rackmount / maintained or momentary closure)

## Description:

Switch assemblies provide a low cost, low voltage way to remotely activate equipment that's connected to a remote power control (such as Lowell RPC-series) or sequence controller (such as Lowell SCS-series). Available with **momentary** (normally open) closure for applications where multiple switches are used to turn equipment on or off, or **maintained** closure for single switch applications. Each unit includes one or two LEDs to show system status and rocker or key-switch activation. Rear connections are termination strips with wire capacity up to 18-gauge. Switches are available in two styles:

**Switch with Wall Plate:** Decora-style white or black plate and sub-plate. Black models are also ideal for use with 19" rack-mount panels that have pre-punched openings (see Lowell panels D3P-ID-1, D3P-ID-2, D8P-ID-3, and D9P-ID-3). "ASM" models are only for use with sequencers that include the alternate sequence mode option.

**Switch with Rackmount Panel:** 19"W x 1U steel panel with single factory-installed switch.

## Features:

- Easy to install
- Single pole, single throw with maintained or momentary closure
- Decora-style wall plate or 1U rackmount panel
- One or two LED status indicators
- Key or rocker-switch activation
- Made in the USA



RPSW2-MP

RPSW2-MKP



RPSB2-MKP

RPSB2-MP



RPSB-MR

Model	Description	Activation	LED Qty	Style	Color
<b>WALL PLATE:</b>					
<b>Wall plate switch with MOMENTARY CLOSURE (for multi-switch use)</b>					
RPSB2-MKP	Switch momentary SPST	key	2-LED	1-gang Decora wall plate	black
RPSB2-MP	Switch momentary SPST	rocker	2-LED	1-gang Decora wall plate	black
RPSB-MKP	Switch momentary SPST	key	1-LED	1-gang Decora wall plate	black
RPSB-MP	Switch momentary SPST	rocker	1-LED	1-gang Decora wall plate	black
RPSW2-MKP	Switch momentary SPST	key	2-LED	1-gang Decora wall plate	white
RPSW2-MP	Switch momentary SPST	rocker	2-LED	1-gang Decora wall plate	white
RPSW-MKP	Switch momentary SPST	key	1-LED	1-gang Decora wall plate	white
RPSW-MP	Switch momentary SPST	rocker	1-LED	1-gang Decora wall plate	white
<b>Wall plate switch with MAINTAINED CLOSURE (for single-switch use)</b>					
RPSB-KP	Switch maintained SPST	key	1-LED	1-gang Decora wall plate	black
RPSB-P	Switch maintained SPST	rocker	1-LED	1-gang Decora wall plate	black
RPSW-KP	Switch maintained SPST	key	1-LED	1-gang Decora wall plate	white
RPSW-P	Switch maintained SPST	rocker	1-LED	1-gang Decora wall plate	white
RPSB-KP-ASM	Switch maintained SPST (for sequencers with ASM only)	key	1-LED	1-gang Decora wall plate	black
RPSB-KP-ASM	Switch maintained SPST (for sequencers with ASM only)	key	1-LED	1-gang Decora wall plate	white

## RACKMOUNT:

<b>Rackmount panel switch with MOMENTARY CLOSURE (for multi-switch use)</b>					
RPSB2-MKR	Switch momentary SPST	key	2-LED	19"W x 1U rack panel	black
RPSB2-MR	Switch momentary SPST	rocker	2-LED	19"W x 1U rack panel	black
RPSB-MKR	Switch momentary SPST	key	1-LED	19"W x 1U rack panel	black
RPSB-MR	Switch momentary SPST	rocker	1-LED	19"W x 1U rack panel	black
<b>Rackmount panel switch with MAINTAINED CLOSURE (for single-switch use)</b>					
RPSB-KR	Switch maintained SPST	key	1-LED	19"W x 1U rack panel	black
RPSB-R	Switch maintained SPST	rocker	1-LED	19"W x 1U rack panel	black

RPSW-KEY Replacement keys (2) for key-switch models

One rack unit (RU or U) = 1.75"

Spec. No. **1c-402**  
(rev. 12.05.11)  
pg. 1 of 2

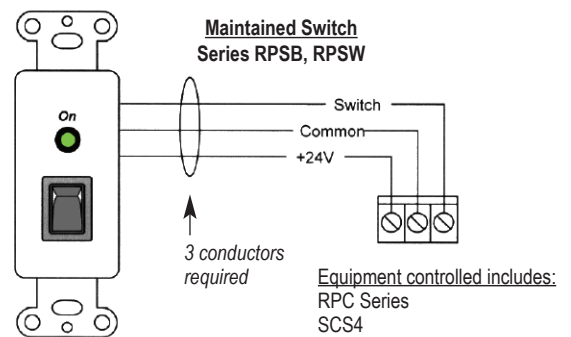
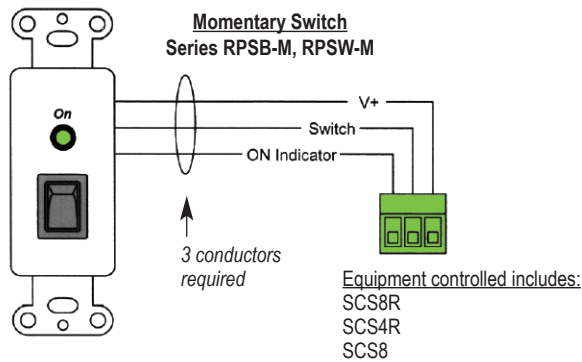
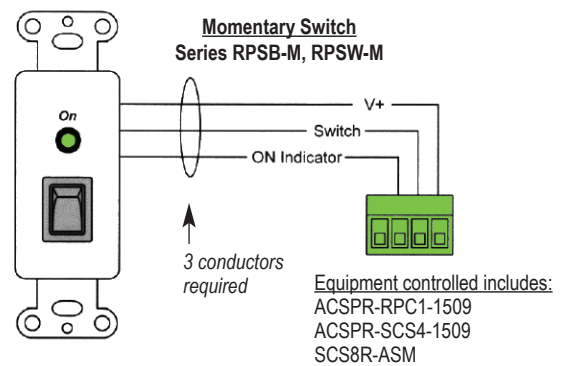
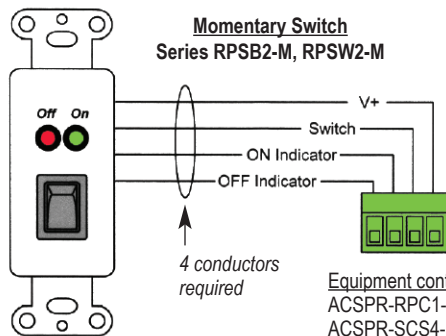
©2011 Lowell Manufacturing Company, 100 Ingram Dr., Pacific MO 63069. Phone-800.325.9660  
Fax-636.257.6606. Lowell makes every effort to provide accurate information while reserving the right to change specifications and/or improve manufacturing methods without notification. (lowellmfg.com)

**Lowell™**

## A & E Specifications:

Switch assemblies for low voltage remote activation of equipment shall be Lowell Model \_\_\_\_\_. Switch assemblies shall operate in conjunction with a remote power control or sequential power control (ordered separately). Switches shall be \_\_\_\_\_ (Decora-style wall plate or 1U 19"W rackmount panel) with \_\_\_\_\_ (momentary or maintained) closure. Switches shall include \_\_\_\_\_ (one or two) status LEDs and \_\_\_\_\_ (rocker switch or key-switch) activation. Rear connection termination strips shall have a wire capacity up to 18-gauge.

## Typical Wiring:



*Maximum wire distances: 24ga.: 20,000 ft (aprox. 3.5 miles), 22ga.: 31,200 ft. (aprox. 5.5 miles), 18ga.: 76,800 ft. (aprox. 13.5 miles)*