

Model: USE-series

Utility Shelf for Electronics

Description:

The utility shelf for electronics is a 19"W x 10"D multi-purpose assembly that features a welded front closure panel for security, and a punched bottom for easy screw-mount installation of chassis-style audio accessories (non-rackmount devices that have a nominal measurement of 3" x 5", 3" x 7" or 5" x 6").* Shelves are precision-formed from 16-gauge US steel and include a welded solid front panel, punched bottom, rear retaining flange (.438"H), rear cable lacing points and side cable openings (1-1/2" diameter). Shelves mount to the front mounting rails of E.I.A. standard 19"W racks and have a load rating of 50 lbs. Includes mounting hardware. Black powder epoxy finish.



The USE-series (utility shelf for electronics) includes a solid front panel.

Features:

- Rugged 16-gauge US steel with solid front panel.
- Mounts on front rails of 19"W EIA rack.
- Load Capacity: 50 lbs.
- Smooth black powder epoxy finish.
- Punched to mount Lowell RPC-series remote power controls and similar chassis-style devices.
- Two sizes: 2U or 3U
- Made in the USA.

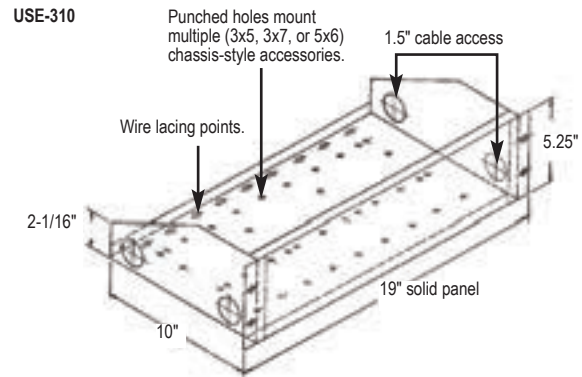
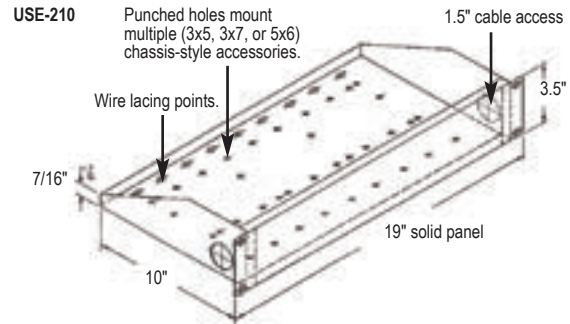
A & E Specifications:

The shelf for 19"W rackmount use shall be Lowell Model _____. The 10"D shelf shall have a panel space height of _____. It shall include a solid front panel and be punched on the bottom to accept screw mount chassis-style accessories. It shall have side openings for cable entry and wire-tie slots. It shall be 16-gauge US steel, support up to 50 lbs. and have a black powder epoxy finish.

Optional Accessories: (order separately)

Accessories that are ideally suited for screw-mount installation into the shelf's pre-punched holes include:

- **RPC-1 series:** remote power controls
- **MSM2:** momentary switch module
- **SCS-4:** sequential switcher
- **SMG-1:** sound masking generator
- **RY-series:** relay modules
- **TLM-600:** impedance-matching transformer



| Model No. | Description | Former No. | Rack Units | Panel Space | Depth | Carton Pack | Useable Width |
|-----------|-------------------------------|------------|------------|-------------|-------|-------------|---------------|
| USE-210 | Utility Shelf for Electronics | L15-310E | 2 | 3.50" | 10" | 2 | 17.562" |
| USE-310 | Utility Shelf for Electronics | L15-510E | 3 | 5.25" | 10" | 2 | 17.562" |

1 rack unit = 1.75"