

# OWNER MANUAL

**SUB 8006-AS**  
**SUB 8004-AS**

HIGH OUTPUT ACTIVE  
SUBWOOFERS







**ENGLISH**  
**ITALIANO**

**4**  
**11**

**SAFETY PRECAUTIONS**

1. All the precautions, in particular the safety ones, must be read with special attention, as they provide important information.

**2. POWER SUPPLY FROM MAINS**

- a. The mains voltage is sufficiently high to involve a risk of electrocution; install and connect this product before plugging it in.
- b. Before powering up, make sure that all the connections have been made correctly and the voltage of your mains corresponds to the voltage shown on the rating plate on the unit, if not, please contact your RCF dealer.
- c. The metallic parts of the unit are earthed through the power cable. An apparatus with CLASS I construction shall be connected to a mains socket outlet with a protective earthing connection.
- d. Protect the power cable from damage; make sure it is positioned in a way that it cannot be stepped on or crushed by objects.
- e. To prevent the risk of electric shock, never open this product: there are no parts inside that the user needs to access.

3. Make sure that no objects or liquids can get into this product, as this may cause a short circuit. This apparatus shall not be exposed to dripping or splashing. No objects filled with liquid, such as vases, shall be placed on this apparatus. No naked sources (such as lighted candles) should be placed on this apparatus.

4. Never attempt to carry out any operations, modifications or repairs that are not expressly described in this manual.

Contact your authorized service centre or qualified personnel should any of the following occur:

- The product does not function (or functions in an anomalous way).
- The power cable has been damaged.
- Objects or liquids have got in the unit.
- The product has been subject to a heavy impact.

5. If this product is not used for a long period, disconnect the power cable.

6. If this product begins emitting any strange odours or smoke, switch it off immediately and disconnect the power cable.

7. Do not connect this product to any equipment or accessories not foreseen.

For suspended installation, only use the dedicated anchoring points and do not try to hang this product by using elements that are unsuitable or not specific for this purpose. Also check the suitability of the support surface to which the product is anchored (wall, ceiling, structure, etc.), and the components used for attachment (screw anchors, screws, brackets not supplied by RCF etc.), which must guarantee the security of the system / installation over time, also considering, for example, the mechanical vibrations normally generated by transducers.

To prevent the risk of falling equipment, do not stack multiple units of this product unless this possibility is specified in the user manual.

**8. RCF S.p.A. strongly recommends this product is only installed by professional qualified installers (or specialised firms) who can ensure correct installation and certify it according to the regulations in force.**

**The entire audio system must comply with the current standards and regulations regarding electrical systems.**

9. Supports and trolleys

The equipment should be only used on trolleys or supports, where necessary, that are recommended by the manufacturer. The equipment / support / trolley assembly must be moved with extreme caution. Sudden stops, excessive pushing force and uneven floors may cause the assembly to overturn.

**IMPORTANT**

**10.** There are numerous mechanical and electrical factors to be considered when installing a professional audio system (in addition to those which are strictly acoustic, such as sound pressure, angles of coverage, frequency response, etc.).

**11. Hearing loss**

Exposure to high sound levels can cause permanent hearing loss. The acoustic pressure level that leads to hearing loss is different from person to person and depends on the duration of exposure. To prevent potentially dangerous exposure to high levels of acoustic pressure, anyone who is exposed to these levels should use adequate protection devices. When a transducer capable of producing high sound levels is being used, it is therefore necessary to wear ear plugs or protective earphones. See the manual technical specifications to know the maximum sound pressure level.

**IMPORTANT NOTES**

To prevent the occurrence of noise on line signal cables, use screened cables only and avoid putting them close to:

- Equipment that produces high-intensity electromagnetic fields.
- Power cables.
- Loudspeaker lines.

**IMPORTANT NOTES**



**OPERATING PRECAUTIONS**



**OPERATING PRECAUTIONS**

- Place this product far from any heat sources and always ensure an adequate air circulation around it.
- Do not overload this product for a long time.
- Never force the control elements (keys, knobs, etc. ).
- Do not use solvents, alcohol, benzene or other volatile substances for cleaning the external parts of this product.

**IMPORTANT NOTES**

Before connecting and using this product, please read this instruction manual carefully and keep it on hand for future reference. The manual is to be considered an integral part of this product and must accompany it when it changes ownership as a reference for correct installation and use as well as for the safety precautions. RCF S.p.A. will not assume any responsibility for the incorrect installation and / or use of this product.

**WARNING:** To prevent the risk of fire or electric shock, never expose this product to rain or humidity.

**IMPORTANT NOTES**



**WARNING**





### Evolution in technology, revolution in sound.

The RCF Team always has the performer's needs at the forefront of the design in order to create new lines of speakers with renewed features, improved sound clarity and definition and even lighter weight systems.

Every detail of the Sub Series has been carefully studied in order to offer musicians and professionals the perfect tool to amplify their performance, night after night.

High quality materials, precise manufacturing, careful assembly and extensive quality control procedures complete the groundbreaking design work of the RCF R&D team.

All transducers are precision built taking advantage of RCF's superior moulding, assembly technologies and a wealth of professional knowledge and experience dedicated to achieving extremely high standards.

All the transducers in Sub Series speakers feature high power magnets in order to guarantee the best performance and power handling.

Sub Series Subwoofers are equipped with a new generation of Digital Amplifiers. The result of this is very high output, extremely low distortion and an incredible natural sound.

The amplifier features a solid mechanical aluminium structure which not only stabilize the amplifier during transportation but also assist in the heat dissipation.

The new loudspeaker design looks aggressive whilst retaining perfect ergonomics and is the result of extensive combined functional and acoustic research.

The Sub Series Subwoofer cabinets are built in birch plywood and are designed to dampen down vibrations even at maximum volume settings. The reflex porting has been resized to offer a better efficiency. The cabinets are equipped with ergonomically designed forged aluminium handles with rubber handgrip. Rugged steel pole mount has been installed in all models.

The SUB 8006-AS, sub 8004-AS are high power, high output active subwoofer systems that set a new standard in professional sound reinforcement.

Each transducer has been specifically designed for the application. The woofer provides large excursion and very light weight.

#### The SUB 8006-AS, SUB 8004-AS 18" woofers features:

- lightweight, high force, magnet assembly;
- 100 mm diameter, 30 mm length, inside-outside copper voice coil;
- silicon reinforced double spiders;
- carbon fiber doped, water resistant treated cone;
- hyper-venting ventilation system for minimum power compression.

#### The SUB 8006-AS, SUB 8004-AS input section provides:

- In/Out XLR connectors;
- crossover Output XLR connector;
- system sensitivity control (linear potentiometer) (-2 dBu ~ +10 dBu);
- crossover set-up;
- deep-punch set-up;
- delay set-up rotary switch;
- cardioid set-up switch;
- 3 status LEDs.

#### The SUB 8006-AS, SUB 8004-AS amplifier section features:

- 2 x 1250 Watt Digital amplifier modules (1 X SUB 8004-AS);
- powercon AC input connector;
- vibrostop floating aluminum panel.

## COMPONENTS

## AMPLIFIERS

## CABINETS

## SUB 8006-AS, SUB 8004-AS HIGH OUTPUT SUBWOOFERS



- 1 MAIN SIGNAL XLR INPUT (BAL/UNBAL). The system accept female XLR input connectors and line-level signals from a mixing console or other signal source.
- 2 SIGNAL LINK XLR OUTPUT. The output XLR male connector provides a loop trough for speakers daisy chaining.
- 3 XOVER SIGNAL OUTPUT. The output XLR male connector provides a crossover high passed signal (24 dB/octave) for satellites speakers.
- 4 INPUT SENSITIVITY. Controls the overall signal level at the input to the power amplifier. The control ranges from + ∞ dBu (maximum attenuation) to the -2 dBu – MAX sensitivity (maximum input gain). The centre detent is +4 dBu (nominal level required to drive the amplifier at maximum power).
- 5 DEEP - PUNCH. This switch provides a DEEP equalisation (flat response down to 30 Hz) or a PUNCH equalisation with a boosted equalisation at 70 Hz.
- 6 XOVER 90/120 HZ. Provides 24 dB/octave low-pass filtering at 90 Hz if released, at 120 Hz if pressed. The same crossover frequency in high-pass is available from XOVER OUTPUT XLR.
- 7 TIME DELAY ENCODER. This encoder provides a time delay setting expressed in meters.
- 8 POWER INDICATOR. Power on indicator. When the power cord is connected and the power switch is turned on this indicator lights green.
- 9 SIGNAL INDICATOR. The signal indicator lights green if there is signal present on the main XLR input.
- 10 LIMITER INDICATOR. The amplifier has a built in compressor/limiter circuit to prevent clipping of the amplifiers or overdriving the transducers. When the compressor is active the led is blinking yellow. When the soft clipping circuit is active the LED blinks orange. It is okay if the limit LED blinks occasionally. If the LED blinks frequently or lights continuously, turn down the signal level. The amplifier has a built in RMS limiter. If the RMS limiter is active the LED lights red. The RMS limiter has the purpose to prevent damages the transducers. The speaker shall never be used with the limit indicator red, continuously. Continuous operation with the RMS protection active can cause damages to the speaker.
- 11 PHASE SWITCH. This switch reverse the phase of the output signal.

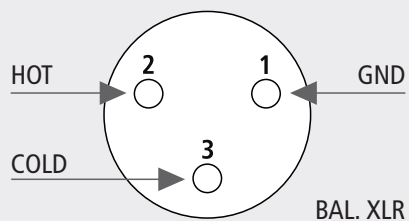
- 12** **CARDIOID SET-UP SWITCH.** This switch provides a special equalisation and delay setting to create a cardioid pattern when the system is used in conjunction with two other sub 8006-AS modules.
- 13** **POWER MAIN SWITCH.** The power switch turns the AC power ON and OFF. Make sure that the sensitivity is set to  $+\infty$  dBu when you turn on the speaker.
- 14** **AC POWERCON RECEPTACLE.** RCF SUB series uses a POWERCON locking 3-pole AC mains. Always use the specific power cord provided in the package.

The XLR connectors use the following AES standard:

PIN 1 = GROUND (SHIELD)

PIN 2 = HOT (+)

PIN 3 = COLD (-)



At this point you can connect the power supply cable and the signal cable, but before turning on the speaker make sure that the volume control is at the minimum level (even on the mixer output). It is important that the mixer is already ON before turning on the speaker. This will avoid damage to the speakers and noisy "bumps" due to turning on parts on the audio chain. It is a good practice to always turn on speakers at last and turn them off immediately after the show.

Now you can turn ON the speaker and adjust the volume control to a proper level.

The delay is expressed in meters.

To set the system time delay rotate to the wanted delay setting. When using multiple subwoofers set carefully all the subwoofers in the same group to the exact same delay.

It is possible to create subwoofer cardioid systems using groups of three modules.

A group is made of three modules, the group shall be made as follow:

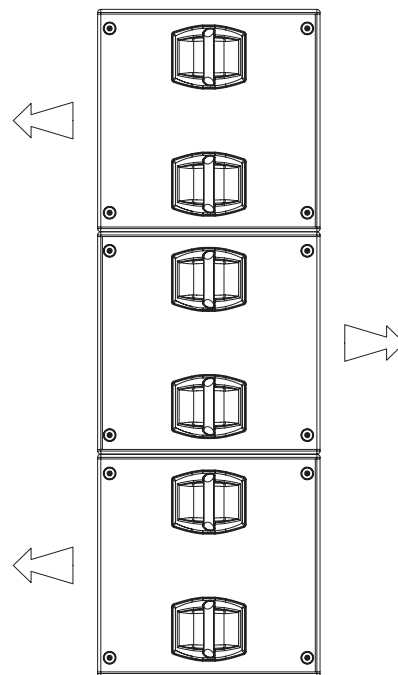
- 2 modules pointing in forward direction, cardioid switch released;
- 1 module pointing in backward direction, cardioid switch pressed;
- all 3 modules shall have the same settings (system delay, sensitivity, x-low cut, x-over, ...).

## CONNECTIONS

### BEFORE TURNING ON THE SPEAKER

### TIME DELAY SETTING

### CARDIOID SET-UP

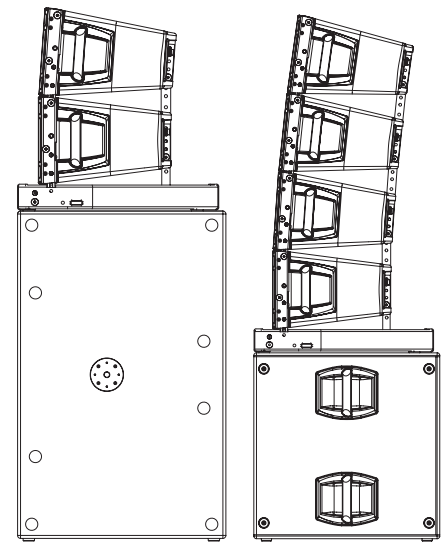




It is possible to stack HDL 20-A on top of SUB 8006-AS in vertical or horizontal position.  
It is possible to stack HDL 20-A on top of SUB 8004-AS in horizontal position.  
It is possible to stack HDL 10-A on top of SUB 8004-AS in vertical position.

Always stack the systems using the HDL 20-A (HDL 10-A) fly bar and the locking accessory (part number 13360231).

## STACKING



## INSTALLATION



**WARNING:** Never suspend SUB Series subwoofers by their handles. Handles are intended for transportation, not for rigging

**WARNING:** Always make sure that the maximum current requirement does not exceed the maximum admitted POWERCON current. In case of doubt call the closest RCF SERVICE CENTRE.

### SUB 8006-AS, SUB 8004-AS INTERNAL FUSE

**220-240V** 2XFUSE T 6.3 A H 250 V (1 X SUB 8004-AS)

**100-120V** 2XFUSE T 10 A H 250 V (1 X SUB 8004-AS)

**WARNING**



**WARNING**



**SUB 8006-AS,  
SUB 8004-AS  
INTERNAL FUSE**



The following accessories are separately available:

**13360029 AC WK SW**  
SWIVEL WHEELS KIT



**13360029 AC WK FX**  
FIXED WHEELS KIT



**13360231 AC CONNECTION SUB 8006-AS**  
ACCESSORY TO LOCK FLY BAR



**13360138 AC POWER CABLE 6XTTL55**  
POWER CABLE  
1 piece for EVERY 6 pieces of SUB8006-AS



**13360145 AC POWER BOX 6XTTL55**  
EUROPEAN STAGE BOX TO POWER 6 SUB 8006-AS  
Full compatibility with Socapex SL 419 Series



**13360146 AC POWER EXTENSION TTL55**  
POWER EXTENSION CABLE  
20 meters AC power extension cable – Full compatibility with Socapex SL 419 Series





## AVVERTENZE PER LA SICUREZZA

**1.** Tutte le avvertenze, in particolare quelle relative alla sicurezza, **devono essere lette con particolare attenzione**, in quanto contengono importanti informazioni.

### 2. ALIMENTAZIONE DIRETTA DA RETE

- a. La tensione di alimentazione dell'apparecchio ha un valore sufficientemente alto da costituire un rischio di folgorazione per le persone: non procedere mai all'installazione o connessione dell'apparecchio con l'alimentazione inserita.
- b. Prima di alimentare questo prodotto, assicurarsi che tutte le connessioni siano corrette e che la tensione della vostra rete di alimentazione corrisponda quella di targa dell'apparecchio, in caso contrario rivolgetevi ad un rivenditore RCF.
- c. Le parti metalliche dell'apparecchio sono collegate a terra tramite il cavo di alimentazione. Un apparecchio avente costruzione di CLASSE I deve essere connesso alla presa di rete con un collegamento alla terra di protezione.
- d. Accertarsi che il cavo di alimentazione dell'apparecchio non possa essere calpestato o schiacciato da oggetti, al fine di salvaguardarne la perfetta integrità.
- e. Per evitare il rischio di shock elettrici, non aprire mai l'apparecchio: all'interno non vi sono parti che possono essere utilizzate dall'utente.

**3.** Impedire che oggetti o liquidi entrino all'interno del prodotto, perché potrebbero causare un corto circuito. L'apparecchio non deve essere esposto a stillicidio o a spruzzi d'acqua; nessun oggetto pieno di liquido, quali vasi, deve essere posto sull'apparecchio. Nessuna sorgente di fiamma nuda (es. candele accese) deve essere posta sull'apparecchio.

**4.** Non eseguire sul prodotto interventi / modifiche / riparazioni se non quelle espressamente descritte sul manuale istruzioni.

Contattare centri di assistenza autorizzati o personale altamente qualificato quando:

- l'apparecchio non funziona (o funziona in modo anomalo);
- il cavo di alimentazione è danneggiato;
- oggetti o liquidi sono entrati nell'apparecchio;
- l'apparecchio ha subito forti urti.

**5.** Qualora questo prodotto non sia utilizzato per lunghi periodi, scollegare il cavo d'alimentazione.

**6.** Nel caso che dal prodotto provengano odori anomali o fumo, spegnerlo immediatamente e scollegare il cavo d'alimentazione.

**7.** Non collegare a questo prodotto altri apparecchi e accessori non previsti.

Quando è prevista l'installazione sospesa, utilizzare solamente gli appositi punti di ancoraggio e non cercare di appendere questo prodotto tramite elementi non idonei o previsti allo scopo.

Verificare inoltre l'idoneità del supporto (parete, soffitto, struttura ecc., al quale è ancorato il prodotto) e dei componenti utilizzati per il fissaggio (tasselli, viti, staffe non fornite da RCF ecc.) che devono garantire la sicurezza dell'impianto / installazione nel tempo, anche considerando, ad esempio, vibrazioni meccaniche normalmente generate da un trasduttore.

Per evitare il pericolo di cadute, non sovrapporre fra loro più unità di questo prodotto, quando questa possibilità non è espressamente contemplata dal manuale istruzioni.

**8.** La RCF S.p.A. **raccomanda vivamente che l'installazione di questo prodotto sia eseguita solamente da installatori professionali qualificati (oppure da ditte specializzate) in grado di farla correttamente e certificarla in accordo con le normative vigenti. Tutto il sistema audio dovrà essere in conformità con le norme e le leggi vigenti in materia di impianti elettrici.**

**9.** La RCF S.p.A. raccomanda vivamente che l'installazione di questo prodotto sia eseguita

IMPORTANTE



solamente da installatori professionali qualificati (oppure da ditte specializzate) in grado di farla correttamente e certificarla in accordo con le normative vigenti.

Tutto il sistema audio dovrà essere in conformità con le norme e le leggi vigenti in materia di impianti elettrici.

**10.** Vi sono numerosi fattori meccanici ed elettrici da considerare quando si installa un sistema audio professionale (oltre a quelli prettamente acustici, come la pressione sonora, gli angoli di copertura, la risposta in frequenza, ecc.).

#### **11.** Perdita dell'udito

L'esposizione ad elevati livelli sonori può provocare la perdita permanente dell'udito. Il livello di pressione acustica pericolosa per l'udito varia sensibilmente da persona a persona e dipende dalla durata dell'esposizione. Per evitare un'esposizione potenzialmente pericolosa ad elevati livelli di pressione acustica, è necessario che chiunque sia sottoposto a tali livelli utilizzi delle adeguate protezioni; quando si fa funzionare un trasduttore in grado di produrre elevati livelli sonori è necessario indossare dei tappi per orecchie o delle cuffie protettive. Consultare i dati tecnici del manuale d'uso per conoscere le massime pressioni sonore che i monitor da studio sono in grado di produrre.

#### **NOTE IMPORTANTI**

Per evitare fenomeni di rumorosità indotta sui cavi che trasportano segnali dai microfoni o di linea (per esempio OdB), usare solo cavi schermati ed evitare di posarli nelle vicinanze di:

- apparecchiature che producono campi elettromagnetici di forte intensità;
- cavi di rete;
- linee che alimentano altoparlanti.

#### **NOTE IMPORTANTI**



## **PRECAUZIONI D'USO**



#### **PRECAUZIONI D'USO**

- Collocare il prodotto lontano da fonti di calore e lasciare dello spazio libero intorno per garantire la circolazione dell'aria.
- Non sovraccaricare questo prodotto per lunghi periodi.
- Non forzare mai gli organi di comando (tasti, manopole ecc.).
- Non usare solventi, alcool, benzina o altre sostanze volatili per la pulitura delle parti esterne.

#### **NOTE IMPORTANTI**

Prima di collegare ed utilizzare questo prodotto, leggere attentamente le istruzioni contenute in questo manuale, il quale è da conservare per riferimenti futuri.

Il presente manuale costituisce parte integrante del prodotto e deve accompagnare quest'ultimo anche nei passaggi di proprietà, per permettere al nuovo proprietario di conoscere le modalità d'installazione e d'utilizzo e le avvertenze per la sicurezza.

L'installazione e l'utilizzo errati del prodotto esimono la RCF S.p.A. da ogni responsabilità.

**ATTENZIONE:** Per prevenire i rischi di fiamme o scosse elettriche, non esporre mai questo prodotto alla pioggia o all'umidità.

#### **NOTE IMPORTANTI**



#### **ATTENZIONE**



**Evoluzione tecnologica, Rivoluzione nel suono.**

Il team RCF ha sempre i desideri dei propri clienti come primo obiettivo di ogni progetto, creando nuove linee di casse acustiche con caratteristiche rinnovate, sempre migliori definizione e chiarezza del suono, pesi sempre più contenuti.

Ogni dettaglio della SUB Series è stato attentamente studiato per offrire a musicisti e professionisti strumenti perfetti per amplificare le proprie performances, serata dopo serata. Materiali di alta qualità, lavorazioni di precisione, cura nell'assemblaggio e controlli di qualità estesi completano l'incredibile lavoro del team R&D di RCF.

Risultati di eccellenza sono ottenuti grazie all'esperienza, il know how distribuito e standard produttivi estremamente elevati.

Tutti i trasduttori della SUB Series sono dotati di magneti ad alta energia per una perfetta performance e per offrire il massimo dell'affidabilità.

**I Subwoofer Sub Series sono equipaggiati con un amplificatore digitale di nuova generazione.** Il risultato sono una pressione acustica elevatissima, distorsioni bassissime ed un suono incredibilmente naturale.

L'amplificatore è dotato di una robusta struttura di alluminio che non solo lo rende robusto durante il trasporto e gli urti ma assiste la dissipazione termica.

Il nuovo design della Sub Series risulta aggressivo pur mantenendo caratteristiche ergonomiche familiari ed è il risultato di estese ricerche sia acustiche che funzionali.

I mobili sono costruiti in multistrato di betulla e sono progettati in modo da smorzare le vibrazioni della struttura anche ai massimi volumi. I condotti reflex sono stati riprogettati per offrire una maggior efficienza. Il cabinet è dotato di maniglie forgiate in alluminio, dal design ergonomico, tutte con inserto in gomma. Su tutti i modelli sono presenti inserti a tazza in acciaio per l'installazione del diffusore satellite.

**I woofer del sistema SUB 8006-AS, SUB 8004-AS hanno le seguenti caratteristiche:**

- circuito magnetico ad alta energia e dal peso contenuto;
- bobina in rame, interno-esterno di 100 mm di diametro e 30 mm di lunghezza;
- sospensioni doppie al silicone;
- cono caricato con fibre di carbonio e trattamento resistente all'acqua;
- doppio sistema di ventilazione per garantire la minima compressione acustica alla massima potenza.

**La sezione ingressi è dotata di:**

- connettori In/Out XLR;
- connettore XLR Crossover Out;
- potenziometro lineare per variare la sensibilità (-2 dBu - +10 dBu);
- selezione dell'equalizzazione (Deep - Punch);
- selezione del filtro passa basso (90 Hz - 120 Hz);
- selettore rotativo per l'assegnazione del ritardo temporale;
- selettore per la selezione della configurazione cardioide;
- 3 LED di stato.

**La sezione di amplificazione del SUB 8006-AS (SUB 8004-AS) è dotata di:**

- 2 amplificatori digitali da 1250 Watt (1 per il SUB 8004-AS);
- connettore di alimentazione Powercon;
- meccanica in alluminio sospesa con Vibrostop.

**COMPONENTI****AMPLIFICATORI****MOBILI****SUB 8006-AS,  
SUB 8004-AS  
HIGH OUTPUT SUBWOOFER**



**1** INGRESSO XLR SEGNALE AUDIO (BAL/UNBAL). Il sistema accetta connettori di ingresso XLR femmina e segnali a livello linea da mixer o da altre sorgenti di segnale.

**2** USCITA XLR SEGNALE AUDIO. L'uscita XLR maschio fornisce una connessione in uscita del segnale audio per connettere più diffusori allo stesso segnale.

**3** USCITA XOVER SEGNALE AUDIO. Il connettore XLR maschio fornisce un'uscita audio passa-alto (24 dB/ottava) per diffusori satelliti.

**4** SENSIBILITÀ IN INGRESSO. Controlla il livello del segnale in ingresso all'amplificatore di potenza. Il controllo varia da  $+\infty$  dBu (massima attenuazione) alla sensibilità  $-2$  dBu - MAX (massimo guadagno in ingresso). La sensibilità nella posizione centrale è  $+4$  dBu (livello nominale richiesto per ottenere la massima potenza dagli amplificatori).

**5** DEEP - PUNCH. Questo pulsante commuta da equalizzazione DEEP (risposta lineare fino a 30 Hz) a equalizzazione PUNCH (boost a 70 Hz).

**6** XOVER 90/120 HZ. Questo pulsante fornisce una frequenza di crossover ad 60 Hz se rilasciato, a 90 Hz se premuto. La stessa frequenza di crossover è disponibile per il satellite all'uscita di segnale audio XOVER OUTPUT XLR.

**7** ENCODER RITARDO TEMPORALE. Permette l'impostazione del ritardo temporale in metri.

**8** POWER INDICATOR. Indicazione di alimentazione presente. Quando il diffusore è connesso alla rete e l'interruttore in posizione ON il led si accende con colore VERDE.

**9** SIGNAL INDICATOR. Il led di segnale si accende con colore VERDE se è presente segnale audio all'ingresso XLR.

**10** LIMIT INDICATOR. L'amplificatore è dotato di un circuito di compressore/limiter in modo da prevenire il clipping dell'amplificatore o di sovrappilare gli altoparlanti. Quando il circuito di compressione è attivo il LED lampeggia con colore GIALLO. Quando il circuito di soft clipping è attivo il LED lampeggia con colore ARANCIONE. È accettabile che il LED lampeggi occasionalmente. Se il LED lampeggia frequentemente o si accende di continuo ridurre il segnale in ingresso. L'amplificatore è dotato di un circuito di limiter RMS. Il limiter RMS serve a proteggere i trasduttori. Se il circuito di protezione RMS è attivo il LED si accende con colore ROSSO. Il diffusore non deve mai essere utilizzato con il LED ROSSO acceso in modo continuo, operare a lungo con il led rosso acceso può causare danni al diffusore.

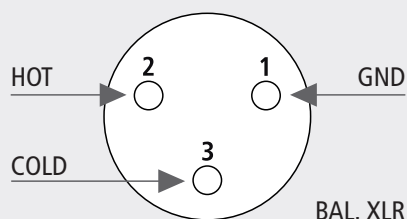
- 11** PHASE SWITCH. Questo pulsante inverte la fase del segnale in uscita dal sistema.
- 12** PULSANTE CARDIODE SET-UP. Questo pulsante, una volta premuto, attiva una equalizzazione ed un ritardo temporale del modulo atti a creare un sistema cardioide utilizzando gruppi di 3 subwoofers.
- 13** INTERRUTTORE DI ALIMENTAZIONE. L'interruttore apre e chiude l'alimentazione in corrente AC. Assicurarsi che la sensibilità sia  $+\infty$  quando si accende il diffusore.
- 14** PRESA AC POWERCON. La serie RCF TT+ utilizza connettori AC POWERCON. Utilizzare sempre i cavi rete forniti a corredo.

Il connettore di ingresso XLR segue il seguente standard AES:

PIN 1 = TERRA (GROUND; SHIELD)

PIN 2 = LATO CALDO (HOT; +)

PIN 3 = LATO FREDDO (COLD; -)



A questo punto potete inserire il connettore di alimentazione e il connettore di segnale, ma prima di accendere il diffusore assicuratevi che il controllo di volume sia al minimo sia sul diffusore che sulla sorgente sonora collegata al diffusore (che generalmente sarà un mixer); è importante anche che il mixer sia già acceso al momento in cui viene acceso il diffusore a lui collegato. Queste due precauzioni vi eviteranno innanzitutto di accendere i diffusori in presenza di forti segnali in ingresso (evitando di causare danni al diffusore stesso ma soprattutto alle persone che vi si possono trovare davanti) e inoltre di far arrivare agli altoparlanti e al pubblico i fastidiosi "bump" causati dall'accensione delle apparecchiature audio a monte dei diffusori. Infatti è buona regola che i diffusori amplificati e gli amplificatori in genere siano sempre le ultime apparecchiature ad essere accese dopo il montaggio e le prime ad essere spente alla fine dello spettacolo.

A questo punto potete accendere il diffusore e alzare il controllo di livello a seconda delle necessità.

Il ritardo è espresso in metri.

Per impostare il ritardo ruotare sino a raggiungere il ritardo desiderato.

In caso di utilizzo di più subwoofer assicurarsi che il ritardo impostato per ciascun gruppo di subwoofers sia esattamente lo stesso.

È possibile creare sistemi cardioide utilizzando gruppi di subwoofers.

Un gruppo è costituito di tre moduli disposti come segue:

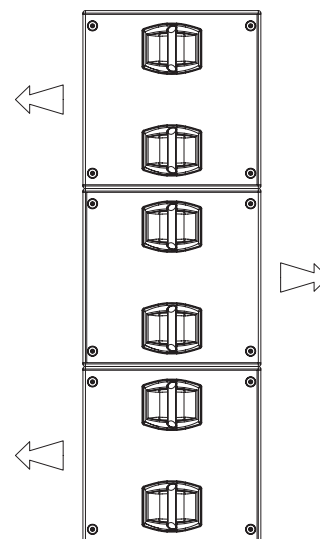
- 2 moduli rivolti nella direzione di propagazione, pulsante cardioid rilasciato;
- 1 modulo rivolto nella direzione opposta alla propagazione, pulsante cardioid inserito;
- tutti i 3 moduli devono avere le medesime impostazioni generali (ritardo, sensibilità, xover, ...).

## CONNESSIONI

### PRIMA DI CONNETTERE IL DIFFUSORE

### IMPOSTAZIONE DEL RITARDO TEMPORALE (TIME DELAY)

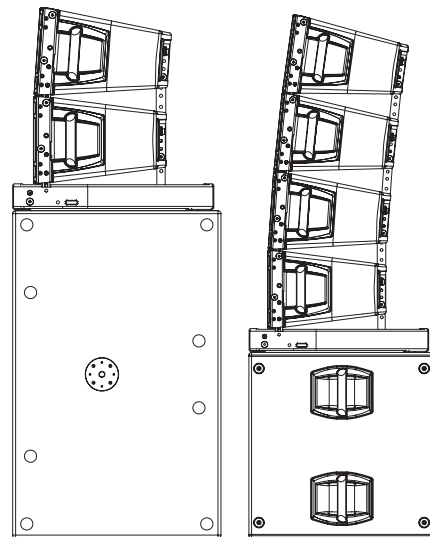
### IMPOSTAZIONE DELLA FUNZIONE CARDIOIDE (CARDIOD)



È possibile utilizzare i SUB 8006-AS, SUB 8004-AS come base per l'installazione "stacking" di moduli HDL 20-A o HDL 10-A sia in verticale che in orizzontale.

Utilizzare sempre unitamente sia il fly-bar HDL-20-A (HDL 10-A) che l'apposito accessorio per il bloccaggio del fly-bar al subwoofer (codice 13360231).

## STACKING



## INSTALLAZIONE



**ATTENZIONE:** Non sospendere mai il diffusore per mezzo delle maniglie. Le maniglie sono state progettate per il trasporto del diffusore, non per la sua sospensione.

**ATTENZIONE:** Assicurarsi sempre che la richiesta massima di corrente non superi la corrente massima ammessa dai connettori POWERCON. In caso di dubbio contattare il CENTRO ASSISTENZA RCF più vicino.

### FUSIBILI INTERNI SUB 8006-AS, SUB 8004-AS

**220-240V** 2XFUSE T 6.3 A H 250 V (1X SUB 8004-AS)

**100-120V** 2XFUSE T 10 A H 250 V (1X SUB 8004-AS)

**ATTENZIONE**



**ATTENZIONE**



**FUSIBILI INTERNI  
SUB 8006-AS,  
SUB 8004-AS**



I seguenti accessori sono disponibili separatamente:

**13360029 AC WK SW**  
KIT RUOTE PIVOTTANTI



**13360029 AC WK FX**  
KIT RUOTE FISSE



**13360231 AC CONNECTION SUB 8006-AS**  
ACCESSORIO PER IL BLOCCO DEL FLY-BAR



**13360138 AC POWER CABLE 6XTTL55**  
CAVO ALIMENTAZIONE  
Un cavo alimenta 6 subwoofers SUB 8006-AS



**13360145 AC POWER BOX 6XTTL55**  
EUROPEAN STAGE BOX per alimentare 6 SUB 8006-AS connessi ad una presa  
32 ampere trifase. Completamente compatibile con Socapex SL 419 Series



**13360146 AC POWER EXTENSION TTL55**  
CAVO PROLUNGA  
Cavo prolunga da 20 metri - Completamente compatibile con Socapex SL 419 Series



# SPECIFICATIONS



	<b>SUB 8006-AS</b>	<b>SUB 8004-AS</b>
<b>ACOUSTIC DATA</b>		
<b>Operating frequency range</b>	30 - 120 Hz	30 - 120 Hz
<b>Max SPL</b>	141 dB	136 dB
<b>Crossover point</b>	90 Hz / 120 Hz	90 Hz / 120 Hz
<b>TRANSDUCERS</b>		
<b>Low frequency</b>	2 x 18" woofer, 4.0" voice coil	18" woofer, 4.0" voice coil
<b>AMPLIFIERS</b>		
	2 x 1250 Watt	1250 Watt
<b>CONNECTIONS</b>		
<b>Signal input/output</b>	XLR male/female	
<b>Power input/output</b>	Powercon male	
<b>CONTROLS</b>		
<b>DSP Controls</b>	Sensitivity Control (-2 dBu ~ +∞ dBu) Deep, Punch, X-over selection Delay set-up Cardioid setting Phase switch	
<b>DSP PROCESSING</b>		
	High pass, low pass, equalisation Crossover output processing Fast limiter, dynamic compressor RMS limiter	
<b>PHISICAL SPECIFICATIONS</b>		
<b>Dimensions (w, h, d)</b>	709 x 1109 x 700 mm	700 x 557.5 x 700 mm
<b>Net weight</b>	90 Kg	51 Kg
<b>Cabinet material</b>	Baltic birch plywood	Baltic birch plywood
<b>Hardware</b>	4 x die cast handles	2 x die cast handles





[www.rcf.it](http://www.rcf.it)

**HEADQUARTERS:**

**RCF S.p.A. Italy**  
tel. +39 0522 274 411  
e-mail: [info@rcf.it](mailto:info@rcf.it)

**RCF UK**  
e-mail: [info@rcfaudio.co.uk](mailto:info@rcfaudio.co.uk)

**RCF France**  
e-mail: [france@rcf.it](mailto:france@rcf.it)

**RCF Germany**  
e-mail: [germany@rcf.it](mailto:germany@rcf.it)

**RCF Spain**  
e-mail: [info@rcfaudio.es](mailto:info@rcfaudio.es)

**RCF Belgium**  
e-mail: [belgium@rcf.it](mailto:belgium@rcf.it)

**RCF USA Inc.**  
e-mail: [info@rcf-usa.com](mailto:info@rcf-usa.com)