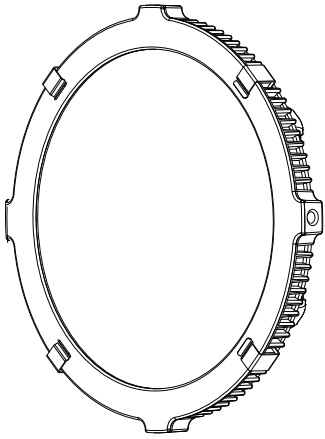




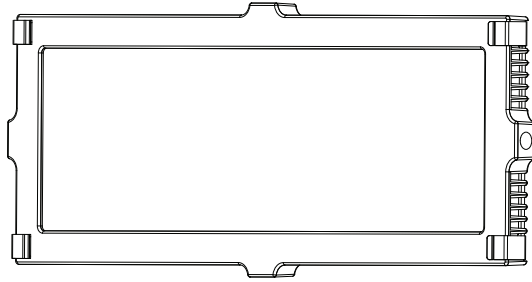
*Piatto*  
LIGHTS

***QUICKSTART GUIDE***

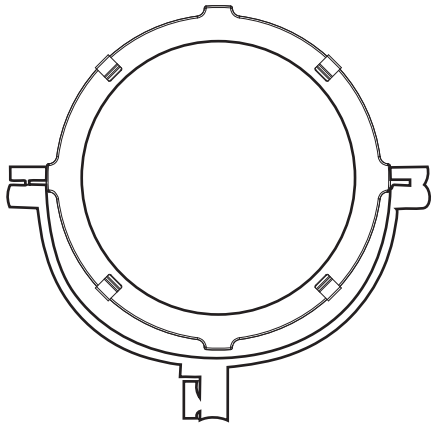
# What's Included



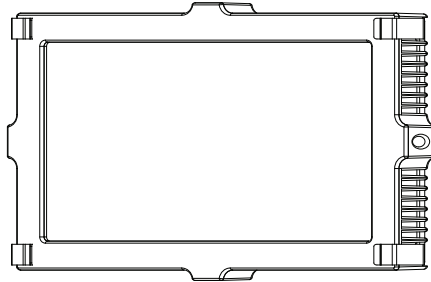
PL60 Light



PL103 Light



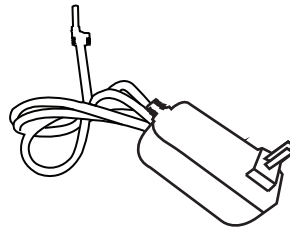
PL90 Light



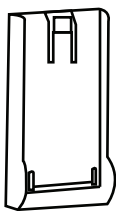
PL74 Light



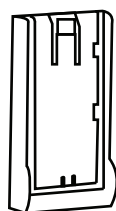
LM102  
(Not Included in PL90)



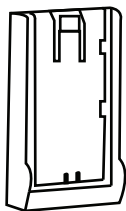
Power Supply  
(Included in PL60, PL103 and PL74 Light only)



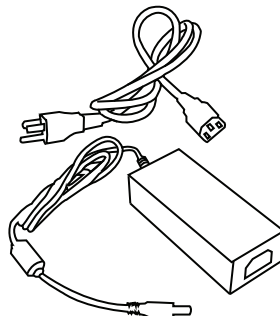
BP2-S



BP2-P

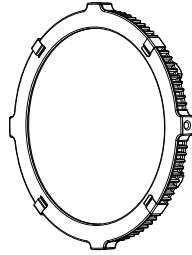


BP2-C



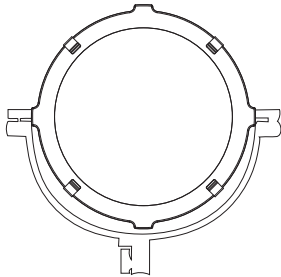
Power Supply  
(Included in PL90 Light only)

<b>Checked by</b>



**01-02**

Piatto   
**PL60**



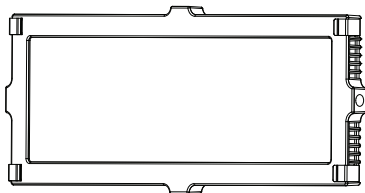
**03-04**

Piatto   
**PL90**



**05-06**

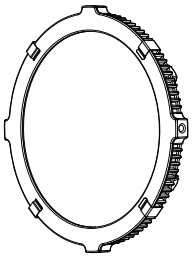
Piatto   
**PL74**



**07-08**

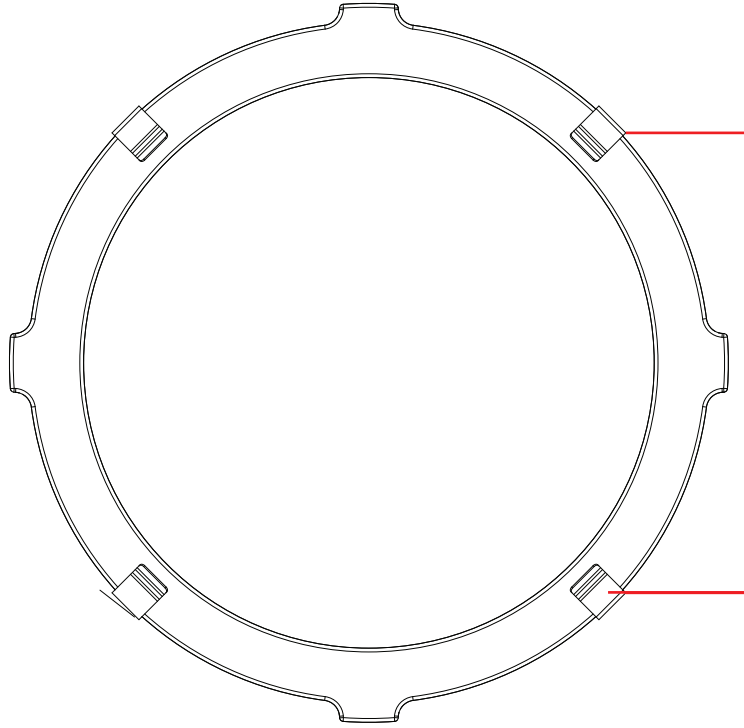
Piatto   
**PL103**

# Counters

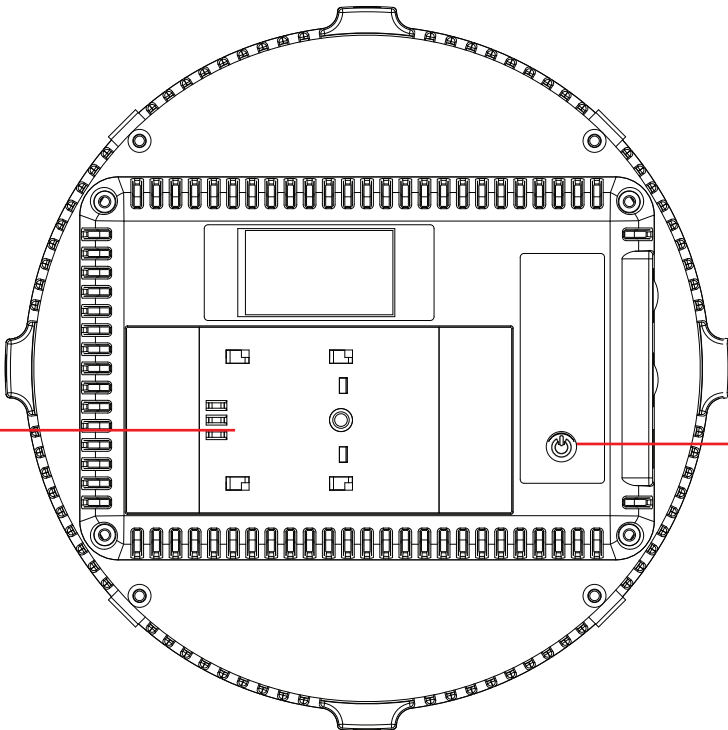


**01**  
Piatto  
**PL60**

Front & Back View

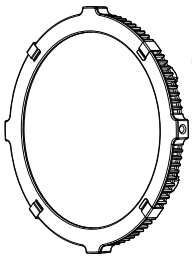


Gel Clips



Battery Plate Attachment

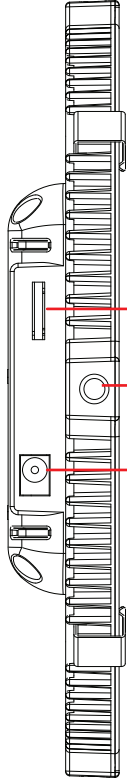
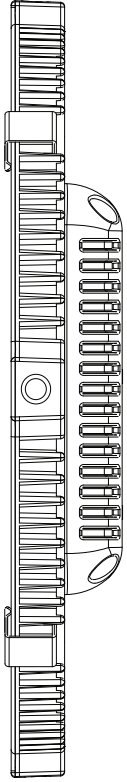
ON/OFF SWITCH



# 02

Piatto  
**PL60**

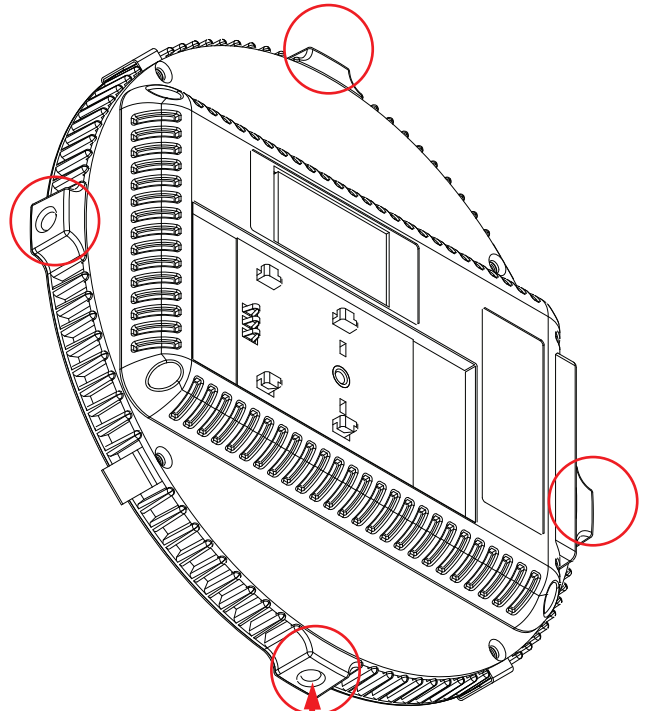
Side View



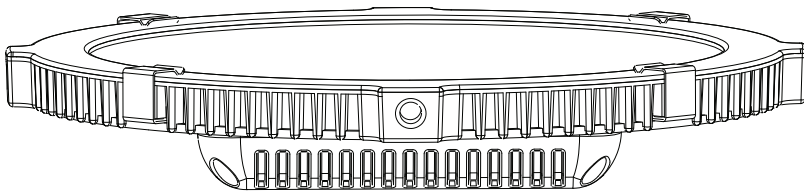
Brightness

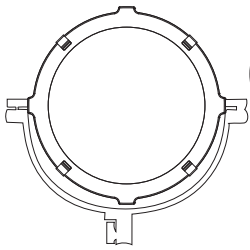
Mounting Points

Power Connection



### Inserting LM102 to Mounting Points

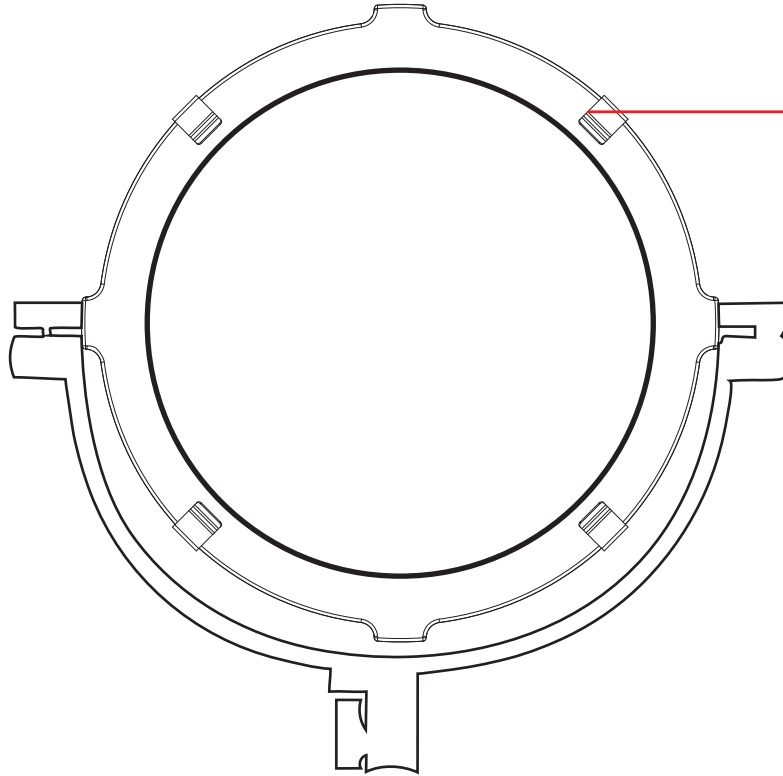




# 03

Piatto  
**PL90**

## Front & Back View



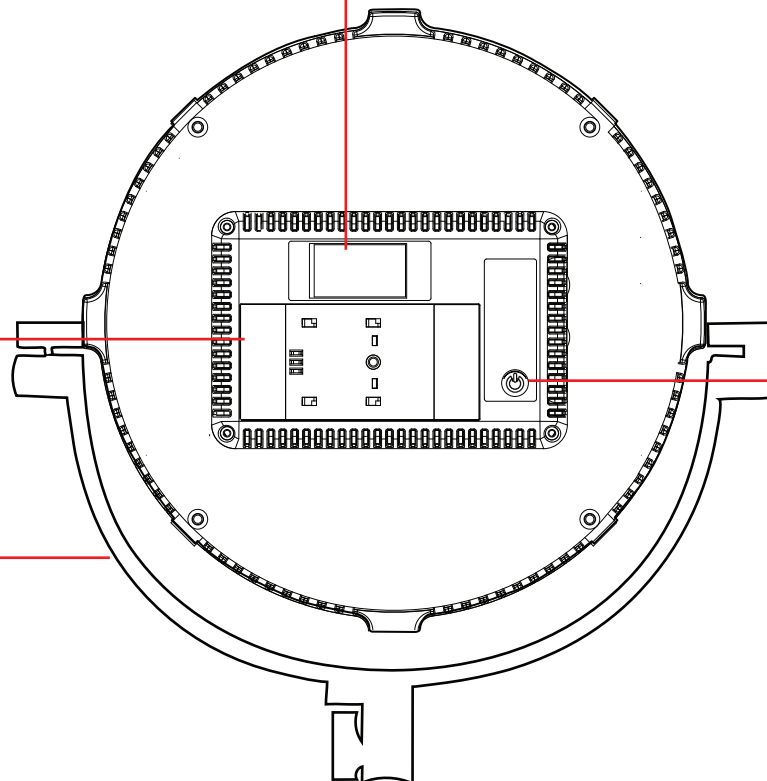
Gel Clips

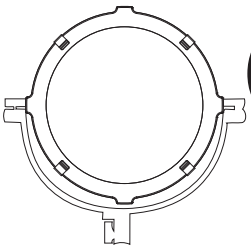
Digital Readout

Battery Plate Attachment

ON/OFF SWITCH

Yoke Mount

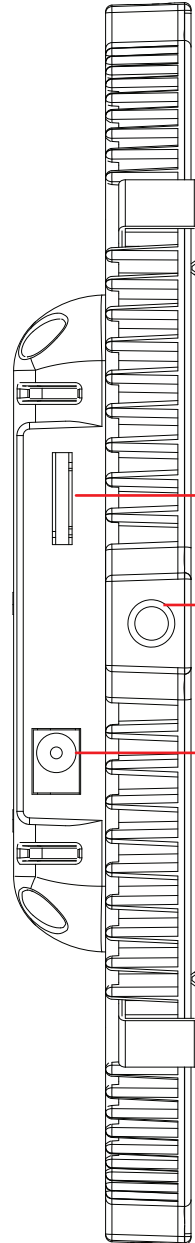
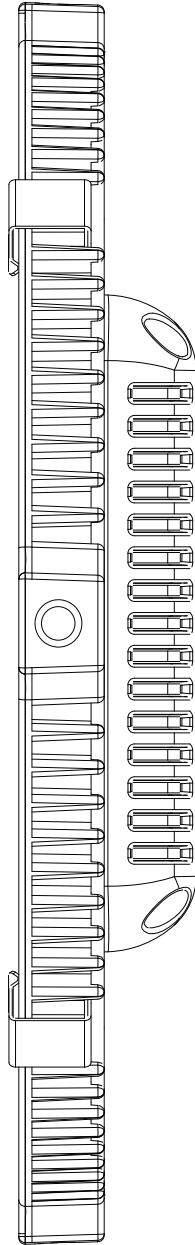




# 04

Piatto  
**PL90**

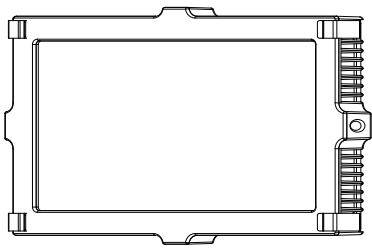
Side View



Brightness

Mounting  
Points

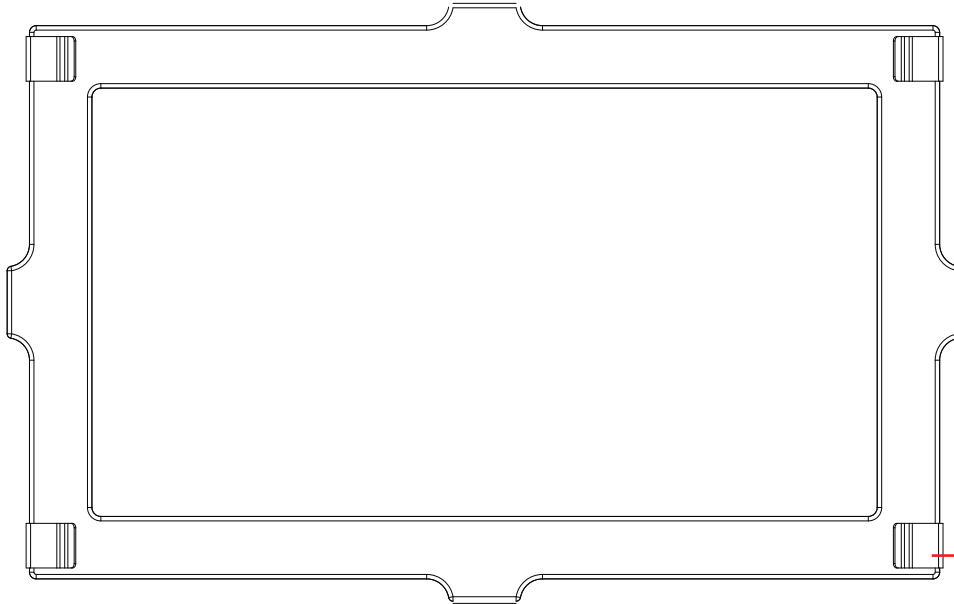
Power  
Connection



# 05

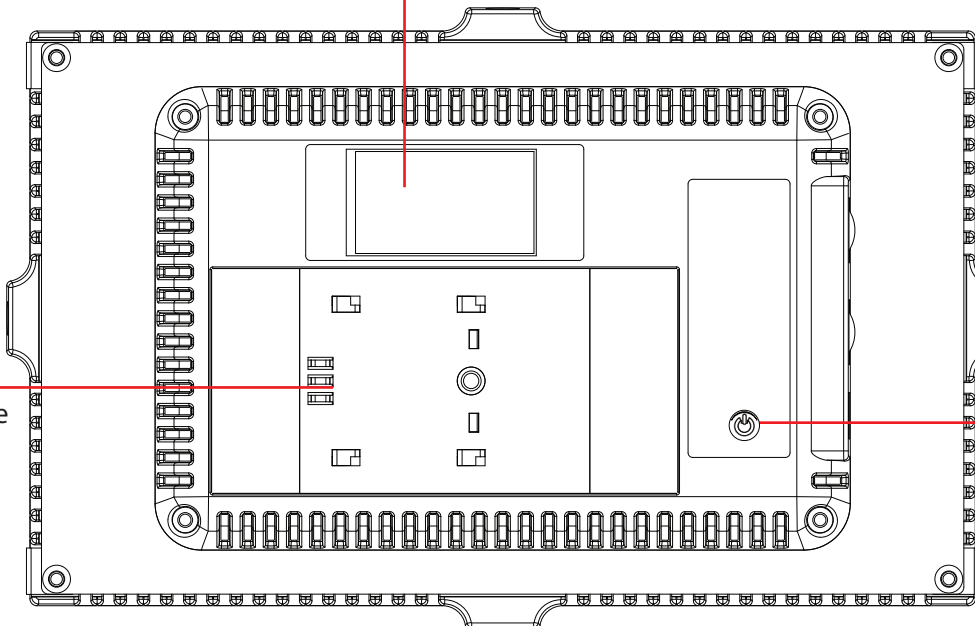
Piatto  
**PL74**

## Front & Back View



Gel Clips

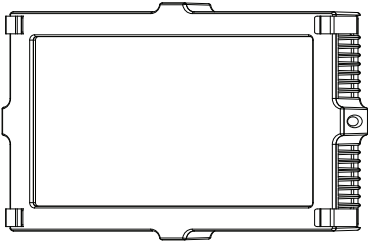
Digital Readout



Battery Plate Attachment

ON/OFF SWITCH





# 06

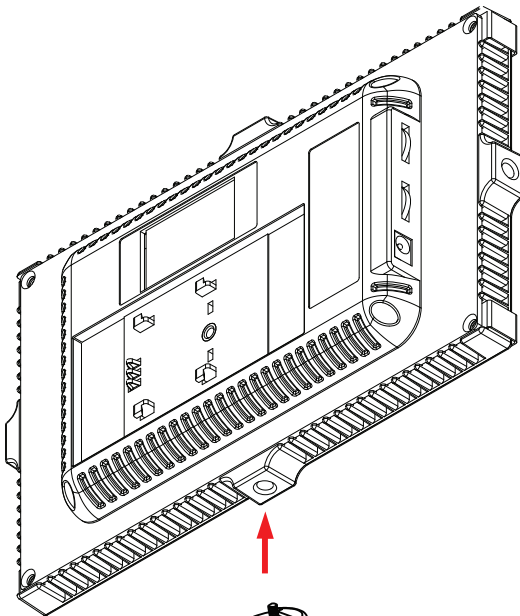
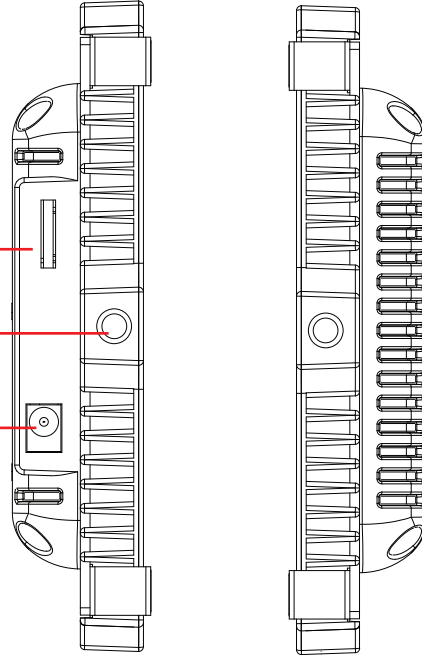
Piatto  
**PL74**

Side View

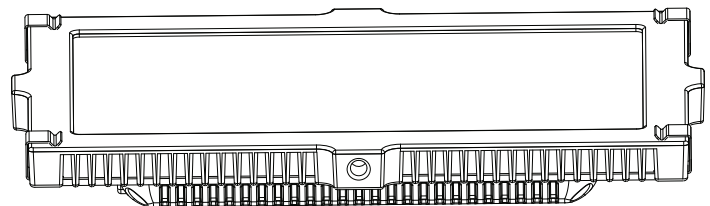
Brightness

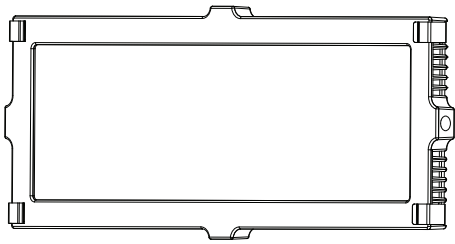
Mounting  
Points

Power  
Connection



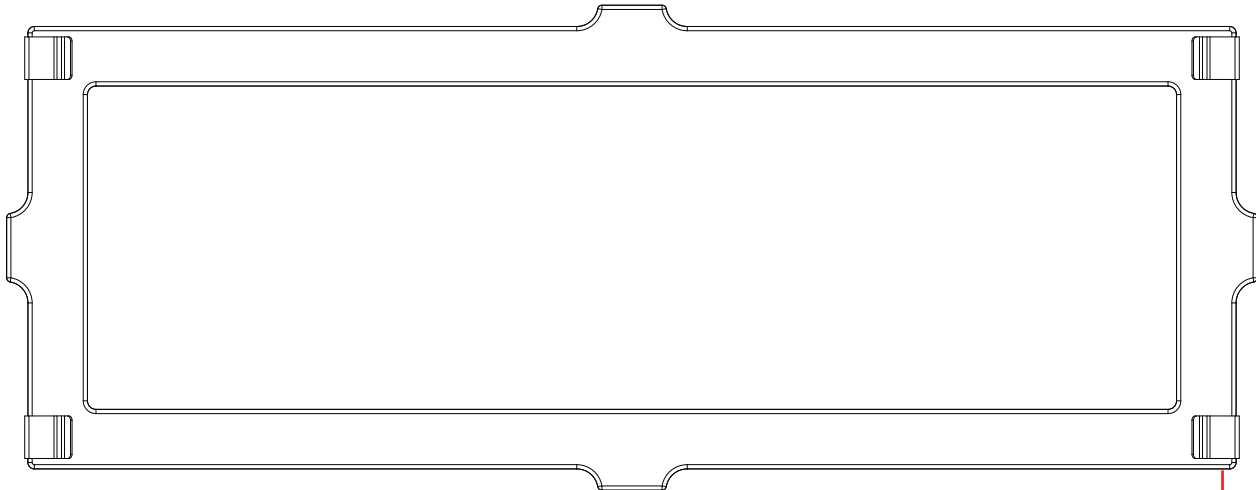
Inserting LM102 to Mounting Points





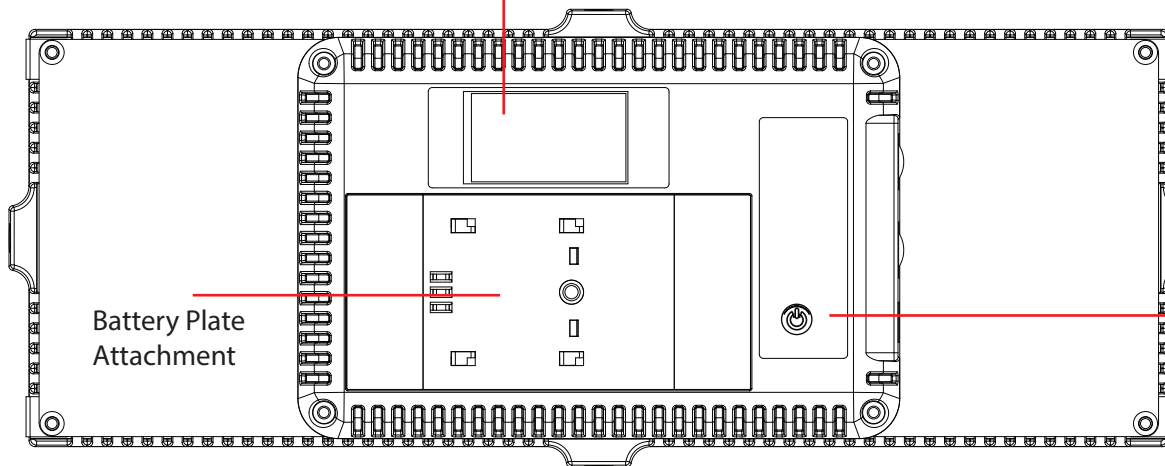
**07**  
Piatto   
**PL103**

*Front & Back View*



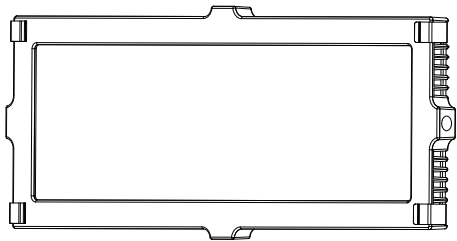
Digital Readout

Gel Clips



Battery Plate  
Attachment

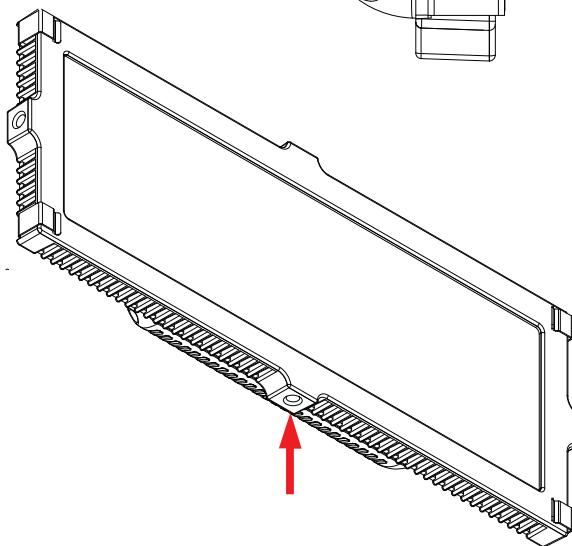
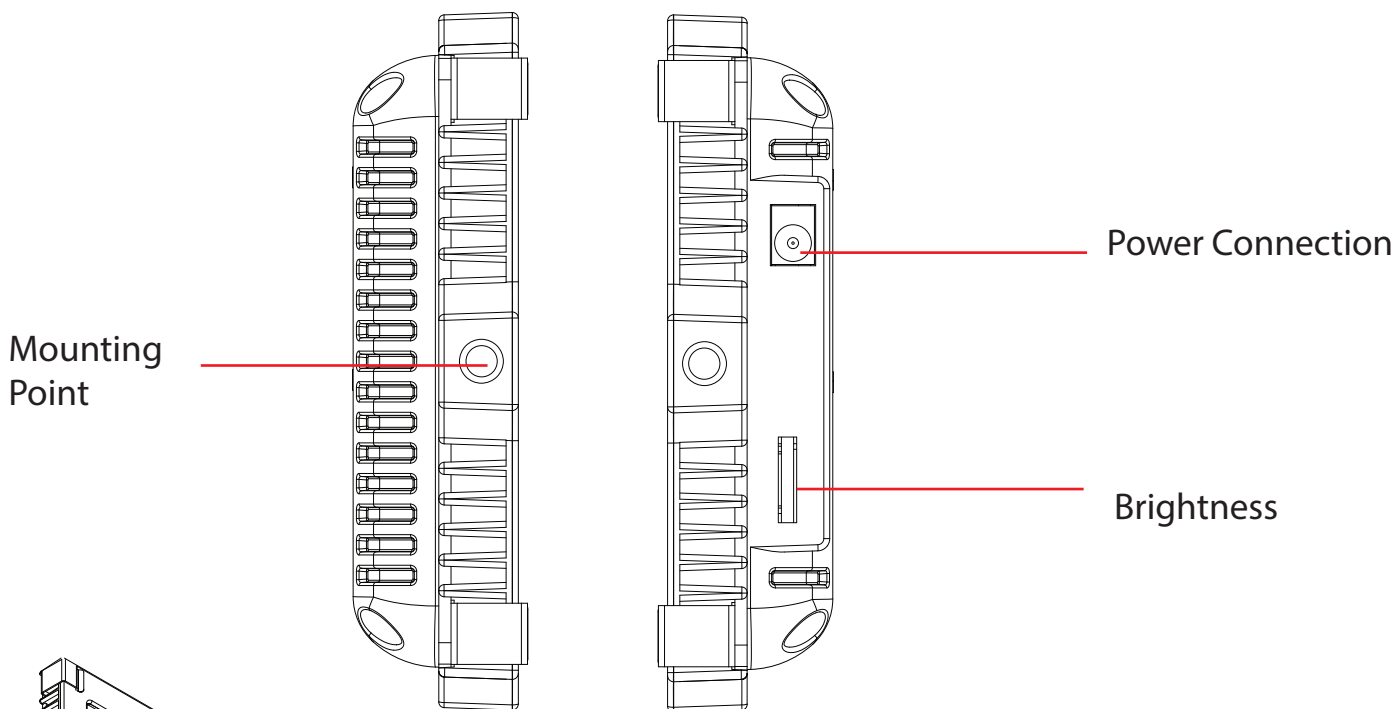
ON/OFF  
SWITCH



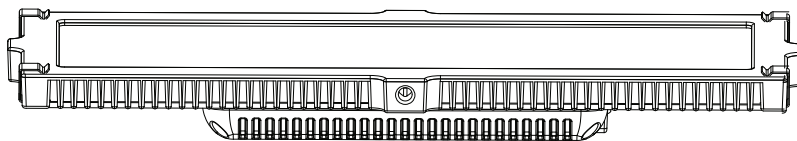
# 08

Piatto   
**PL103**

Side View



Insert LM102 to preferred Mounting Points





#### **CONDITIONS OF WARRANTY SERVICE**

- Free service for one year from the day of purchase if the problem is caused by manufacturing errors.
- The components and maintenance service fee will be charged if the warranty period has expired.

Free Service will not be Provided in the Following Situations: (\* Even if the product is still within the warranty period.)

- Damage caused by abuse or misuse, dismantling, or changes to the product not made by the company.
- Damage caused by natural disaster, abnormal voltage, and environmental factors etc.