

Gantom 7: SEVEN COLOR DMX SPOTLIGHT



The Gantom 7 packs seven-color output into a tiny package. With a native 15 degree beam angle, this LED spotlight produces a punchy yet soft beam with homogeneous color mixing even at a close distance. Included micro-lenses and the magnetic accessory holder offer easy beam control solutions; diffusing the spotlight to a floodlight is literally a snap.

Native DMX control and a balanced, non-linear dimming curve satisfies the most demanding theming tasks. This compact spotlight features lime, amber, and ultraviolet beyond the common RGBW to achieve colors unavailable in standard LED fixtures. With the Gantom 7, lighting designers obtain a virtually unlimited color palette in a compact and efficient 7-Watt LED fixture.

FEATURES

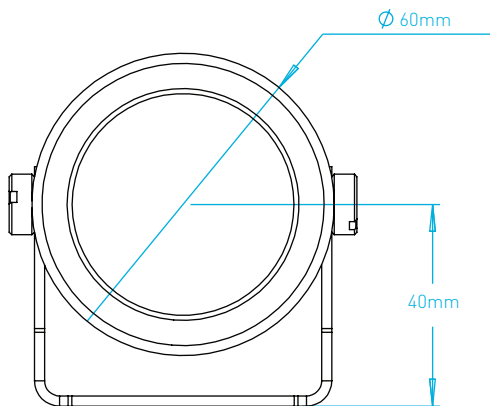
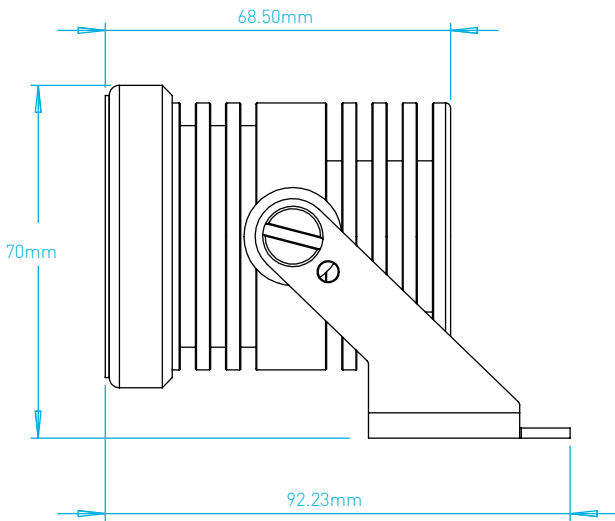
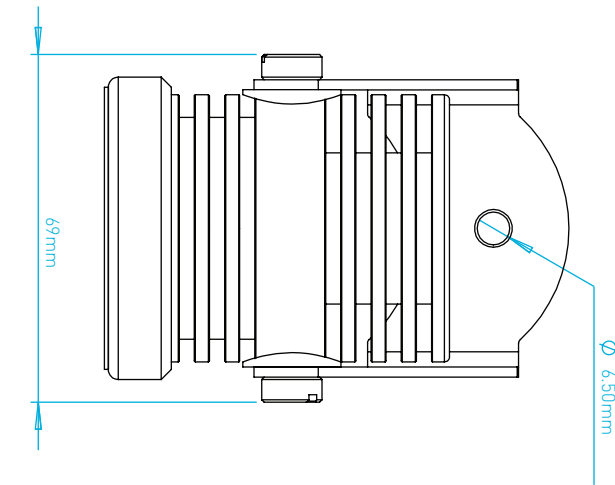
- ✓ Full spectrum output with 7 LED colors. Multiple color profiles selectable (RGB, RGBA, RGBW, RGBAWUv, RGBAWLUv).
- ✓ Color control via DMX512 or DMX Programmer app.
- ✓ Precision-tuned non-linear dimming curve and color balance algorithm.
- ✓ Standalone mode allows set and forget operation without DMX signal (requires DMX Programmer app).
- ✓ DMX address and configuration stored in memory.
- ✓ Low voltage and minimal heat for improved safety over incandescent sources.
- ✓ Internal constant current driver gives highly efficient and consistent output.
- ✓ Minimal maintenance required with over 50,000 hour lamp life.
- ✓ Indoor and outdoor use.

SPECIFICATIONS

Max Power Input	7.5W
Max Current Input	620mA
Nominal Voltage Input	12V
Operating Temperature	-20C - 85C
Beam Angle (50% Max)	15°
Field Angle (10% Max)	35°
IP Rating	IP65
Housing Material	Anodized Aluminum
Colors and Wavelength	Red (635nm) Green (515nm) Blue (450nm) Amber (598nm) White (6500K) Lime (4250K) Ultraviolet (395nm)

PART NUMBER

Gantom 7 - Go Cable	GT77
Gantom 7 - Pro Cable	GP277



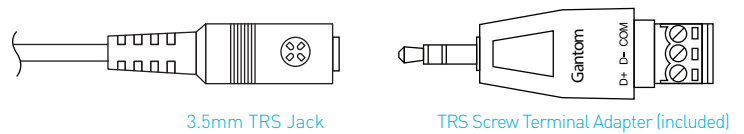
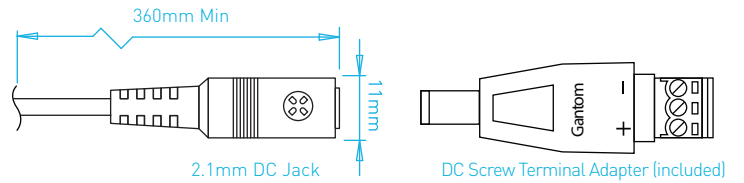
FULL POWER OUTPUT

Distance	Center Brightness	Beam Width
1.0m (3.3ft)	650 Lux (60.4fc)	0.3m (0.9ft)
2.0m (6.6ft)	220 Lux (20.4fc)	0.6m (1.8ft)
3.0m (9.8ft)	100 Lux (9.3fc)	0.8m (2.7ft)

CABLE OPTIONS

Go Cable - Power and data are on separate connectors: power provided using 2.1mm DC jack and signal provided using 3.5mm TRS jack. Compatible with Go Cable system.

Recommended for temporary and reconfigurable use.



Pro Cable - Power and data integrated in a single cable with 5-pin sealed locking connector. For use with our G8 Distribution Box and Pro Cable system. **Recommended for permanent installations.**

