

DUKANE

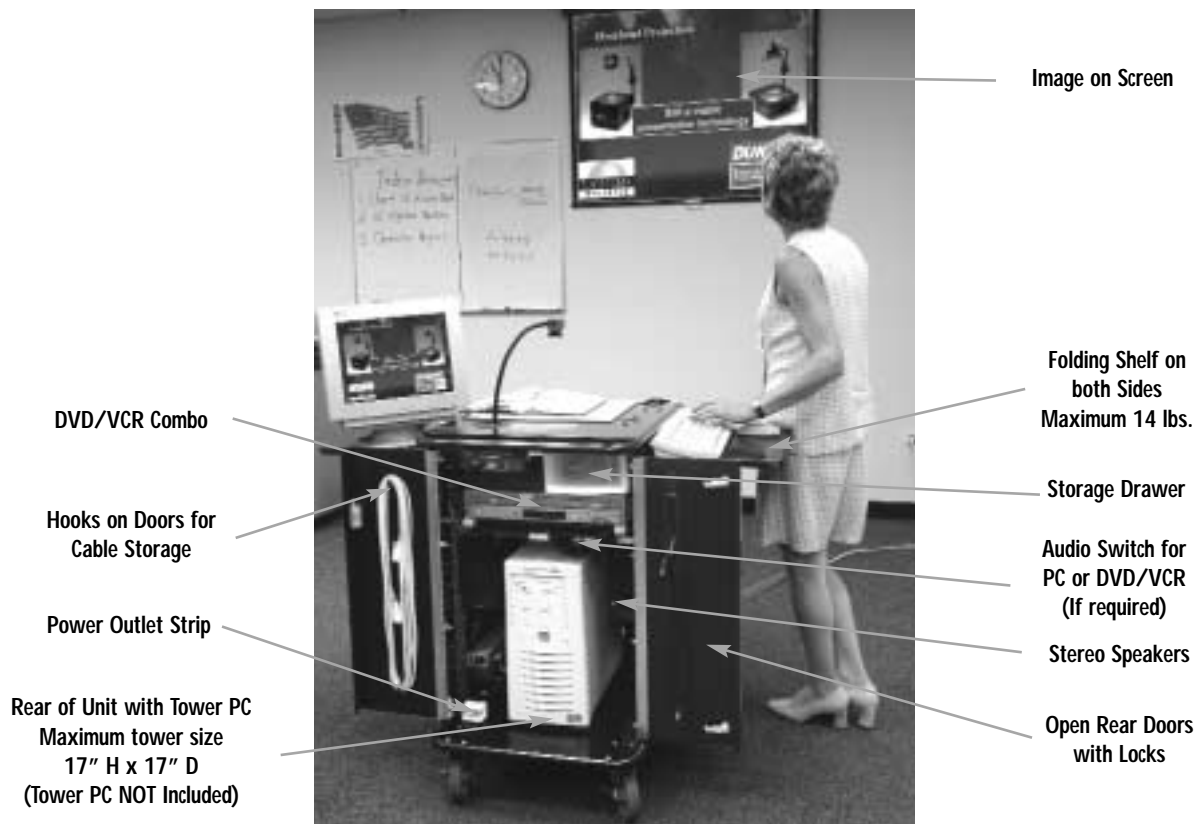
Mobile Presentation System User's Manual for Camera, 101, 202, & 220



- 1) Remove cart from carton.
- 2) Roll the media center into position and lock the two wheels.
- 3) Unlock the right rear door with the keys provided and swing open door.
- 4) Reach behind the left rear door and unlatch the catch by pulling up on the lever, as indicated on the instruction label on the door.
- 5) The side folding shelves can be raised and the supports moved into position for placement of laptop computer etc. (Maximum 14 lbs.)
- 6) Unlock the projector-tilting shelf, loosen knobs on the side of cart and swing down into position, tighten knobs.
- 7) Remove power cord with trip protector from the inside of the cart. Bring out under the projector shelf and plug into a 3 prong grounded power outlet.
- 8) If camera is not already installed it will be in a carton with power and output cable attached.

- Remove Camera from its carton and insert camera head up through the grommet hole in the top of the cart. Place camera base on the plate or foam block on top of the DVD/VCR. The camera can be removed for viewing at other locations within the range of its cables. (Camera 202 must be placed on the top of the cart)
- 9) Connect your computer to the VGA cable and audio cable with mini plug that is coming out of the top of the cart.
 - 10) Power up the Mobile Presentation System by turning on the switch that is located on the power strip. Then turn on the DVD/VCR, Camera and the projector.
 - 11) Refer to the owners manuals for the detailed projector, DVD/VCR, and Camera operation.
 - 12) The remote controls for the projector, DVD/VCR, and camera if included, are located in the storage drawer.

continued on back page . . .



... continued from front page

13) Camera 101

The projector remote control will switch the projected image between the "computer", "video", and "s-video". These correspond to the "computer", "DVD/VCR", and the "Camera 101" images, see Figure 1.

Camera 202, 220

The projector remote control will switch the projected image between the "computer", "camera", "video" and "s-video" inputs. For advanced model projectors the "computer" and "camera" images will appear for the RGB1 (PC1) or RGB2 (PC2) selections, see Figure 2. If only one computer signal input is present on the projector, the camera will be used to switch between the "computer" and the "camera" image. To accomplish this operation, the

camera remote control "Source" button will switch between the "PC" and the "camera" outputs, see Figure 3.

14) Audio Switching

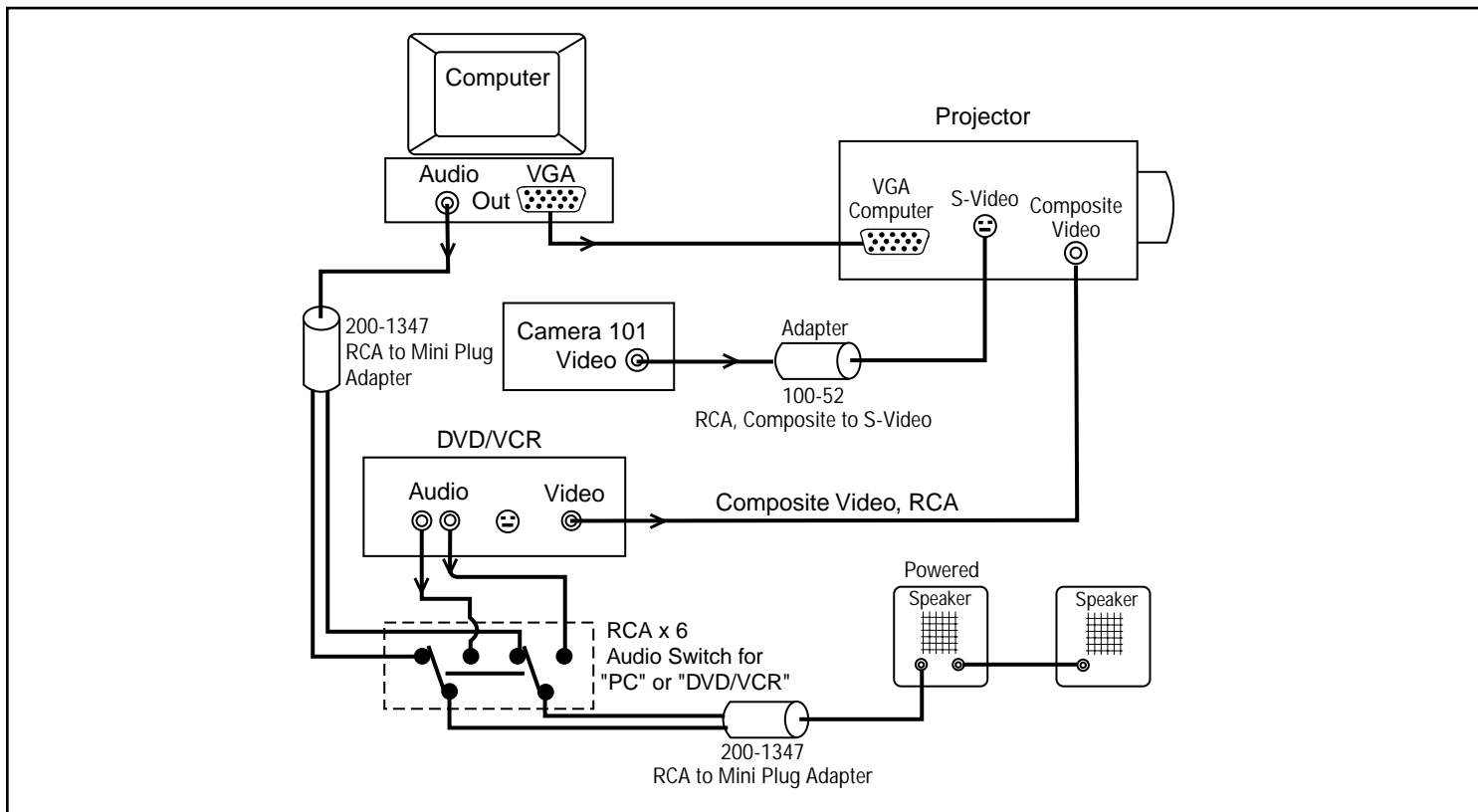
Most projectors have an internal switch for the audio that follows the "PC" or "DVD/VCR" input selection. Such a switch provides the "Audio Out" from the projector. If an internal switch is not available a mechanical button selector switch is located just inside the cart, see Figure 1.

15) Volume

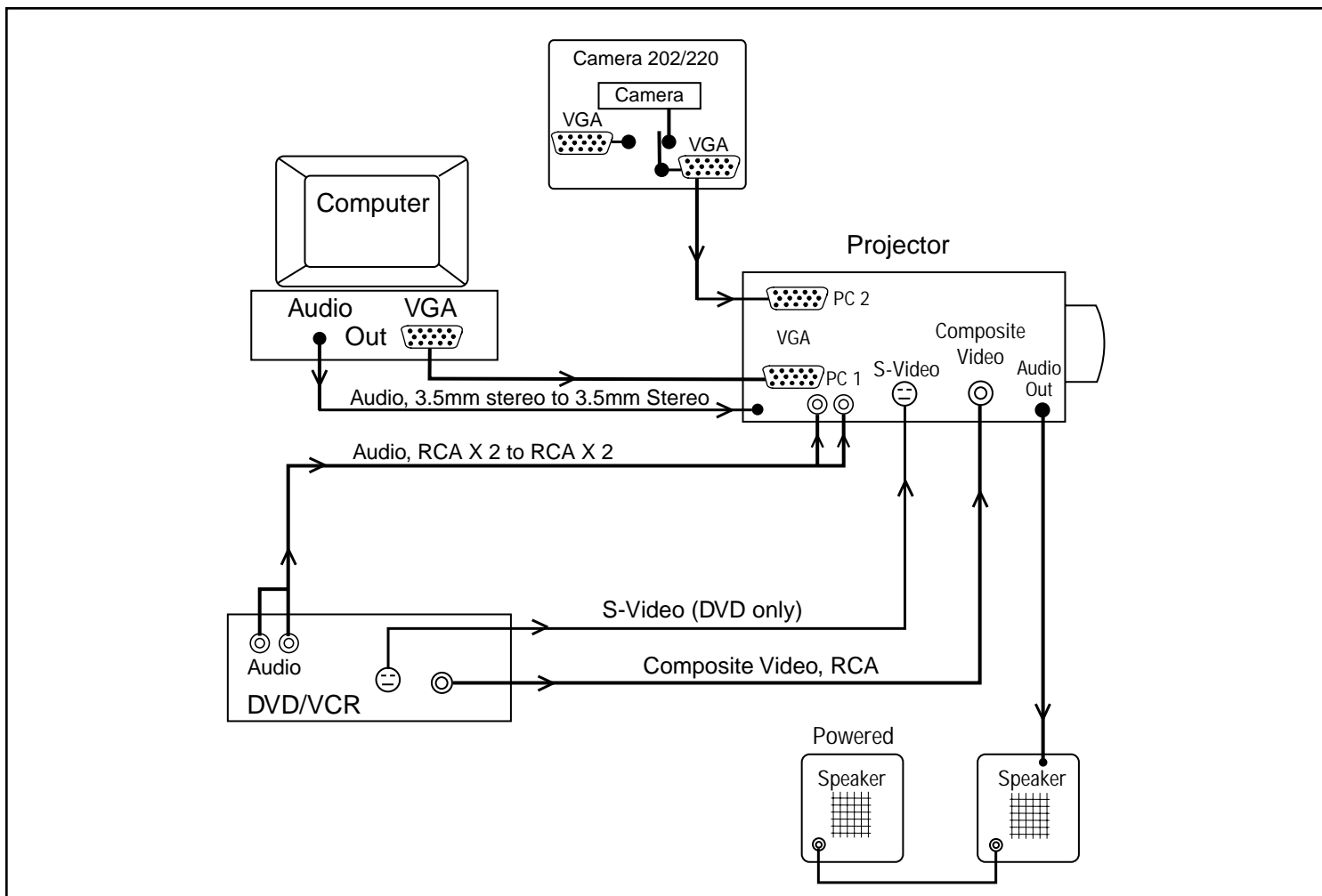
The volume can be adjusted with the projectors on screen control or by the speaker unit knobs.

16) The projected image can be keystone corrected by using the projector controls.

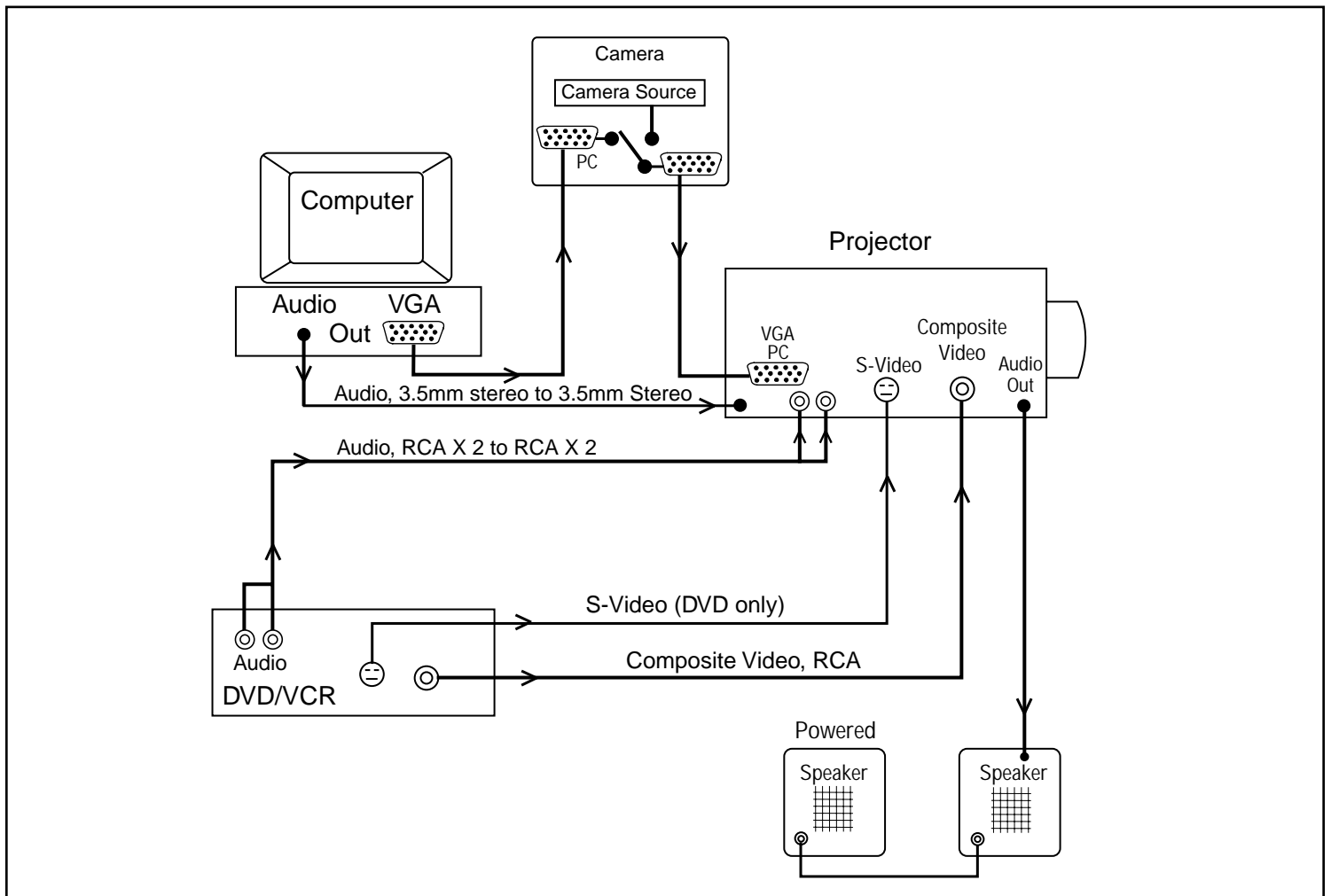
Mobile Presentation System Diagram. Figure 1



Mobile Presentation System Diagram. Figure 2



Mobile Presentation System Diagram. Figure 3



Audio Visual Products
 2900 Dukane Drive
 St. Charles, Illinois 60174
 www.dukcorp.com/av

Toll-free: 800-676-2485
 Fax: 630-584-5156
 E-mail: avsales@dukcorp.com

Audio Visual Products
DUKANE

401-MPS10/MPS20-01