





Sound Isolating™ Earphones

Shure Sound Isolating™ Earphones, built with balanced armature speakers, deliver a detailed soundstage free from outside noise. The powerful and stylish Shure SE earphones come with a detachable cable, adapters, a

durable carrying case, and interchangeable Sound Isolating sleeves for a comfortable and personalized fit.

Choosing a Sleeve

Select an earphone sleeve that provides the best fit and sound isolation. It should be easy to insert, fit comfortably, and easy to remove.

	Soft Flex Sleeves: In small, medium, and large sizes. Made from pliable rubber.
 	Soft Foam Sleeves: Compress the foam sleeve between your fingers and insert into the ear canal. Hold in place for about ten seconds while the foam expands.
	Triple-Flange Sleeves: If desired, use scissors to trim the stem on the sleeve.

Wearing the Earphones

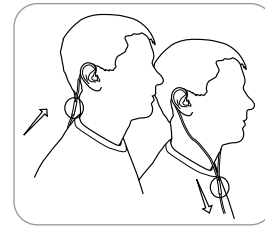
Wear them like earplugs. A good acoustic seal provides maximum bass.

1. Select a sleeve.
2. Twist and pull to remove. Push new sleeve on fully. Compress foam sleeve slightly.
3. Insert firmly into ear. Wear cable over and behind ear. Tighten the cable and take up slack by raising the cable cinch.

Important: If there seems to be a lack of low frequency response (bass), this means that the earphone sleeve is not forming a tight seal. Gently push the earphone deeper into the ear canal or try a different sleeve.

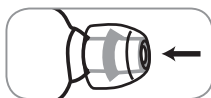
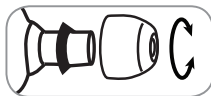
Warning: Do not push the earphone sleeve beyond the ear canal opening.

Wearing the cable over the ear and securing it behind the head can help keep the earphones in place during physical activity.



Changing Sleeves

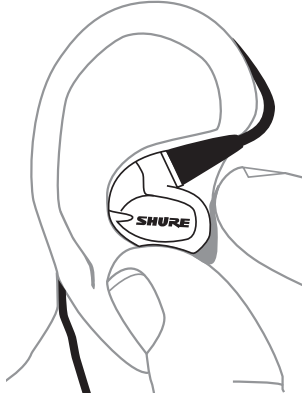
- Twist and pull to remove the sleeve from the nozzle.
- Slide on a new sleeve so that it completely covers the barb and the nozzle.



Caution: If the barb or any of the nozzle is exposed, the sleeve is not properly installed. Replace sleeves if they do not tightly grip the nozzle. To ensure proper fit and performance, use only sleeves supplied by Shure (unless using custom molded sleeves).

Removing the Earphones

Grasp the body of earphone and gently twist to remove.

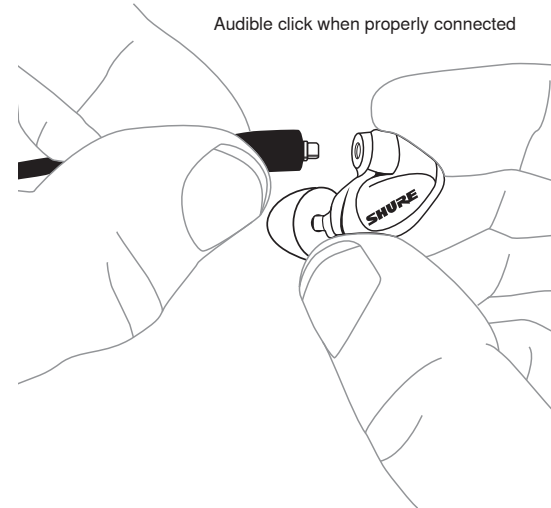


Note: Do not pull on cable to remove earphone.

Detachable Cable

You may need to detach the cable from the earphones to attach optional components or to replace the cable if it becomes damaged. To prevent accidental separation, the connector has a snug fit. Take special care to prevent damage to the earphone and connector.

- Do not use pliers or other tools.
- Grasp the connector and the earphone as close as possible to where they join.
- Pull straight apart—do not twist. Cable is a snap fit, not threaded.
Note: If you pull at an angle, the connector will not detach.
- Do not pull on the cable or put any pressure on the earphone nozzle.
- Listen for a click when connecting.
- When reattaching the cable, match the "L" and "R" markings. For clear cables and earphones, match the color dots (Red=Right, Blue=Left).



Maintenance and Cleaning

Careful maintenance ensures a tight seal between the sleeve and nozzle, improving sound quality and product safety.

- Keep the earphones and sleeves as clean and dry as possible.
- To clean sleeves, remove them from earphones, gently rinse in warm water and air dry. Foam sleeves require a longer drying time. Inspect for damage and replace if necessary. Ear sleeves must be completely dry before reusing.
- Wipe the earphones and sleeves with mild antiseptic to avoid infections. Do not use alcohol-based disinfectants.
- Do not expose earphones to extreme temperatures.
- Replace sleeves if they do not fit properly.
- Do not attempt to modify this product. Doing so will void the warranty and could result in personal injury and/or product failure.

Cleaning the Nozzle

If you notice a change in sound quality, remove the sleeve and check the nozzle of your earphone. If nozzle is blocked, clear obstructions.

If no obstruction is found or if sound quality does not improve, replace the sleeve with a new sleeve or disassemble the nozzle to clean inside.

Caution: When cleaning, do not force any object through the earphone nozzle! This will damage the earphone sound filter.

Interchangeable Nozzle Insert

Three varieties of nozzle insert provide customizable frequency responses for a personalized listening experience. Use these instructions to replace or clean the nozzle insert.

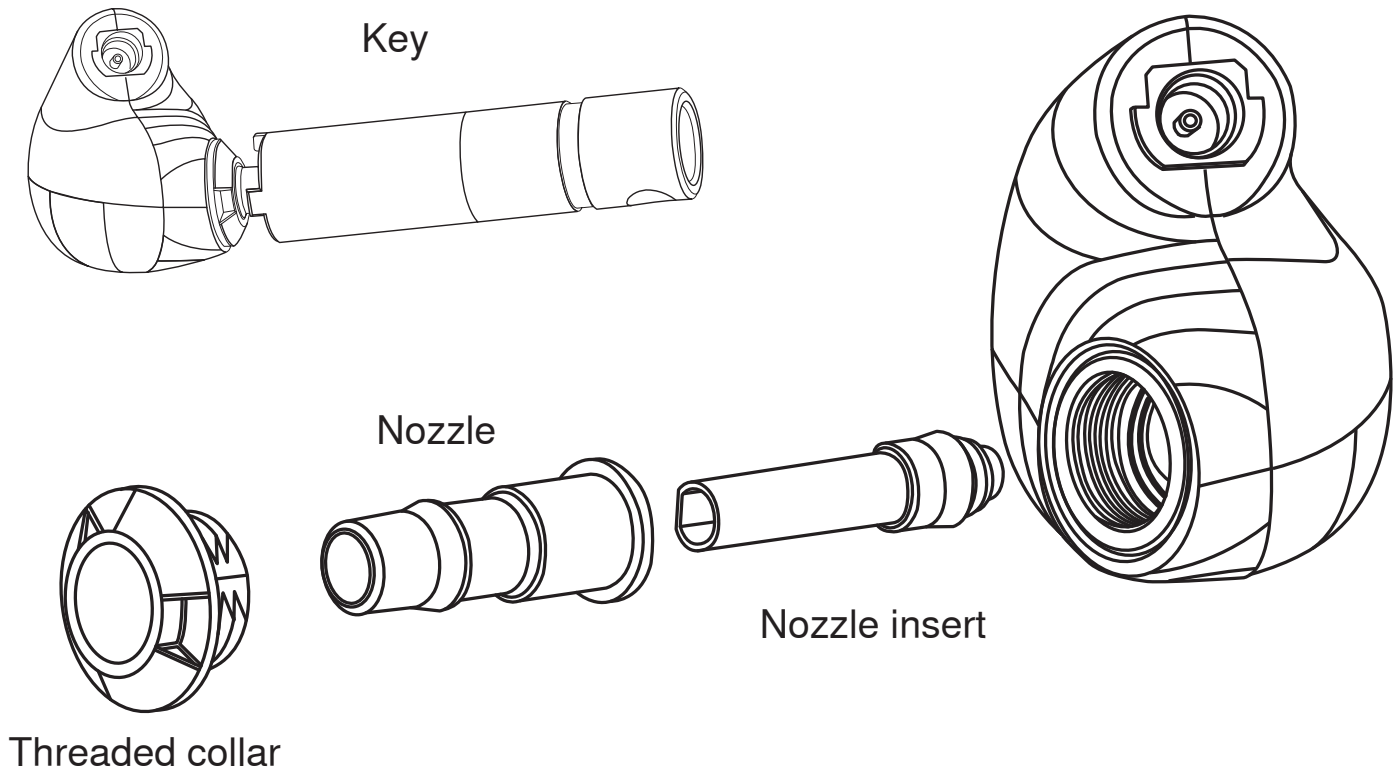
Color	Sound Signature	Response
Blue	Balanced	Neutral (as shipped)
White	Bright	+2.5 dB, 1 kHz to 8 kHz
Black	Warm	-2.5 dB, 1 kHz to 8 kHz

Removing the Nozzle

Note: The nozzle contains small parts. Choose a proper work surface before disassembly.

1. Place the nozzle key (included with earphones) over the nozzle.
2. Turn the key counter-clockwise to loosen and remove the threaded collar.
3. Pull gently on the nozzle with your fingers to remove.
4. Using your fingers only, grasp the end of the nozzle insert and gently slide it out.

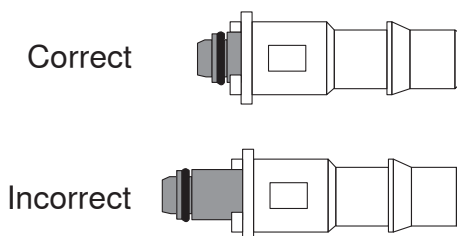
Caution: Do not use any tools or your teeth as this could cause damage to the nozzle insert.



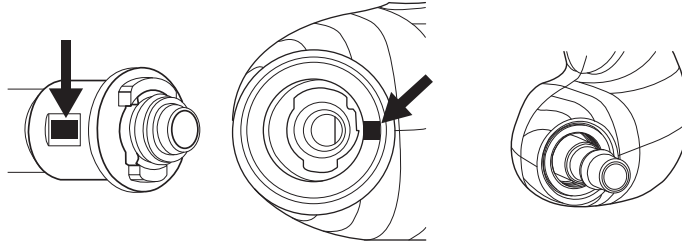
Reassembling the Nozzle

1. Gently slide the insert into the nozzle.

Important: The insert needs to be fully seated. Reposition until it slides in easily. **Do not force.**



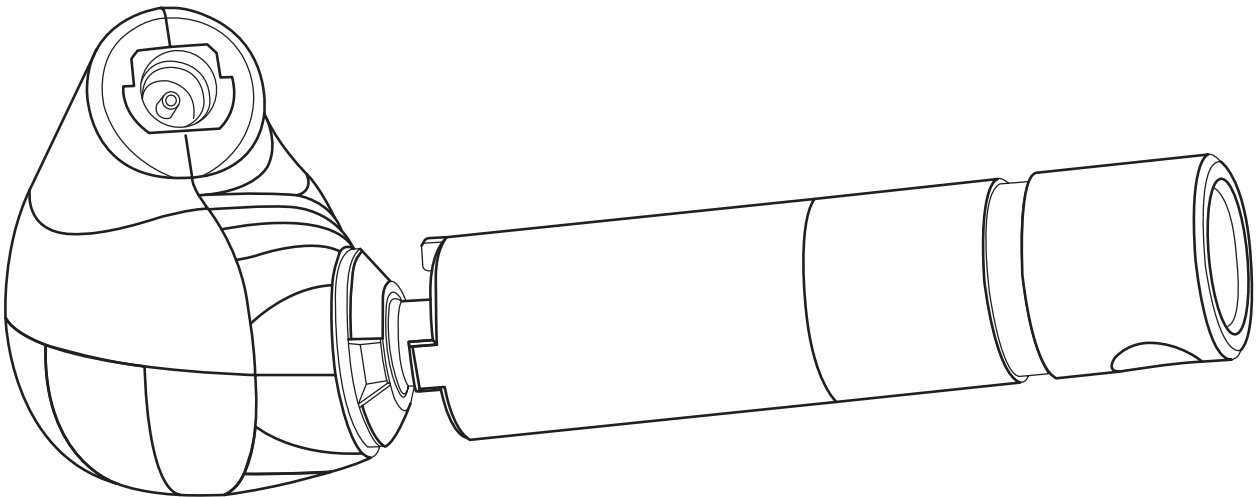
2. Insert the nozzle into the earphone, aligning the dots so it matches the keyed opening.



3. Place the threaded collar over the nozzle. After ensuring the threads are properly engaged, use the nozzle key to gently turn clockwise.

Caution: There should be no resistance to turning the collar until fully threaded into the housing. Check the following:

- The insert is fully seated in the nozzle.
 - The nozzle is properly seated in the housing (dots aligned).
4. Once you are certain that the nozzle is properly seated and the collar threaded all the way into the earphone housing, use the key to tighten the collar just enough to ensure it will not loosen during normal earphone usage.



Airline Adapter

The airline adapter accessory is a dual-mono adapter plug for compatibility with the in-seat entertainment systems on certain international airlines.

Inline Attenuator

The high sensitivity of Shure earphones means you get louder sound at a typical listening level, and you might need to reduce the volume of your audio source on your media player or computer. For some devices, especially those with a high fixed noise floor, you will hear more noise when reducing the

volume below the nominal level. Use the EA650 attenuator to reduce the signal level at the earphone, so you can keep the source volume at a higher level to maintain a good signal-to-noise ratio.

Road Case

Use the included water resistant, crush resistant road case to store and transport your earphones.

Precaution During Air Travel:

- Pressure changes during air travel can create a vacuum seal of the case which may make it difficult to open. If this occurs, gently pry the case open using a coin or other flat surface.
- To prevent this from occurring, place the attached carrying cord inside the case before closing and leave the left clasp open.

Specifications

Frequency Range

15 Hz–20 kHz

Sensitivity

at 1 kHz

114 dB SPL/mW

Impedance

at 1 kHz

9 Ω

Noise Attenuation

up to 37 dB

Included Accessories

- Crush and water resistant road case
- Fit Kit with assorted sleeves
- Zippered carrying case
- 64-inch and 46-inch detachable cables
- Airline adapter
- ¼-inch (6.3 mm) adapter
- Inline attenuator
- Cable clip
- Nozzle removal key
- Nozzle inserts for custom frequency response

For optional accessories, visit www.shure.com.

Certifications

This product meets the Essential Requirements of all relevant European directives and is eligible for CE marking.

The CE Declaration of Conformity can be obtained from:
www.shure.com/europe/compliance

Authorized European representative:
Shure Europe GmbH
Headquarters Europe, Middle East & Africa
Department: EMEA Approval
Jakob-Dieffenbacher-Str. 12
75031 Eppingen, Germany
Phone: +49-7262-92 49 0
Fax: +49-7262-92 49 11 4
Email: info@shure.de