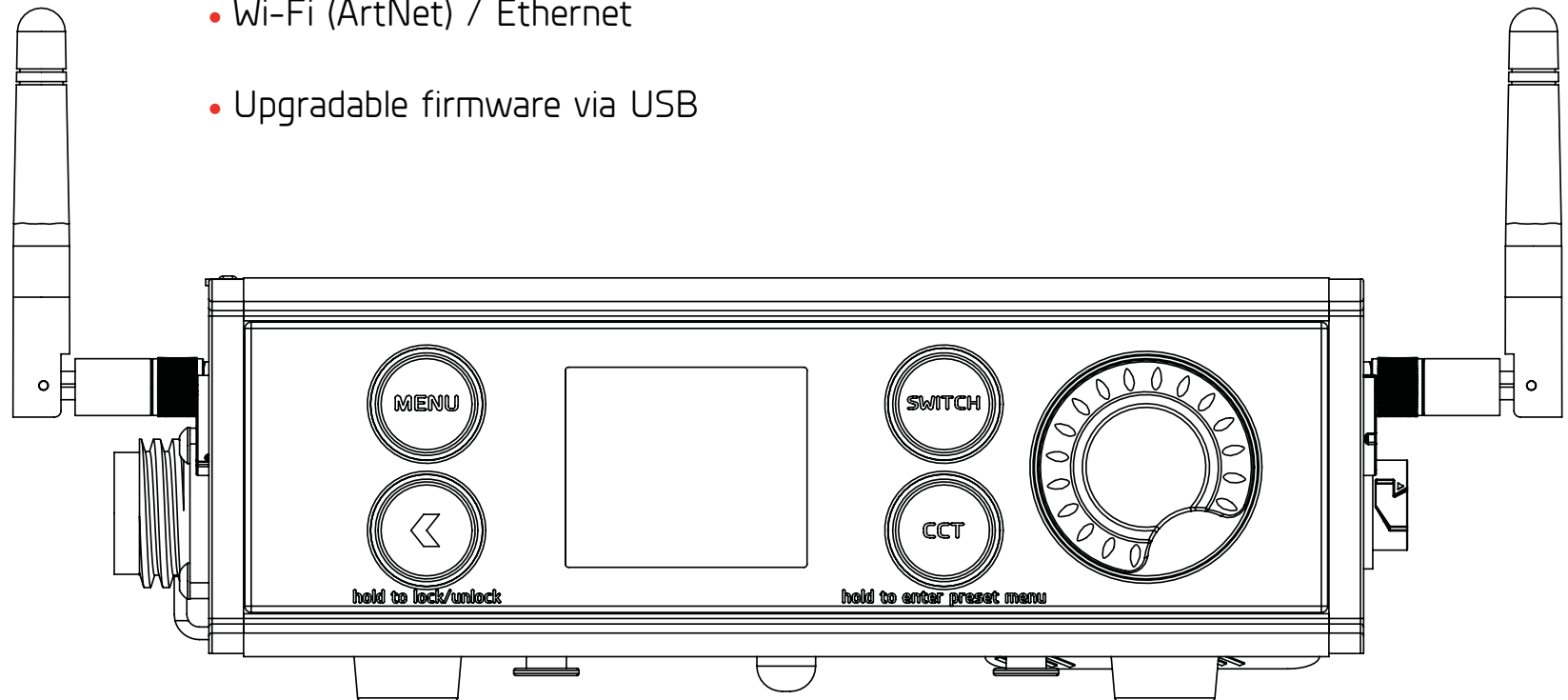
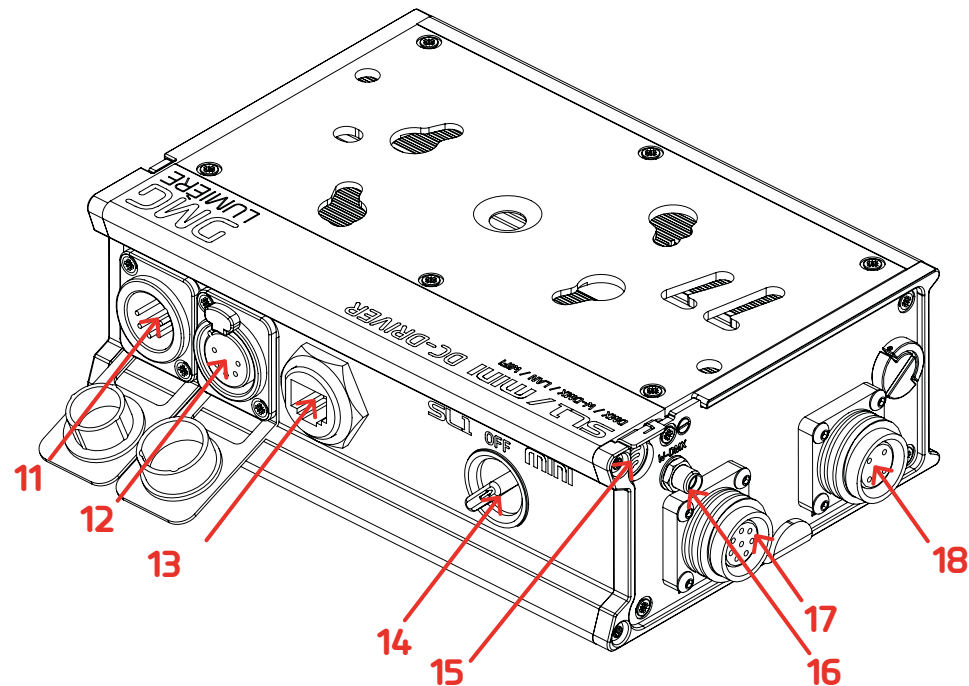
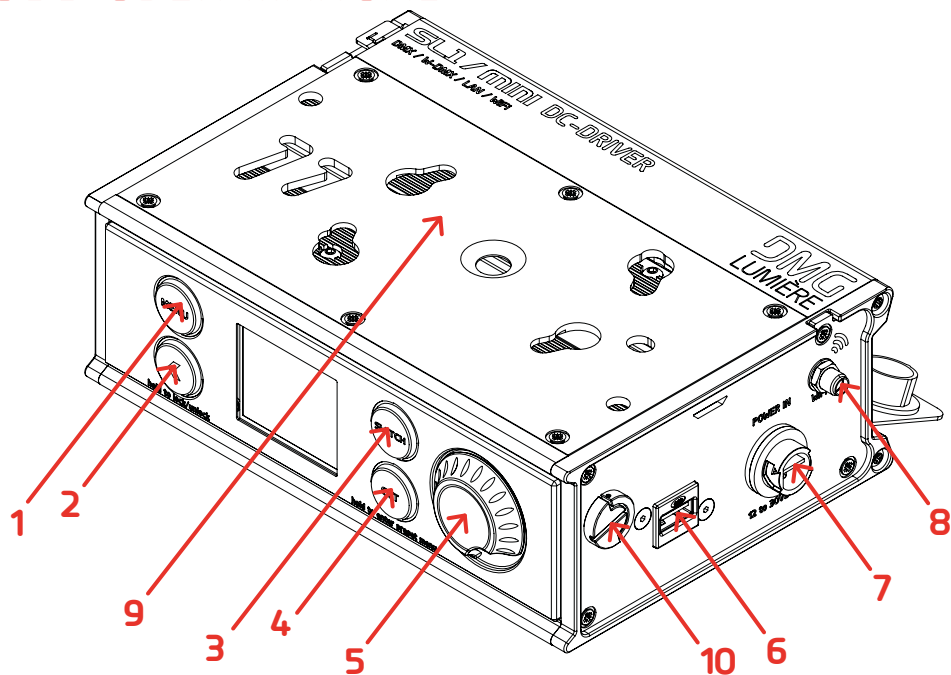


UBB

What is the UBB?

- DC driver for SL1 Switch or Mini Switch
- 12 to 35VDC input
- Wired and Wireless DMX (Lumen Radio)
- Wi-Fi (ArtNet) / Ethernet
- Upgradable firmware via USB





1. Menu

- Go to the general menu

2. Back

- Step back in menu
- Lock/unlock UBB when pressed for 2secs.

3. Switch

- Change between CCT and intensity control

4. CCT

- Quickly change from 3200°k to 5600°K
- Enter the preset menu to store or recall values

5. Dimmer button

- Press to change intensity or CCT
- Select fine or coarse dimming when pressed
- Navigate through the menu and push to validate

6. USB plug

- Upgrade the UBB's firmware

7. 12~30VDC input

8. Connector for Wifi antenna

9. Mounting plate for EPS and Battery mounts

10. Attachement for shoulder strap

11. DMX IN

12. DMX OUT

13. LAN IN

14. ON/OFF

- Turns SL1 or MINI Switch ON

15. Door for antennas storage

16. Connector for Wireless DMX antenna

17. 8 pins connector for SL1 Switch

18. 4 pins connector for Mini Switch

UBB USER MANUAL

1. Connect the UBB to a power source (DMG EPS, DMG Battery mount or any 12 to 30VDC power supply)
2. Connect the Mini Switch or SL1 Switch to the UBB
3. Turn on the UBB by selecting which light you are powering (SL1 or Mini)

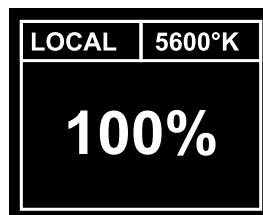
Four modes are available:

- LOCAL MODE
- DMX MODE
- Wireless DMX MODE
- CUSTOM MODE

LOCAL MODE:

Control the UBB locally with the dimmer button.

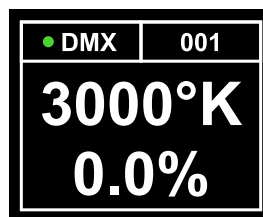
- Press the Switch button to change between CCT and intensity control
- Press CCT button for a quick change between 3200°K and 5600°K
- Press the dimmer button to select coarse or fine intensity tuning



DMX MODE:

Control the UBB remotely by cable with the DMX protocol.

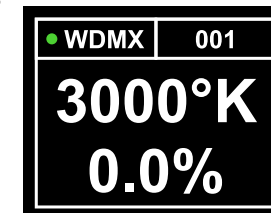
- Press the dimmer button to enter the DMX start number of the UBB



Wireless DMX MODE:

Control the UBB remotely with the Wireless DMX protocol.

- Make sure the Wireless DMX antenna is installed
- Press the dimmer button to enter the DMX start number of the UBB
- Validate by pressing go



Wireless DMX dot is red when no signal is received, green when the UBB is connected to a Wireless DMX emitter.

To synchronize with a new emitter, go back to general menu and enter Wireless DMX mode again.

CUSTOM MODE:

In custom mode the UBB acts as a translator between different protocols. It still controls the SL1 Switch or Mini Switch connected to it.

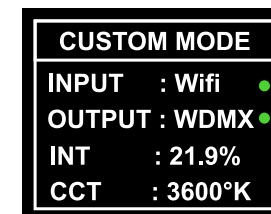
- Make sure the Wireless DMX antenna is installed if using Wireless DMX.
- Make sure the Wi-Fi antenna is installed if using Wi-Fi.
- Press the dimmer button to select data input, data output and DMX address.
- Validate by selecting «Go».

If Wi-Fi input is selected, the UBB creates a Wi-Fi networks with the following specifications:

SSID: UBB serial number
Password: dmglumiere

These informations can be find in the "info" section of the UBB menu. Wireless DMX dot is red when no signal is received, green when the UBB is connected to a Wireless DMX emitter.

- To synchronize with a new emitter, go back to general menu and enter Wireless DMX mode again.



CUSTOM MODE (Following):

(...)

Wi-Fi dot is red when no signal is received, green when the UBB is connected to a Wi-Fi device with an Art-Net app enabled.

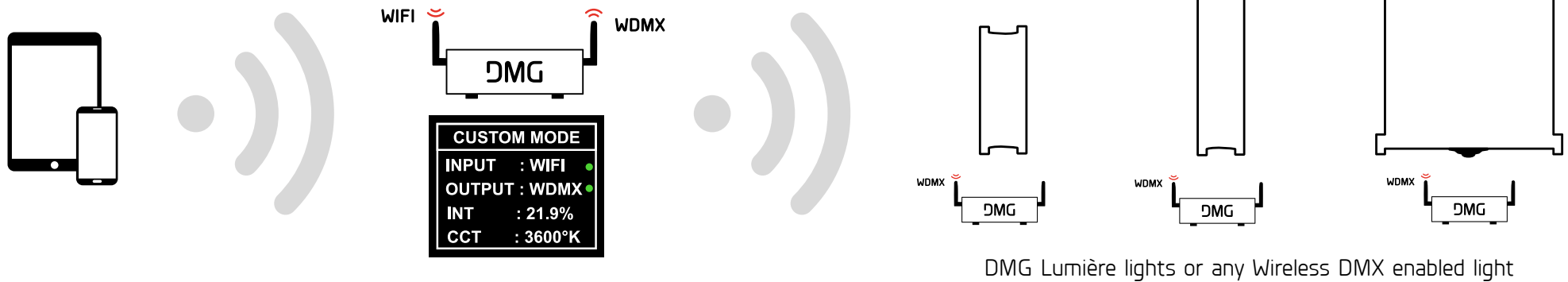
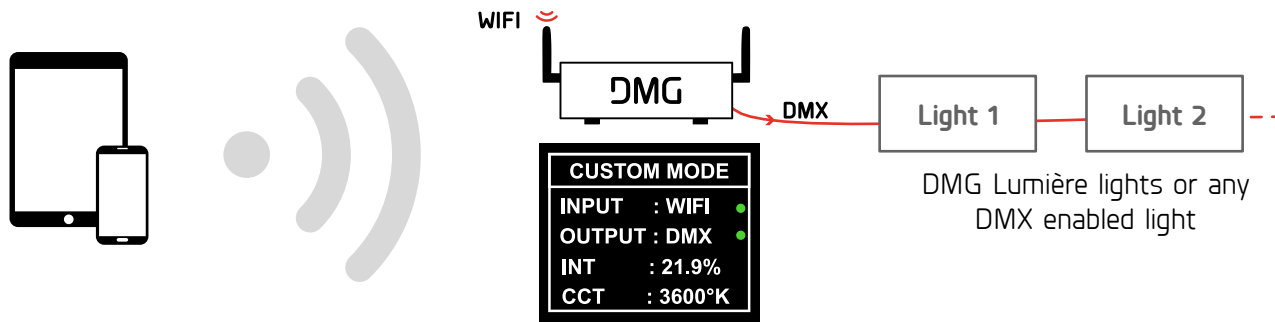
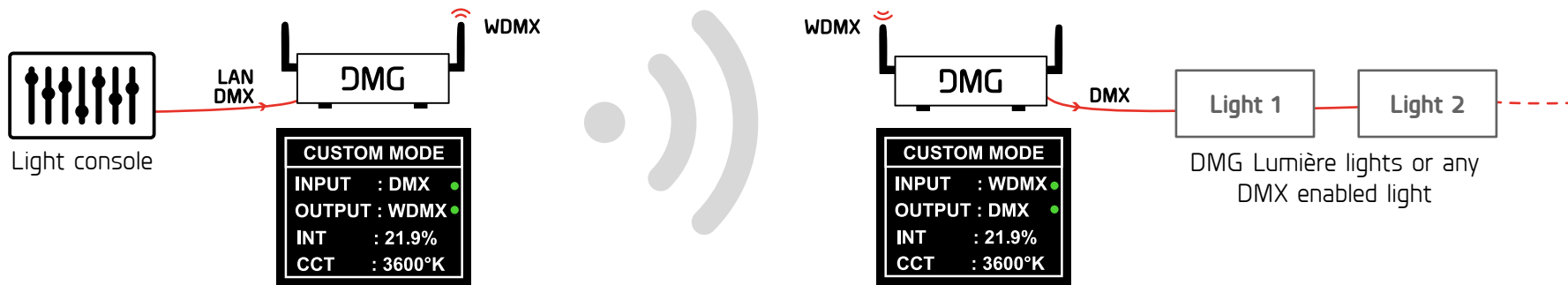
UPGRADING THE UBB:


- Download the firmware from the DMG Lumière website:
dmglumiere.com/upgrade
- Copy the file to a USB stick
- Insert the USB key in the UBB.
If a correct file is found on the USB stick, the UBB will prompt an upgrade menu.
- Select YES to upgrade
- Wait for upgrade to finish. The UBB will turn off and on automatically to activate the upgrade.

INFO:

Displays the firmware version, the Network name and password for the Wi-Fi mode.

UBB/MAXI CT USAGE EXAMPLE



Our wireless DMX is compatible with any  lumenradio powered devices.