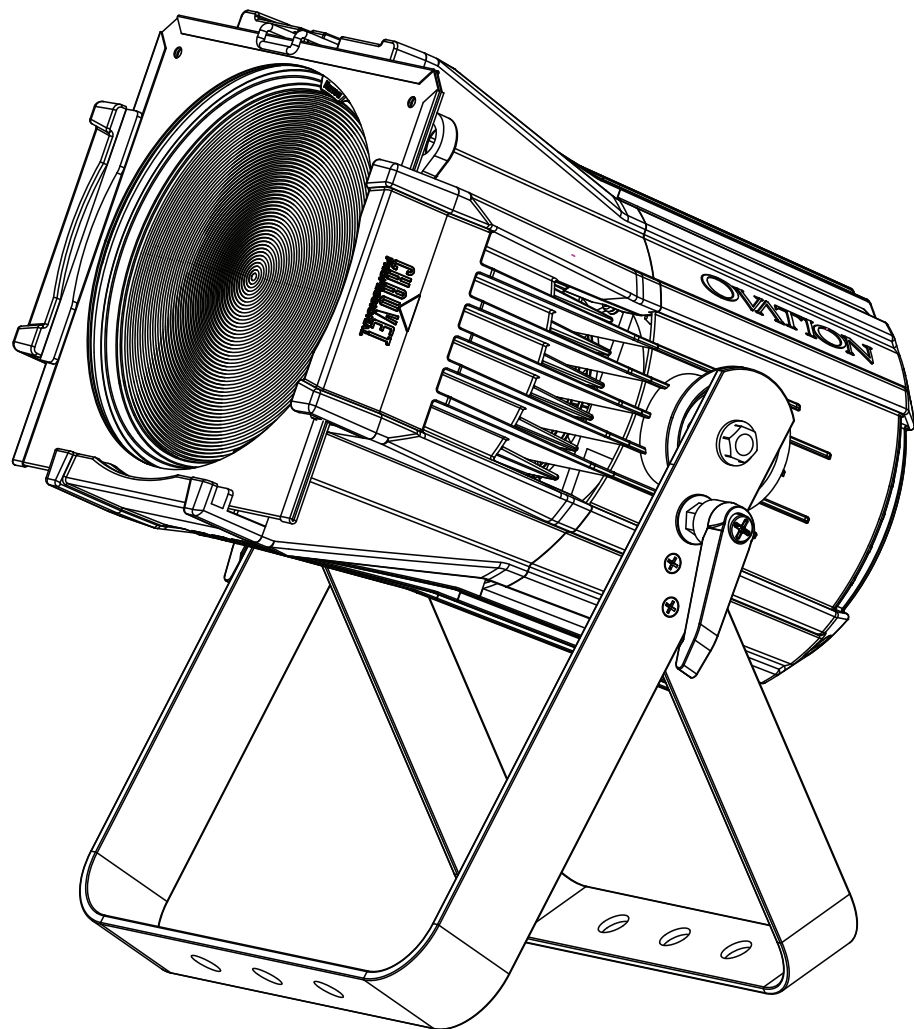


Ovation

P-56FC

Quick Reference Guide

English	EN
Español	ES
Français	FR
Deutschland	DE
Nederlands	NL




CHAUVET
PROFESSIONAL

About This Guide

The Ovation P-56FC Quick Reference Guide (QRG) has basic product information such as connection, mounting, menu options, and DMX values. Download the User Manual from www.chauvetprofessional.com for more details.

Disclaimer

The information and specifications contained in this QRG are subject to change without notice.

LIMITED WARRANTY

FOR WARRANTY REGISTRATION AND COMPLETE TERMS AND CONDITIONS PLEASE VISIT OUR WEBSITE.

For Customers in the United States and Mexico: www.chauvetlighting.com/warranty-registration.

For Customers in the United Kingdom, Republic of Ireland, Belgium, the Netherlands, Luxembourg, France, and Germany: www.chauvetlighting.com/warranty-registration.

Chauvet warrants that this product shall be free from defects in material and workmanship under normal use, for the period specified in and subject to the exclusions and limitations set forth in, the full limited warranty on our website. This warranty extends only to the original purchaser of the product and is not transferable. To exercise rights under this warranty, you must provide proof of purchase in the form of an original sales receipt from an authorized dealer that shows the product name and date of purchase. THERE ARE NO OTHER EXPRESS OR IMPLIED WARRANTIES. This warranty gives you specific legal rights. You may also have other rights that vary from state to state and country to country. This warranty is valid only in the United States, United Kingdom, Republic of Ireland, Belgium, the Netherlands, Luxembourg, France, Germany and Mexico. For warranty terms in other countries, please consult your local distributor.

Safety Notes

These Safety Notes include important information about installation, use, and maintenance.

- DO NOT open this product. It contains no user-serviceable parts.
- DO NOT look at the light source when the product is on.
- To eliminate unnecessary wear and improve its lifespan, during periods of non-use completely disconnect the product from power via breaker or by unplugging it.
- CAUTION: When transferring product from extreme temperature environments, (e.g. cold truck to warm humid ballroom) condensation may form on the internal electronics of the product. To avoid causing a failure, allow product to fully acclimate to the surrounding environment before connecting it to power.
- CAUTION: This product's housing may be hot when lights are operating.
- Mount this product in a location with adequate ventilation, at least 20 in (50 cm) from adjacent surfaces.
- DO NOT leave any flammable material within 50 cm of this product while operating or connected to power.
- USE a safety cable when mounting this product overhead.
- DO NOT operate this product outdoors or in any location where dust, excessive heat, water, or humidity may affect it. (IP20)
- DO NOT operate this product if the housing, lenses, or cables appear damaged.
- DO NOT connect this product to a dimmer or rheostat.
- ONLY connect this product to a grounded and protected circuit.
- ONLY use the hanging/mounting bracket or the handles to carry this product.
- In the event of a serious operating problem, stop using immediately.
- The maximum ambient temperature is 113 °F (45 °C). Do not operate this product at higher temperatures.

Contact

Outside the U.S., United Kingdom, Ireland, Benelux, France, Germany or Mexico, contact your distributor to request support or return a product. From inside the U.S., U.K., Ireland, Benelux, France, Germany or Mexico, use the information in [Contact Us](#) at the end of this QRG.

What is Included

- Ovation P-56FC
- Gel frame holder (7.5 in/191 mm accessories)
- Neutrik powerCON power cord
- Medium and Wide Lenses
- Quick Reference Guide

AC Power

This product has an auto-ranging power supply that can work with an input voltage range of 100–240 VAC, 50/60 Hz.

Power Linking

You can link up to 9 Ovation P-56FC products at 120 V, 16 products at 208 V, or 17 products at 230 V. Never exceed this number. Power linking cords can be purchased separately.

AC Plug

Connection	Wire (U.S.)	Wire (Europe)	Screw Color
AC Live	Black	Brown	Yellow/Brass
AC Neutral	White	Blue	Silver
AC Ground	Green/Yellow	Green/Yellow	Green



To eliminate unnecessary wear and improve its lifespan, during periods of non-use completely disconnect the product from power via breaker or by unplugging it.

Replacing the Fuse

1. Disconnect this product from power.
2. Using a flat-head screwdriver, unscrew the fuse holder cap from the housing.
3. Remove blown fuse and replace with a good fuse of the same type and rating.
4. Screw the fuse holder cap back in place and reconnect power.

DMX Linking

The Ovation P-56FC will work with a DMX controller using a 3- or 5-pin DMX data connection. A DMX Primer is available from www.chauvetprofessional.com.

DMX Connection

The Ovation P-56FC uses a 3- or 5-pin DMX data connection for its 9 DMX personalities: **1 Ch, 3 Ch, 5 Ch, 7 Ch, 10 Ch, 12 Ch, 13 Ch, 15 Ch,** and **HSV**. See the User Manual for information about connecting and configuring the product for DMX operation.

Master/Slave Connection

The Ovation P-56FC uses the DMX data connection for its Master/Slave mode. See the User Manual for information about connect and configure the product for master/slave operation.

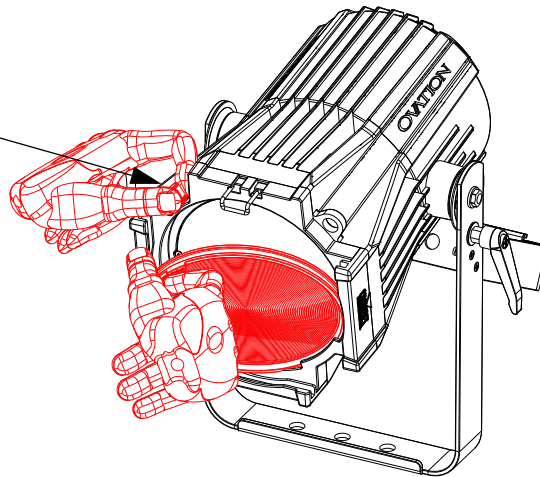
RDM (Remote Device Management)

Remote Device Management, or RDM, is a standard for allowing DMX-enabled devices to communicate bi-directionally along existing DMX cabling. Check the DMX controller’s User Manual or with the manufacturer as not all DMX controllers have this capability. The Ovation P-56FC supports RDM protocol that allows feedback to make changes to menu map options. Download the User Manual from www.chauvetprofessional.com for more details.

Alternate Lenses

The interchangeable Medium and Wide lenses allow the product to have alternate beam angles.

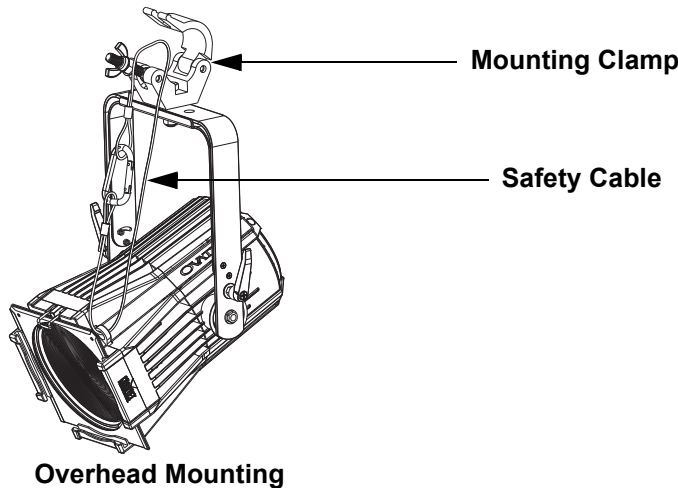
Pull knob up to release and change the lens



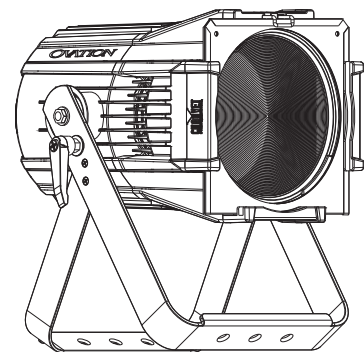
Mounting

Before mounting this product, read the [Safety Notes](#). Use at least one mounting point per product. Make sure the mounting clamps are capable of supporting the weight of the product. For our Chauvet line of mounting clamps, go to <http://trusst.com/productcategory/truss-clamps/>.

Product Mounting Diagram



Overhead Mounting



Floor Mounting

Virtual Color Wheel (VCW)

The Ovation P-56FC includes a feature called the Virtual Color Wheel (VCW). This feature is available as a stand-alone control mode for manual use and also as a control channel in select DMX personalities. Over 30 pre-mixed colors, custom blended by our engineers, are available to call up for easier programming.

The DMX values used to mix these colors are provided below. You may adjust the overall intensity of the Ovation fixture in order to more closely replicate colors you are familiar with. A chart is available on our website www.chauvetprofessional.com to compare our pre-mixed colors with popular gel colors. This chart is for comparison purposes only and is not a representation that our pre-mixed colors match any of the gel colors listed.

Virtual Color Wheel Chart

DMX Channel Value	Display Readout	Red Value	Green Value	Blue Value	Amber Value	Lime Value
000 ⇔ 005	--	000	000	000	000	000
006 ⇔ 013	C3050 - Md Yellow	255	190	004	255	255
014 ⇔ 021	C3040 - Lt Yellow	255	111	011	255	255
022 ⇔ 028	C3240 - Amb Yellow	255	245	000	255	075
029 ⇔ 035	C2340 - VLt Amber	255	010	033	255	255
036 ⇔ 043	C2040 - Lt Amber	255	008	023	255	204
044 ⇔ 051	C2050 - Md Amber	255	000	003	255	172
052 ⇔ 059	C2060 - Dk Amber	255	000	003	255	110
060 ⇔ 067	C1050 - Lt Red	255	000	005	044	000
068 ⇔ 075	C1080 - Md Red	255	000	002	000	000
076 ⇔ 083	C1020 - NC Pink	255	105	074	255	255
084 ⇔ 091	C1030 - Md Pink	255	000	074	255	247
092 ⇔ 099	C1630 - Dk Pink	255	060	075	255	255
100 ⇔ 107	C1250 - Md Red Amber	255	000	010	255	008
108 ⇔ 115	C1060 - Dk Red Amber	255	000	012	096	000
116 ⇔ 121	C1650 - Magenta	255	000	062	255	082
122 ⇔ 130	C6170 - Dk Magenta	255	000	074	020	000
131 ⇔ 138	C6020 - Lt Lavender	255	255	118	255	199
139 ⇔ 146	C5030 - Lt Blue	000	255	171	040	255
147 ⇔ 154	C5020 - VLt Blue	000	255	180	224	255
155 ⇔ 162	C5430 - Lt Blue 2	000	255	148	000	226
163 ⇔ 170	C5070 - Blue	000	255	216	000	000
171 ⇔ 178	C5050 - Md Blue	000	255	212	000	113
179 ⇔ 186	C5060 - Dk Blue	000	242	255	000	053
187 ⇔ 194	C5690 - Indigo	026	039	255	000	000
195 ⇔ 202	C5080 - VDk Blue	000	200	255	000	000
203 ⇔ 210	C5081 - VDk Blue2	000	180	255	000	000
211 ⇔ 218	C4370 - Yel Green	000	255	005	000	045
219 ⇔ 226	C4070 - Green	000	255	025	000	147
227 ⇔ 234	C4550 - Turquoise	000	172	056	000	255
235 ⇔ 242	C4560 - Aqua	000	210	072	000	255
243 ⇔ 250	C4570 - Blue Green	000	255	030	000	005
251 ⇔ 255	--	000	000	000	000	000



The colors above are simulated renditions of the color output produced as compared to other similar incandescent products. Chauvet makes no guarantee of the color output accuracy.

Color Temperature Chart

DMX Channel Value	Display Readout	Red Value	Green Value	Blue Value	Amber Value	Lime Value
000 ⇄ 005	--	000	000	000	000	000
006 ⇄ 025	2800K	201	130	048	255	255
026 ⇄ 050	3000K	172	132	054	255	255
051 ⇄ 075	3200K	144	135	061	255	255
076 ⇄ 100	3500K	115	139	071	255	255
101 ⇄ 125	4000K	083	154	088	255	255
126 ⇄ 150	4500K	072	185	107	255	255
151 ⇄ 175	5000K	062	209	124	255	255
176 ⇄ 200	5600K	046	222	142	255	255
201 ⇄ 225	6000K	038	230	154	255	255
226 ⇄ 250	6500K	029	237	166	255	255
251 ⇄ 255	--	000	000	000	000	000



The color temperatures above are simulated renditions of the color output produced as compared to a tungsten lamp at the specified color temperature. Chauvet makes no guarantee of the color output accuracy.

Control Panel Description

Button	Function
<MENU>	Exits from the current menu or function
<ENTER>	Enables the currently displayed menu or sets the currently selected value into the selected function
<UP>	Navigates upwards through the menu list or increases the numeric value when in a function
<DOWN>	Navigates downwards through the menu list or decreases the numeric value when in a function

Menu Map

Main Level	Programming Levels		Description		
DMX Address	Address	001–512*	Selects starting address (*highest channel restricted to personality chosen)		
DMX Channel	1 Ch	Virtual Color Wheel	----- 1-channel: dimmer. See Virtual Color Wheel Chart		
		Color Temperature	----- See Color Temperature Chart		
		Manual Color Mixer	Red	000–255	Combine red, green, blue, amber, and lime to make a custom color (0–100%)
			Green		
			Blue		
	Amber				
	Lime				
	3 Ch		3-channel: dimmer, virtual color wheel, color temperature		
	5 Ch		5-channel: RGBAL		
	7 Ch		7-channel: RGBAL, dimmer, strobe		
10Ch		10-channel: 16-bit dimmer, RGBAL, virtual color wheel, color temperature, strobe			
12Ch		12-channel: RGBAL, dimmer, virtual color wheel, color temperature, strobe, auto program, auto speed, dimmer speed			
13Ch		13-channel: 16-bit RGBAL and dimmer, strobe			
15Ch		15-channel: 16-bit RGBAL and dimmer, virtual color wheel, color temperature, strobe			
HSV		3-channel: hue, saturation, value			

QUICK REFERENCE GUIDE



EN

Main Level	Programming Levels		Description					
Virtual Color Wheel	Virtual Color Wheel	C3050 - Md Yellow	Dimmer 000–255	Virtual Color Wheel simulates the output of each gel color. Refer to the Virtual Color Wheel Chart section for specific values.				
		C3040 - Lt Yellow						
		C3240 - Amb Yellow						
		C2340 - VLt Amber						
		C2040 - Lt Amber						
		C2050 - Md Amber						
		C2060 - Dk Amber						
		C1050 - Lt Red						
		C1080 - Md Red						
		C1020 - NC Pink						
		C1030 - Md Pink						
		C1630 - Dk Pink						
		C1250 - Md Red Amber						
		C1060 - Dk Red Amber						
		C1650 - Magenta						
		C6170 - Dk Magenta						
		C6020 - Lt Lavender						
		C5030 - Lt Blue						
		C5020 - VLt Blue						
		C5430 - Lt Blue 2						
		C5070 - Blue						
		C5050 - Md Blue						
		C5060 - Dk Blue						
		C5690 - Indigo						
		C5080 - VDk Blue						
		C5081 - VDk Blue 2						
		C4370 - Yel Green						
		C4070 - Green						
		C4550 - Turquoise						
		C4560 - Aqua						
		C4570 - Blue Green						
		Color Temperature			Color Temperature	2800K	Dimmer 000–255	Preset white color temperatures. Emulates a tungsten lamp at the specified color temperature. Refer to the Color Temperature Chart section for specific values.
						3000K		
3200K								
3500K								
4000K								
4500K								
5000K								
5600K								
6000K								
6500K								
Manual Color Mixer	Manual Color Mixer	Red	000–255	Combine red, green, blue, amber, and lime to make a custom color (0–100%)				
		Green						
		Blue						
		Amber						
		Lime						

Main Level	Programming Levels		Description	
Auto Show	Auto 1		Selects automatic programs and auto program speed	
	Auto 2			
	Auto 3			
	Auto 4			
	Auto 5			
Master/Slave	Master		Master mode	
	Slave		Slave mode	
Dimmer Mode	Off		Linear dimmer	
	Dimmer 1		Fast dimmer curve	
	Dimmer 2		Medium dimmer curve	
	Dimmer 3		Slow dimmer curve	
White Balance	Off		Uses factory default white setting	
	Manual	Red	125–255	Sets red LED maximum value
		Green		Sets green LED maximum value
		Blue		Sets blue LED maximum value
		Amber		Sets amber LED maximum value
		Lime		Sets lime LED maximum value
LED Frequency	600Hz		Selects the PWM output frequency	
	1200Hz			
	2000Hz			
	4000Hz			
	6000Hz			
	25KHz			
Fan Mode	Auto		Sets the fan to auto mode	
	On		Sets the fan to always on	
	Off		Sets the fan to always off	
	Silent		Sets the fan to silent	
Back Light	10S		Turns off display backlight after 10 seconds of inactivity	
	30S		Turns off display backlight after 30 seconds of inactivity	
	2Min		Turns off display backlight after 2 minutes of inactivity	
	Always On		Display backlight always on	
Information	Fixture Hours	----	Shows total product hours	
	Version	V_._	Shows installed software version	
	UID	-----	Shows product UID	
Reset Factory	No		Reset to factory defaults	
	Yes			



WARNING: When operating in Fan Mode: Off, the fixture will become hotter to the touch than when using other fan modes. Use proper protective equipment to prevent burns. Keep a safe distance from flammable objects.



NOTICE: When operating in Fan Mode: Off, output of the fixture will be reduced and will not reach the same levels as when using other fan modes.

EN

DMX Values

HSV

Channel	Function	Value	Percent/Setting
1	Hue	000 ⇔ 255	0–100%
2	Saturation	000 ⇔ 255	0–100%
3	Value	000 ⇔ 255	0–100%

15Ch

Channel	Function	Value	Percent/Setting
1	Dimmer	000 ⇔ 255	0–100%
2	Dimmer Fine	000 ⇔ 255	0–100%
3	Red	000 ⇔ 255	0–100%
4	Red Fine	000 ⇔ 255	0–100%
5	Green	000 ⇔ 255	0–100%
6	Green Fine	000 ⇔ 255	0–100%
7	Blue	000 ⇔ 255	0–100%
8	Blue Fine	000 ⇔ 255	0–100%
9	Amber	000 ⇔ 255	0–100%
10	Amber Fine	000 ⇔ 255	0–100%
11	Lime	000 ⇔ 255	0–100%
12	Lime Fine	000 ⇔ 255	0–100%
13	Strobe	000 ⇔ 010 011 ⇔ 255	No function Strobe, slow to fast
14	Virtual Color Wheel	000 ⇔ 255	Refer to the Virtual Color Wheel Chart
15	Color Temperature	000 ⇔ 255	Refer to the Color Temperature Chart

13Ch

Channel	Function	Value	Percent/Setting
1	Dimmer	000 ⇔ 255	0–100%
2	Dimmer Fine	000 ⇔ 255	0–100%
3	Red	000 ⇔ 255	0–100%
4	Red Fine	000 ⇔ 255	0–100%
5	Green	000 ⇔ 255	0–100%
6	Green Fine	000 ⇔ 255	0–100%
7	Blue	000 ⇔ 255	0–100%
8	Blue Fine	000 ⇔ 255	0–100%
9	Amber	000 ⇔ 255	0–100%
10	Amber Fine	000 ⇔ 255	0–100%
11	Lime	000 ⇔ 255	0–100%
12	Lime Fine	000 ⇔ 255	0–100%
13	Strobe	000 ⇔ 010 011 ⇔ 255	No function Strobe, slow to fast

12Ch

Channel	Function	Value	Percent/Setting
1	Dimmer	000 ⇔ 255	0–100%
2	Red	000 ⇔ 255	0–100%
3	Green	000 ⇔ 255	0–100%
4	Blue	000 ⇔ 255	0–100%
5	Amber	000 ⇔ 255	0–100%
6	Lime	000 ⇔ 255	0–100%
7	Strobe	000 ⇔ 010	No function
		011 ⇔ 255	Strobe, slow to fast
8	Virtual Color Wheel	000 ⇔ 255	Refer to the Virtual Color Wheel Chart
9	Color Temperature	000 ⇔ 255	Refer to the Color Temperature Chart
10	Auto Programs	000 ⇔ 010	No function
		011 ⇔ 060	Auto program 1
		061 ⇔ 110	Auto program 2
		111 ⇔ 160	Auto program 3
		161 ⇔ 210	Auto program 4
211 ⇔ 255	Auto program 5		
11	Auto Speed	000 ⇔ 255	0–100%
12	Dimmer Mode*	000 ⇔ 051	Current dimmer speed mode
		052 ⇔ 101	Linear dimmer
		102 ⇔ 152	Nonlinear dimming curve 1 (fastest)
		153 ⇔ 203	Nonlinear dimming curve 2
		204 ⇔ 255	Nonlinear dimming curve 3 (slowest)



*Hold desired Dimmer Mode value for 3 seconds, then release. This changes the Dimmer Mode setting in the menu.

10Ch

Channel	Function	Value	Percent/Setting
1	Dimmer	000 ⇔ 255	0–100%
2	Dimmer Fine	000 ⇔ 255	0–100%
3	Red	000 ⇔ 255	0–100%
4	Green	000 ⇔ 255	0–100%
5	Blue	000 ⇔ 255	0–100%
6	Amber	000 ⇔ 255	0–100%
7	Lime	000 ⇔ 255	0–100%
8	Strobe	000 ⇔ 010	No function
		011 ⇔ 255	Strobe, slow to fast
9	Virtual Color Wheel	000 ⇔ 255	Refer to the Virtual Color Wheel Chart
10	Color Temperature	000 ⇔ 255	Refer to the Color Temperature Chart

QUICK REFERENCE GUIDE



EN

7 Ch

Channel	Function	Value	Percent/Setting
1	Dimmer	000 ⇔ 255	0–100%
2	Red	000 ⇔ 255	0–100%
3	Green	000 ⇔ 255	0–100%
4	Blue	000 ⇔ 255	0–100%
5	Amber	000 ⇔ 255	0–100%
6	Lime	000 ⇔ 255	0–100%
7	Strobe	000 ⇔ 010 011 ⇔ 255	No function Strobe, slow to fast

5 Ch

Channel	Function	Value	Percent/Setting
1	Red	000 ⇔ 255	0–100%
2	Green	000 ⇔ 255	0–100%
3	Blue	000 ⇔ 255	0–100%
4	Amber	000 ⇔ 255	0–100%
5	Lime	000 ⇔ 255	0–100%

3 Ch

Channel	Function	Value	Percent/Setting
1	Dimmer	000 ⇔ 255	0–100%
2	Virtual Color Wheel	000 ⇔ 255	Refer to the Virtual Color Wheel Chart
3	Color Temperature	000 ⇔ 255	Refer to the Color Temperature Chart

1 Ch

Channel	Function	Value	Percent/Setting
1	Dimmer	000 ⇔ 255	0–100%, color set through menu

Acerca de Esta Guía

La Guía de Referencia Rápida (GRR) del Ovation P-56FC contiene información básica sobre el producto, como montaje, opciones de menú y valores DMX. Descargue el manual de usuario de www.chauvetprofessional.com para información más detallada.

Exención de Responsabilidad

La información y especificaciones contenidas en esta GRR están sujetas a cambio sin previo aviso.

GARANTÍA LIMITADA

PARA VER EL REGISTRO DE GARANTÍA Y LOS TÉRMINOS Y CONDICIONES COMPLETOS, VISITE NUESTRO SITIO WEB.

Para clientes en los Estados Unidos y México: www.chauvetlighting.com/warranty-registration.

Para clientes en Reino Unido, República de Irlanda, Bélgica, Países Bajos, Luxemburgo, Francia y Alemania: www.chauvetlighting.eu/warranty-registration.

Chauvet garantiza que este producto estará libre de defectos de material y mano de obra en condiciones de uso normales, durante el periodo especificado, sujeto siempre a las exclusiones y limitaciones establecidas en la garantía limitada completa de nuestro sitio web. Esta garantía se concede únicamente al comprador original del producto y no es transferible. Para ejercer los derechos que otorga esta garantía, usted debe proporcionar una prueba de compra en forma de un recibo de compra original, expedido por un distribuidor autorizado, donde figure el nombre del producto y la fecha de compra. **NO EXISTEN OTRAS GARANTÍAS EXPRESAS NI IMPLÍCITAS.** Esta garantía le otorga derechos legales específicos. Es posible que a usted le asistan otros derechos, que variarán dependiendo del estado o del país. Esta garantía solamente es válida en los Estados Unidos, Reino Unido, República de Irlanda, Bélgica, Países Bajos, Luxemburgo, Francia, Alemania y México. Para conocer los términos de garantía en otros países, consulte a su distribuidor local.

Notas de Seguridad

- NO abra este producto. No contiene piezas reparables por el usuario.
- NO mire a la fuente de luz cuando el producto esté encendido.
- Para evitar un desgaste innecesario y alargar su vida útil, desconecte complemente el producto de la alimentación, mediante el interruptor desenchufándolo, durante los periodos en los que no se use.
- Cuidado: cuando transfiera el producto desde ambientes con temperatura extrema (p. ej., del remolque frío de un camión a una sala de baile con calor y humedad), puede formarse condensación en la electrónica interna del producto. Para evitar que se produzca una avería, deje que el producto se aclimate completamente al ambiente antes de conectar la alimentación.
- ¡CUIDADO! La carcasa de este producto está caliente cuando las luces están en funcionamiento.
- Monte este producto en una ubicación con ventilación adecuada, al menos a 20" (50 cm) de superficies adyacentes.
- NO deje ningún material inflamable a menos de 50 cm de este producto mientras esté funcionando o conectado a la alimentación.
- USE un cable de seguridad cuando monte este producto en lo alto.
- NO ponga en funcionamiento este producto en el exterior o en cualquier ubicación en la que el polvo, calor excesivo, agua o humedad puedan afectarlo.
- NO ponga en funcionamiento este producto si sospecha que la carcasa, lentes o cables están dañados.
- NO conecte este producto a un atenuador o reostato.
- Conecte este producto SOLO a un circuito con toma de tierra y protegido.
- Use SOLAMENTE los soportes de colgar/montar para mover este producto.
- En caso de un problema grave de funcionamiento, deje de usarlo inmediatamente.
- La máxima temperatura ambiente es de 113 °F (45 °C). No haga funcionar este producto a temperaturas más altas.

Contacto

Fuera de EE.UU, Reino Unido, Irlanda, Francia, Alemania, México o Benelux, póngase en contacto con su distribuidor para solicitar asistencia o devolver el producto. Visite [Contact Us](#) para información de contacto.

Qué va Incluido

- Ovation P-56FC
- Marco de gel (Accesorios de 191 mm/7,5 in)
- Cable de Alimentación Neutrik® powerCON®
- Lentes anchas y medianas
- Guía de Referencia Rápida

Corriente Alterna

Este producto tiene una fuente de alimentación con detección automática que puede funcionar con un rango de tensión de entrada de 100–240 VCA, 50/60 Hz.

Alimentación en Cadena

Puede enlazar hasta 9 productos Ovation P-56FC a 120 V, 16 productos a 208 V o 17 productos a 230 V. Los cables de alimentación en cadena se pueden adquirir por separado.

Enchufe CA

Conexión	Cable (EE.UU.)	Cable (Europa)	Color del tornillo
CA Cargado	Negro	Marrón	Amarillo/Latón
CA Neutro	Blanco	Azul	Plata
CA Tierra	Verde/Amarillo	Verde/Amarillo	Verde



Para evitar un desgaste innecesario y alargar su vida útil, desconecte complemente el producto de la alimentación, mediante el interruptor o desenchufándolo, durante los periodos en los que no se use.

Sustitución del Fusible

1. Desconecte el producto de la toma de corriente.
2. Con un destornillador de estrella N°2 desatornille la tapa del portafusibles.
3. Quite el fusible fundido del portafusibles y sustitúyalo con otro del mismo tipo y categoría.
4. Vuelva a atornillar la tapa del portafusibles en su sitio y conecte de nuevo la alimentación.

Enlace DMX

El Ovation P-56FC funcionará con un controlador DMX usando una conexión serie DMX normal. Hay un Manual DMX disponible en www.chauvetprofessional.com.

Conexión DMX

El Ovation P-56FC usa una conexión de datos DMX normal para sus 9 personalidades DMX: **1 Ch, 3 Ch, 5 Ch, 7 Ch, 10 Ch, 12 Ch, 13 Ch, 15 Ch** y **HSV**. Vea el Manual de usuario para conectar y configurar para funcionamiento DMX

Conexión Maestro/Esclavo

El Ovation P-56FC usa la conexión de datos DMX para su modo Maestro/Esclavo Vea el Manual de usuario para conectar y configurar para funcionamiento Maestro/Esclavo.

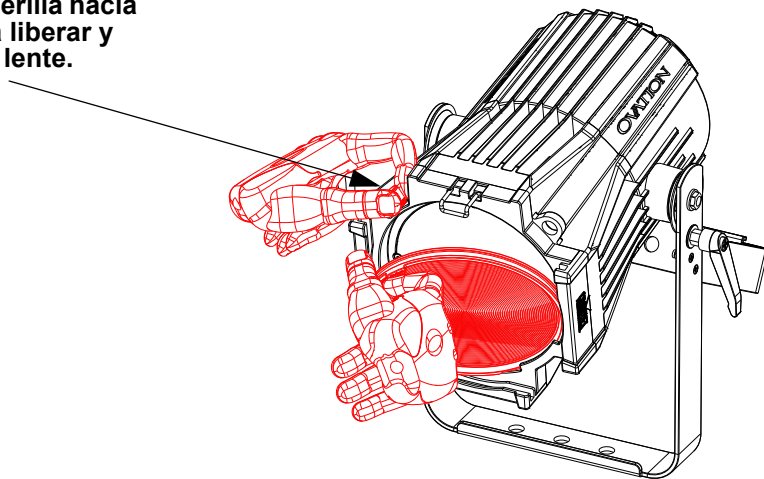
RDM (gestión remota del dispositivo)

Remote Device Management (gestión remota del dispositivo) o RDM, es un estándar que permite a los dispositivos con capacidad DMX una comunicación bidireccional por un cableado DMX existente. El Ovation P-56FC admite protocolo RDM, que posibilita información para supervisar cambiar las opciones del mapa de menú. Descargue el manual de usuario de www.chauvetprofessional.com para una información más detallada.

Lentes Alternativos

Las lentes intercambiables permiten que el producto tenga ángulos de haz alternativos.

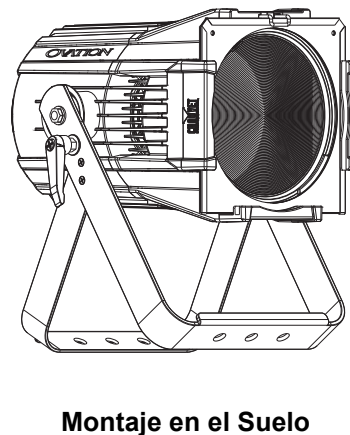
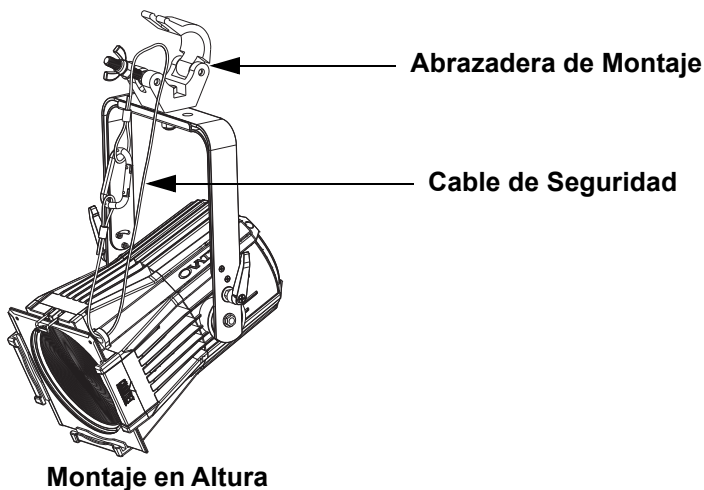
Tire de la perilla hacia arriba para liberar y cambiar la lente.



Montaje

Antes de montar este producto, lea las [Notas de Seguridad](#). Asegúrese de que las abrazaderas de montaje son capaces de soportar el peso del producto. Para nuestra línea Chauvet de abrazaderas de montaje, visite <http://trusst.com/productcategory/truss-clamps/>.

Diagrama de Montaje del Producto



Rueda de Color Virtual (VCW)

El Ovation P-56FC incluye una función de rueda de color virtual llamada Virtual Color Wheel (VCW). Esta función está disponible como modo de control independiente para uso manual y también como canal de control en algunas personalidades DMX del dispositivo. Más de 30 colores premezclados, elaborados por nuestros ingenieros, están disponibles para facilitar la programación.

Los valores DMX utilizados para mezclar estos colores se indican más abajo. Puede ajustar la intensidad general del dispositivo Ovation para reproducir más fielmente los colores a los que esté habituado. Hay un gráfico a su disposición en nuestro sitio web www.chauvetprofessional.com para comparar nuestros colores premezclados con los colores de gel más populares. Este gráfico sirve solamente para comparar y no implica que nuestros colores premezclados coincidan exactamente con los colores de gel listados

Tabla de Colores VCW

Valor del Canal DMX	Lectura en Pantalla	Valor Rojo	Valor Verde	Valor Azul	Valor Ámbar	Valor Limón
000 ⇔ 005	--	000	000	000	000	000
006 ⇔ 013	C3050 - Md Yellow	255	190	004	255	255
014 ⇔ 021	C3040 - Lt Yellow	255	111	011	255	255
022 ⇔ 028	C3240 - Amb Yellow	255	245	000	255	075
029 ⇔ 035	C2340 - VLt Amber	255	010	033	255	255
036 ⇔ 043	C2040 - Lt Amber	255	008	023	255	204
044 ⇔ 051	C2050 - Md Amber	255	000	003	255	172
052 ⇔ 059	C2060 - Dk Amber	255	000	003	255	110
060 ⇔ 067	C1050 - Lt Red	255	000	005	044	000
068 ⇔ 075	C1080 - Md Red	255	000	002	000	000
076 ⇔ 083	C1020 - NC Pink	255	105	074	255	255
084 ⇔ 091	C1030 - Md Pink	255	000	074	255	247
092 ⇔ 099	C1630 - Dk Pink	255	060	075	255	255
100 ⇔ 107	C1250 - Md Red Amber	255	000	010	255	008
108 ⇔ 115	C1060 - Dk Red Amber	255	000	012	096	000
116 ⇔ 121	C1650 - Magenta	255	000	062	255	082
122 ⇔ 130	C6170 - Dk Magenta	255	000	074	020	000
131 ⇔ 138	C6020 - Lt Lavender	255	255	118	255	199
139 ⇔ 146	C5030 - Lt Blue	000	255	171	040	255
147 ⇔ 154	C5020 - VLt Blue	000	255	180	224	255
155 ⇔ 162	C5430 - Lt Blue 2	000	255	148	000	226
163 ⇔ 170	C5070 - Blue	000	255	216	000	000
171 ⇔ 178	C5050 - Md Blue	000	255	212	000	113
179 ⇔ 186	C5060 - Dk Blue	000	242	255	000	053
187 ⇔ 194	C5690 - Indigo	026	039	255	000	000
195 ⇔ 202	C5080 - VDk Blue	000	200	255	000	000
203 ⇔ 210	C5081 - VDk Blue2	000	180	255	000	000
211 ⇔ 218	C4370 - Yel Green	000	255	005	000	045
219 ⇔ 226	C4070 - Green	000	255	025	000	147
227 ⇔ 234	C4550 - Turquoise	000	172	056	000	255
235 ⇔ 242	C4560 - Aqua	000	210	072	000	255
243 ⇔ 250	C4570 - Blue Green	000	255	030	000	005
251 ⇔ 255	--	000	000	000	000	000



Los colores listados son interpretaciones simuladas de la emisión de color generada en comparación con otros productos incandescentes similares. Chauvet no garantiza la exactitud del color emitido.

Gráfico de temperaturas de color

Valor del Canal DMX	Lectura en Pantalla	Valor Rojo	Valor Verde	Valor Azul	Valor Ámbar	Valor Limón
000 ⇔ 005	--	000	000	000	000	000
006 ⇔ 025	2800K	201	130	048	255	255
026 ⇔ 050	3000K	172	132	054	255	255
051 ⇔ 075	3200K	144	135	061	255	255
076 ⇔ 100	3500K	115	139	071	255	255
101 ⇔ 125	4000K	083	154	088	255	255
126 ⇔ 150	4500K	072	185	107	255	255
151 ⇔ 175	5000K	062	209	124	255	255
176 ⇔ 200	5600K	046	222	142	255	255
201 ⇔ 225	6000K	038	230	154	255	255
226 ⇔ 250	6500K	029	237	166	255	255
251 ⇔ 255	--	000	000	000	000	000



Las temperaturas de color que aparecen arriba son interpretaciones simuladas de la emisión de color producida cuando se compara con una lámpara de tungsteno a la temperatura de color especificada. Chauvet no garantiza la exactitud del color emitido.

Descripción del Panel de Control

Botón	Función
<MENU>	Sale del menú o función actual
<ENTER>	Habilita el menú actualmente en pantalla o configura el valor seleccionado actualmente dentro de la función seleccionada
<UP>	Navega hacia arriba por la lista de menú o aumenta el valor numérico cuando está en una función
<DOWN>	Navega hacia abajo por la lista de menú o disminuye el valor numérico cuando está en una función

Mapa de Menú

Nivel Principal	Niveles de Programación		Descripción		
DMX Address	Address	001–512*	Selecciona la dirección de inicio (*canal más alto restringido a la elección de personalidad)		
DMX Channel	1 Ch	Virtual Color Wheel	1-canales: atenuador. Vea Tabla de Colores VCW		
		Color Temperature	Vea Gráfico de temperaturas de color		
		Manual Color Mixer	Red	000–255	Combina rojo, verde, azul, ámbar y lime para generar un color personalizado (0–100%)
			Green		
			Blue		
			Amber		
	Lime				
	3 Ch	3-canales: atenuador, VCW, temperatura de color			
	5 Ch	5-canales: control RVAAL			
	7 Ch	7-canales: control RVAAL, atenuador, estroboscopio			
10Ch	10-canales: control RVAAL, atenuador, fino atenuador, estroboscopio, VCW, temperatura de color				
12Ch	12-canales: control RVAAL, atenuador, estroboscopio, VCW, temperatura de color, programas automática, velocidad automática, velocidad atenuador				
13Ch	13-canales: 16-bit-control RVAAL, atenuador, estroboscopio				
15Ch	15-canales: control RVAAL, 16-bit-control RVAAL, atenuador, fino atenuador, estroboscopio, VCW, temperatura de color				
HSV	3-canales: tono, saturación, valor				

Nivel Principal	Niveles de Programación		Descripción					
Virtual Color Wheel	Virtual Color Wheel	C3050 - Md Yellow	Dimmer 000–255	Rueda de Color Virtual simula la emisión de cada gel de color. Consulte la sección Tabla de Colores VCW para ver los valores específicos.				
		C3040 - Lt Yellow						
		C3240 - Amb Yellow						
		C2340 - VLt Amber						
		C2040 - Lt Amber						
		C2050 - Md Amber						
		C2060 - Dk Amber						
		C1050 - Lt Red						
		C1080 - Md Red						
		C1020 - NC Pink						
		C1030 - Md Pink						
		C1630 - Dk Pink						
		C1250 - Md Red Amber						
		C1060 - Dk Red Amber						
		C1650 - Magenta						
		C6170 - Dk Magenta						
		C6020 - Lt Lavender						
		C5030 - Lt Blue						
		C5020 - VLt Blue						
		C5430 - Lt Blue 2						
		C5070 - Blue						
		C5050 - Md Blue						
		C5060 - Dk Blue						
		C5690 - Indigo						
		C5080 - Vdk Blue						
		C5081 - Vdk Blue 2						
		C4370 - Yel Green						
		C4070 - Green						
		C4550 - Turquoise						
		C4560 - Aqua						
		C4570 - Blue Green						
		Color Temperature			Color Temperature	2800K	Dimmer 000–255	Temperaturas de color blanco Emula una lámpara de tungsteno a la temperatura de color especificada. Consulte el apartado Gráfico de temperaturas de color para ver valores concretos
						3000K		
3200K								
3500K								
4000K								
4500K								
5000K								
5600K								
6000K								
6500K								
Manual Color Mixer	Manual Color Mixer	Red	000–255	Combina rojo, verde, azul, ámbar y lime para generar un color personalizado (0–100%)				
		Green						
		Blue						
		Amber						
		Lime						
Auto Show	Auto 1	1–100	Selecciona programas automáticos y velocidad de programas automáticos					
	Auto 2							
	Auto 3							
	Auto 4							
	Auto 5							
Master/Slave	Master		Modo maestro					
	Slave		Modo esclavo					

Nivel Principal	Niveles de Programación		Descripción	
Dimmer Mode	Off		Atenuador lineal	
	Dimmer 1		Curva de atenuador rápida	
	Dimmer 2		Curva de atenuador media	
	Dimmer 3		Curva de atenuador lenta	
White Balance	Off		Utiliza la configuración de blanco predeterminada de fábrica	
	Manual	Red	125–255	Establece el valor máximo de LED rojo
		Green		Establece el valor máximo de LED verde
		Blue		Establece el valor máximo de LED azul
		Amber		Establece el valor máximo de LED ámbar
Lime		Establece el valor máximo de LED lime		
LED Frequency	600Hz		Selecciona la frecuencia de emisión PWM	
	1200Hz			
	2000Hz			
	4000Hz			
	6000Hz			
	25KHz			
Fan Mode	Auto		Establece el ventilador a modo auto	
	On		Establece el ventilador a modo siempre encendido	
	Off		Establece el ventilador a modo siempre apagado	
	Silent		Establece el ventilador en silencio	
Back Light	10S		Retro-iluminación de la pantalla se apaga después de 10 segundos de inactividad	
	30S		Retro-iluminación de la pantalla se apaga después de 30 segundos de inactividad	
	2Min		Retro-iluminación de la pantalla se apaga después de 2 minutos de inactividad	
	Always On		Retro-iluminación de la pantalla siempre activa	
Information	Fixture Hours	----	Muestra el nombre total de las horas del producto	
	Version	V_._-V_._	Muestra instalada la versión de software	
	UID	-----	Muestra el ID del dispositivo	
Reset Factory	No		Muestra actual UID #	
	Yes		Reinicia a la configuración de fábrica	



ADVERTENCIA: cuando funcione en modo ventilador: apagado, el aparato estará más caliente al tacto que si se usan otros modos de ventilador. Utilice un equipo de protección adecuado para evitar quemaduras. Mantenga una distancia de seguridad con objetos inflamable



AVISO: cuando funcione en modo ventilador: apagado, bajará el rendimiento del aparato y no alcanzará los mismos niveles que cuando use otros modos de ventilador.

Valores DMX
HSV

Canal	Función	Valor	Porcentaje/Configuración
1	Tono	000 ⇔ 255	0–100%
2	Saturación	000 ⇔ 255	0–100%
3	Valor	000 ⇔ 255	0–100%

15Ch

Canal	Función	Valor	Porcentaje/Configuración
1	Atenuador	000 ⇔ 255	0–100%
2	Atenuador fino	000 ⇔ 255	0–100%
3	Rojo	000 ⇔ 255	0–100%
4	Rojo fino	000 ⇔ 255	0–100%
5	Verde	000 ⇔ 255	0–100%
6	Verde fino	000 ⇔ 255	0–100%
7	Azul	000 ⇔ 255	0–100%
8	Azul fino	000 ⇔ 255	0–100%
9	Ámbar	000 ⇔ 255	0–100%
10	Ámbar fino	000 ⇔ 255	0–100%
11	Limón	000 ⇔ 255	0–100%
12	Limón fino	000 ⇔ 255	0–100%
13	Estroboscopio	000 ⇔ 010 011 ⇔ 255	Sin función Lento a rápido
14	Rueda de Color Virtual	000 ⇔ 255	Consulte la sección Tabla de Colores VCW
15	Temperatura de Color	000 ⇔ 255	Consulte el apartado Gráfico de temperaturas de color

13Ch

Canal	Función	Valor	Porcentaje/Configuración
1	Atenuador	000 ⇔ 255	0–100%
2	Atenuador fino	000 ⇔ 255	0–100%
3	Rojo	000 ⇔ 255	0–100%
4	Rojo fino	000 ⇔ 255	0–100%
5	Verde	000 ⇔ 255	0–100%
6	Verde fino	000 ⇔ 255	0–100%
7	Azul	000 ⇔ 255	0–100%
8	Azul fino	000 ⇔ 255	0–100%
9	Ámbar	000 ⇔ 255	0–100%
10	Ámbar fino	000 ⇔ 255	0–100%
11	Limón	000 ⇔ 255	0–100%
12	Limón fino	000 ⇔ 255	0–100%
13	Estroboscopio	000 ⇔ 010 011 ⇔ 255	Sin función Lento a rápido

ES

12Ch

Canal	Función	Valor	Porcentaje/Configuración
1	Atenuador	000 ⇔ 255	0–100%
2	Rojo	000 ⇔ 255	0–100%
3	Verde	000 ⇔ 255	0–100%
4	Azul	000 ⇔ 255	0–100%
5	Ámbar	000 ⇔ 255	0–100%
6	Limón	000 ⇔ 255	0–100%
7	Estroboscopio	000 ⇔ 010 011 ⇔ 255	Sin función Lento a rápido
8	Rueda de Color Virtual	000 ⇔ 255	Consulte la sección Tabla de Colores VCW
9	Temperatura de Color	000 ⇔ 255	Consulte el apartado Gráfico de temperaturas de color
10	Programas Automática	000 ⇔ 010 011 ⇔ 060 061 ⇔ 110 111 ⇔ 160 161 ⇔ 210 211 ⇔ 255	No function Auto programas 1 Auto programas 2 Auto programas 3 Auto programas 4 Auto programas 5
11	Velocidad Automática	000 ⇔ 255	0–100%
12	Modo Atenuador*	000 ⇔ 051 052 ⇔ 101 102 ⇔ 152 153 ⇔ 203 204 ⇔ 255	Modo de velocidad del atenuador actual Atenuador lineal Curva de atenuación no-lineal 1 (la más rápida) Curva de atenuación no-lineal 2 Curva de atenuación no-lineal 3



*Mantenga el valor deseado de la modo del atenuador durante 3 segundos, y luego suelte. Esto cambia la configuración de modo de atenuador en el menú.

10Ch

Canal	Función	Valor	Porcentaje/Configuración
1	Atenuador	000 ⇔ 255	0–100%
2	Atenuador fino	000 ⇔ 255	0–100%
3	Rojo	000 ⇔ 255	0–100%
4	Verde	000 ⇔ 255	0–100%
5	Azul	000 ⇔ 255	0–100%
6	Ámbar	000 ⇔ 255	0–100%
7	Limón	000 ⇔ 255	0–100%
8	Estroboscopio	000 ⇔ 010 011 ⇔ 255	Sin función Lento a rápido
9	Rueda de Color Virtual	000 ⇔ 255	Consulte la sección Tabla de Colores VCW
10	Temperatura de Color	000 ⇔ 255	Consulte el apartado Gráfico de temperaturas de color

7 Ch

Canal	Función	Valor	Porcentaje/Configuración
1	Atenuador	000 ⇔ 255	0–100%
2	Rojo	000 ⇔ 255	0–100%
3	Verde	000 ⇔ 255	0–100%
4	Azul	000 ⇔ 255	0–100%
5	Ámbar	000 ⇔ 255	0–100%
6	Limón	000 ⇔ 255	0–100%
7	Estroboscopio	000 ⇔ 010 011 ⇔ 255	Sin función Lento a rápido

5 Ch

Canal	Función	Valor	Porcentaje/Configuración
1	Rojo	000 ⇔ 255	0–100%
2	Verde	000 ⇔ 255	0–100%
3	Azul	000 ⇔ 255	0–100%
4	Ámbar	000 ⇔ 255	0–100%
5	Limón	000 ⇔ 255	0–100%

3 Ch

Canal	Función	Valor	Porcentaje/Configuración
1	Atenuador	000 ⇔ 255	0–100%
2	Rueda de Color Virtual	000 ⇔ 255	Consulte la sección Tabla de Colores VCW
3	Temperatura de Color	000 ⇔ 255	Consulte el apartado Gráfico de temperaturas de color

1 Ch

Canal	Función	Valor	Porcentaje/Configuración
1	Atenuador	000 ⇔ 255	0–100%, configura el color desde la pantalla de menú

À Propos de ce Manuel

Le Manuel de Référence (MdR) Ovation P-56FC reprend des informations de base sur ce produit notamment en matière de connexions, montage, options de menu et valeurs DMX. Téléchargez le manuel d'utilisation sur www.chauvetprofessional.com pour de plus amples informations.

Clause de Non-Responsabilité

Les informations et caractéristiques contenues dans ce manuel sont sujettes à changement sans préavis.

GARANTIE LIMITÉE

VEUILLEZ VISITER NOTRE SITE INTERNET POUR CONSULTER LES MODALITÉS D'ENREGISTREMENT DE LA GARANTIE ET LES CONDITIONS GÉNÉRALES COMPLÈTES.

Pour les clients aux États-Unis et au Mexique: www.chauvetlighting.com/warranty-registration.

Pour les clients du Royaume-Uni, de la République d'Irlande, de la Belgique, des Pays-Bas, du Luxembourg, de la France et de l'Allemagne: www.chauvetlighting.eu/warranty-registration/.

Chauvet garantit que cet appareil est exempt de défauts de matériaux et de fabrication dans des conditions normales d'utilisation, pendant la période spécifiée dans la garantie limitée complète consultable sur notre site Internet et sous réserve des exclusions et limitations qui y sont énoncées. Cette garantie ne s'applique qu'à l'acheteur initial du produit et n'est pas transférable. Pour exercer les droits prévus par cette garantie, vous devez fournir une preuve d'achat sous la forme d'un reçu de vente original d'un revendeur autorisé qui indique le nom du produit et la date d'achat. IL N'EXISTE AUCUNE AUTRE GARANTIE ÉXPRESSE OU IMPLICITE. Cette garantie vous confère des droits légaux spécifiques. Vous pouvez également bénéficier d'autres droits qui varient selon les états et les pays. Cette garantie n'est valable qu'aux États-Unis, au Royaume-Uni, en République d'Irlande, en Belgique, aux Pays-Bas, au Luxembourg, en France, en Allemagne et au Mexique. Pour connaître les conditions de garantie dans d'autres pays, veuillez consulter votre revendeur local.

Consignes de Sécurité

- N'ouvrez PAS ce produit. Il ne contient aucun composant susceptible d'être réparé par l'utilisateur.
- Ne regardez PAS la source lumineuse lorsque le produit fonctionne.
- Durant les périodes de non-utilisation, pour éviter tout usure inutile et pour prolonger la durée de vie, déconnectez-entièrement l'appareil en le débranchant de l'alimentation électrique ou en coupant le disjoncteur.
- ATTENTION: Lorsque l'appareil est transféré d'un environnement à température extrême à un autre (par exemple d'un camion froid vers une salle de bal chaude et humide), de la condensation peut se former sur les composants électriques internes. Pour éviter de causer des dommages, laissez l'appareil s'acclimater entièrement au milieu environnant avant de le mettre sous tension.
- ATTENTION: le boîtier de ce produit est brûlant lors du fonctionnement.
- Montez toujours ce produit dans un endroit bien ventilé, à au moins, 20 pouces (50 cm) des surfaces adjacentes.
- Ne laissez AUCUNE source inflammable dans un rayon de 50 cm du produit lorsque celui-ci fonctionne.
- Utilisez TOUJOURS un câble de sécurité lorsque vous montez ce produit en hauteur.
- N'utilisez PAS ce produit en extérieur ou tout autre endroit où de la poussière, une chaleur excessive, de l'eau ou de l'humidité pour en affecter le fonctionnement.
- N'utilisez PAS ce produit si le boîtier, les lentilles ou les câbles vous semblent endommagés.
- Ne connectez PAS ce produit ni à un gradateur ni à un rhéostat.
- Connectez UNIQUEMENT ce produit à un circuit protégé et relié à la terre.
- Transportez/Suspendez ce produit UNIQUEMENT au moyen de la poignée ou lyre de suspension dont il est doté.
- En cas de sérieux problèmes de fonctionnement, arrêtez le système immédiatement.
- La température ambiante maximale supportée par ce produit est de 113 °F (45 °C). Ne le faites pas fonctionner à des températures plus élevées.

Contact

En dehors des États-Unis, du Royaume-Uni, de l'Irlande, de la France, de l'Allemagne, du Mexique, et du Benelux, contactez votre fournisseur si vous avez besoin d'assistance ou de retourner votre appareil. Consultez le site [Contact Us](#) pour trouver nos coordonnées.

Ce qui est Inclus

- Ovation P-56FC
- Cadre pour gélatine (191 mm/7,5 in accessoires)
- Un Cordon d'Alimentation Neutrik powerCON
- Lentilles larges et moyennes
- Manuel de Référence

Alimentation CA

Ce produit est doté d'une alimentation universelle prenant en charge toute tension d'entrée comprise entre 100 et 240 VCA, 50/60 Hz.

Connexion Électrique

Vous pouvez connecter jusqu'à 9 Ovation P-56FC à 120 V, 16 unités à 208 V ou 17 unités à 230 V. Vous pouvez vous procurer séparément des cordons d'alimentation.

Prise CA

Connexion	Câble (États-Unis)	Câble (Europe)	Couleur de la vis
Conducteur CA	Noir	Marron	Jaune/Cuivré
Neutre CA	Blanc	Bleu	Argenté
Terre CA	Vert/Jaune	Vert/Jaune	Vert



Durant les périodes de non-utilisation, pour éviter tout usure inutile et pour prolonger la durée de vie, déconnectez-entièrement l'appareil en le débranchant de l'alimentation électrique ou en coupant le disjoncteur.

Remplacement du Fusible

1. Débranchez l'appareil de la prise.
2. À l'aide d'un tournevis Philips à tête n° 2, dévissez le couvercle du porte-fusible.
3. Remplacez le fusible obsolète par un fusible neuf équivalent
4. Revissez le couvercle du porte-fusible et rebranchez l'unité.

Raccordement DMX

Le Ovation P-56FC fonctionnera avec un jeu d'orgues DMX au moyen de connexions DMX en série standard. Une introduction au DMX est à votre disposition sur www.chauvetprofessional.com.

Connexion DMX

Le Ovation P-56FC utilise une connexion de données DMX standard pour ses 9 personnalités DMX: **1 Ch, 3 Ch, 5 Ch, 7 Ch, 10 Ch, 12 Ch, 13 Ch, 15 Ch** et **HSV**. Consultez le manuel d'utilisation pour connecter et configurer le système DMX.

Connexion Maître/Esclave

Le Ovation P-56FC utilise une connexion de données DMX pour son mode Maître/Esclave. Consultez le Manuel d'Utilisation pour connecter et configurer le mode de fonctionnement Maître/Esclave.

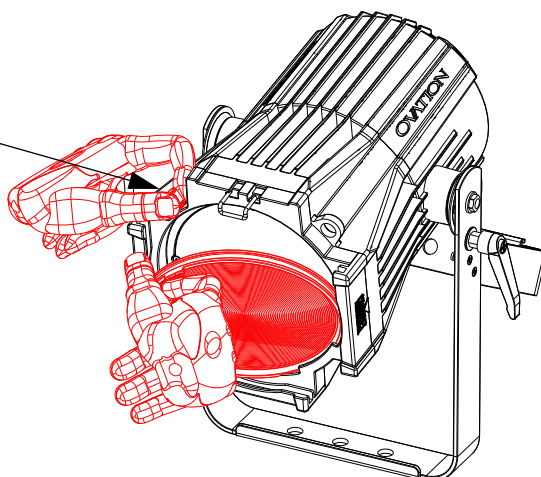
RDM (Gestion des périphériques à distance)

Le protocole RDM (gestion des périphériques à distance) est un standard pour la communication bidirectionnelle des appareils dotés de fonctions DMX dans un câblage DMX existant. Le Ovation P-56FC supporte le protocole RDM permettant un retour d'information pour la surveillance et des changements des options de menu. Veuillez télécharger le manuel de l'utilisateur à partir du site internet www.chauvetprofessional.com pour plus de détails.

Lentilles Alternatives

Les lentilles interchangeables Wide et Medium permettent au produit d'avoir d'autres angles de faisceau.

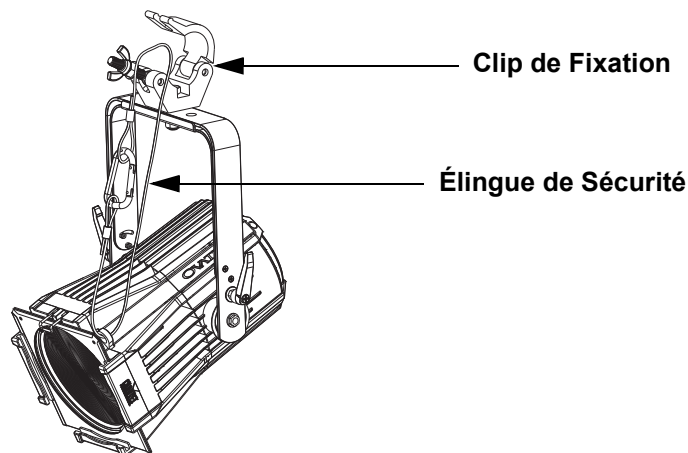
Tirez le bouton vers le haut pour libérer et changer l'objectif.



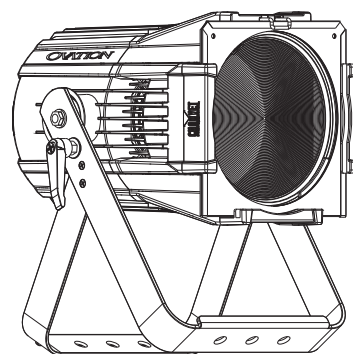
Installation

Avant de monter cet appareil, lisez et assimilez les [Consignes de Sécurité](#). Veillez à ce que les fixations sont capables de supporter le poids de l'unité. Découvrez notre gamme de fixations Chauvet sur <http://trusst.com/productcategory/truss-clamps/>.

Schéma de Montage de l'Appareil



Montage en Hauteur



Montage au Sol

Roue de Couleurs Virtuelles (VCW)

Le Ovation P-56FC dispose d'une fonction appelée Roue de Couleur Virtuelle (VCW - Virtual Color Wheel). Cette fonction est disponible en mode de contrôle autonome pour une utilisation manuelle mais également en tant que canal de contrôle dans certaines personnalités DMX. Plus de 30 couleurs pré-mélangées, personnalisées par nos ingénieurs, sont disponibles pour faciliter la programmation.

Les valeurs DMX utilisées pour mélanger ces couleurs sont indiquées ci-dessous. Vous pouvez ajuster l'intensité globale du Ovation afin de reproduire plus fidèlement les couleurs que vous avez l'habitude d'utiliser. Un graphique est disponible sur notre site Web à l'adresse www.chauvetprofessional.com pour comparer nos couleurs pré-mélangées avec des couleurs de gel populaires. Ce tableau est fourni uniquement à des fins de comparaison et ne certifie pas que nos couleurs pré-mélangées correspondent aux couleurs de gel énumérées.

Gamme de Couleurs

Valeurs des Canaux DMX	Affichage à l'Écran	Valeur Rouge	Valeur Vert	Valeur Bleu	Valeur Ambre	Valeur Lime
000 ⇔ 005	--	000	000	000	000	000
006 ⇔ 013	C3050 - Md Yellow	255	190	004	255	255
014 ⇔ 021	C3040 - Lt Yellow	255	111	011	255	255
022 ⇔ 028	C3240 - Amb Yellow	255	245	000	255	075
029 ⇔ 035	C2340 - VLt Amber	255	010	033	255	255
036 ⇔ 043	C2040 - Lt Amber	255	008	023	255	204
044 ⇔ 051	C2050 - Md Amber	255	000	003	255	172
052 ⇔ 059	C2060 - Dk Amber	255	000	003	255	110
060 ⇔ 067	C1050 - Lt Red	255	000	005	044	000
068 ⇔ 075	C1080 - Md Red	255	000	002	000	000
076 ⇔ 083	C1020 - NC Pink	255	105	074	255	255
084 ⇔ 091	C1030 - Md Pink	255	000	074	255	247
092 ⇔ 099	C1630 - Dk Pink	255	060	075	255	255
100 ⇔ 107	C1250 - Md Red Amber	255	000	010	255	008
108 ⇔ 115	C1060 - Dk Red Amber	255	000	012	096	000
116 ⇔ 121	C1650 - Magenta	255	000	062	255	082
122 ⇔ 130	C6170 - Dk Magenta	255	000	074	020	000
131 ⇔ 138	C6020 - Lt Lavender	255	255	118	255	199
139 ⇔ 146	C5030 - Lt Blue	000	255	171	040	255
147 ⇔ 154	C5020 - VLt Blue	000	255	180	224	255
155 ⇔ 162	C5430 - Lt Blue 2	000	255	148	000	226
163 ⇔ 170	C5070 - Blue	000	255	216	000	000
171 ⇔ 178	C5050 - Md Blue	000	255	212	000	113
179 ⇔ 186	C5060 - Dk Blue	000	242	255	000	053
187 ⇔ 194	C5690 - Indigo	026	039	255	000	000
195 ⇔ 202	C5080 - VDk Blue	000	200	255	000	000
203 ⇔ 210	C5081 - VDk Blue2	000	180	255	000	000
211 ⇔ 218	C4370 - Yel Green	000	255	005	000	045
219 ⇔ 226	C4070 - Green	000	255	025	000	147
227 ⇔ 234	C4550 - Turquoise	000	172	056	000	255
235 ⇔ 242	C4560 - Aqua	000	210	072	000	255
243 ⇔ 250	C4570 - Blue Green	000	255	030	000	005
251 ⇔ 255	--	000	000	000	000	000



Remarque: Les couleurs ci-dessus sont des rendus simulés de couleurs produits sur base des couleurs émises par les appareils à incandescence. Chauvet ne peut garantir l'exactitude du rendu d'une couleur.

Gamme des températures de couleur

Valeurs des Canaux DMX	Affichage à l'Écran	Valeur Rouge	Valeur Vert	Valeur Bleu	Valeur Ambre	Valeur Lime
000 ⇔ 005	--	000	000	000	000	000
006 ⇔ 025	2800K	201	130	048	255	255
026 ⇔ 050	3000K	172	132	054	255	255
051 ⇔ 075	3200K	144	135	061	255	255
076 ⇔ 100	3500K	115	139	071	255	255
101 ⇔ 125	4000K	083	154	088	255	255
126 ⇔ 150	4500K	072	185	107	255	255
151 ⇔ 175	5000K	062	209	124	255	255
176 ⇔ 200	5600K	046	222	142	255	255
201 ⇔ 225	6000K	038	230	154	255	255
226 ⇔ 250	6500K	029	237	166	255	255
251 ⇔ 255	--	000	000	000	000	000



Remarque: Les températures de couleur ci-dessus sont des rendus simulés de la sortie de couleur effectivement générée par comparaison avec une lampe tungstène à la température de couleur spécifiée. Chauvet ne donne aucune garantie sur la précision de la sortie de couleur.

Description du Tableau de Commandes

Bouton	Fonction
<MENU>	Permet la sortie du menu ou de la fonction en cours
<ENTER>	Permet l'affichage du menu en cours ou permet de configurer la valeur en cours dans la fonction sélectionnée
<UP>	Permet de parcourir les listes ou les menus vers le haut, dans une fonction permet d'augmenter les valeurs numériques
<DOWN>	Permet de parcourir les listes ou les menus vers le bas, dans une fonction permet de diminuer les valeurs numériques

Tableau de Menu

Niveau Principal	Niveaux de Programmation		Description		
DMX Address	Address	001–512*	Permet de sélectionner l'adresse de démarrage (*le canal le plus élevé est restreint à la personnalité choisie)		
DMX Channel	1 Ch	Virtual Color Wheel	1-canaux: gradateur. Voir la Gamme de Couleurs		
		Color Temperature	Voir la Gamme des températures de couleur		
		Manual Color Mixer	Red	000–255	Combine les couleurs rouge, vert, bleu, ambre et lime pour un résultat personnalisé (0–100%)
			Green		
			Blue		
	Amber				
	Lime				
	3 Ch	3-canaux: gradateur, VCW, température de la couleur			
	5 Ch	5-canaux: RVBAL control			
	7 Ch	7-canaux: RVBAL control, gradateur, stroboscope			
10Ch	10-canaux: RVBAL control, gradateur 16 bits, stroboscope, VCW, température de la couleur				
12Ch	12-canaux: RVBAL, gradateur, stroboscope, macro de couleurs, effet d'anneau, vitesse gradateur, vitesse auto, VCW				
13Ch	13-canaux: 16-bit RVBAL control, gradateur 16 bits, stroboscope				
15Ch	15-canaux: RVBAL control, gradateur 16 bits, stroboscope, VCW, température de la couleur				
HSV	3-canaux: hue, saturation, value				

Niveau Principal	Niveaux de Programmation		Description
Virtual Color Wheel	Virtual Color Wheel	C3050 - Md Yellow	Dimmer 000–255 Roue de Couleurs Virtuelles (VCW) simule le rendu des gélamines de couleur. Consultez la section Gamme de Couleurs pour en connaître les valeurs spécifiques.
		C3040 - Lt Yellow	
		C3240 - Amb Yellow	
		C2340 - VLt Amber	
		C2040 - Lt Amber	
		C2050 - Md Amber	
		C2060 - Dk Amber	
		C1050 - Lt Red	
		C1080 - Md Red	
		C1020 - NC Pink	
		C1030 - Md Pink	
		C1630 - Dk Pink	
		C1250 - Md Red Amber	
		C1060 - Dk Red Amber	
		C1650 - Magenta	
		C6170 - Dk Magenta	
		C6020 - Lt Lavender	
		C5030 - Lt Blue	
		C5020 - VLt Blue	
		C5430 - Lt Blue 2	
		C5070 - Blue	
		C5050 - Md Blue	
		C5060 - Dk Blue	
		C5690 - Indigo	
		C5080 - VDk Blue	
		C5081 - VDk Blue 2	
		C4370 - Yel Green	
		C4070 - Green	
C4550 - Turquoise			
C4560 - Aqua			
C4570 - Blue Green			
Virtual Color Wheel (suite)	Color Temperature	2800K	Dimmer 000–255 Températures de couleur de blanc prédéfinies. Simule une lampe tungstène à la température de couleur spécifiée. Référez vous à la section Gamme des températures de couleur pour les valeurs spécifiques.
		3000K	
		3200K	
		3500K	
		4000K	
		4500K	
		5000K	
		5600K	
		6000K	
		6500K	
	Manual Color Mixer	Red	000–255 Combine les couleurs rouge, vert, bleu, ambre et lime pour un résultat personnalisé (0–100%)
		Green	
		Blue	
		Amber	
		Lime	

Niveau Principal	Niveaux de Programmation		Description	
Auto Show	Auto 1		Sélectionne les programmes automatiques et vitesse auto	
	Auto 2			
	Auto 3			
	Auto 4			
	Auto 5			
Master/Slave	Master		Reçoit les signaux DMX du contrôleur DMX	
	Slave		Reçoit les signaux DMX du maître	
Dimmer Mode	Off		Courbes de gradation rapide (Dimmer1) à lent (Dimmer3) ou pas de gradateur (Off)	
	Dimmer 1			
	Dimmer 2			
	Dimmer 3			
White Balance	Off		Utilise le paramétrage de blanc défini en usine	
	Manual	Red	125–255	Définit la valeur maximale de LED rouge
		Green		Définit la valeur maximale de LED verte
		Blue		Définit la valeur maximale de LED bleue
		Amber		Définit la valeur maximale de LED ambre
		Lime		Définit la valeur maximale de LED lime
LED Frequency	600Hz		Permet de sélectionner la fréquence de sortie MLI	
	1200Hz			
	2000Hz			
	4000Hz			
	6000Hz			
	25KHz			
Fan Mode	Auto		Réglez le ventilateur en mode automatique	
	On		Réglez le mode de ventilateur toujours	
	Off		Règle le ventilateur sur toujours	
	Silent		Règle le ventilateur sur silencieux	
Back Light	10S		Désactive l'affichage rétro-éclairage après 10 secondes d'inactivité	
	30S		Désactive l'affichage rétro-éclairage après 30 secondes d'inactivité	
	2Min		Désactive l'affichage rétro-éclairage après 2 minutes d'inactivité	
	Always On		Affichage retro-eclairage toujours active	
Information	Fixture Hours	----	Affiche le nombre total des heures du produit	
	Version	V._-V._	Affiche la version du logiciel installée	
	UID	-----	Affiche UID actuel #	
Reset Factory	No		Permet de réinitialiser aux valeurs par défaut d'usine	
	Yes			



ATTENTION: Lors du fonctionnement en mode ventilateur: Lorsque le ventilateur est à l'arrêt, l'appareil devient plus chaud au toucher que lors de l'utilisation des autres modes de ventilateur. Utilisez un équipement de protection approprié pour prévenir des brûlures. Tenir à l'écart de tout objet inflammable.



REMARQUE: Lors du fonctionnement en mode ventilateur: Lorsque le ventilateur est à l'arrêt, le rendement de l'appareil est réduit et ne peut pas atteindre les mêmes niveaux que lors de l'utilisation des autres modes de ventilateur.

FR

Valeurs DMX

HSV

Canal	Fonction	Valeur	Pourcentage/Configuration
1	Hue	000 ⇔ 255	0–100%
2	Saturation	000 ⇔ 255	0–100%
3	Value	000 ⇔ 255	0–100%

15Ch

Canal	Fonction	Valeur	Pourcentage/Configuration
1	Gradateur	000 ⇔ 255	0–100%
2	Gradateur Fin	000 ⇔ 255	0–100%
3	Rouge	000 ⇔ 255	0–100%
4	Rouge Fin	000 ⇔ 255	0–100%
5	Vert	000 ⇔ 255	0–100%
6	Vert Fin	000 ⇔ 255	0–100%
7	Bleu	000 ⇔ 255	0–100%
8	Bleu Fin	000 ⇔ 255	0–100%
9	Ambre	000 ⇔ 255	0–100%
10	Ambre Fin	000 ⇔ 255	0–100%
11	Lime	000 ⇔ 255	0–100%
12	Lime Fin	000 ⇔ 255	0–100%
13	Stroboscope	000 ⇔ 010 011 ⇔ 255	Pas de fonction Stroboscope, lent à rapide
14	Roue de Couleurs Virtuelles	000 ⇔ 255	Consultez la section Gamme de Couleurs
15	Température de la Couleur	000 ⇔ 255	Consultez la section Gamme des températures de couleur

13Ch

Canal	Fonction	Valeur	Pourcentage/Configuration
1	Gradateur	000 ⇔ 255	0–100%
2	Gradateur Fin	000 ⇔ 255	0–100%
3	Rouge	000 ⇔ 255	0–100%
4	Rouge Fin	000 ⇔ 255	0–100%
5	Vert	000 ⇔ 255	0–100%
6	Vert Fin	000 ⇔ 255	0–100%
7	Bleu	000 ⇔ 255	0–100%
8	Bleu Fin	000 ⇔ 255	0–100%
9	Ambre	000 ⇔ 255	0–100%
10	Ambre Fin	000 ⇔ 255	0–100%
11	Lime	000 ⇔ 255	0–100%
12	Lime Fin	000 ⇔ 255	0–100%
13	Stroboscope	000 ⇔ 010 011 ⇔ 255	Pas de fonction Stroboscope, lent à rapide

12Ch

Canal	Fonction	Valeur	Pourcentage/Configuration
1	Gradateur	000 ⇔ 255	0–100%
2	Rouge	000 ⇔ 255	0–100%
3	Vert	000 ⇔ 255	0–100%
4	Bleu	000 ⇔ 255	0–100%
5	Ambre	000 ⇔ 255	0–100%
6	Lime	000 ⇔ 255	0–100%
7	Stroboscope	000 ⇔ 010 011 ⇔ 255	Pas de fonction Stroboscope, lent à rapide
8	Roue de Couleurs Virtuelles	000 ⇔ 255	Consultez la section Gamme de Couleurs
9	Température de la Couleur	000 ⇔ 255	Consultez la section Gamme des températures de couleur
10	Programmes automatique	000 ⇔ 010 011 ⇔ 060 061 ⇔ 110 111 ⇔ 160 161 ⇔ 210 211 ⇔ 255	No fonction Auto programmes 1 Auto programmes 2 Auto programmes 3 Auto programmes 4 Auto programmes 5
11	Vitesse auto	000 ⇔ 255	0-100%
12	Mode du Gradateur*	000 ⇔ 051 052 ⇔ 101 102 ⇔ 152 153 ⇔ 203 204 ⇔ 255	Mode vitesse gradateur actuel Gradateur linéaire Courbe de gradation non linéaire 1 (le plus rapide) Courbe de gradation non linéaire 2 Courbe de gradation non linéaire 3 (le moins rapide)



* Maintenez la valeur souhaitée de mode de gradateur pendant 3 secondes, puis relâchez. Cela modifie le réglage de la mode de gradateur dans le menu.

10Ch

Canal	Fonction	Valeur	Pourcentage/Configuration
1	Gradateur	000 ⇔ 255	0–100%
2	Gradateur Fin	000 ⇔ 255	0–100%
3	Rouge	000 ⇔ 255	0–100%
4	Vert	000 ⇔ 255	0–100%
5	Bleu	000 ⇔ 255	0–100%
6	Ambre	000 ⇔ 255	0–100%
7	Lime	000 ⇔ 255	0–100%
8	Stroboscope	000 ⇔ 010 011 ⇔ 255	Pas de fonction Stroboscope, lent à rapide
9	Roue de Couleurs Virtuelles	000 ⇔ 255	Consultez la section Gamme de Couleurs
10	Température de la Couleur	000 ⇔ 255	Consultez la section Gamme des températures de couleur

FR

7 Ch

Canal	Fonction	Valeur	Pourcentage/Configuration
1	Gradateur	000 ⇔ 255	0–100%
2	Rouge	000 ⇔ 255	0–100%
3	Vert	000 ⇔ 255	0–100%
4	Bleu	000 ⇔ 255	0–100%
5	Ambre	000 ⇔ 255	0–100%
6	Lime	000 ⇔ 255	0–100%
7	Stroboscope	000 ⇔ 010 011 ⇔ 255	Pas de fonction Stroboscope, lent à rapide

5 Ch

Canal	Fonction	Valeur	Pourcentage/Configuration
1	Rouge	000 ⇔ 255	0–100%
2	Vert	000 ⇔ 255	0–100%
3	Bleu	000 ⇔ 255	0–100%
4	Ambre	000 ⇔ 255	0–100%
5	Lime	000 ⇔ 255	0–100%

3 Ch

Canal	Fonction	Valeur	Pourcentage/Configuration
1	Gradateur	000 ⇔ 255	0–100%
2	Roue de Couleurs Virtuelles	000 ⇔ 255	Consultez la section Gamme de Couleurs
3	Température de la Couleur	000 ⇔ 255	Consultez la section Gamme des températures de couleur

1 Ch

Canal	Fonction	Valeur	Pourcentage/Configuration
1	Gradateur	000 ⇔ 255	0–100%, définie la couleur depuis le menu

Über diese Schnellanleitung

In der Schnellanleitung des Ovation P-56FC finden Sie die wesentlichen Produktinformationen, wie etwa über den Anschluss, die Montage, Menüoptionen und DMX-Werte des Geräts. Laden Sie für weiterführende Informationen unter www.chauvetprofessional.com das Benutzerhandbuch herunter.

Haftungsausschluss

Die in dieser Anleitung aufgeführten Informationen und Spezifikationen können ohne vorherige Ankündigung geändert werden.

EINGESCHRÄNKTE GARANTIE

ZUR REGISTRIERUNG FÜR GARANTIEANSPRÜCHE UND ZUR EINSICHT IN DIE VOLLSTÄNDIGEN GESCHÄFTSBEDINGUNGEN BESUCHEN SIE BITTE UNSERE WEBSITE.

Für Kunden in den USA und in Mexiko: www.chauvetlighting.com/warranty-registration.

Für Kunden im Vereinigten Königreich, in Irland, Belgien, den Niederlanden, Luxemburg, Frankreich und Deutschland: www.chauvetlighting.eu/warranty-registration.

Chauvet garantiert für die in der auf unserer Website veröffentlichten vollständigen eingeschränkten Garantie genannten Dauer und unter Vorbehalt der darin genannten Haftungsausschlüsse und -beschränkungen, dass dieses Produkt bei normalen Gebrauch frei von Material- und Verarbeitungsfehlern ist. Diese Garantie erstreckt sich nur auf den Erstkäufer des Produkts und ist nicht übertragbar. Zur Ausübung der unter dieser Garantie gewährten Rechte ist der Kaufbeleg in Form der Originalrechnung von einem autorisierten Händler vorzulegen, in der die Produktbezeichnung und das Kaufdatum vermerkt sein müssen. **ES BESTEHEN KEINE WEITEREN AUSDRÜCKLICHEN ODER STILLSCHWEIGENDEN GARANTIEN.** Diese Garantie gibt Ihnen besondere gesetzliche Rechte. Und Sie haben möglicherweise weitere Rechte, die von Land zu Land unterschiedlich sein können. Diese Garantie ist nur in den USA, im Vereinigten Königreich, in Irland, Belgien, den Niederlanden, Luxemburg, Frankreich, Deutschland und Mexiko gültig. Bezüglich der Garantiebestimmungen in anderen Ländern wenden Sie sich bitte an Ihren lokalen Händler.

Sicherheitshinweise

Diese Sicherheitshinweise enthalten wichtige Informationen über die Montage, Verwendung und Wartung des Geräts.

- Dieses Gerät NICHT öffnen. Die eingebauten Komponenten sind für den Kunden wartungsfrei.
- NIEMALS in die Lichtquelle schauen, während das Gerät eingeschaltet ist.
- Um unnötigen Verschleiß zu vermeiden und die Lebensdauer des Geräts zu verlängern, trennen Sie während längerer Perioden des Nichtgebrauchs das Gerät vom Stromnetz – entweder per Trennschalter oder durch Herausziehen des Steckers aus der Steckdose.
- VORSICHT: Beim Transport des Geräts von einer Umgebung mit außergewöhnlichen Temperaturen in eine andere solche Umgebung (z. B. aus einem kalten Transporter in einen warm-feuchten Ballsaal) kann an der im Gerät enthaltenen Elektronik Wasser kondensieren. Um einen Defekt zu vermeiden, muss sich das Gerät erst in der neuen Umgebung akklimatisiert haben, bevor es an die Stromversorgung angeschlossen werden kann.
- VORSICHT: Das Gehäuse dieses Produkts kann während des Betriebs heiß werden.
- Installieren Sie das Gerät an einem Ort mit ausreichender Belüftung und mit einem Abstand von mindestens 50 cm zu den angrenzenden Flächen.
- Belassen Sie KEINE entflammaren Materialien in einem Umkreis von 50 cm dieses Geräts, während es in Betrieb oder an der Stromversorgung angeschlossen ist.
- VERWENDEN Sie bei Montage über Kopf immer ein Sicherheitsseil.
- Nehmen sie das Gerät NICHT im Freien oder an einem Ort in Betrieb, der durch Staubentwicklung, übermäßige Hitze, Wasser oder hohe Luftfeuchtigkeit charakterisiert ist. (IP20)
- NIEMALS das Gerät in Betrieb nehmen, wenn Ihnen das Gehäuse, die Linsen oder das Kabel beschädigt erscheinen.
- Schließen Sie dieses Gerät NICHT an einen Dimmer oder Regelwiderstand an.
- Schließen Sie dieses Produkt NUR an einen mit der Erde verbundenen und geschützten Stromkreis an.
- Das Gerät NUR an den Hänge-/Befestigungsbügeln oder Griffen tragen.
- Bei ernsthaften Betriebsproblemen stoppen Sie umgehend die Verwendung des Geräts.
- Die maximal zulässige Umgebungstemperatur beträgt 45 °C. Nehmen Sie das Gerät nicht bei höheren Temperaturen in Betrieb.

Kontakt

Kunden außerhalb der USA, GB, Irland, Benelux, Frankreich, Deutschland oder Mexiko wenden sich an ihren Lieferanten, um den Kundensupport in Anspruch zu nehmen oder ein Produkt zurückzuschicken. Kontaktinformationen finden Sie im [Contact Us](#) am Ende dieses QRG.

Packungsinhalt

- Ovation P-56FC
- Netzkabel Neutrik® powerCON®
- Linsen mit weitem und mittlerem Winkel
- Gel-Rahmen (Zubehör für 7,5 Zoll/191 mm)
- Schnellanleitung

Wechselstrom

Dieses Gerät verfügt über ein Vorschaltgerät, das automatisch die anliegende Spannung erkennt, sobald der Netzstecker in die Schukosteckdose gesteckt wird, und kann mit einer Eingangsspannung von 100~240 V AC, 50/60 Hz arbeiten.

Serienschaltung der Geräte

Sie können bis zu 9 Ovation P-56FC Geräte bei 120 V AC, 16 Geräte bei 208 V und 17 Geräte bei 230 V AC in Serie schalten. Diese Anzahl niemals überschreiten! Stromkabel für die Serienschaltung können separat erworben werden.

Wechselstromstecker

Anschluss	Draht (USA)	Draht (Europa)	Schraubenfarbe
Stromführender AC-Leiter	Schwarz	Braun	Gelb/Messingfarben
AC-Neutralleiter	Weiß	Blau	Silber
AC-Erdungsleiter	Grün/Gelb	Grün/Gelb	Grün



Um Verschleiß zu vermeiden und die Lebensdauer des Geräts zu verlängern, trennen Sie während längerer Perioden des Nichtgebrauchs das Gerät vom Stromnetz – entweder per Trennschalter oder durch Herausziehen des Steckers aus der Steckdose.

Auswechseln der Sicherung

1. Trennen Sie das Gerät vom Stromnetz.
2. Mit einem Flachkopfschraubendreher lösen Sie die Abdeckung des Sicherungshalters vom Gehäuse.
3. Entfernen Sie die durchgebrannte Sicherung, und ersetzen Sie diese durch eine Sicherung des gleichen Typs und mit den gleichen Werten.
4. Schrauben Sie die Abdeckung der Sicherung wieder ein, und schließen Sie das Gerät wieder an das Stromnetz an.

DMX-Verbindung

Die Ovation P-56FC kann mit einem DMX-Controller betrieben werden, wenn eine 5-polige DMX-Datenverbindung zum Einsatz kommt. Sie können sich eine Einführung in DMX unter www.chauvetprofessional.com herunterladen.

DMX-Anschluss

Die Ovation P-56FC nutzt zur Steuerung seiner DMX-Eigenschaften eine 5-polige DMX-Datenverbindung: **1 Ch, 3 Ch, 5 Ch, 7 Ch, 10 Ch, 12 Ch, 13 Ch, 15 Ch**, und **HSV**. Informationen zum Anschließen und Konfigurieren des Geräts für einen DMX-Betrieb finden Sie in der Bedienungsanleitung.

Master/Slave-Schaltung

Die Ovation P-56FC verwendet für seinen Master/Slave-Modus eine DMX-Datenverbindung. Informationen zum Anschließen und Konfigurieren des Geräts für einen Master/Slave-Betrieb finden Sie in der Bedienungsanleitung.

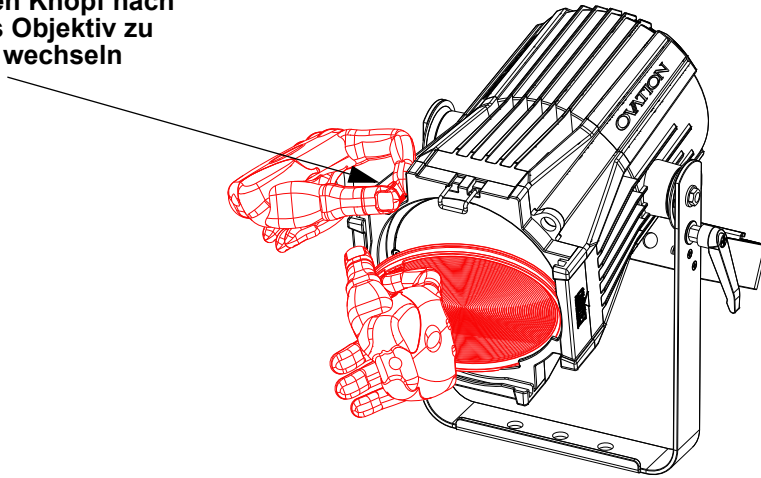
RDM (Remote Device Management)

Remote Device Management bzw. RDM ist ein Standard, mit dem DMX-aktivierte Geräte bidirektional entlang bestehender DMX-Kabel kommunizieren können. Die Ovation P-56FC unterstützt das RDM-Protokoll, über das Feedback zur Überwachung der Änderungen der Menüoptionen gegeben wird. Laden Sie für weiterführende Informationen unter www.chauvetprofessional.com das Benutzerhandbuch herunter.

Alternative Linsen

Die austauschbaren Wide Objektive ermöglichen dem Produkt alternative Ausstrahlwinkel.

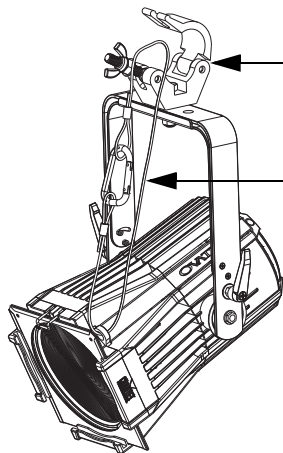
Ziehen Sie den Knopf nach oben, um das Objektiv zu lösen und zu wechseln



Montage

Lesen Sie vor der Montage dieses Geräts die [Sicherheitshinweise](#). Mindestens einen Befestigungspunkt pro Gerät verwenden. Stellen Sie sicher, dass die Befestigungsklemmen dafür ausgelegt sind, das Produktgewicht tragen zu können. Informationen zu unserer CHAUVET-Produktlinie für Befestigungsklemmen finden Sie unter <http://trusst.com/productcategory/truss-clamps/>.

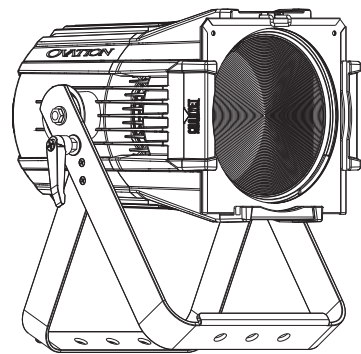
Ansicht Gerätemontage



Montageansicht

Befestigungsschelle

Montage über Kopf



Bodenmontage

Virtuelles Farbrad (VCW)

Der Ovation P-56FC verfügt über eine Funktion mit der Bezeichnung Virtuelles Farbrad (Virtual Color Wheel, VCW). Diese Funktion steht als Stand-alone-Steuerungsmodus für die manuelle Bedienung sowie als Steuerungskanal bei ausgewählten DMX-Eigenschaften zur Verfügung. Es sind mehr als 30 von unseren Technikern vorgemischte Farben verfügbar, um die Programmierung einfacher zu gestalten. Die zum Mischen dieser Farben verwendeten DMX-Werte sind nachstehend angegeben. Sie können die Gesamtintensität des Ovation anpassen, um die Farben, mit denen Sie vertraut sind, besser nachzubilden. Auf unserer Website www.chauvetprofessional.com finden Sie eine Tabelle, mit deren Hilfe Sie unsere vorgemischten Farben mit beliebigen Gel-Farben vergleichen können. Diese Tabelle dient einzig Vergleichszwecken und ist keine Gewähr dafür, dass unsere vorgemischten Farben mit einer der aufgeführten Gel-Farben übereinstimmen.

Tabelle: Virtuelles Farbrad

DMX-Kanal-Wert	Anzeige auf Display	Roter Wert	Grüner Wert	Blauer Wert	Bernsteinfarbener Wert	Neongrüner Wert
000 ⇔ 005	--	000	000	000	000	000
006 ⇔ 013	C3050 - Md Yellow	255	190	004	255	255
014 ⇔ 021	C3040 - Lt Yellow	255	111	011	255	255
022 ⇔ 028	C3240 - Amb Yellow	255	245	000	255	075
029 ⇔ 035	C2340 - VLt Amber	255	010	033	255	255
036 ⇔ 043	C2040 - Lt Amber	255	008	023	255	204
044 ⇔ 051	C2050 - Md Amber	255	000	003	255	172
052 ⇔ 059	C2060 - Dk Amber	255	000	003	255	110
060 ⇔ 067	C1050 - Lt Red	255	000	005	044	000
068 ⇔ 075	C1080 - Md Red	255	000	002	000	000
076 ⇔ 083	C1020 - NC Pink	255	105	074	255	255
084 ⇔ 091	C1030 - Md Pink	255	000	074	255	247
092 ⇔ 099	C1630 - Dk Pink	255	060	075	255	255
100 ⇔ 107	C1250 - Md Red Amber	255	000	010	255	008
108 ⇔ 115	C1060 - Dk Red Amber	255	000	012	096	000
116 ⇔ 121	C1650 - Magenta	255	000	062	255	082
122 ⇔ 130	C6170 - Dk Magenta	255	000	074	020	000
131 ⇔ 138	C6020 - Lt Lavender	255	255	118	255	199
139 ⇔ 146	C5030 - Lt Blue	000	255	171	040	255
147 ⇔ 154	C5020 - VLt Blue	000	255	180	224	255
155 ⇔ 162	C5430 - Lt Blue 2	000	255	148	000	226
163 ⇔ 170	C5070 - Blue	000	255	216	000	000
171 ⇔ 178	C5050 - Md Blue	000	255	212	000	113
179 ⇔ 186	C5060 - Dk Blue	000	242	255	000	053
187 ⇔ 194	C5690 - Indigo	026	039	255	000	000
195 ⇔ 202	C5080 - VDK Blue	000	200	255	000	000
203 ⇔ 210	C5081 - VDK Blue2	000	180	255	000	000
211 ⇔ 218	C4370 - Yel Green	000	255	005	000	045
219 ⇔ 226	C4070 - Green	000	255	025	000	147
227 ⇔ 234	C4550 - Turquoise	000	172	056	000	255
235 ⇔ 242	C4560 - Aqua	000	210	072	000	255
243 ⇔ 250	C4570 - Blue Green	000	255	030	000	005
251 ⇔ 255	--	000	000	000	000	000



Die oben genannten Farben sind simulierte Ähnlichkeiten der Farbausgabe im Vergleich zu anderen, ähnlich weißglühenden Produkten. Chauvet gibt keine Gewährleistung bezüglich der Genauigkeit der Farbausgabe.

Farbtemperatur-Tabelle

DMX-Kanal-Wert	Anzeige auf Display	Roter Wert	Grüner Wert	Blauer Wert	Bernsteinfarbener Wert	Neongrüner Wert
000 ⇔ 005	--	000	000	000	000	000
006 ⇔ 025	2800K	201	130	048	255	255
026 ⇔ 050	3000K	172	132	054	255	255
051 ⇔ 075	3200K	144	135	061	255	255
076 ⇔ 100	3500K	115	139	071	255	255
101 ⇔ 125	4000K	083	154	088	255	255
126 ⇔ 150	4500K	072	185	107	255	255
151 ⇔ 175	5000K	062	209	124	255	255
176 ⇔ 200	5600K	046	222	142	255	255
201 ⇔ 225	6000K	038	230	154	255	255
226 ⇔ 250	6500K	029	237	166	255	255
251 ⇔ 255	--	000	000	000	000	000



Die oben genannten Farbtemperaturen sind simulierte Ähnlichkeiten der Farbausgabe im Vergleich zu einer Wolframlampe mit spezifizierter Farbtemperatur. Chauvet gibt keine Gewährleistung bezüglich der Genauigkeit der Farbausgabe.

Beschreibung des Bedienfeldes

Taste	Funktion
<MENU>	Damit verlassen Sie das aktuelle Menü oder die Funktion.
<ENTER>	Damit wird das aktuell angezeigte Menü aktiviert oder der aktuell ausgewählte Wert einer Funktion eingestellt
<UP>	Damit navigieren Sie sich durch die Menüpunkte nach oben und erhöhen den numerischen Wert der entsprechenden Funktion.
<DOWN>	Damit navigieren Sie sich durch die Menüpunkte nach unten und verringern den numerischen Wert der entsprechenden Funktion.

Menüstruktur

Hauptebene	Programmirebenen		Beschreibung		
DMX Address	Address	001–512*	Wählt die DMX-Adresse aus (*der höchste Kanal ist auf die gewählte Eigenschaft beschränkt)		
DMX Channel	1 Ch	Virtual Color Wheel	1-Kanal: Dimmer. Siehe Tabelle: Virtuelles Farbrad		
		Color Temperature	Siehe Farbtemperatur-Tabelle		
		Manual Color Mixer	Red	000–255	Kombiniert rote, grüne, blaue, bernsteinfarbene und neongrüne Farben zu einer benutzerdefinierten Farbe
			Green		
			Blue		
	Amber				
	Lime				
	3 Ch		3-Kanal: Dimmer, Virtuelles Farbrad, Farbtemperatur		
	5 Ch		5-Kanal: RGBAL		
	7 Ch		7-Kanal: RGBAL, Dimmer, Stroboskopeffekt		
10Ch		10-Kanal: 16-Bit Dimmer, RGBAL, Virtuelles Farbrad, Farbtemperatur, Stroboskopeffekt			
12Ch		12-Kanal: RGBAL, Dimmer, Virtuelles Farbrad, Farbtemperatur, Stroboskopeffekt, Auto-Programm, Auto-Geschwindigkeit, Dimmungs-Geschwindigkeit			
13Ch		13-Kanal: 16-Bit RGBAL und Dimmer, Stroboskopeffekt			
15Ch		15-Kanal: 16-Bit RGBAL und Dimmer, Virtuelles Farbrad, Farbtemperatur, Stroboskopeffekt			
HSV		3-Kanal: Farbton, Farbsättigung, Farbwert			

Hauptebene	Programmirebenen		Beschreibung					
Virtual Color Wheel	Virtual Color Wheel	C3050 - Md Yellow	Dimmer 000–255	Das Virtuelle Farbrad simuliert die Ausgabe jeder Gel-Farbe. Für spezifische Werte, siehe den Abschnitt Tabelle: Virtuelles Farbrad				
		C3040 - Lt Yellow						
		C3240 - Amb Yellow						
		C2340 - VLt Amber						
		C2040 - Lt Amber						
		C2050 - Md Amber						
		C2060 - Dk Amber						
		C1050 - Lt Red						
		C1080 - Md Red						
		C1020 - NC Pink						
		C1030 - Md Pink						
		C1630 - Dk Pink						
		C1250 - Md Red Amber						
		C1060 - Dk Red Amber						
		C1650 - Magenta						
		C6170 - Dk Magenta						
		C6020 - Lt Lavender						
		C5030 - Lt Blue						
		C5020 - VLt Blue						
		C5430 - Lt Blue 2						
		C5070 - Blue						
		C5050 - Md Blue						
		C5060 - Dk Blue						
		C5690 - Indigo						
		C5080 - VDk Blue						
		C5081 - VDk Blue 2						
		C4370 - Yel Green						
		C4070 - Green						
		C4550 - Turquoise						
		C4560 - Aqua						
		C4570 - Blue Green						
		Color Temperature			Color Temperature	2800K	Dimmer 000–255	Voreinstellung der weißen Farbtemperaturen. Bildet eine Wolframlampe mit der spezifizierten Farbtemperatur ab. Für spezifische Werte, siehe den Abschnitt Farbtemperatur-Tabelle
						3000K		
3200K								
3500K								
4000K								
4500K								
5000K								
5600K								
6000K								
6500K								
Manual Color Mixer	Manual Color Mixer	Red	000–255	Kombiniert rote, grüne, blaue, bernsteinfarbene und neongrüne Farben zu einer benutzerdefinierten Farbe				
		Green						
		Blue						
		Amber						
		Lime						
Auto Show	Auto 1	1–100	Wählt das Auto-Programm und die Programm-Geschwindigkeit aus					
	Auto 2							
	Auto 3							
	Auto 4							
	Auto 5							
Master/Slave	Master		DMX-Modus (Master)					
	Slave		Slave-Modus					

Hauptebene	Programmirebenen		Beschreibung	
Dimmer Mode	Off		Linear dimmer	
	Dimmer 1		Schnelle Dimmerkurve	
	Dimmer 2		Mittlere Dimmerkurve	
	Dimmer 3		Langsame Dimmerkurve	
White Balance	Off		Verwendet die werksseitig voreingestellte Standardeinstellung "Weiß"	
	Manual	Red	125–255	Stellt den maximalen Wert der roten LED ein
		Green		Stellt den maximalen Wert der grünen LED ein
		Blue		Stellt den maximalen Wert der blauen LED ein
		Amber		Stellt den maximalen Wert der bernsteinfarbenen LED ein
		Lime		Stellt den maximalen Wert der neongrünen LED ein
LED Frequency	600Hz		Stellt die PWM-Frequenz ein	
	1200Hz			
	2000Hz			
	4000Hz			
	6000Hz			
	25KHz			
Fan Mode	Auto		Stellt den Lüfter auf den Auto-Modus ein	
	On		Stellt den Lüfter auf den "immer eingeschaltet"-Modus ein	
	Off		Setzt den Lüfter auf immer aus	
	Silent		Stellt den Lüfter auf lautlos	
Back Light	10S		Damit wird die Anzeige nach 10 Sekunden Inaktivität ausgeschaltet	
	30S		Damit wird die Anzeige nach 30 Sekunden Inaktivität ausgeschaltet	
	2Min		Damit wird die Anzeige nach 2 Minuten Inaktivität ausgeschaltet	
	Always On		Hintergrundbeleuchtung der Anzeige immer an	
Information	Fixture Hours	----	Zeigt an, wie lange das Gerät eingeschaltet gewesen ist	
	Version	V__-V__	Zeigt die aktuelle Firmware-Version an	
	UID	-----	Zeigt die Geräte-UID an	
Factory Setting	No		Damit stellen Sie das Gerät auf die	
	Yes		Werkseinstellungen zurück	



WARNUNG: Wenn Sie im Lüftermodus arbeiten: Aus, wird das Gerät bei Berührung heißer als bei Verwendung anderer Lüftermodi. Verwenden Sie geeignete Schutzausrüstung, um Verbrennungen zu vermeiden. Halten Sie einen Sicherheitsabstand zu brennbaren Gegenständen ein.



HINWEIS: Im Lüftermodus: Aus wird der Ausgang des Geräts reduziert und erreicht nicht die gleichen Pegel wie bei Verwendung anderer Lüftermodi.

DE

DMX-Werte

HSV

Kanal	Funktion	Wert	Prozent/Einstellung
1	Farbton	000 ⇔ 255	0–100%
2	Farbsättigung	000 ⇔ 255	0–100%
3	Farbwert	000 ⇔ 255	0–100%

15Ch

Kanal	Funktion	Wert	Prozent/Einstellung
1	Dimmer	000 ⇔ 255	0–100%
2	Feine Dimmer	000 ⇔ 255	0–100%
3	Rot	000 ⇔ 255	0–100%
4	Feine rot	000 ⇔ 255	0–100%
5	Grün	000 ⇔ 255	0–100%
6	Feine grün	000 ⇔ 255	0–100%
7	Blau	000 ⇔ 255	0–100%
8	Feine blau	000 ⇔ 255	0–100%
9	Bernsteinfarben	000 ⇔ 255	0–100%
10	Feine bernsteinfarben	000 ⇔ 255	0–100%
11	Neongrün	000 ⇔ 255	0–100%
12	Feine neongrün	000 ⇔ 255	0–100%
13	Stroboskop	000 ⇔ 010 011 ⇔ 255	Keine Funktion Stroboskopeffekt, langsam bis schnell
14	Virtuelles Farbrad	000 ⇔ 255	Siehe Tabelle: Virtuelles Farbrad
15	Farbtemperatur	000 ⇔ 255	Siehe Farbtemperatur-Tabelle

13Ch

Kanal	Funktion	Wert	Prozent/Einstellung
1	Dimmer	000 ⇔ 255	0–100%
2	Feine Dimmer	000 ⇔ 255	0–100%
3	Rot	000 ⇔ 255	0–100%
4	Feine rot	000 ⇔ 255	0–100%
5	Grün	000 ⇔ 255	0–100%
6	Feine grün	000 ⇔ 255	0–100%
7	Blau	000 ⇔ 255	0–100%
8	Feine blau	000 ⇔ 255	0–100%
9	Bernsteinfarben	000 ⇔ 255	0–100%
10	Feine bernsteinfarben	000 ⇔ 255	0–100%
11	Neongrün	000 ⇔ 255	0–100%
12	Feine neongrün	000 ⇔ 255	0–100%
13	Stroboskop	000 ⇔ 010 011 ⇔ 255	Keine Funktion Stroboskopeffekt, langsam bis schnell

12Ch

Kanal	Funktion	Wert	Prozent/Einstellung
1	Dimmer	000 ⇔ 255	0–100%
2	Rot	000 ⇔ 255	0–100%
3	Grün	000 ⇔ 255	0–100%
4	Blau	000 ⇔ 255	0–100%
5	Bernsteinfarben	000 ⇔ 255	0–100%
6	Neongrün	000 ⇔ 255	0–100%
7	Stroboskop	000 ⇔ 010	Keine Funktion
		011 ⇔ 255	Stroboskopeffekt, langsam bis schnell
8	Virtuelles Farbrad	000 ⇔ 255	Siehe Tabelle: Virtuelles Farbrad
9	Farbtemperatur	000 ⇔ 255	Siehe Farbtemperatur-Tabelle
10	Auto-Programme	000 ⇔ 010	Keine Funktion
		011 ⇔ 060	Autoprogramm 1
		061 ⇔ 110	Autoprogramm 2
		111 ⇔ 160	Autoprogramm 3
		161 ⇔ 210	Autoprogramm 4
	211 ⇔ 255	Autoprogramm 5	
11	Auto-Geschwindigkeit	000 ⇔ 255	0–100%
12	Dimmungs- geschwindigkeit*	000 ⇔ 051	Aktuelle Dimmergeschwindigkeit
		052 ⇔ 101	Dimmer-Geschwindigkeits-Modus aus
		102 ⇔ 152	Dimmer-Geschwindigkeits-Modus 1 (schnellste)
		153 ⇔ 203	Dimmer-Geschwindigkeits-Modus 2
		204 ⇔ 255	Dimmer-Geschwindigkeits-Modus 3 (langsamste)



*Gewünschte Dimmungsgeschwindigkeit für 3 Sekunden halten und dann loslassen. Damit wird die Einstellung der Dimmungsgeschwindigkeit im Menü geändert.

10Ch

Kanal	Funktion	Wert	Prozent/Einstellung
1	Dimmer	000 ⇔ 255	0–100%
2	Feine Dimmer	000 ⇔ 255	0–100%
3	Rot	000 ⇔ 255	0–100%
4	Grün	000 ⇔ 255	0–100%
5	Blau	000 ⇔ 255	0–100%
6	Bernsteinfarben	000 ⇔ 255	0–100%
7	Neongrün	000 ⇔ 255	0–100%
8	Stroboskop	000 ⇔ 010	Keine Funktion
		011 ⇔ 255	Stroboskopeffekt, langsam bis schnell
9	Virtuelles Farbrad	000 ⇔ 255	Siehe Tabelle: Virtuelles Farbrad
10	Farbtemperatur	000 ⇔ 255	Siehe Farbtemperatur-Tabelle

DE

7 Ch

Kanal	Funktion	Wert	Prozent/Einstellung
1	Dimmer	000 ⇔ 255	0–100%
2	Rot	000 ⇔ 255	0–100%
3	Grün	000 ⇔ 255	0–100%
4	Blau	000 ⇔ 255	0–100%
5	Bernsteinfarben	000 ⇔ 255	0–100%
6	Neongrün	000 ⇔ 255	0–100%
7	Stroboskop	000 ⇔ 010 011 ⇔ 255	Keine Funktion Stroboskopeffekt, langsam bis schnell

5 Ch

Kanal	Funktion	Wert	Prozent/Einstellung
1	Rot	000 ⇔ 255	0–100%
2	Grün	000 ⇔ 255	0–100%
3	Blau	000 ⇔ 255	0–100%
4	Bernsteinfarben	000 ⇔ 255	0–100%
5	Neongrün	000 ⇔ 255	0–100%

3 Ch

Kanal	Funktion	Wert	Prozent/Einstellung
1	Dimmer	000 ⇔ 255	0–100%
2	Virtuelles Farbrad	000 ⇔ 255	Siehe Tabelle: Virtuelles Farbrad
3	Farbtemperatur	000 ⇔ 255	Siehe Farbtemperatur-Tabelle

1 Ch

Kanal	Funktion	Wert	Prozent/Einstellung
1	Dimmer	000 ⇔ 255	0–100%, Farb eingestellt von Menü

Over deze handleiding

De Ovation P-56FC Beknopte Handleiding (BH) bevat basisinformatie over het product, zoals aansluiting, montage, menu-opties en DMX-waarden. Download de gebruikershandleiding op www.chauvetprofessional.com voor meer informatie.

Disclaimer

De informatie en specificaties in deze BH kunnen zonder voorafgaande kennisgeving worden gewijzigd.

BEPERKTE GARANTIE

GA NAAR ONZE WEBSITE VOOR REGISTRATIE VAN DE GARANTIE EN DE VOLLEDIGE ALGEMENE VOORWAARDEN.

Voor klanten in de Verenigde Staten en Mexico: www.chauvetlighting.com/warranty-registration.

Voor klanten in het Verenigd Koninkrijk, Ierland, België, Nederland, Luxemburg, Frankrijk en Duitsland: www.chauvetlighting.eu/warranty-registration.

Chauvet garandeert dat dit product bij normaal gebruik vrij zal blijven van defecten in materiaal en vakmanschap, voor de opgegeven periode en onder voorbehoud van de uitzonderingen en beperkingen die zijn uiteengezet in de volledige beperkte garantie op onze website. Deze garantie geldt uitsluitend voor de oorspronkelijke koper van het product en is niet overdraagbaar. Om onder deze garantie rechten uit te oefenen, moet u een aankoopbewijs overleggen in de vorm van een origineel verkoopbewijs van een geautoriseerde dealer, waarop de naam van het product en de aankoopdatum zichtbaar zijn. **ER ZIJN GEEN ANDERE EXPLICIETE OF IMPLICIETE GARANTIES.** Deze garantie geeft u specifieke wettelijke rechten. Mogelijk heeft u ook andere rechten die van staat tot staat en van land tot land verschillen. Deze garantie is uitsluitend geldig in de Verenigde Staten, het Verenigd Koninkrijk, Ierland, België, Nederland, Luxemburg, Frankrijk, Duitsland en Mexico. Neem contact op met uw lokale verkoper voor garantievoorwaarden in andere landen.

Veiligheids instructies

- Open het product NIET. Het bevat geen te onderhouden onderdelen.
- KIJK NIET in de lichtbron wanneer het apparaat is ingeschakeld.
- Om onnodige slijtage te elimineren en zijn levensduur te verlengen, gedurende perioden wanneer het product niet wordt gebruikt, moet u het product van de stroom afsluiten door een aardlekschakelaar om te zetten of door het te ontkoppelen.
- LET OP: Bij het verplaatsen van het product uit extreme omgevingen, (bijv. koude vrachtwagen naar warme, vochtige balzaal) kan er condensvorming optreden op de elektronica van het product. Om storingen te vermijden moet het product volledig kunnen acclimatiseren aan de omgeving voordat het op stroom wordt aangesloten.
- LET OP: De behuizing van dit product kan heet zijn wanneer het in bedrijf is.
- Monteer dit product op een plek met voldoende ventilatie, ten minste 50 cm van de aangrenzende oppervlakken.
- Plaats geen ontvlambaar materiaal binnen 50 cm van dit product als het in gebruik is of is aangesloten op het stopcontact.
- GEBRUIK een veiligheidskabel bij het boven het hoofd plaatsen van dit product.
- Gebruik dit product NIET buitenshuis of op een locatie waar stof, grote warmte, water of vochtigheid het kunnen beïnvloeden.
- Gebruik dit product NIET als de behuizing, lenzen of kabels beschadigd lijken.
- Sluit dit product NIET aan op een dimmer of een regelweerstand.
- Sluit dit product UITSLUITEND op een geaard en beveiligd stroomcircuit.
- Gebruik UITSLUITEND de ophang-/montagebeugels of de hendels om dit product te dragen.
- Stop in het geval van ernstige operationele problemen onmiddellijk met het gebruik.
- De maximale omgevingstemperatuur bedraagt 45 °C. Gebruik dit product niet bij hogere temperaturen.

Contact

Van buiten de VS, Verenigd Koninkrijk, Ierland, Frankrijk, Duitsland, Benelux of Mexico kunt u contact opnemen met de distributeur of om ondersteuning vragen dan wel het product retourneren. Ga naar [Contact Us](#) voor contact informatie.

Wat is inbegrepen

- Ovation P-56FC
- Neutrik® powerCON® stroomsnoer
- Gelframe (191 mm/7,5 in accessoires)
- Brede en medium lenzen
- Beknopte handleiding

AC-Stroom

Dit product heeft een voeding met automatisch bereik die werkt met een ingangsspanning van 100–240 VAC, 50/60 Hz.

Power Linking

U kunt tot 9 Ovation P-56FC-producten koppelen bij 120 V, 16 producten bij 208 V of 17 producten bij 230 V. Dit aantal niet overschrijden. Power Linking-snoeren kunnen apart aangeschaft worden.

AC-stekker

Aansluiting	Snoer (VS)	Snoer (Europa)	Schroefkleur
AC Live	Zwart	Bruin	Geel/messing
AC Neutraal	Wit	Blauw	Zilver
AC Aarde	Groen/geel	Groen/geel	Groen



Om onnodige slijtage te elimineren en zijn levensduur te verlengen, gedurende perioden wanneer het product niet wordt gebruikt, moet u het product van de stroom afsluiten door een aardlekschakelaar om te zetten of door het te ontkoppelen.

De zekering vervangen

1. Ontkoppel dit product van de stroom.
2. Gebruik een kruiskopschroevendraaier nr. 2 en schroef de kap van de zekeringshouder los van de behuizing.
3. Verwijder de doorgebrande zekering en vervang het met een werkende zekering van hetzelfde type en met dezelfde waarde.
4. Schroef de kap van de zekeringhouder terug en steek de stekker er weer in.

DMX-koppeling

De Ovation P-56FC kan met een DMX-controller werken met een normale DMX seriële verbinding. Op www.chauvetprofessional.com is een DMX-basishandleiding verkrijgbaar.

DMX-aansluiting

De Ovation P-56FC gebruikt een normale DMX-gegevensverbinding voor zijn 9 DMX-persoonlijkheden: **1 Ch, 3 Ch, 5 Ch, 7 Ch, 10 Ch, 12 Ch, 13 Ch, 15 Ch** en **HSV**. Zie de gebruikershandleiding om te verbinden en te configureren voor DMX-werking.

Master/slave-verbinding

De Ovation P-56FC maakt gebruik van de DMX-dataverbinding voor haar Master-/Slave-modus. Zie de gebruikershandleiding om te verbinden en te configureren voor Master/Slave-werking.

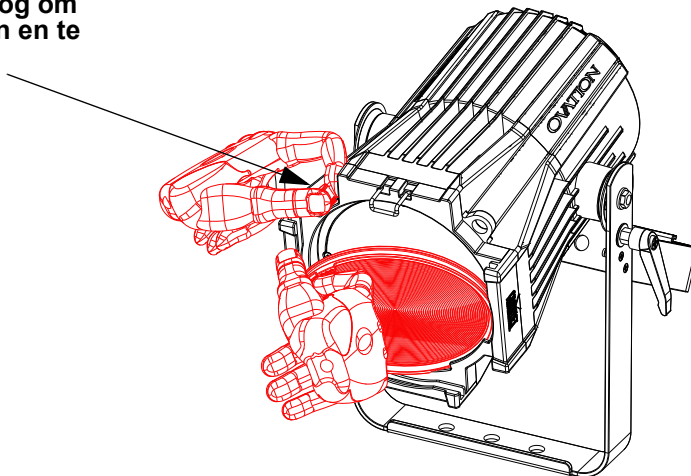
RDM (apparaatbeheer op afstand)

Remote Device Management of RDM (apparaatbeheer op afstand) is een standaard die het voor DMX-apparaten mogelijk maakt om in twee richtingen te communiceren over bestaande DMX-kabels. De Ovation P-56FC ondersteunt het RDM-protocol dat zorgt feedback toelaat bij de bewaking van wijzigingen aan de menu map-opties van. Download de gebruikershandleiding op www.chauvetprofessional.com voor meer informatie.

Alternatieve Lenzen

De verwisselbare brede en middelgrote lenzen geven het product alternatieve stralingshoeken.

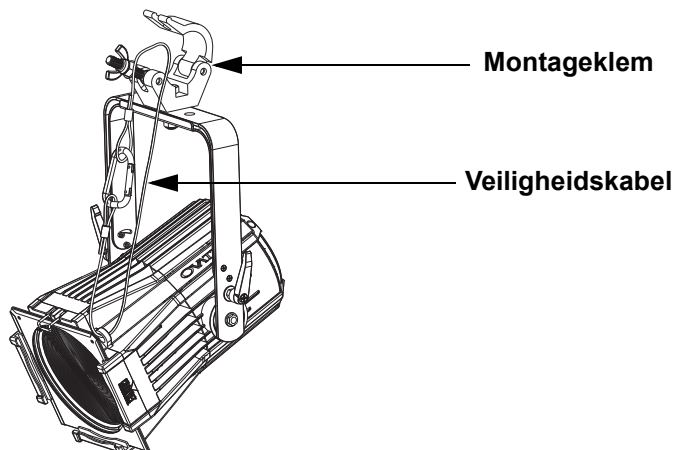
Trek de knop omhoog om de lens los te maken en te verwisselen



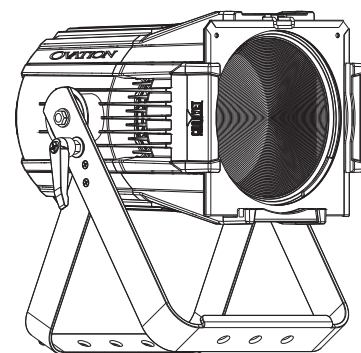
Montage

Lees alvorens dit product te monteren alle [Veiligheids instructies](#). Controleer of de montageklem het gewicht van het product kan dragen. Ga voor onze Chauvet-serie montageklemmen naar <http://trusst.com/productcategory/truss-clamps/>

Montagediagram van het product



Montage boven het hoofd



Plaatsing op de vloer

Virtueel kleurenwiel

De Ovation P-56FC bevat een functie, genaamd het virtuele kleurenwiel (Virtual Color Wheel, VCW). Deze functie is beschikbaar als een losstaande bedieningsmodus voor handmatig gebruik en ook als een bedieningskanaal in de geselecteerde DMX-persoonlijkheden van de producten. Voor eenvoudiger programmering zijn er meer dan 30 voorgemengde kleuren beschikbaar die speciaal door onze technici zijn samengesteld.

De DMX-waarden die worden gebruikt voor het mengen van deze kleuren staan hieronder vermeld. U kunt de algehele intensiteit van het Ovation-armatuur aanpassen om de kleuren waarmee u bekend bent beter na te bootsen. Op onze website www.chauvetprofessional.com is een tabel beschikbaar om onze voorgemengde kleuren te vergelijken met populaire gelkleuren. Deze grafiek is uitsluitend bedoeld voor vergelijkingsdoeleinden en vormt geen garantie dat onze voorgemengde kleuren overeenkomen met de vermelde gelkleuren.

Kleurenkaart

DMX-kanaalwaarde	Weergave op het display	Rode waarde	Groene waarde	Blauwe waarde	Amber waarde	Lime waarde
000 ⇔ 005	--	000	000	000	000	000
006 ⇔ 013	C3050 - Md Yellow	255	190	004	255	255
014 ⇔ 021	C3040 - Lt Yellow	255	111	011	255	255
022 ⇔ 028	C3240 - Amb Yellow	255	245	000	255	075
029 ⇔ 035	C2340 - VLt Amber	255	010	033	255	255
036 ⇔ 043	C2040 - Lt Amber	255	008	023	255	204
044 ⇔ 051	C2050 - Md Amber	255	000	003	255	172
052 ⇔ 059	C2060 - Dk Amber	255	000	003	255	110
060 ⇔ 067	C1050 - Lt Red	255	000	005	044	000
068 ⇔ 075	C1080 - Md Red	255	000	002	000	000
076 ⇔ 083	C1020 - NC Pink	255	105	074	255	255
084 ⇔ 091	C1030 - Md Pink	255	000	074	255	247
092 ⇔ 099	C1630 - Dk Pink	255	060	075	255	255
100 ⇔ 107	C1250 - Md Red Amber	255	000	010	255	008
108 ⇔ 115	C1060 - Dk Red Amber	255	000	012	096	000
116 ⇔ 121	C1650 - Magenta	255	000	062	255	082
122 ⇔ 130	C6170 - Dk Magenta	255	000	074	020	000
131 ⇔ 138	C6020 - Lt Lavender	255	255	118	255	199
139 ⇔ 146	C5030 - Lt Blue	000	255	171	040	255
147 ⇔ 154	C5020 - VLt Blue	000	255	180	224	255
155 ⇔ 162	C5430 - Lt Blue 2	000	255	148	000	226
163 ⇔ 170	C5070 - Blue	000	255	216	000	000
171 ⇔ 178	C5050 - Md Blue	000	255	212	000	113
179 ⇔ 186	C5060 - Dk Blue	000	242	255	000	053
187 ⇔ 194	C5690 - Indigo	026	039	255	000	000
195 ⇔ 202	C5080 - Vdk Blue	000	200	255	000	000
203 ⇔ 210	C5081 - Vdk Blue2	000	180	255	000	000
211 ⇔ 218	C4370 - Yel Green	000	255	005	000	045
219 ⇔ 226	C4070 - Green	000	255	025	000	147
227 ⇔ 234	C4550 - Turquoise	000	172	056	000	255
235 ⇔ 242	C4560 - Aqua	000	210	072	000	255
243 ⇔ 250	C4570 - Blue Green	000	255	030	000	005
251 ⇔ 255	--	000	000	000	000	000



Let op: De kleuren hierboven zijn gesimuleerde waargaven van de kleurenitvoer die zijn geproduceerd, in vergelijking met de andere gelijksoortige lichtproducten. Chauvet geeft geen garantie over de nauwkeurigheid van de kleuropbrengst.

Kleurtemperatuur-kaart

DMX-kanaalwaarde	Weergave op het display	Rode waarde	Groene waarde	Blauwe waarde	Amber waarde	Lime waarde
000 ⇔ 005	--	000	000	000	000	000
006 ⇔ 025	2800K	201	130	048	255	255
026 ⇔ 050	3000K	172	132	054	255	255
051 ⇔ 075	3200K	144	135	061	255	255
076 ⇔ 100	3500K	115	139	071	255	255
101 ⇔ 125	4000K	083	154	088	255	255
126 ⇔ 150	4500K	072	185	107	255	255
151 ⇔ 175	5000K	062	209	124	255	255
176 ⇔ 200	5600K	046	222	142	255	255
201 ⇔ 225	6000K	038	230	154	255	255
226 ⇔ 250	6500K	029	237	166	255	255
251 ⇔ 255	--	000	000	000	000	000



Let op: De bovenstaande kleurtemperaturen zijn gesimuleerde weergaven van de geproduceerde kleuropbrengst, in vergelijking met een wolfram-lamp bij de opgegeven kleurtemperatuur. Chauvet geeft geen garantie over de nauwkeurigheid van de kleuropbrengst.

Beschrijving bedienings paneel

Toets	Functie
<MENU>	Sluit het huidige menu of functie af
<ENTER>	Activeert het huidige getoonde menu of plaatst de huidige geselecteerde waarde in de geselecteerde functie
<UP>	Navigeert omhoog via het menu of verhoogt de numerieke waarde wanneer in een functie
<DOWN>	Navigeert omlaag via het menu of verlaagt de numerieke waarde wanneer in een functie

Menu-map

Hoofdniveau	Programmeerniveaus		Beschrijving	
DMX Address	Address	001–512*	Selecteer het DMX-adres (*hoogste kanaal beperkt tot de gekozen persoonlijkheid)	
DMX Channel	1 Ch	Virtual Color Wheel	1-kanaal: dimmer. Zie Kleurenkaart	
		Color Temperature	Zie Kleurtemperatuur-kaart	
	Manual Color Mixer	Red	000–255	Combineert rood, groen, blauw, amber en lime om een aangepaste kleur te genereren (0–100%)
		Green		
		Blue		
		Amber		
		Lime		
	3 Ch		3-kanaal: dimmer, virtuele kleurenwiel, kleurtemperatuur	
	5 Ch		5-kanaal: RGBAL	
	7 Ch		7-kanaal: RGBAL, dimmer, stroboscoop	
10Ch		10-kanaal: 16-bits dimmer, RGBAL, virtuele kleurenwiel, kleurtemperatuur, stroboscoop		
12Ch		12-kanaal: RGBAL, dimmer, virtuele kleurenwiel, kleurtemperatuur, stroboscoop, programma's, programmasnelheid, dimmersnelheid		
13Ch		13-kanaal: 16-bits RVBAL en dimmer, stroboscoop		
15Ch		15-kanaal: 16-bits RGBAL en dimmer, virtuele kleurenwiel, kleurtemperatuur stroboscoop		
HSV		3-kanaal: tint, verzadiging, waarde		

Hoofdniveau	Programmeerniveaus		Beschrijving	
Virtual Color Wheel	Virtual Color Wheel	C3050 - Md Yellow	Dimmer 000–255	Het virtuele kleurenwiel simuleert de opbrengst van elke gelkleur. Raadpleeg de sectie Kleurenkaart voor specifieke waarden
		C3040 - Lt Yellow		
		C3240 - Amb Yellow		
C2340 - VLt Amber				
C2040 - Lt Amber				
C2050 - Md Amber				
C2060 - Dk Amber				
C1050 - Lt Red				
C1080 - Md Red				
C1020 - NC Pink				
C1030 - Md Pink				
C1630 - Dk Pink				
C1250 - Md Red Amber				
C1060 - Dk Red Amber				
C1650 - Magenta				
C6170 - Dk Magenta				
C6020 - Lt Lavender				
C5030 - Lt Blue				
C5020 - VLt Blue				
C5430 - Lt Blue 2				
C5070 - Blue				
C5050 - Md Blue				
C5060 - Dk Blue				
C5690 - Indigo				
C5080 - Vdk Blue				
C5081 - Vdk Blue 2				
C4370 - Yel Green				
C4070 - Green				
C4550 - Turquoise				
C4560 - Aqua				
C4570 - Blue Green				
Color Temperature	Color Temperature	2800K	Dimmer 000–255	Voorinstelde witte kleurtemperaturen. Emuleert een wolfram-lamp bij de opgegeven kleurtemperatuur. Raadpleeg de sectie Kleurtemperatuur-kaart voor specifieke waarden
		3000K		
		3200K		
		3500K		
		4000K		
		4500K		
		5000K		
		5600K		
		6000K		
		6500K		
Manual Color Mixer	Manual Color Mixer	Red	000–255	Combineert rood, groen, blauw, amber en lime om een aangepaste kleur te genereren (0–100%)
		Green		
		Blue		
		Amber		
		Lime		
Auto Show	Auto 1	1–100	Selecteert automatische programma's en automatische programmasnelheid	
	Auto 2			
	Auto 3			
	Auto 4			
	Auto 5			
Master/Slave	Master	Master-modus		
	Slave		Slave-modus	

Hoofdniveau	Programmeerniveaus		Beschrijving	
Dimmer Mode	Off		Lineaire dimmer	
	Dimmer 1		Snelle dimmer-kromme	
	Dimmer 2		Gemiddelde dimmer-kromme	
	Dimmer 3		Langzame dimmer-kromme	
White Balance	Off		Gebruikt standaard witte instelling	
	Manual	Red	125–255	Stelt de maximum waarde van de rode LED in
		Green		Stelt de maximum waarde van de groene LED in
		Blue		Stelt de maximum waarde van de blauwe LED in
		Amber		Stelt de maximum waarde van de amber LED in
	Lime	Stelt de maximum waarde van de lime LED in		
LED Frequency	600Hz		Selecteert de PWM-uitgangsfrequentie	
	1200Hz			
	2000Hz			
	4000Hz			
	6000Hz			
	25KHz			
Fan Mode	Auto		Ingesteld de ventilator automatische modus	
	On		Ingesteld de ventilator altijd aan modus	
	Off		Ingesteld de ventilator altijd uit	
	Silent		Ingesteld de ventilator stil	
Back Light	10S		Schakelt de backlight van de display uit na 10s van inactiviteit	
	30S		Schakelt de backlight van de display uit na 30s van inactiviteit	
	2Min		Schakelt de backlight van de display uit na 2 mins van inactiviteit	
	Always On		De backlight van de display is altijd aan	
Information	Fixture Hours	----	Toont het totale aantal producturen	
	Version	V_--V_--	Toont de geïnstalleerde softwareversie	
	UID	-----	Toont het apparaat-ID van het product	
Factory Setting	No		Geeft de huidige UID #	
	Yes		Herstellen naar de fabrieksstandaard	



WAARSCHUWING: Bij werking in de ventilatormodus: Uit, de armatuur wordt voelt warmer aan dan bij gebruik van andere ventilatormodi. Gebruik de juiste beschermende uitrusting om brandwonden te voorkomen. Houd een veilige afstand van brandbare voorwerpen



LET OP: Bij werking in de ventilatormodus: Uit, uitvoer van de armatuur wordt verminderd en zal niet dezelfde niveaus bereiken als bij andere ventilatormodi.

DMX-waarden
HSV

Kanaal	Functie	Waarde	Percentage/instelling
1	Hue	000 ⇔ 255	0–100%
2	Saturation	000 ⇔ 255	0–100%
3	Value	000 ⇔ 255	0–100%

15Ch

Kanaal	Functie	Waarde	Percentage/instelling
1	Dimmer	000 ⇔ 255	0–100%
2	Fijne dimmer	000 ⇔ 255	0–100%
3	Rood	000 ⇔ 255	0–100%
4	Fijn rood	000 ⇔ 255	0–100%
5	Groen	000 ⇔ 255	0–100%
6	Fijn groen	000 ⇔ 255	0–100%
7	Blauw	000 ⇔ 255	0–100%
8	Fijn blauw	000 ⇔ 255	0–100%
9	Amber	000 ⇔ 255	0–100%
10	Fijn amber	000 ⇔ 255	0–100%
11	Lime	000 ⇔ 255	0–100%
12	Fijn Lime	000 ⇔ 255	0–100%
13	Stroboscoop	000 ⇔ 010 011 ⇔ 255	Geen functie Stroboscoop, langzaam bis snel
14	Virtueel kleurenwiel	000 ⇔ 255	Raadpleeg de sectie Kleurenkaart
15	Kleurtemperatuur	000 ⇔ 255	Raadpleeg de sectie Kleurtemperatuur-kaart

13Ch

Kanaal	Functie	Waarde	Percentage/instelling
1	Dimmer	000 ⇔ 255	0–100%
2	Fijne dimmer	000 ⇔ 255	0–100%
3	Rood	000 ⇔ 255	0–100%
4	Fijn rood	000 ⇔ 255	0–100%
5	Groen	000 ⇔ 255	0–100%
6	Fijn groen	000 ⇔ 255	0–100%
7	Blauw	000 ⇔ 255	0–100%
8	Fijn blauw	000 ⇔ 255	0–100%
9	Amber	000 ⇔ 255	0–100%
10	Fijn amber	000 ⇔ 255	0–100%
11	Lime	000 ⇔ 255	0–100%
12	Fijn Lime	000 ⇔ 255	0–100%
13	Stroboscoop	000 ⇔ 010 011 ⇔ 255	Geen functie Stroboscoop, langzaam bis snel

NL

12Ch

Kanaal	Functie	Waarde	Percentage/instelling
1	Dimmer	000 ⇔ 255	0–100%
2	Rood	000 ⇔ 255	0–100%
3	Groen	000 ⇔ 255	0–100%
4	Blauw	000 ⇔ 255	0–100%
5	Amber	000 ⇔ 255	0–100%
6	Lime	000 ⇔ 255	0–100%
7	Stroboscoop	000 ⇔ 010 011 ⇔ 255	Geen functie Stroboscoop, langzaam bis snel
8	Virtueel kleurenwiel	000 ⇔ 255	Raadpleeg de sectie Kleurenkaart
9	Kleurtemperatuur	000 ⇔ 255	Raadpleeg de sectie Kleurtemperatuur-kaart
10	Programmes Auto	000 ⇔ 010 011 ⇔ 060 061 ⇔ 110 111 ⇔ 160 161 ⇔ 210 211 ⇔ 255	Geen functie Auto 1 Auto 2 Auto 3 Auto 4 Auto 5
11	Autosnelheid	000 ⇔ 255	0–100%
12	Dimmersnelheid*	000 ⇔ 051 052 ⇔ 101 102 ⇔ 152 153 ⇔ 203 204 ⇔ 255	Huidige snelheidsmodus van de dimmer Lineaire dimmer Niet-lineaire dimcurve 1 (snelst) Niet-lineaire dimcurve 2 Niet-lineaire dimcurve 3 (langzaamst)



*Houd de gewenste waarde voor de dimmersnelheid 3 seconden vast en laat het daarna los. Dit verandert de instelling van de dimmersnelheid in het menu.

10Ch

Kanaal	Functie	Waarde	Percentage/instelling
1	Dimmer	000 ⇔ 255	0–100%
2	Fijne dimmer	000 ⇔ 255	0–100%
3	Rood	000 ⇔ 255	0–100%
4	Groen	000 ⇔ 255	0–100%
5	Blauw	000 ⇔ 255	0–100%
6	Amber	000 ⇔ 255	0–100%
7	Lime	000 ⇔ 255	0–100%
8	Stroboscoop	000 ⇔ 010 011 ⇔ 255	Geen functie Stroboscoop, langzaam bis snel
9	Virtueel kleurenwiel	000 ⇔ 255	Raadpleeg de sectie Kleurenkaart
10	Kleurtemperatuur	000 ⇔ 255	Raadpleeg de sectie Kleurtemperatuur-kaart

7 Ch

Kanaal	Functie	Waarde	Percentage/instelling
1	Dimmer	000 ⇔ 255	0–100%
2	Rood	000 ⇔ 255	0–100%
3	Groen	000 ⇔ 255	0–100%
4	Blauw	000 ⇔ 255	0–100%
5	Amber	000 ⇔ 255	0–100%
6	Lime	000 ⇔ 255	0–100%
7	Stroboscoop	000 ⇔ 010 011 ⇔ 255	Geen functie Stroboscoop, langzaam bis snel

5 Ch

Kanaal	Functie	Waarde	Percentage/instelling
1	Rood	000 ⇔ 255	0–100%
2	Groen	000 ⇔ 255	0–100%
3	Blauw	000 ⇔ 255	0–100%
4	Amber	000 ⇔ 255	0–100%
5	Lime	000 ⇔ 255	0–100%

3 Ch

Kanaal	Functie	Waarde	Percentage/instelling
1	Dimmer	000 ⇔ 255	0–100%
2	Virtueel kleurenwiel	000 ⇔ 255	Raadpleeg de sectie Kleurenkaart
3	Kleurtemperatuur	000 ⇔ 255	Raadpleeg de sectie Kleurtemperatuur-kaart

1 Ch

Kanaal	Functie	Waarde	Percentage/instelling
1	Dimmer	000 ⇔ 255	0–100%, kleur wordt ingesteld via het menu

Contact Us

General Information	Technical Support
Chauvet World Headquarters	
Address: 5200 NW 108th Ave. Sunrise, FL 33351 Voice: (954) 577-4455 Fax: (954) 929-5560 Toll Free: (800) 762-1084	Voice: (844) 393-7575 Fax: (954) 756-8015 Email: chauvetcs@chauvetlighting.com Website: www.chauvetprofessional.com
Chauvet Europe Ltd	
Address: Unit 1C Brookhill Road Industrial Estate Pinxton, Nottingham, UK NG16 6NT Voice: +44 (0) 1773 511115 Fax: +44 (0) 1773 511110	Email: UKtech@chauvetlighting.eu Website: www.chauvetprofessional.eu
Chauvet Europe BVBA	
Address: Stokstraat 18 9770 Kruishoutem Belgium Voice: +32 9 388 93 97	Email: BNLtech@chauvetlighting.eu Website: www.chauvetprofessional.eu
Chauvet France	
Address: 3, Rue Ampère 91380 Chilly-Mazarin France Voice: +33 1 78 85 33 59	Email: FRtech@chauvetlighting.fr Website: www.chauvetprofessional.eu
Chauvet Germany	
Address: Bruno-Bürgel-Str. 11 28759 Bremen Germany Voice: +49 421 62 60 20	Email: DEtech@chauvetlighting.de Website: www.chauvetprofessional.eu
Chauvet Mexico	
Address: Av. de las Partidas 34 - 3B (Entrance by Calle 2) Zona Industrial Lerma Lerma, Edo. de México, CP 52000 Voice: +52 (728) 690-2010	Email: servicio@chauvet.com.mx Website: www.chauvetprofessional.mx

Visit the applicable website above to verify our contact information and instructions to request support. Outside the U.S., United Kingdom, Ireland, Benelux, France, Germany, or Mexico, contact the dealer of record.



UL 1573
CSA C22.2 No. 166
E113093



RoHS

