

ARUCMHDF Technical Specification

USB C to HDMI® Adapter
Rev. 170703

Liberty's ARUCMHDF USB C to HDMI adapter features a short flexible design for USB C ALT-DP Mode to HDMI solutions. This unit is a component of Liberty's patented Digital Keychain Security System that can function as a standalone adapter for Video presentation system. The unit has the 4-way eyelet for inclusion into a keychain design.

The ARUCMHDF unit is manufactured with the latest in IC technology to support the full bandwidth required of HDMI 2.0. The unit supports bandwidth of up to 10.2Gbps. The actual performance will depend on the circuit link that is attached to the adapter. Longer cables and couplings attenuate and this can reduce the final throughput.

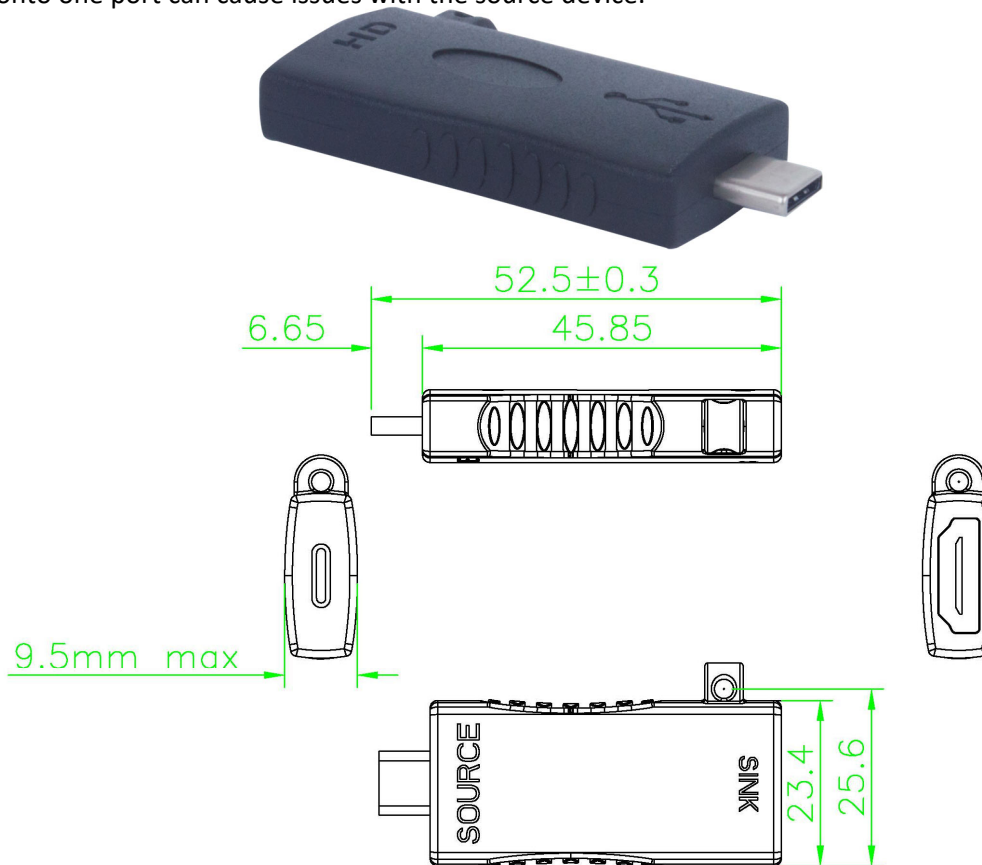
Use of Active Optical HDMI Cables (AOC) is not recommended with this unit unless they have an external power feature. The active cable requires 5VDC from pin 18 of the HDMI port. This unit uses ALT-DP Mode and has active electrical conversion. Introducing two power draws onto one port can cause issues with the source device.

Key Features:

- Small footprint
- 4K30 4:4:4 Bandwidth
- ALT-DP Mode
- Component for Digital Keychain

Key Applications:

- Adapting USB C to HDMI
- Corporate Boardrooms
- Education and Conference Center
- Presenting and Collaboration



Technical Specifications	
I/O Connections	
USB	Male USB C Connector
HDMI	Female HDMI Type A connector
HDMI Supported Video, Audio and Ethernet	
HDMI Maximum Video Compatibility	4Kx2K @ 30Hz
Video Compliance	HDMI 2.0, HDCP 1.4 and HDCP 2.2
Audio Compliance	8-ch LPCM, compressed audio and HBR
CEC Support	Yes
Maximum Bandwidth	HDMI: 10.2 Gbps
Video Mode	Alternate Mode DisplayPort (ALT-DP)
Chipset Information	
Type	Parade® PS176
Current Firmware	7.55
Construction	
Molded Hood Constructions	RF Can with PVC over mold. Over mold is black
Molded Hood Dimensions	L: 45.85mm x W: 23.4mm x H: 9.5mm. Connector shroud is 6.65mm
Environmental Requirements	
Operating Temperature	0° to +60° C (+32° to +140° F)
Operating Humidity	20% to 85%, Non-condensing
Storage Temperature	-20° to +80° C (0° to +176° F)
Power and Regulatory	
Regulatory	EU RoHS-2 2011/65/EU Compliant

Liberty Wire & Cable specifications are subject to change without notice. Contact an account representative for current product specifications. Liberty Wire & Cable continuously strives to ensure product specifications are accurate and complete. All physical specifications are nominal.

Part Matrix	
Item Number	Description
ARUCMHDF	Adapter, USB C to HDMI

National Electric Code® is a registered trademark of the National Fire Protection Agency (NFPA)

NEC® is a registered trademark of the National Fire Protection Agency (NFPA)

HDMI® is a registered trademark of HDMI, LLC

High Definition Multimedia Interface® is a registered trademark of HDMI, LLC

Displayport® is a registered trademark of VESA