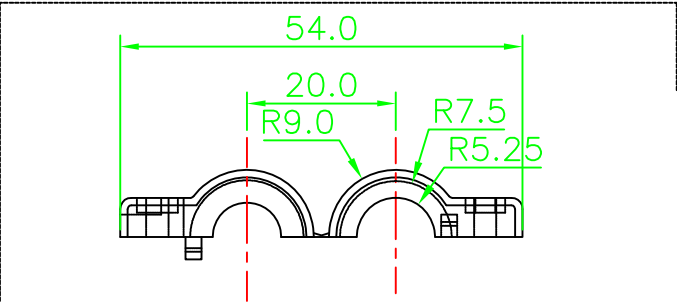
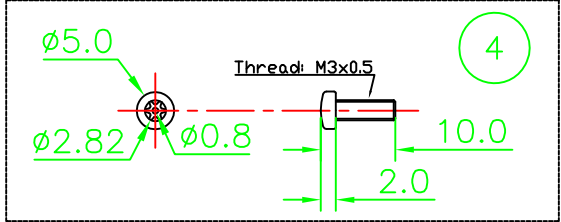
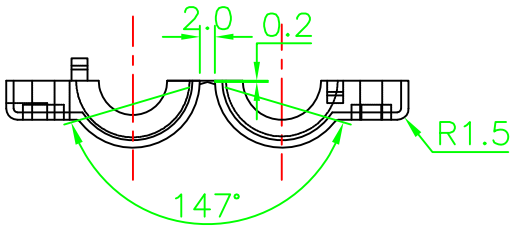
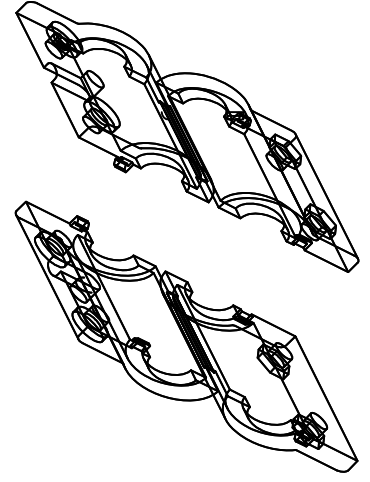
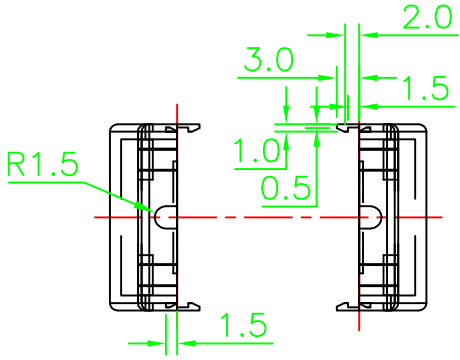
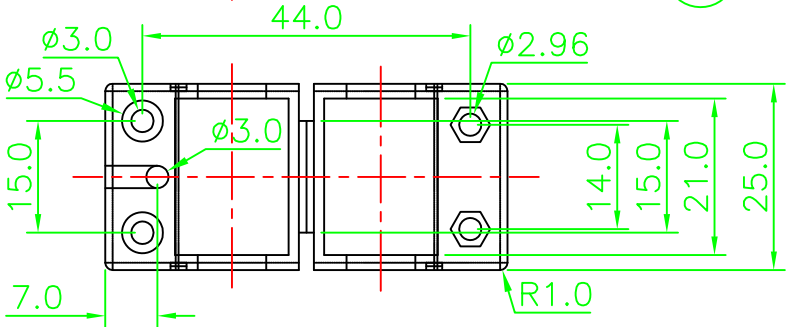


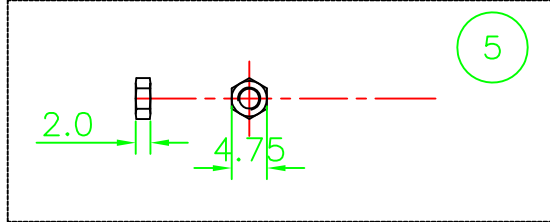
REV	DESCRIPTION	DATE
0	ISSUE	11/03/11



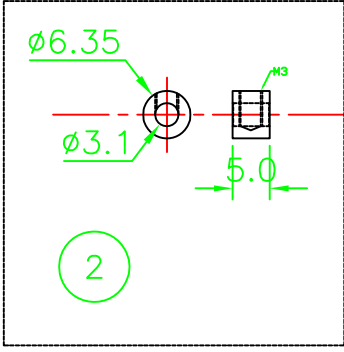
1



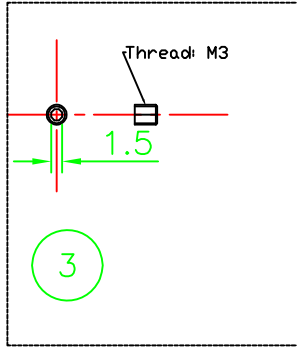
4



5



2



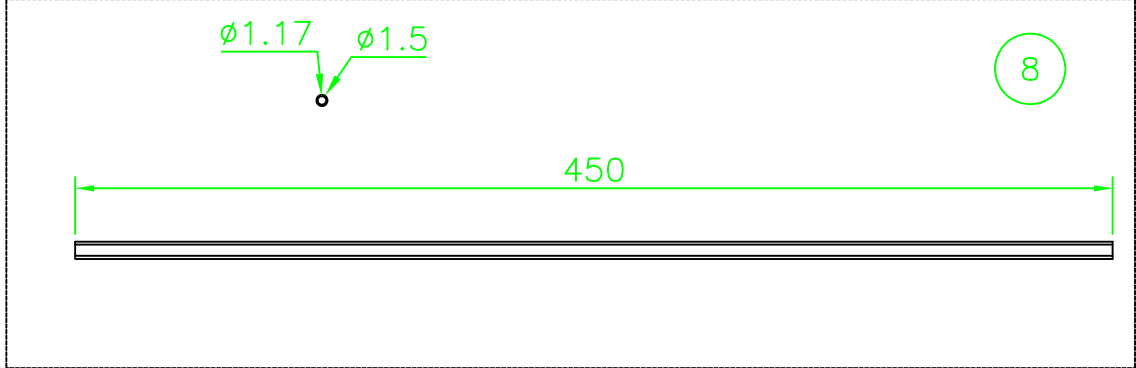
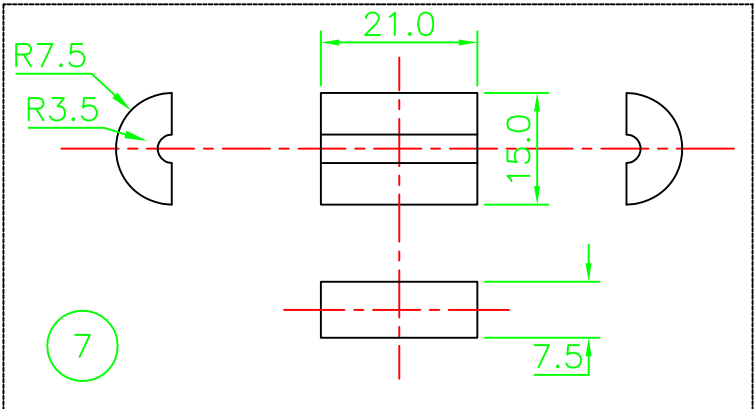
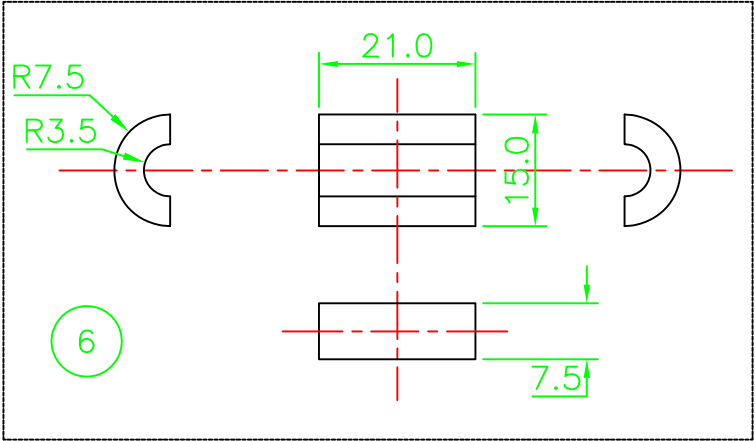
3

LIBERTY AV SOLUTIONS
 11675 RIDGELINE DRIVE
 COLORADO SPRINGS, CO 80921

WWW.LIBAV.COM
 (800) 530-8998

UNIT:mm	TITLE:	DR.
None	Assembly Specification CBL, ASY, ADPT, DIG	RP
UNLESS OTHERWISE SPECIFIED TOLERANCES: x ±.015 xx ±.010 xxx ±.005 ANGLE ± 1°	PART NUMBER: DL-CL	CH. RP
SHEET 1/2	DWG. #: LWC-AAA-00492	AP. RP

REV	DESCRIPTION	DATE
0	ISSUE	11/03/11



Manufacturing Bill of Materials

8	SECURITY CABLE	1	EA	STEEL w/PE SHEATH
7	INNER CLAMP, S	1	EA	FOAM RUBBER
6	INNER CLAMP, M	1	EA	FOAM RUBBER
5	NUT, M3	1	EA	MILD STEEL, NICKEL FINISH
4	SCREW, TORX T10P	1	EA	STEEL, NICKEL FINISH
3	SCREW, M3 1.5 HEX	1	EA	STEEL, BLACK FINISH
2	RING, RETAINING	1	EA	BRASS, NICKEL PLATED
1	CLAMP	1	EA	PP, BLACK
Item	DESCRIPTION	QTY	UOM	MATERIAL

LIBERTY AV SOLUTIONS		WWW.LIBAV.COM	
11675 RIDGELINE DRIVE		(800) 530-8998	
COLORADO SPRINGS, CO 80921			
UNIT:mm	None	TITLE: Assembly Specification CBL, ASY, ADPT, DIG	
UNLESS OTHERWISE SPECIFIED TOLERANCES: x ± 0.15 xx ± 0.10 xxx ± 0.005 ANGLE $\pm 1^\circ$		PART NUMBER: DL-CL	DR. RP
SHEET 2/2		DWG. #: LWC-AAA-00492	CH. RP
		AP. RP	