

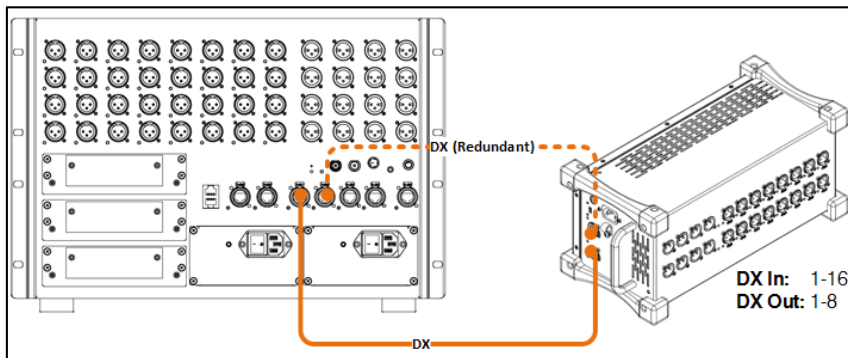
# ALLEN & HEATH

## DX168 AudioRack

The **DX168** is a portable, rugged audio interface box for the Allen & Heath dLive digital mixing system. It provides 16 remote controlled mic/line preamps and 8 XLR line outputs. It connects to the mixer over a single Cat5e cable using the Allen & Heath DX protocol. A second DX168 can be connected to the DX168 when running in **Cascade** mode to expand the number of system inputs and outputs. Alternatively a redundant connection can be made to compatible hardware when operating in **Redundant** mode.

The DX168 can be operated horizontally with the connectors facing upward or sideward, or vertically to save space on stage. It can also be mounted in a 19" equipment rack or case using the optional **AB168-RK10** kit. A hard-wearing padded polyester carry case is also available, A&H part number **AP9932**.

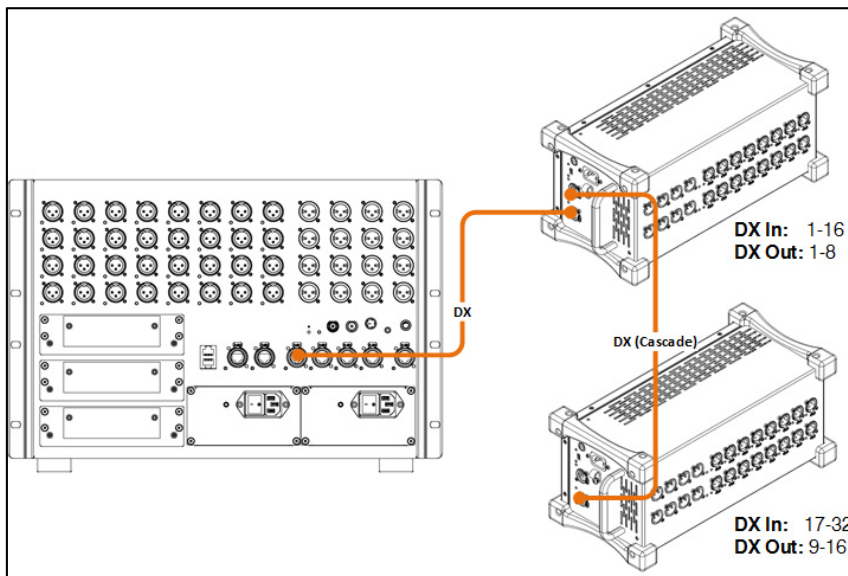
The diagrams below show two example applications:



**DX168  
Redundant Mode**  
Requires firmware 1.50 or higher

16 input and 8 outputs on stage or rack.

An optional redundant cable link can be made to compatible hardware (i.e. dLive S Class Surface or MixRack)



**DX168 + DX168  
Cascade Mode**  
Requires firmware 1.60 or higher

32 inputs and 16 outputs on stage or rack.

Allen & Heath can provide the following recommended cables for use with the DX168 – contact your A&H dealer for more information:

### CAT5e

<b>AH9650-A</b>	100m drum of Etherflex cable with Neutrik EtherCon locking connectors
<b>AH7000-A</b>	80m drum of EtherSound approved, Etherflex cable with Neutrik EtherCon locking connectors
<b>AH9981-A</b>	50m drum of Etherflex cable with Neutrik EtherCon locking connectors
<b>AH9651-A</b>	20m Etherflex cable with Neutrik EtherCon locking connectors
<b>AH9997-A</b>	2m cable with Neutrik EtherCon locking connectors

### CAT6

<b>AH10887-A</b>	100m drum of CAT6 cable with Neutrik EtherCon locking connectors
<b>AH10886-A</b>	80m drum of CAT6 cable with Neutrik EtherCon locking connectors
<b>AH10885-A</b>	50m drum of CAT6 cable with Neutrik EtherCon locking connectors
<b>AH10884-A</b>	20m drum of CAT6 cable with Neutrik EtherCon locking connectors

# DX168 Panel Layout



① **Input sockets** 16 balanced XLR mic/line inputs with +48V Phantom Power indicator.

The preamps are built into the DX168 and their Gain, Pad and +48V phantom power are controlled from the dLive via the DX link. The outputs of the analogue preamps are converted to digital format and transported via DX to be processed and mixed in the dLive system.

The sockets are numbered 1-16. On the dLive system, any input can be patched to any channel at the console.

The PP indicator LED detects voltage at the socket whether supplied by the DX168 or received from an external source.

② **Output sockets** 8 balanced XLR outputs operating at nominal +4dBu line level. Any signal can be patched to any socket using the dLive I/O screen.

③ **DX A port** CAT5e cable link to connect to the dLive Surface or MixRack. This carries the inputs and outputs to and from the DX168 as well as preamp control and system status.

- We recommend using EtherCon locking connectors to prevent damage to cables or ports

④ **DX B port** CAT5e cable link with 2 selectable modes via switch:

- **Redundant:** For 2 cable redundant connection to compatible hardware i.e. dLive S Class Surface or MixRack
- **Cascade:** To connect a second DX168 rack to add further mic/line inputs and XLR line outputs to the system.

⑤ **Mains power input** IEC connector and fuse for the built-in universal voltage power supply unit. This accepts voltages from 100 to 240V AC 50/60Hz. Check that you have received the correct mains lead for your territory.

Secure the cable in place using the plastic P-clip. Use a T20 Torx screwdriver to refit the screw.

⑥ **Vents** Ensure good ventilation at the sides and back of the rack. Avoid obstruction of vents while operating. Avoid dirt or liquid ingress.



## Note

- Read the Safety Instructions Sheet included with the product and the information printed on the panel before operating.
- A limited one year manufacturer's warranty applies to this product, the conditions of which can be found at: [www.allen-heath.com/legal](http://www.allen-heath.com/legal)
- By using this Allen & Heath product and the software within it you agree to be bound by the terms of the relevant End User Licence Agreement (EULA), a copy of which can be found at: [www.allen-heath.com/legal](http://www.allen-heath.com/legal)
- Register your DX168 with Allen & Heath online at: <http://www.allen-heath.com/support/register-product/>