

Nu:Tekt

NTS-1 digital kit

PROGRAMMABLE SYNTHESIZER KIT

Owner's Manual
Manuel d'utilisation
Bedienungsanleitung
Manual del usuario
取扱説明書

EFGSJ 2

KORG INC. 4015-2 Yanokuchi, Inagi-City, Tokyo 206-0812 JAPAN
© 2019 KORG INC. www.korg.com Published 05/2020 Printed in Vietnam

Owner's manual (En)..... p. 2, 3, 5
Manuel d'utilisation (Fr)..... p. 2, 5, 9
Bedienungsanleitung (De)..... S. 2, 5, 11
Manual del usuario (Es)..... p. 2, 5, 13
取扱説明書 (Ja)..... p. 2, 5, 15

The video assembly tutorial for the NTS-1 digital kit is available here:

Le tutoriel vidéo de montage du kit de synthé numérique NTS-1 est disponible ici:

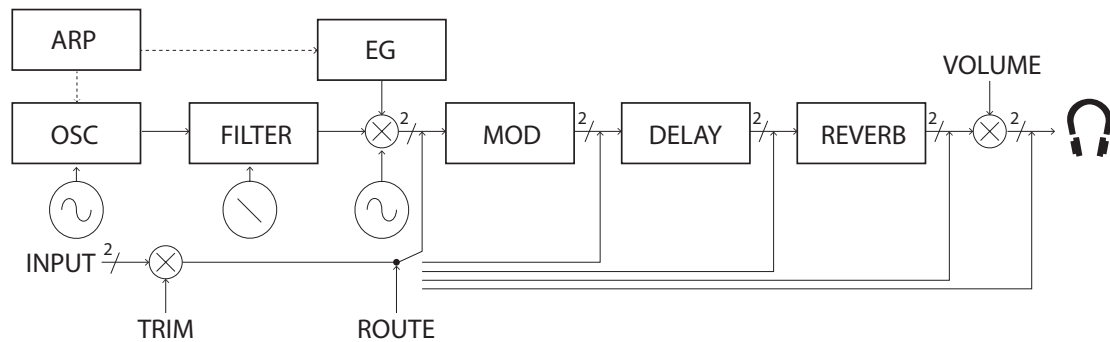
Das Video-Tutorial zum Zusammenbau des NTS-1 Digital Kits finden Sie hier:

El vídeo explicativo sobre el montaje del NTS-1 digital kit está disponible aquí:

QRコードを読み取ると、NTS-1 digital kitの組み立て動画のページへアクセスできます。



For more information:
https://www.korg.com/nts_1/



保証規定(必ずお読みください)

本保証書は、保証期間中に本製品を保証するもので、付属品類(ヘッドホンなど)は保証の対象になりません。保証期間内に本製品が故障した場合は、保証規定によって無償修理いたします。

1. 本保証書の有効期間はご購入日より1か年です。
2. 次の修理等は保証期間内であっても有償となります。
 - ・消耗部品(電池、スピーカー、真空管、フェーダーなど)の交換。 ・お取扱い方法が不適当のために生じた故障。 ・天災(火災、浸水等)によって生じた故障。 ・故障の原因が本製品以外の他の機器にある場合。 ・不当な改造、調整、部品交換などにより生じた故障または損傷。 ・保証書にお買い上げ日、販売店名が未記入の場合、または字句が書き替えられている場合。 ・本保証書の提示がない場合。
3. 本保証書は日本国内においてのみ有効です。 This warranty is valid only in Japan.
4. お客様が保証期間中に移転された場合でも、保証は引き続きお使いいただけます。詳しくは、お客様相談窓口までお問い合わせください。
5. 修理・運送費用が製品の価格より高くなる場合がありますので、あらかじめお客様相談窓口へご相談ください。発送にかかる費用は、お客様の負担とさせていただきます。
6. 修理中の代替品、商品の貸し出し等は、いかなる場合においても一切行っておりません。

本製品の故障、または使用上生じたお客様の直接、間接の損害につきましては、弊社は一切の責任を負いかねますのでご了承ください。

本保証書は、保証規定により無償修理をお約束するためのもので、これよりお客様の法律上の権利を制限するものではありません。

■お願い

1. 保証書に販売年月日等の記入がない場合は無効となります。記入できないときは、お買い上げ年月日を証明できる領収書等と一緒に保管してください。
2. 保証書は再発行致しませんので、紛失しないように大切に保管してください。

Nu:Tekt: NTS-1 digital kit 保証書


本保証書は、保証規定により無償修理をお約束するものです。

お買い上げ日 年 月 日

販売店名

アフターサービス

修理または商品のお取り扱いについてのご質問、ご相談は、お客様相談窓口へお問い合わせください。

お客様相談窓口  **0570-666-569**

PHS等一部の電話ではご利用できません。固定電話または携帯電話からおかけください。

受付時間：月曜～金曜 10:00～17:00 (祝祭日、窓口休業日を除く)

サービス・センター：〒168-0073 東京都杉並区下高井戸1-15-10

IMPORTANT NOTICE TO CONSUMERS

This product has been manufactured according to strict specifications and voltage requirements that are applicable in the country in which it is intended that this product should be used. If you have purchased this product via the internet, through mail order, and/or via a telephone sale, you must verify that this product is intended to be used in the country in which you reside. WARNING: Use of this product in any country other than that for which it is intended could be dangerous and could invalidate the manufacturer's or distributor's warranty. Please also retain your receipt as proof of purchase otherwise your product may be disqualified from the manufacturer's or distributor's warranty.

Notice regarding disposal (EU only)

When this "crossed-out wheeled bin" symbol is displayed on the product, owner's manual, battery, or battery package, it signifies that when you wish to dispose of this product, manual, package or battery you must do so in an approved manner. Do not discard this product, manual, package or battery along with ordinary household waste. Disposing in the correct manner will prevent harm to human health and potential damage to the environment. Since the correct method of disposal will depend on the applicable laws and regulations in your locality, please contact your local administrative body for details. If the battery contains heavy metals in excess of the regulated amount, a chemical symbol is displayed below the "crossed-out wheeled bin" symbol on the battery or battery package.

En Precautions During Assembly

- Before assembly, discharge the static electricity from your body by touching the ground wire of a grounded device or similar methods. Failure to do so will cause a malfunction.
- Carefully handle the circuit boards to avoid injuries that could be inadvertently caused by protruding parts. In addition, be sure to wash your hands with soap when finished with the assembly procedure.
- Be sure to align screws properly before tightening them. In addition, be careful not to tighten screws with excessive force or over tighten them, otherwise the parts may be damaged.
- Provide a sufficiently large work space to complete the assembly procedure, and prepare work mats so parts will not be scratched.
- Carefully handle the included screws so they will not be lost. In addition, do not use screws other than those included for assembly, and do not use the included screws for any other purpose.

Checking package contents

Before beginning the assembly process, make sure that all of the parts are available. Extra screws are included. Use them as spares. If any part is missing or damaged, contact your local Korg distributor.

Fr Prudence durant le montage

- Avant le montage, déchargez l'électricité statique de votre corps en touchant le fil de masse d'un appareil relié à la terre ou via d'autres méthodes similaires. Le non-respect de cette consigne entraînera un dysfonctionnement.
- Maniez les cartes des circuits avec soin pour éviter les blessures qui pourraient être causées par accident par des pièces protubérantes. De plus, veillez à laver vos mains avec du savon lorsque vous avez terminé la procédure d'assemblage.
- Veillez à aligner les vis correctement avant de les serrer. De plus, faites attention à ne pas serrer les vis en exerçant une force excessive et à ne pas trop les serrer, car les pièces pourraient être endommagées.
- Organisez un espace de travail suffisant pour effectuer la procédure d'assemblage, et préparez des tapis de travail pour ne pas rayer les pièces.
- Maniez les vis fournis avec soin afin de ne pas les perdre. De plus, n'utilisez pas d'autres vis que ceux fournis pour l'assemblage, et n'utilisez pas les vis fournis à d'autres fins.

Vérifier le contenu de l'emballage

Avant de démarrer le processus d'assemblage, vérifiez que toutes les pièces sont présentes. Des vis supplémentaires sont fournis. Utilisez-les en cas de besoin de remplacement. Si des pièces manquent ou sont endommagées, contactez votre distributeur Korg local.

De Vorsicht beim Zusammenbau

- Leiten Sie vor der Montage statische Elektrizität von Ihrem Körper ab, indem Sie den Erdungsdraht eines geerdeten Elektrogeräts berühren, oder durch ein ähnliches Verfahren. Andernfalls kann eine Fehlfunktion eintreten.
- Gehen Sie mit den Platinen sorgfältig um, um Verletzungen durch hervorstehende Teile zu vermeiden. Waschen Sie Ihre Hände nach Beendigung der Montage mit Seife.
- Stellen Sie sicher, dass die Schrauben vor dem Festziehen korrekt ausgerichtet sind. Achten Sie außerdem darauf, die Sie die Schrauben weder mit übermäßiger Kraft festziehen noch überdrehen, da andernfalls Teile beschädigt werden können.
- Sorgen Sie für die Montage für eine ausreichend große Arbeitsfläche und verwenden Sie Arbeitsmatten, um Kratzer an den Teilen zu vermeiden.
- Achten Sie darauf, dass keine der mitgelieferten Schrauben verloren gehen. Verwenden Sie zur Montage ausschließlich die mitgelieferten Schrauben. Verwenden Sie die mitgelieferten Schrauben nicht für andere Zwecke.

Überprüfung des Packungsinhalts

Stellen Sie sicher, dass alle Teile vorhanden sind, bevor Sie mit der Montage beginnen. Zusätzliche Schrauben der Packung bei. Sie dienen als Ersatz. Wenden Sie sich bei fehlenden oder beschädigten Teilen an Ihren Korg-Händler vor Ort.

Es Precaución durante el ensamblaje

- Antes del montaje, descargue la electricidad estática de su cuerpo tocando el cable de tierra de un dispositivo conectado a tierra o método similar. De no hacerlo, se producirá un fallo de funcionamiento.
- Maneje con cuidado las tarjetas de circuitos para evitar las lesiones que podrían ser provocadas involuntariamente por partes salientes. Además, asegúrese de lavarse las manos con jabón cuando haya terminado con el procedimiento de montaje.
- Asegúrese de alinear adecuadamente los tornillos antes de apretarlos. Además, tenga cuidado de no apretar los tornillos con fuerza excesiva o apretarlos demasiado, ya que de lo contrario podrían dañarse las piezas.
- Disponga un espacio de trabajo suficientemente grande para completar el procedimiento de montaje, y prepare esterillas de trabajo para que las piezas no se rayen.
- Maneje con cuidado los tornillos incluidos para que no se pierdan. Además, no utilice tornillos distintos a los incluidos para el montaje, y no utilice los tornillos incluidos para ningún otro fin.

Comprobación del contenido del paquete

Antes de comenzar el proceso de montaje, asegúrese de que todas las piezas están disponibles. Se incluyen tornillos de sobra. Utilícelos como repuestos. Si alguna pieza falta o está dañada, póngase en contacto con su proveedor local Korg.

Ja 組み立て時の注意

- あらかじめ、アースがとれている機器のアース線に触れるなどして、体の静電気を逃がしておいてください。故障の原因になります。
- 基板を取り扱うときに、部品の突起などでケガをしないように注意してください。また作業後は、必ず石けんで手を洗ってください。
- 必ず垂直にネジが入るように締め付けてください。また、無理に締め付けたり強く締めすぎたりすると、部品が破損する恐れがありますので注意してください。
- 余裕をもって作業を行うために広めの作業スペースを確保し、キズが付かないように作業用マットなどを用意してください。
- ネジを紛失しないように取り扱いに注意してください。また、付属のネジ以外を使用して組み立てたり、付属のネジを他の目的に使用しないでください。

パーツの確認

組み立てる前にすべてのパーツが揃っていることを確認してください。ネジは多めに入っています。予備としてお使いください。もし不足しているパーツや破損しているパーツがありましたら、お客様相談窓口までお問い合わせください。

仕様

鍵盤：リボン鍵盤、音源システム：1オシレーター、1マルチ・モード・フィルター、1EG、3LFO、エフェクト：MOD (CHORUS、ENSEMBLE、PHASER、FLANGER)、REVERB、DELAY、入出力端子：ヘッドホン端子 (3.5mm ステレオ・ミニ・フォン・ジャック)、オーディオ・イン端子 (3.5mm ステレオ・ミニ・フォン・ジャック)、SYNC IN端子 (3.5mm TRSミニ・フォン・ジャック、最大入力レベル20V)、SYNC OUT端子 (3.5mm TRSミニ・フォン・ジャック、出力レベル5V)、MIDI IN端子 (3.5mm TRSミニ・フォン・ジャック)、USB端子 (micro B type)、電源：USBバス電源方式、消費電流：500 mA以下、外形寸法 (W×D×H)：129 mm×78 mm×39 mm、質量：124 g、付属品：USBケーブル、取扱説明書

* 仕様および外観は、改良のため予告なく変更することがあります。

En Precautions

Location

Using the unit in the following locations can result in a malfunction.

- In direct sunlight
- Locations of extreme temperature or humidity
- Excessively dusty or dirty locations
- Locations of excessive vibration
- Close to magnetic fields

Power supply

Please connect the designated AC adapter to an AC outlet of the correct voltage. Do not connect it to an AC outlet of voltage other than that for which your unit is intended.

Handling

To avoid breakage, do not apply excessive force to the switches or controls. Do not rub your eyes or lick your hands after you have touched the circuit boards. There may be protruding parts left on the circuit boards from the assembly process. Be careful not to injure yourself on these parts when operating this unit.

Care

If the exterior becomes dirty, wipe it with a clean, dry cloth. Do not use liquid cleaners such as benzene or thinner, or cleaning compounds or flammable polishes.

Keep this manual

After reading this manual, please keep it for later reference.

Keeping foreign matter out of your equipment

Never set any container with liquid in it near this equipment. If liquid gets into the equipment, it could cause a breakdown, fire, or electrical shock. Be careful not to let metal objects get into the equipment. If something does slip into the equipment, unplug the AC adapter from the wall outlet. Then contact your nearest Korg dealer or the store where the equipment was purchased.

THE FCC REGULATION WARNING (for USA)

NOTE: This equipment has been tested and found to comply with the limits for a Class B digital device, pursuant to Part 15 of the FCC Rules. These limits are designed to provide reasonable protection against harmful interference in a residential installation. This equipment generates, uses, and can radiate radio frequency energy and, if not installed and used in accordance with the instructions, may cause harmful interference to radio communications. However, there is no guarantee that interference will not occur in a particular installation. If this equipment does cause harmful interference to radio or television reception, which can be determined by turning the equipment off and on, the user is encouraged to try to correct the interference by one or more of the following measures:

- Reorient or relocate the receiving antenna.
 - Increase the separation between the equipment and receiver.
 - Connect the equipment into an outlet on a circuit different from that to which the receiver is connected.
 - Consult the dealer or an experienced radio/TV technician for help.
- If items such as cables are included with this equipment, you must use those included items. Unauthorized changes or modification to this system can void the user's authority to operate this equipment.

SUPPLIER'S DECLARATION OF CONFORMITY (for USA)

Responsible Party: KORG USA INC.
Address: 316 SOUTH SERVICE ROAD, MELVILLE, NY
Telephone: 1-631-390-6500
Equipment Type: PROGRAMMABLE SYNTHESIZER KIT
Model: NTS-1 DIGITAL
This device complies with Part 15 of FCC Rules. Operation is subject to the following two conditions:
(1) This device may not cause harmful interference, and (2) this device must accept any interference received, including interference that may cause undesired operation.

* All product names and company names are the trademarks or registered trademarks of their respective owners.

Specifications

Keyboard: Ribbon keyboard, **Sound generator system:** 1 VCO, 1 Multimode filter, 1 EG, 3 LFO, **Effects:** MOD (CHORUS, ENSEMBLE, PHASER, FLANGER), REVERB, DELAY, **Input/output jacks:** Headphone jack (3.5 mm stereo mini-phone jack), AUDIO IN jack (3.5 mm stereo mini-phone jack), SYNC IN jack (3.5 mm TRS mini-phone jack, 20V maximum input level), SYNC OUT jack (3.5 mm TRS mini-phone jack, 5V output level), MIDI IN jack (3.5 mm TRS mini-phone jack), USB port (micro B type),

Power supply: USB bus power mode, **Current consumption:** 500 mA or less, **Dimensions (W x D x H):** 129 mm x 78 mm x 39 mm / 5.08" x 3.07" x 1.54", **Weight:** 124 g / 4.37 oz, **Included items:** USB cable, Owner's manual

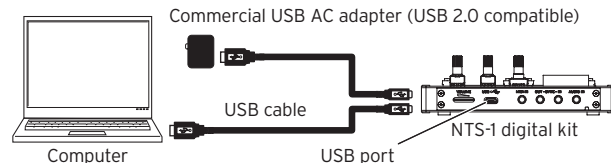
* Specifications and appearance are subject to change without notice for improvement.

Introduction

Thank you for purchasing the Nu:Tekt programmable synthesizer kit NTS-1 digital kit.

The NTS-1 digital kit is a compact DIY synthesizer kit that can be assembled without any soldering. It features a digital oscillator inspired by the prologue and minilogue xd; an analog modeled multimode filter; an analog modeled envelope generator; as well as modulation, delay and reverb effects. It is compatible with the logue SDK, making it possible to load your own custom oscillators and effects, or those created by third parties.

Connections and power



Use the included USB cable to connect the USB port of the NTS-1 digital kit to computer or a commercial AC adapter conforming to USB standards (DC5V 550 mA or higher). Power will turn on, and the device will enter play mode.

Use only the USB cable provided.

- ⚠ Be sure to use an AC adapter that conforms to USB2.0 standards. However, there may be cases where, depending on the USB AC adapter used, it will not function normally even when compatible with the standards.

Turning off the power

Disconnect the USB cable from the NTS-1 digital kit. Once disconnected all LEDs will go dark (unlit).

SLEEP MODE

After 15 minutes of inactivity the device will enter sleep mode. Press the OSC button to wake up the device and return to normal operation.

Parts and their functions

Display: When operating knobs and buttons, the parameter name or value will be displayed.

Ribbon keyboard: Press with your fingers to play sounds.

(Headphone) jack: Connecting your headphones to this 3.5mm stereo mini jack will mute the NTS-1 digital kit internal speaker and allow you to create music in private.

1. Pressing the MOD, DELAY and REVERB buttons will select the corresponding effect.
2. The TYPE knob, and A, B knobs can then be used to set parameters for the selected effect.

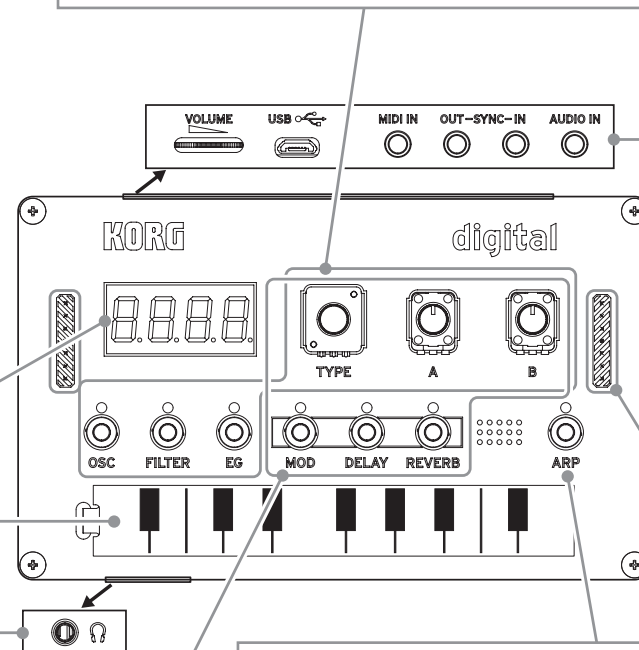
FX buttons	TYPE knob	A knob	B knob	FX buttons + B knob
MOD	OFF (OFF), Chorus (CHORUS), Ensemble (ENSEMBLE), Phaser (PHASER), Flanger (FLANGER) Selects the modulation effect.	Time (TIME) Sets the modulation speed.		
DELAY	OFF (OFF), Stereo (STEREO), Mono (MONO), Ping Pong (PING PONG), High Pass (HIGHPASS), Tape (TAPE) Selects the delay effect.	Time (TIME) Sets the delay time.	Depth (DEPTH) Sets the intensity of the effect.	Dry/wet mix: d100-d001, -, w001-w100 Sets the dry/wet balance of the effect.
REVERB	OFF (OFF), Hall (HALL), Plate (PLATE), Space (SPACE), Riser (RISER), Submarine (SUBMARINE) Selects the reverb effect.	Time (TIME) Sets the reverb time.		

For details about User effects see the Nu:Tekt web site (www.nutekt.org).

1. Pressing the OSC, FILTER and EG buttons will select the corresponding element.
2. The TYPE knob, and A, B knobs can then be used to set parameters for the selected element.

MODE buttons	TYPE knob	A knob	B knob	MODE buttons +	
				A knob	B knob
OSC	Sawtooth (SAW), Triangle (TRI), Square (SQR), VPM (VPM), User OSC* Selects the waveform. <When selecting User OSC*> OSC+TYPE selects edit parameters (varies per oscillator).	Shape (SHAPE) Amount of wave-shaping applied. [Waveform icons]	Alternate (ALTE) Alternate parameter (varies per oscillator). <When selecting User OSC*> Sets the value of the selected edit parameter.	LFO rate: F0.0-F30.0 Sets the LFO frequency.	Pitch/shape LFO depth: P100-P001, -, S001-S100 Sets the amount of pitch or shape modulation.
FILTER	Low pass-2 pole (LP2), Low pass-4 pole (LP4), Band pass-2 pole (BP2), Band pass-4 pole (BP4), High pass-2 pole (HP2), High pass-4 pole (HP4), OFF (OFF) Selects the filter type.	Cutoff (CUT) Sets the cutoff frequency, altering the brightness of the sound.	Resonance (RESO) Adds emphasis to the overtones occurring at the cutoff frequency.	Sweep rate: F0.0-F30.0 Sets the cutoff sweep frequency.	Cutoff sweep depth: u100-u001, -, d000-d100 Sets the direction (up/down) and depth of the cutoff sweep.
EG	ADSR (ADSR), AHR (AHR), AR (AR), AR loop (AR LOOP), Open (OPEN) Selects the amplitude EG type.	Attack (ATK) Sets the time required for the EG to reach it's maximum level once a note is played.	Release (REL) Sets the time required for the EG to reach 0 once a note has ended.	Tremolo rate: F0.0-F60.0 Sets the tremolo frequency.	Tremolo depth: d000-d100 Sets the tremolo depth.

* User OSC: Comes preloaded with "12345". For details about User OSC see the Nu:Tekt web site (www.nutekt.org).



VOLUME: Sets the volume of the signal output to the speaker and (Headphone) jack.

AUDIO IN jack: Stereo audio input. The gain trim and mix route can be set using global parameters.

IN-SYNC-OUT (SYNC IN, SYNC OUT) jacks: These jacks allow you to synchronize your NTS-1 digital kit to a Korg volca, monotron or other equipment—including an analog sequencer or a DAW. The polarity of the SYNC jacks can be set using the global parameters.

SYNC OUT jack: A 5 V pulse of 15 ms is sent at the beginning of each step.

SYNC IN jack: If this jack is connected, the internal step-clock will be ignored, and the NTS-1 digital kit ARP will advance according to the pulses received here.

MIDI IN jack: By connecting a MIDI cable to this input, the NTS-1 digital kit can be played and controlled by the MIDI output of an external device (See the Nu:Tekt web site). The MIDI implementation chart can be downloaded from the Nu:Tekt website.

USB port: Use this USB port to connect the NTS-1 digital kit to your computer, or to a commercial USB power source.

- ⚠ Be careful not to touch the metal connections, as it can cause short circuits and failures.

Global Parameters

1. While holding down the REVERB button, turn on the NTS-1 digital kit.
2. Select a global parameter with the TYPE knob and change its value with the B knob. The current value is displayed on the right side of the display. If you decide to cancel the settings, press the REVERB button.
3. When you have finished specifying the settings, press the ARP button. The settings will be saved, and the NTS-1 digital kit will be restarted.

TYPE knob	B knob
Input route (INR)	0*: before mod, 1: before delay, 2: before reverb, 3: before master, 4: after master
Input trim (TRN)	0: 0dB, 1: -1dB, 2: -2dB, 3: -3dB, 4: -4dB, 5: -5dB, 6*: -6dB, 7: -7dB, 8: -8dB, 9: -9dB, A: -10dB, B: -12dB, C: -16dB, D: -24dB, E: -48dB, F: -64dB
Sync out polarity (SYO)	0*: active high, 1: active low
Sync in polarity (SYI)	0*: active high, 1: active low
Tempo range (TRP)	0*: narrow, 1: wide
MIDI clock source (CLF)	0: internal, 1*: auto
MIDI RX/short message (SHR)	0: off, 1*: on
MIDI route (RRT)	0*: USB+MIDI, 1: USB
MIDI channel (CHR)	0*-F: 1-16
Sync in/out unit (SEP)	0*: 2step, 1: every step
EG Legato (LEG)	0: off, 1*: on
Sleep mode (SLP)	0: off, 1*: on
Touch sensor calibration (CL)	See the Nu:Tekt web site

*: Factory default setting

A single press on the ARP button will toggle the arpeggiator on (LED lit) and off (LED unlit). When enabled, the arpeggiator will run while the ribbon keyboard is pressed. A long press on the ARP button will latch the arpeggiator. To unlatch the arpeggiator, long press the ARP button again. While holding the ARP button, the TYPE, A and B knobs can be used to set arpeggiator parameters.

ARP buttons +	Arpeggiator settings
OSC button	Octave (OCT)
FILTER button	Major Triad (MAJ)
EG button	Major Suspended (SUS)
MOD button	Major Augmented (MAUG)
DELAY button	Minor Triad (MIN)
REVERB button	Minor Diminished (MIN)
TYPE knob	Up (UP), Down (DOWN), Up-Down (UD), Down-Up (DU), Converge (CONV), Diverge (DIV), Conv-Div (CD), Div-Conv (DC), Random (RAND), Stochastic (STOC) Selects the arpeggiator pattern.
A knob	ARP pattern length: 1-24
B knob	If synced externally, sets the step duration: 16th-64th. Otherwise, sets the tempo: 56.0-240.0

D Rear panel
Panneau arrière
Rückseite
Panel posterior
リア・パネル

C Front panel
Panneau avant
Oberseite
Panel frontal
フロント・パネル

B Bottom panel
Panneau inférieur
Bodenplatte
Panel inferior
底パネル

A Upper PCB
Carte des circuits supérieure
Obere Platine
Circuito impreso de arriba
上基板

H Keyboard sheet
Clavier-vignette
Tastaturstreifen
Lámina del teclado
鍵盤シート

F Side panels: 2
Panneau latéral
Seitenwand
Panel lateral
サイド・パネル

G Corner blocks: 4
Coins d'assemblage
Eckblöcke
Esquinas
コーナー・ブロック

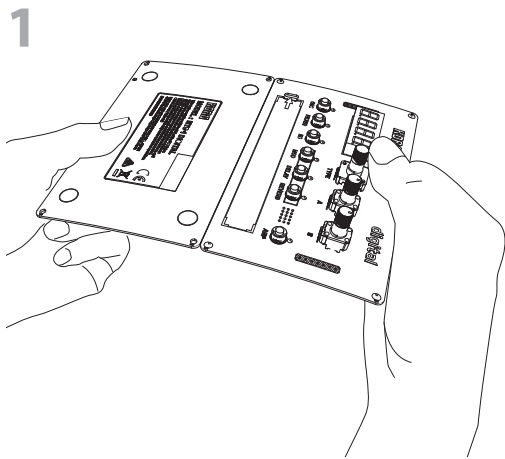
E Lower PCB
Carte des circuits inférieure
Untere Platine
Circuito impreso de abajo
下基板

I Rubber feet
Pieds en caoutchouc
Gummifuß
Patas de caucho
ゴム足

SC1 (Screws 2.5 x 5 mm): 8

SC2 (Screws 2.0 x 8 mm): 16

Phillips (+) screwdriver
Tournevis Phillips (+)
Kreuzschlitzschraubenzieher (+)
Destornillador phillips (+)
プラス・ドライバー



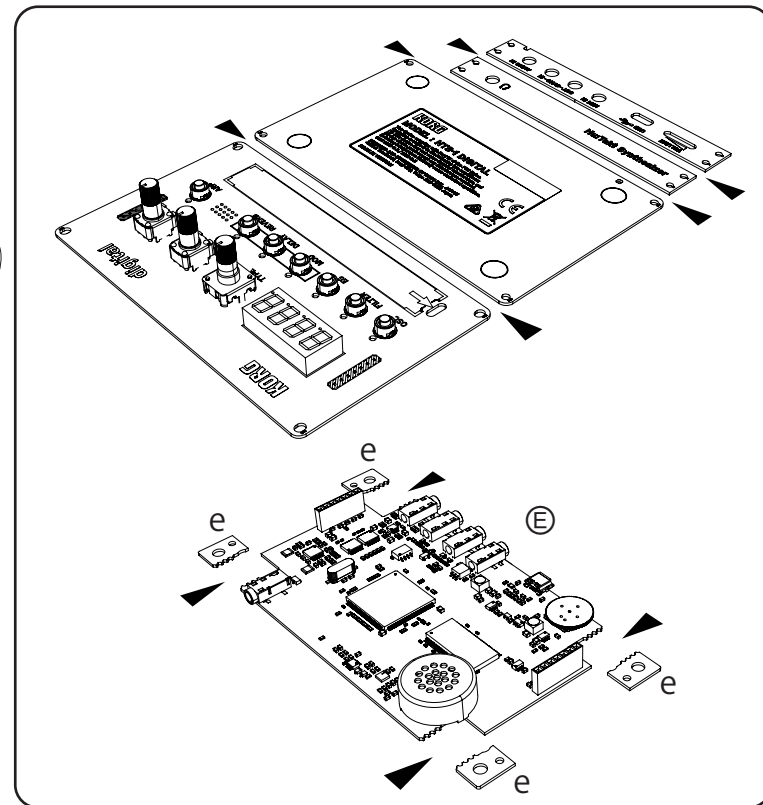
e: When attaching a custom sideboard, use these as spacers (see step 6, page 7).

e: Si vous montez des plaques latérales personnalisées, utilisez ces pièces comme entretoises (voyez l'étape 6 à la page 7).

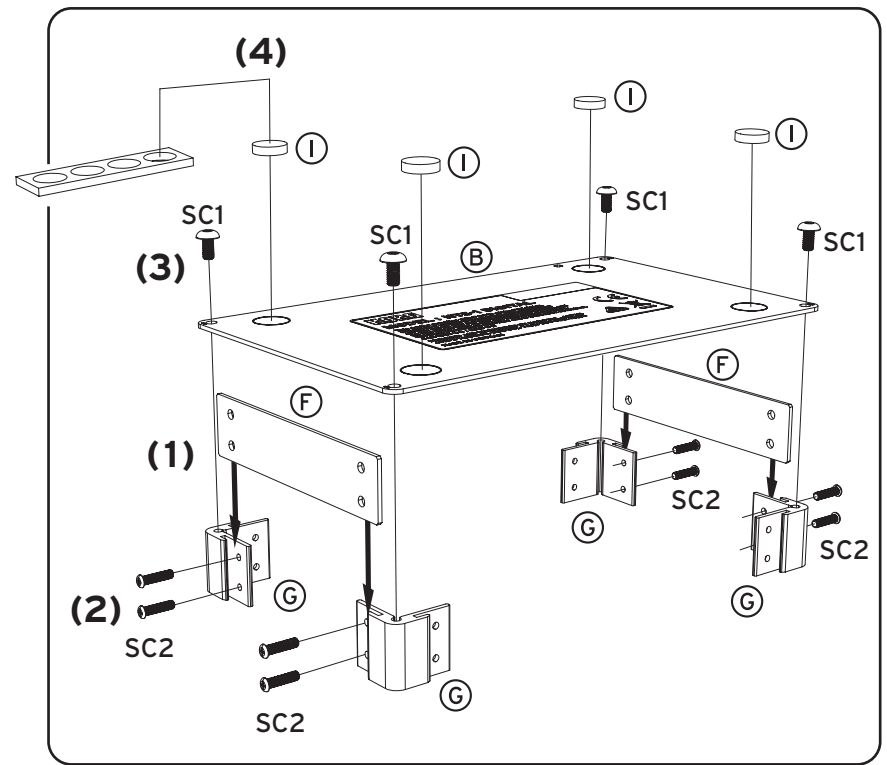
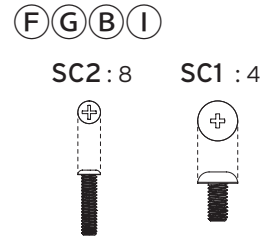
e: Verwenden Sie beim Anbringen einer eigenen Nebenplatte diese Abstandshalter (siehe Schritt 6, Seite 7).

e: Cuando coloque un lateral personalizado, úselos como espaciadores (ver paso 6, página 7).

e: 自作の側板を取り付けるときに、スペーサーとして使用します (7ページ「6」参照)。

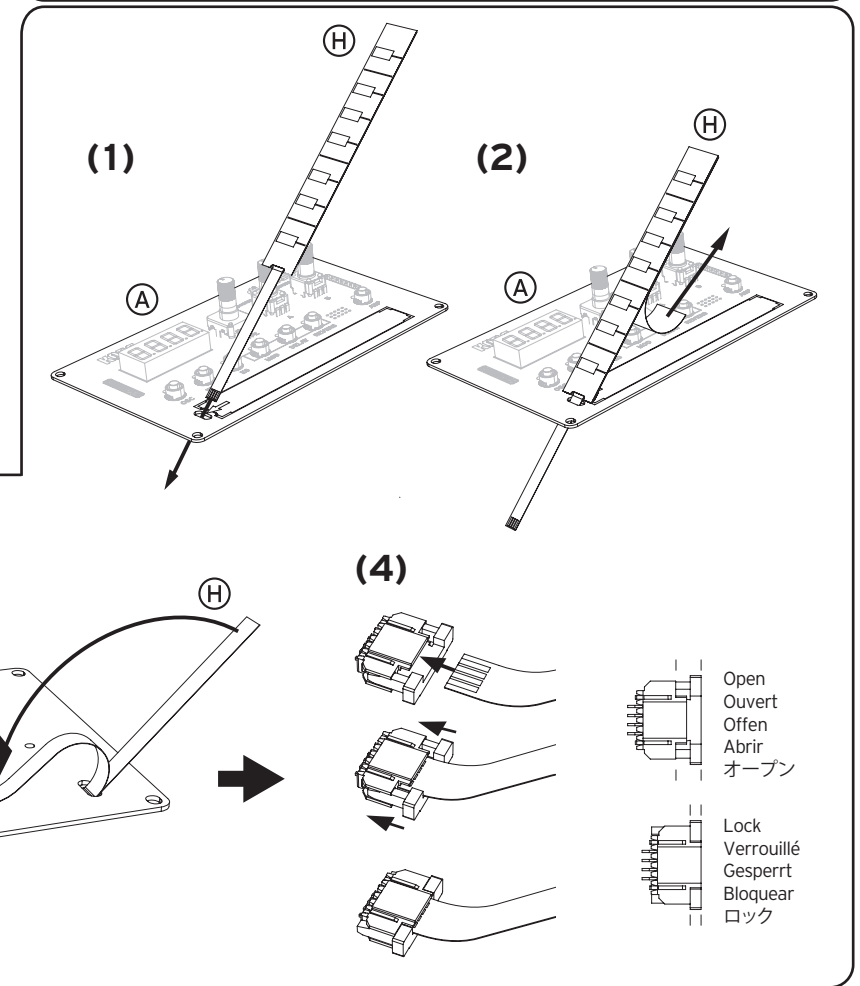


2



3

- A H**
- ⚠ Do not bend the flat cable ⊕.
 - ⚠ Ne pliez pas le câble plat ⊕.
 - ⚠ Flachbandkabel nicht knicken ⊕.
 - ⚠ No doble el cable de cinta ⊕.
 - ⚠ ⊕のフラット・ケーブルを折らないようにしてください。



4

(A) (E)

SC1 : 4



Make sure that the circuit boards for (1) are not misaligned when inserting.

The section on (E) with holes indicated by an arrow ↗ is the rear side.

Vérifiez que le circuit imprimé est correctement aligné pour (1) lors du montage.

La section sur (E) indiquée par une flèche ↗ et comportant des orifices est la face arrière.

Achten Sie darauf, dass die Platinen für (1) beim Einsetzen korrekt ausgerichtet sind.

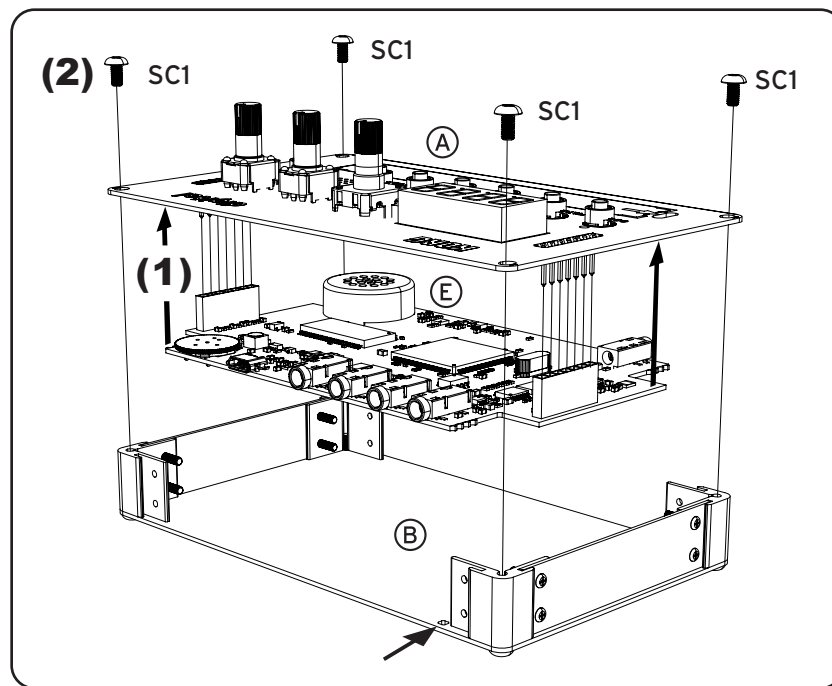
Der Abschnitt von (E) mit den Löchern, die durch einen Pfeil gekennzeichnet ↗ sind, ist die Rückseite.

Asegúrese de que las placas de circuitos para (1) no están mal alineadas al insertarlas.

La sección en (E) con orificios indicados por una flecha ↗ es la parte posterior.

(1)で、基板を差し込む位置がずれないようにしてください。

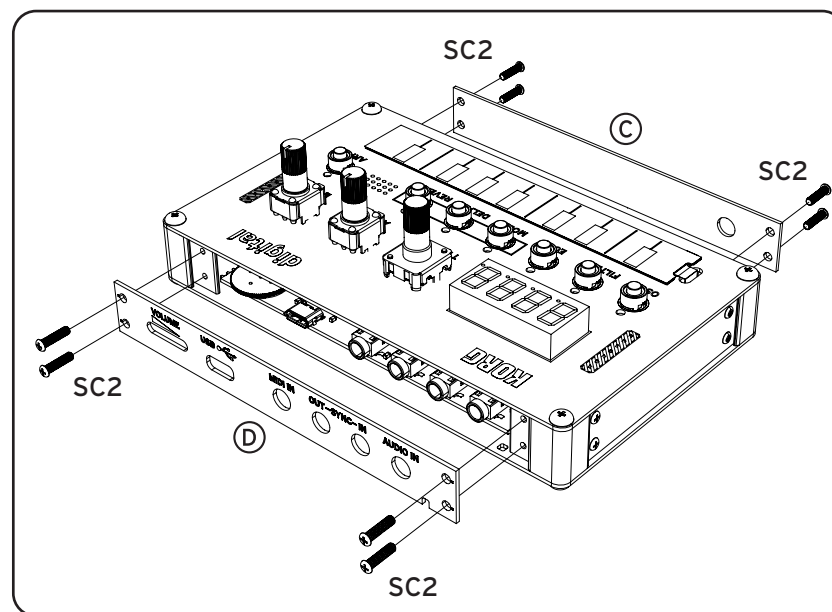
(E)の ↗ 部分に穴がある方がリア側です。



5

(C) (D)

SC2 : 8



6

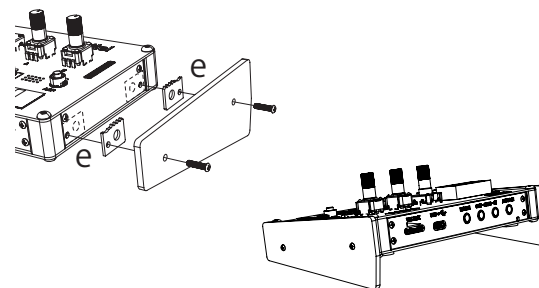
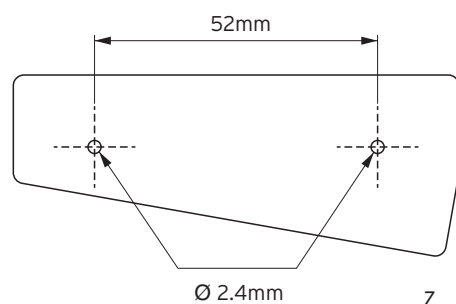
Refer to the following when attaching a custom sideboard.

Voyez les informations ci-dessous pour monter des plaques latérales personnalisées.

Beachten Sie die folgenden Informationen für das Anbringen einer eigenen Nebenplatine.

Remítase a lo siguiente cuando coloque un lateral personalizado.

自作の側板を取り付けるときは、以下を参考にしてください。



En Checking after assembly

After assembling the kit and before turning on the power, make sure to check the following.

- Are the parts mounted in the correct direction?
- Is the kit built securely, without wobbling?

Troubleshooting

Extra parts remaining, or parts missing.

- There are more screws than the number that will be used.
- If any parts are missing, contact your local Korg distributor.
- If any parts are damaged or missing before beginning the assembly procedure, contact your local Korg distributor.

The unit makes an abnormal sound when tilted or shaken after assembly.

- A loose screw or other part might have been left inside the unit. Open the unit and check the inside.

The device does not turn on.

- In step 4 (1), the pin positions may be misaligned when inserting the circuit board. Make sure that the pins are in the proper position when inserting.
- In step 3 (3), the flat cable may not be inserted correctly into the connector. Make sure that the flat cable is inserted into the connector.

Fr À vérifier après le montage

Après avoir assemblé le kit, vérifiez les points suivants avant de mettre l'instrument sous tension.

- Les composants sont-ils montés et orientés correctement?
- Le kit est-il assemblé correctement, sans aucun jeu?

Dépannage

Composants résiduels ou manquants.

- Vous trouverez plus de vis inclus que nécessaire pour l'assemblage.
- Si des pièces manquent, contactez votre distributeur Korg local.
- Si des pièces manquent ou sont endommagées avant de démarrer la procédure d'assemblage, contactez votre distributeur Korg local.

L'instrument produit un son anormal quand il est incliné ou autrement manipulé après l'assemblage.

- Une vis ou un autre composant s'est peut-être détaché à l'intérieur de l'instrument. Ouvrez le boîtier et vérifiez l'intérieur de l'instrument.

L'appareil ne s'allume pas.

- À l'étape 4 (1), les broches ont peut-être été incorrectement alignées lors du montage du circuit imprimé. Vérifiez que la position des broches est correcte lors du montage.
- À l'étape 3 (3), le câble plat a peut-être été mal inséré dans le connecteur. Vérifiez que le câble plat est correctement inséré dans le connecteur.

De Überprüfung nach Montage

Überprüfen Sie nach dem Zusammenbau und vor dem Einschalten des Geräts die folgenden Details.

- Sind die Teile in der richtigen Richtung eingebaut?
- Sitten alle Teile fest, ohne zu wackeln?

Fehlersuche und -Beseitigung

Übriggebliebene oder fehlende Teile.

- Der Packing liegen mehr Schrauben bei als benötigt.
- Sollten Teile fehlen, wenden Sie sich an Ihren Korg-Händler vor Ort.
- Sollten Teile vor Beginn der Montage beschädigt sein oder fehlen, wenden Sie sich an Ihren Korg-Händler vor Ort.

Beim Kippen oder Schütteln des Geräts nach der Montage ist ein ungewöhnliches Geräusch zu hören.

- Möglicherweise befindet sich eine lose Schraube oder ein anderes Teil im Innern des Geräts. Öffnen Sie das Gerät und schauen Sie im Innern nach.

Das Gerät lässt sich nicht einschalten.

- In Schritt 4 (1) wurden beim Einbau der Platine möglicherweise die Stiftpositionen falsch ausgerichtet. Achten Sie darauf, dass die Stifte beim Einbau in der richtigen Position sind.
- In Schritt 3 (3) wurde möglicherweise das Flachbandkabel nicht korrekt in den Verbinder eingesetzt. Achten Sie darauf, dass das Flachbandkabel korrekt eingesteckt ist.

Es Comprobación después del ensamblaje

Después de montar el kit antes de encender la alimentación, asegúrese de comprobar lo siguiente:

- ¿Están las piezas montadas en la dirección correcta?
- ¿La construcción del kit es segura y estable?

Solución de problemas

Sobran o faltan piezas.

- Se incluyen más tornillos que se utilizarán.
- Si falta alguna pieza, póngase en contacto con su proveedor local Korg.
- Si alguna pieza está dañada o falta antes de comenzar el procedimiento de montaje, póngase en contacto con su proveedor local Korg.

La unidad hace un sonido anormal cuando se inclina o se agita después del montaje.

- Podría haber quedado suelto un tornillo u otra pieza dentro de la unidad. Abra la unidad y compruebe el interior.

El dispositivo no se enciende.

- En el paso 4 (1), las posiciones de los pines podrían estar mal alineadas al insertar la placa de circuito impreso. Asegúrese de que los pines están en la posición correcta al insertarlos.
- En el paso 3 (3), el cable de cinta puede no estar correctamente insertado en el conector. Asegúrese de que el cable de cinta está insertado en el conector.

Ja 組み立て後のチェック

組み立てが完成したら、電源を入れる前に下記の項目を必ず確認してください。

- 部品の取り付け向きが間違っていないか
- 全体的にぐらついていないか

トラブル・シューティング

部品が余っている、部品が足りない

- ネジ類は、使用する個数より多めに入っています。
- 部品を紛失した場合は、お客様相談窓口にお問い合わせください。
- 部品が初めから入っていないか、破損しているときはお客様相談窓口へお問い合わせください。

組み立て後、本体を傾けたり揺すったりすると異音が出る

- 本体の中に、ネジなどが混入している可能性があります。一度開けて内部を確認してください。

電源が入らない

- 手順4 (1) で、基板を差し込むときにピンの位置がずれている可能性があります。ピンが正しい位置に差し込まれているかどうかを確認してください。
- 手順3 (3) で、フラット・ケーブルがコネクタに正しく挿入されていない可能性があります。フラット・ケーブルがコネクタに挿入されているかどうかを確認してください。

Fr Précautions

Emplacement

L'utilisation de cet instrument dans les endroits suivants peut en entraîner le mauvais fonctionnement.

- En plein soleil
- Endroits très chauds ou très humides
- Endroits sales ou fort poussiéreux
- Endroits soumis à de fortes vibrations
- A proximité de champs magnétiques

Alimentation

Branchez l'adaptateur secteur mentionné à une prise secteur de tension appropriée. Évitez de brancher l'adaptateur à une prise de courant dont la tension ne correspond pas à celle pour laquelle l'appareil est conçu.

Maniement

Pour éviter de les endommager, manipulez les commandes et les boutons de cet instrument avec soin.

Évitez tout contact des mains avec les yeux et la bouche après avoir touché les circuits imprimés. Les circuits imprimés pourraient contenir des parties protubérantes provenant du montage. Veillez à ne pas vous blesser sur ces parties quand vous manipulez cet appareil.

Entretien

Lorsque l'instrument se salit, nettoyez-le avec un chiffon propre et sec. Ne vous servez pas d'agents de nettoyage liquides tels que du benzène ou du diluant, voire des produits inflammables.

Conservez ce manuel

Après avoir lu ce manuel, veuillez le conserver soigneusement pour toute référence ultérieure.

Évitez toute intrusion d'objets ou de liquide

Ne placez jamais de récipient contenant du liquide près de l'instrument. Si le liquide se renverse ou coule, il risque de provoquer des dommages, un court-circuit ou une électrocution.

Veillez à ne pas laisser tomber des objets métalliques dans le boîtier (trombones, par ex.). Si cela se produit, débranchez l'alimentation de la prise de courant et contactez votre revendeur Korg le plus proche ou la surface où vous avez acheté l'instrument.

Note concernant les dispositions (Seulement EU)

Quand un symbole avec une poubelle barrée d'une croix apparaît sur le produit, le mode d'emploi, les piles ou le pack de piles, cela signifie que ce produit, manuel ou piles doit être déposé chez un représentant compétent, et non pas dans une poubelle ou toute autre déchetterie conventionnelle. Disposer de cette manière, de prévenir les dommages pour la santé humaine et les dommages potentiels pour l'environnement. La bonne méthode d'élimination dépendra des lois et règlements applicables dans votre localité, s'il vous plaît, contactez votre organisme administratif pour plus de détails. Si la pile contient des métaux lourds au-delà du seuil réglementé, un symbole chimique est affiché en dessous du symbole de la poubelle barrée d'une croix sur la pile ou le pack de piles.

REMARQUE IMPORTANTE POUR LES CLIENTS

Ce produit a été fabriqué suivant des spécifications sévères et des besoins en tension applicables dans le pays où ce produit doit être utilisé. Si vous avez acheté ce produit via l'internet, par vente par correspondance ou/et vente par téléphone, vous devez vérifier que ce produit est bien utilisable dans le pays où vous résidez.
ATTENTION: L'utilisation de ce produit dans un pays autre que celui pour lequel il a été conçu peut être dangereuse et annuler la garantie du fabricant ou du distributeur. Conservez bien votre récépissé qui est la preuve de votre achat, faute de quoi votre produit ne risque de ne plus être couvert par la garantie du fabricant ou du distributeur.

* Tous les noms de produits et de sociétés sont des marques commerciales ou déposées de leur détenteur respectif.

Fiche technique

Clavier : à ruban, **Générateur de son** : 1 VCO, 1 filtre multimode, 1 EG, 3 LFO, **Effets** : MOD (CHORUS, ENSEMBLE, PHASER, FLANGER), REVERB, DELAY, **prises d'entrée/sortie** : prise casque (fiche minijack stéréo de 3,5 mm), prise AUDIO IN (fiche minijack stéréo de 3,5 mm), prise SYNC IN (fiche minijack TRS de 3,5 mm, niveau d'entrée de 20V maximum), prise SYNC OUT (fiche minijack TRS de 3,5 mm, niveau de sortie de 5V), prise MIDI IN (fiche minijack TRS de 3,5 mm), port USB (de type micro B), **Alimentation** : via bus USB, **Consommation électrique** : 500 mA max., **Dimensions** (L x P x H) : 129 mm x 78 mm x 39 mm, **Poids** : 124 g, **Accessoires fournis** : câble USB, Manuel d'utilisation

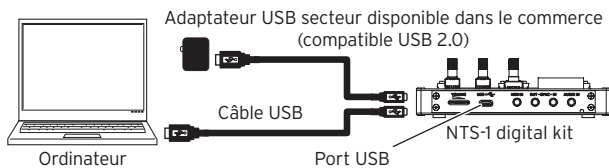
* Les caractéristiques et l'aspect du produit sont susceptibles d'être modifiés sans avis préalable en vue d'une amélioration.

Introduction

Merci d'avoir choisi le kit de synthétiseur programmable Nu:Tekt NTS-1 digital kit.

Le NTS-1 digital kit est un synthétiseur compact en kit assemblé par l'utilisateur sans aucune soudure. Il est doté d'un oscillateur numérique inspiré du prologue et du minilogue xd, d'un filtre multimode à modélisation analogique, d'un générateur d'enveloppe à modélisation analogique et d'effets modulation, delay et reverb. Cet instrument est compatible avec le logue SDK, ce qui vous permet de charger vos propres oscillateurs et effets 'perso' ou ceux d'autres fabricants.

Connexions et alimentation



Reliez le port USB du NTS-1 digital kit au port USB d'un ordinateur ou à une alimentation USB conforme (5 V c.c. 550 mA ou plus) disponible dans le commerce avec le câble USB fourni.

L'instrument est mis sous tension et active son mode de jeu.

⚠ Utilisez uniquement le câble USB fourni.

⚠ Assurez-vous d'utiliser un adaptateur secteur compatible USB 2.0. Cependant, selon l'adaptateur secteur USB utilisé, il peut y avoir des cas dans lesquels il ne fonctionnera pas normalement, même s'il est compatible avec les normes.

Mise hors tension

Débranchez le câble USB du NTS-1 digital kit.

Une fois que le câble est débranché, tous les témoins s'éteignent.

MODE DE VEILLE

Après 15 minutes sans aucune manipulation, l'instrument entre en mode de veille. Appuyez sur le bouton OSC pour annuler la veille et rétablir le fonctionnement normal de l'instrument.

Commandes et leurs fonctions

Écran : Lorsque vous manipulez les commandes et boutons, le nom ou la valeur des paramètres s'affiche à l'écran.

Clavier à ruban : Appuyez sur la surface du clavier pour jouer les sons.

Prise (casque) : Vous pouvez brancher un casque à cette fiche minijack stéréo de 3,5 mm pour couper le son du haut-parleur interne du NTS-1 digital kit et jouer sans déranger votre entourage.

1. Une pression sur le bouton MOD, DELAY et REVERB active l'effet correspondant.
2. La commande TYPE et les commandes A, B permettent alors de régler les paramètres de l'effet sélectionné.

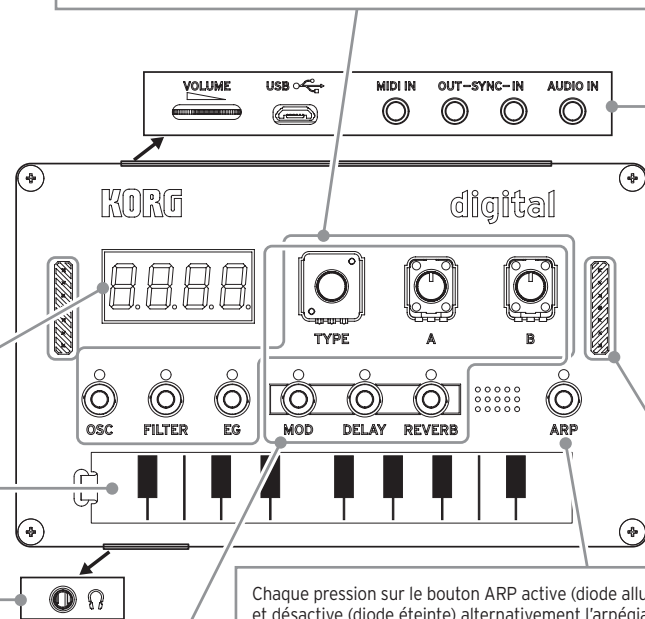
Boutons FX	Commande TYPE	Commande A	Commande B	Boutons FX + commande B
MOD	OFF (OFF), Chorus (CHORUS), Ensemble (ENSEMBLE), Phaser (PHASER), Flanger (FLANGER) Sélectionne le type d'effet de modulation.	Time (TEMPS) Règle la vitesse de modulation.		-
DELAY	OFF (OFF), Stereo (STÉREO), Mono (MONO), Ping Pong (PING PONG), High Pass (HIGHPASS), Tape (TAPPE) Sélectionne le type d'effet de retard.	Time (TEMPS) Règle le temps de retard.	Depth (PROFOND) Règle l'intensité de l'effet.	
REVERB	OFF (OFF), Hall (HALL), Plate (PLATE), Space (SPACE), Riser (RISE), Submarine (SUBMARINE) Sélectionne le type d'effet de réverbération.	Time (TEMPS) Règle la durée de réverbération.		Dry/wet mix : d100-d001, --, w001-w100 Règle la balance entre le son sans effet et le son avec effet.

Pour des détails sur les effets utilisateur, voyez le site internet de Nu:Tekt (www.nutekt.org).

1. Une pression sur le bouton OSC, FILTER et EG sélectionne le bloc correspondant.
2. La commande TYPE et les commandes A, B permettent alors de régler les paramètres du bloc sélectionné.

Boutons MODE	Commande TYPE	Commande A	Commande B	Boutons MODE +	
				Commande A	Commande B
OSC	Sawtooth (SERR), Triangle (TRI), Square (CARRÉ), VPM (VPM), User OSC* Sélectionne le type de forme d'onde. <Quand User OSC* est sélectionné> OSC+TYPE sélectionne les paramètres d'édition (différent selon l'oscillateur).	Shape (SHAPE) Quantité de mise en forme d'onde appliquée. 	Alternate (ALTERNATIF) Paramètre alternatif (diffère selon l'oscillateur). <Quand User OSC* est sélectionné> Règle la valeur du paramètre d'édition sélectionné.	LFO rate : F0.0-F30.0 Règle la fréquence du LFO.	Pitch/shape LFO depth : P100-P001, --, S001-S100 Règle l'intensité de modulation de hauteur ou de forme.
FILTER	Low pass-2 pole (LP2), Low pass-4 pole (LP4), Band pass-2 pole (BP2), Band pass-4 pole (BP4), High pass-2 pole (HP2), High pass-4 pole (HP4), OFF (OFF) Sélectionne le type de filtre.	Cutoff (CUT) Règle la fréquence de coupure, qui modifie la brillance du son.	Resonance (RESONANCE) Accentue davantage les harmoniques aux alentours de la fréquence de coupure.	Sweep rate : F0.0-F30.0 Règle la vitesse de balayage de la fréquence de coupure.	Cutoff sweep depth : u100-u001, --, d000-d100 Règle l'intensité de balayage de la fréquence de coupure.
EG	ADSR (ADSR), AHR (AHR), AR (AR), AR loop (AR LOOP), Open (OPEN) Règle le type d'enveloppe d'amplitude.	Attack (ATT) Définit le temps nécessaire pour que l'enveloppe atteigne son niveau maximum quand vous jouez une note.	Release (REL) Définit le temps nécessaire pour que l'enveloppe atteigne le niveau 0 après la fin de la note.	Tremolo rate : F0.0-F60.0 Règle la vitesse du trémolo.	Tremolo depth : d000-d100 Règle l'intensité du trémolo.

* User OSC : " " a été chargé à l'usine. Pour des détails sur l'oscillateur utilisateur (User OSC), voyez le site internet de Nu:Tekt (www.nutekt.org).



VOLUME : Règle le niveau du signal transmis au haut-parleur et à la prise (casque).

Prise AUDIO IN : Entrée audio stéréo. Le réglage de gain et le routage du mix peuvent être réglés avec les paramètres globaux.

Prises IN-SYNC-OUT (SYNC IN, SYNC OUT) : Ces prises permettent de synchroniser le NTS-1 digital kit avec un Korg volca, monotribe ou un autre instrument - y compris un séquenceur analogique ou une station de travail audio numérique (DAW). La polarité des prises SYNC peut être réglée avec les paramètres globaux.

Prise SYNC OUT : Transmet une impulsion de 5 V durant 15 ms au début de chaque pas.

Prise SYNC IN : Quand cette prise est reliée à un dispositif, l'horloge interne du séquenceur est ignorée et l'arpégiateur du NTS-1 digital kit aligne ses pas sur les impulsions reçues à cette prise.

Prise MIDI IN : La connexion d'un dispositif MIDI à cette prise via un câble MIDI permet de jouer et de piloter le NTS-1 digital kit depuis le dispositif externe (Voyez le site internet de Nu:Tekt). Vous pouvez télécharger le tableau d'implémentation MIDI sur le site web de Nu:Tekt.

Port USB : Ce port USB sert à relier le NTS-1 digital kit à un ordinateur ou une alimentation USB disponible dans le commerce.

⚠ Veillez à ne pas toucher les connexions métalliques, car cela pourrait causer des courts-circuits et des dysfonctionnements.

Chaque pression sur le bouton ARP active (diode allumée) et désactive (diode éteinte) alternativement l'arpégiateur. Quand l'arpégiateur est activé, il fonctionne tant que vous appuyez sur le clavier à ruban. Une longue pression sur le bouton ARP verrouille l'arpégiateur. Pour déverrouiller l'arpégiateur, appliquez à nouveau une longue pression sur le bouton ARP. Quand le bouton ARP est maintenu enfoncé, les commandes TYPE, A et B permettent de régler les paramètres de l'arpégiateur.

Boutons ARP +	Paramètres d'arpégiateur
Bouton OSC	Octave (OCT)
Bouton FILTER	Triade majeure (MAJ)
Bouton EG	Majeur suspendu (SUS)
Bouton MOD	Majeur augmenté (MAUG)
Bouton DELAY	Triade mineure (MIN)
Bouton REVERB	Mineur diminué (MIN)
Commande TYPE	Up (UP), Down (DOWN), Up-Down (UD), Down-Up (DU), Converge (CONV), Diverge (DIV), Conv.-Div. (CD), Div.-Conv. (DC), Random (RAND), Stochastic (STOC) Sélectionne le motif de l'arpégiateur.
Commande A	Longueur du motif d'arpégiateur : 1-24
Commande B	En cas d'une synchronisation externe, règle la durée des pas : 16th-64th. Dans les autres cas, règle le tempo : 56,0-240,0

Paramètres globaux

1. Mettez le NTS-1 digital kit sous tension tout en maintenant enfoncé son bouton REVERB.
2. Sélectionnez un paramètre global avec la commande TYPE et changez sa valeur avec la commande B. La valeur actuelle s'affiche sur le côté droit de l'écran. Pour annuler vos réglages, appuyez sur le bouton REVERB.
3. Quand vous avez effectué les réglages voulus, appuyez sur le bouton ARP. Vos réglages sont sauvegardés et le NTS-1 digital kit redémarre.

Commande TYPE	Commande B
Input route (INR)	0*: before mod, 1: before delay, 2: before reverb, 3: before master, 4: after master
Input trim (INTR)	0: 0dB, 1: -1dB, 2: -2dB, 3: -3dB, 4: -4dB, 5: -5dB, 6*: -6dB, 7: -7dB, 8: -8dB, 9: -9dB, A: -10dB, B: -12dB, C: -16dB, D: -24dB, E: -48dB, F: -64dB
Sync out polarity (SYO)	0*: active high, 1: active low
Sync in polarity (SYI)	0*: active high, 1: active low
Tempo range (TEMP)	0*: narrow, 1: wide
MIDI clock source (CLC)	0: interne, 1*: auto
MIDI RX/short message (SHR)	0: désactivé, 1*: activé
MIDI route (RRT)	0*: USB+MIDI, 1: USB
MIDI channel (CHR)	0*-F: 1-16
Sync in/out unit (SEU)	0*: 2step, 1: every step
EG Legato (LEG)	0: désactivé, 1*: activé
Mode de veille (SLP)	0: désactivé, 1*: activé
Touch sensor calibration (CR)	Voyez le site internet de Nu:Tekt

* : Réglage d'usine

De Vorsichtsmaßnahmen

Aufstellungsort

Vermeiden Sie das Aufstellen des Geräts an Orten, an denen:

- es direkter Sonneneinstrahlung ausgesetzt ist;
- hohe Feuchtigkeit oder Extremtemperaturen auftreten können;
- Staub oder Schmutz in großen Mengen vorhanden sind;
- das Gerät Erschütterungen ausgesetzt sein kann.
- in der Nähe eines Magnetfeldes.

Stromversorgung

Schließen Sie das optionale Netzteil nur an eine geeignete Steckdose an. Verbinden Sie es niemals mit einer Steckdose einer anderen Spannung.

Bedienung

Vermeiden Sie bei der Bedienung von Schaltern und Reglern unangemessenen Kraftaufwand.

Reiben Sie sich nicht die Augen und lecken Sie sich nicht die Hände, nachdem Sie die Leiterplatten berührt haben. An den Leiterplatten können durch den Produktionsprozess bedingt Teile hervorstehen. Achten Sie beim Betrieb des Geräts darauf, sich nicht an diesen Teilen zu verletzen.

Reinigung

Bei auftretender Verschmutzung können Sie das Gehäuse mit einem trockenen, sauberen Tuch abwischen. Verwenden Sie keinerlei Flüssigreiniger wie beispielsweise Reinigungsbenzin, Verdünnung oder Spülmittel. Verwenden Sie niemals brennbare Reiniger.

Bedienungsanleitung

Bewahren Sie diese Bedienungsanleitung gut auf, falls Sie sie später noch einmal benötigen.

Flüssigkeiten und Fremdkörper

Stellen Sie niemals Behältnisse mit Flüssigkeiten in der Nähe des Geräts auf. Wenn Flüssigkeit in das Gerät gelangt, können Beschädigung des Geräts, Feuer oder ein elektrischer Schlag die Folge sein.

Beachten Sie, dass keinerlei Fremdkörper in das Gerät gelangen. Sollte ein Fremdkörper in das Gerät gelangt sein, so trennen Sie es sofort vom Netz. Wenden Sie sich dann an Ihren Korg-Fachhändler.

Hinweis zur Entsorgung (Nur EU)

Wenn Sie das Symbol mit der „durchgekreuzten Mülltonne“ auf Ihrem Produkt, der dazugehörigen Bedienungsanleitung, der Batterie oder dem Batteriepack sehen, müssen Sie das Produkt in der vorgeschriebenen Art und Weise entsorgen. Dies bedeutet, dass dieses Produkt mit elektrischen und elektronischen Komponenten nicht mit dem normalen Hausmüll entsorgt werden darf. Für Produkte dieser Art existiert ein separates, gesetzlich festgelegtes Entsorgungssystem. Gebrauchte elektrische und elektronische Geräte müssen separat entsorgt werden, um ein umweltgerechtes Recycling sicherzustellen. Diese Produkte müssen bei benannten Sammelstellen abgegeben werden. Die Entsorgung ist für den Endverbraucher kostenfrei! Bitte erkundigen Sie sich bei ihrer zuständigen Behörde, wo sie diese Produkte zur fachgerechten Entsorgung abgeben können. Falls ihr Produkt mit Batterien oder Akkumulatoren ausgerüstet ist, müssen sie diese vor Abgabe des Produktes entfernen und separat entsorgen (siehe oben). Die Abgabe dieses Produktes bei einer zuständigen Stelle hilft Ihnen, dass das Produkt umweltgerecht entsorgt wird. Damit leisten sie persönlich einen nicht unerheblichen Beitrag zum Schutz der Umwelt und der menschlichen Gesundheit vor möglichen negativen Effekten durch unsachgemäße Entsorgung von Müll. Batterien oder Akkus, die Schadstoffe enthalten, sind auch mit dem Symbol einer durchgekreuzten Mülltonne gekennzeichnet. In der Nähe zum Mülltonnensymbol befindet sich die chemische Bezeichnung des Schadstoffes. Cd oder NiCd steht für Cadmium, Pb für Blei und Hg für Quecksilber.

WICHTIGER HINWEIS FÜR KUNDEN

Dieses Produkt wurde unter strenger Beachtung von Spezifikationen und Spannungsanforderungen hergestellt, die im Bestimmungsland gelten. Wenn Sie dieses Produkt über das Internet, per Postversand und/oder mit telefonischer Bestellung gekauft haben, müssen Sie bestätigen, dass dieses Produkt für Ihr Wohngebiet ausgelegt ist. **WARNUNG:** Verwendung dieses Produktes in einem anderen Land als dem, für das es bestimmt ist, verwendet wird, kann gefährlich sein und die Garantie des Herstellers oder Importeurs hinfällig lassen werden. Bitte bewahren Sie diese Quittung als Kaufbeleg auf, da andernfalls das Produkt von der Garantie des Herstellers oder Importeurs ausgeschlossen werden kann.

* Alle Produkt- und Firmennamen sind Warenzeichen oder eingetragene Warenzeichen der betreffenden Eigentümer.

Technische Daten

Tastatur: Ribbon-Tastatur, **Klangerzeugungs-System:** 1 VCO, 1 Multimode-Filter, 1 EG, 3 LFO, **Effekte:** MOD (CHORUS, ENSEMBLE, PHASER, FLANGER), REVERB, DELAY, **Eingangs-/Ausgangsbuchsen:** Kopfhörer-Buchse (3,5 mm Stereo-Mini-Klinkenbuchse), AUDIO IN-Buchse (3,5 mm Stereo-Mini-Klinkenbuchse), SYNC IN-Buchse (3,5 mm TRS-Mini-Klinkenbuchse, 20V maximaler Eingangspegel), SYNC OUT-Buchse (3,5 mm TRS-Mini-Klinkenbuchse, 5V Ausgangspegel), MIDI IN-Buchse (3,5 mm TRS-Mini-Klinkenbuchse), USB-Port (Micro B-Typ), **Stromversorgung:** USB-Power-Modus, **Stromverbrauch:** 500 mA oder weniger, **Abmessungen (B×T×H):** 129 mm×78 mm×39 mm, **Gewicht:** 124 g. **Lieferumfang:** USB-Kabel, Bedienungsanleitung

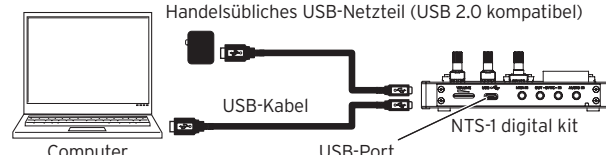
* Änderungen der technischen Daten und des Designs ohne vorherige Ankündigung vorbehalten.

Einführung

Vielen Dank, dass Sie sich für das programmierbare Synthesizer-Kit NTS-1 digital kit von Nu:Tekt entschieden haben.

Das NTS-1 digital kit ist ein kompakter DIY Synthesizer, der ohne Löten zusammengesetzt werden kann. Er verfügt über einen analog prologue und minilogue xd angelehnten digitalen Oszillator, einen analog modellierten Multimode-Filter, einen analog modellierten Hüllkurvengenerator sowie Modulations-, Delay- und Reverb-Effekte. Er ist kompatibel mit dem logue SDK, was es Ihnen erlaubt, Ihre eigenen Oszillatoren und Effekte oder solche von Zulieferern zu laden.

Anschlüsse und Stromversorgung



Verwenden Sie das mitgelieferte USB-Kabel zum Verbinden des NTS-1 digital Kits mit einem Computer oder einem handelsüblichen USB-kompatiblen Netzteil (5 V Gleichstrom, 550 mA oder höher). Die Stromversorgung wird eingeschaltet, und das Gerät geht in den Wiedergabemodus.

- ⚠ Verwenden Sie nur das mitgelieferte USB-Kabel.
- ⚠ Bitte verwenden Sie ein USB 2.0 kompatibles Netzgerät. Es ist durchaus möglich, dass das Gerät trotz eines USB-kompatiblen Netzgeräts nicht richtig funktioniert. Verwenden Sie in diesem Fall ein Netzgerät eines anderen Herstellers.

Ausschalten

Ziehen Sie das USB-Kabel vom NTS-1 digital-Kit ab. Sobald die Verbindung unterbrochen ist, erlischt die Spannungsanzeige.

RUHEZUSTAND

Nach 15 Minuten Inaktivität geht das Gerät in den Ruhemodus. Drücken Sie die OSC-Taste, um das Gerät zu wecken und zum Normalbetrieb zurückzukehren.

Bedienelemente und deren Funktionen

Display: Beim Bedienen von Reglern und Tasten wird der Name oder Wert des Parameters angezeigt.

Ribbon-Tastatur: Drücken Sie mit den Fingern, um Sounds zu erzeugen.

Ⓜ (Kopfhörer)-Buchse: Wenn Sie einen Kopfhörer an diese 3,5 mm Stereo-Miniklinkenbuchse anschließen, wird der eingebaute Lautsprecher des NTS-1 digital kit stumm geschaltet und Sie können Musik machen, ohne andere zu stören.

1. Mit den Bedienelementen MOD, DELAY und REVERB wird der entsprechende Effekt ausgelöst.
2. Die Regler TYPE, A und B können dann verwendet werden, um die Parameter für den ausgewählten Effekt zu setzen.

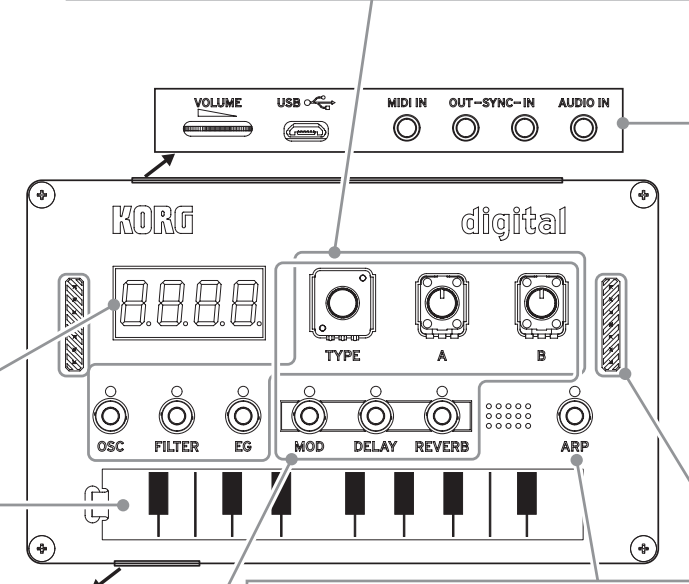
FX Tasten	TYPE-Regler	Regler A	Regler B	FX-Tasten und Regler B
MOD	OFF (OFF), Chorus (CHORUS), Ensemble (ENSEMBLE), Phaser (PHASER), Flanger (FLANGER) Wählt den Modulationseffekt.	Time (TIME) Regelt die Modulationsgeschwindigkeit.		
DELAY	OFF (OFF), Stereo (STEREO), Mono (MONO), Ping Pong (PING PONG), High Pass (HIGH PASS), Tape (TAPE) Wählt den Delay-Effekt.	Time (TIME) Regelt die Delayzeit.	Depth (DEPTH) Bearbeitet die Intensität des Effekts.	Dry/Wet-Mix: d100-d001, -, w001-w100 Legt die Dry/Wet-Balance des Effekts fest.
REVERB	OFF (OFF), Hall (HALL), Plate (PLATE), Space (SPACE), Riser (RISER), Submarine (SUBMARINE) Wählt den Reverb-Effekt.	Time (TIME) Regelt die Reverb-Dauer.		

Weitere Einzelheiten zu Benutzer-Effekten finden Sie auf der Nu:Tekt-Website (www.nutekt.org).

1. Mit den Tasten OSC, FILTER und EG wird der entsprechende Effekt ausgelöst.
2. Die Regler TYPE, A und B können dann verwendet werden, um die Parameter für den ausgewählten Effekt zu setzen.

MODE-Tasten	TYPE-Regler	Regler A	Regler B	MODE-Tasten +	
				Regler A	Regler B
OSC	Sawtooth (SAW), Triangle (TRI), Square (SQR), VPM (VPM), User OSC* Wählt die Wellenform. *Bei Auswahl von Benutzer-OSC* OSC + TYPE wählt die Bearbeitungsparameter (variiert je nach Oszillator).	Shape (SHAPE) Menge des angewendeten Wellen-Shapings. ⚡⚡⚡⚡⚡⚡ ⚡⚡⚡⚡⚡⚡ ⚡⚡⚡⚡⚡⚡	Alternate (ALTE) Alternative Parameter (variiert je nach Oszillator). *Bei Auswahl von Benutzer-OSC* Setzt den Wert des ausgewählten Bearbeitungsparameter.	LFO-Rate: F0.0-F30.0 Stellt die Frequenz des LFO ein.	Tonhöhe/Form LFO-Tiefe: P100-P001, -, S001-S100 Setzt den Betrag für Tonhöhe oder Modulation der Wellenform.
FILTER	Low pass-2 pole (LP2), Low pass-4 pole (LP4), Band pass-2 pole (BP2), Band pass-4 pole (BP4), High pass-2 pole (HP2), High pass-4 pole (HP4), OFF (OFF) Wählt den Filter-Typ aus.	Cutoff (CUT) Bestimmt die Cutoff-Frequenz, um die Brightness des Sounds zu verändern.	Resonance (RESON) Legt die Obertöne, die an der Cutoff-Frequenz auftreten.	Sweep-Rate: F0.0-F30.0 Stellt die Cutoff-Sweep-Frequenz ein.	Cutoff Sweep-Tiefe: u100-u001, -, d000-d100 Setzt die Richtung (hoch/runter) und Tiefe des Cutoff-Sweeps.
EG	ADSR (ADSR), AHR (AHR), AR (AR), AR loop (AR LOOP), Open (OPEN) Wählt die EG-Typ Amplitude.	Attack (ATT) Legt die Zeit fest, die der EG benötigt, um beim Anschlagen einer Note den höchsten Pegel zu erreichen.	Release (REL) Legt die Zeit fest, die der EG benötigt, um beim Anschlagen einer Note 0 zu erreichen.	Tremolo-Rate: F0.0-F60.0 Stellt die Frequenz des Tremolos ein.	Tremolotiefe: d000-d100 Regelt die Tremolotiefe.

* User-OSC: Vorgeladen mit „⚡⚡⚡⚡⚡“. Weitere Einzelheiten zu Benutzer-Effekten finden Sie auf der Nu:Tekt-Website (www.nutekt.org).



VOLUME: Stellt die Lautstärke der Signalabgabe an den Lautsprecher und Ⓜ die (Kopfhörer-)Buchse ein.

AUDIO IN-Buchse: Stereo-Audioeingang. Die Verstärkungseinstellung und Mix-Route kann über globale Parameter eingestellt werden.

Buchsen IN-SYNC-OUT (SYNC IN, SYNC OUT): Über diese Buchsen können Sie Ihr NTS-1 digital kit mit einem Korg volca, monome oder anderen Geräten wie analogen Sequenzern oder DAW synchronisieren. Die Polarität der SYNC-Buchsen kann über die globalen Parameter eingestellt werden.

SYNC OUT-Buchse: Sendet zu Beginn jedes Schrittes einen 5 V-Impuls vom 15 ms Länge.

SYNC IN-Buchse: Ist an dieser Buchse ein entsprechendes Gerät angeschlossen, wird die interne Uhr ignoriert und der ARP des NTS-1 digital kit wird über die hier empfangenen Impulse gesteuert.

MIDI IN-Buchse: Verbinden Sie diesen Eingang mithilfe eines MIDI-Kabels mit dem MIDI-Ausgang eines externen Geräts, um das NTS-1 digital kit damit anzusteuern (Finden Sie auf der Nu:Tekt-Website). Auf der Nu:Tekt-Website steht eine MIDI-Implementations-Tabelle zum Herunterladen bereit.

USB-Port: Verwenden Sie diesen USB-Port, um das NTS-1 digital kit mit Ihrem Computer oder einer kommerziellen USB-Stromquelle zu verbinden.

⚠ Achten Sie darauf, die Metallverbindungen nicht zu berühren, da dies zu Kurzschlüssen und Ausfällen führen kann.

Globale Parameter

1. Schalten Sie das NTS-1 digital kit bei gedrückter REVERB-Taste ein.
2. Wählen Sie einen globalen Parameter mit dem TYPE-Regler und ändern Sie den Wert mit dem Regler B. Der aktuelle Wert wird auf der rechten Seite des Displays angezeigt. Drücken Sie zum Verwerfen der Einstellungen die REVERB-Taste.
3. Wenn Sie die Einstellungen festgelegt haben, drücken Sie die ARP-Taste. Die Einstellungen werden gespeichert und das NTS-1 digital kit wird neugestartet.

TYPE-Regler	Regler B
Input-Route (INR)	0*: before mod, 1: before delay, 2: before reverb, 3: before master, 4: after master
Input-Trim (INP)	0: 0dB, 1: -1dB, 2: -2dB, 3: -3dB, 4: -4dB, 5: -5dB, 6*: -6dB, 7: -7dB, 8: -8dB, 9: -9dB, A: -10dB, B: -12dB, C: -16dB, D: -24dB, E: -48dB, F: -64dB
Sync out Polarität (SYO)	0*: aktiv hoch, 1: aktiv niedrig
Sync in Polarität (SYI)	0*: aktiv hoch, 1: aktiv niedrig
Tempobereich (TRP)	0*: eng, 1: weit
MIDI-Clock-Quelle (CLK)	0: intern, 1*: auto
MIDI RX/Nachrichten (SHR)	0: aus, 1*: an
MIDI-Route (RRT)	0*: USB+MIDI, 1: USB
MIDI-Kanal (CHN)	0*-F: 1-16
Sync in/out Einheit (SEP)	0*: 2step, 1: jeder Schritt
EG Legato (LEG)	0: aus, 1*: an
Ruhemodus (SLP)	0: aus, 1*: an
Touchsensor-Kalibrierung (CLR)	Finden Sie auf der Nu:Tekt-Website.

*: Werkseinstellungen

Es Precauciones

Ubicación

El uso de la unidad en las siguientes ubicaciones puede dar como resultado un mal funcionamiento:

- Expuesto a la luz directa del sol
- Zonas de extremada temperatura o humedad
- Zonas con exceso de suciedad o polvo
- Zonas con excesiva vibración
- Cercano a campos magnéticos

Fuente de alimentación

Por favor, conecte el adaptador de corriente designado a una toma de corriente con el voltaje adecuado. No lo conecte a una toma de corriente con voltaje diferente al indicado.

Manejo

Para evitar una rotura, no aplique excesiva fuerza a los conmutadores o controles.

No se frote los ojos ni ponga las manos en contacto con la boca después de haber tocado las placas de circuitos. Es posible que, del proceso de ensamblaje, queden partes salientes en las placas de circuitos. Tenga cuidado de no lastimarse con estas partes cuando maneje esta unidad.

Cuidado

Si exterior se ensucia, límpiase con un trapo seco. No use líquidos limpiadores como disolvente, ni compuestos inflamables.

Guarde este manual

Después de leer este manual, guárdelo para futuras consultas.

Mantenga los elementos externos alejados del equipo

Nunca coloque ningún recipiente con líquido cerca de este equipo, podría causar un cortocircuito, fuero o descarga eléctrica. Cuide de que no caiga ningún objeto metálico dentro del equipo.

Si cae algo dentro del equipo, desenchufe el adaptador de CA de la toma de corriente. A continuación, póngase en contacto con el distribuidor Korg más cercano o con el establecimiento donde compró el producto.

Nota respecto a residuos y desechos (solo UE)

Cuando aparezca el símbolo del cubo de basura tachado sobre un producto, su manual de usuario, la batería, o el embalaje de cualquiera de éstos, significa que cuando quiere tire dichos artículos a la basura, ha de hacerlo en acuerdo con la normativa vigente de la Unión Europea. No debe verter dichos artículos junto con la basura de casa. Verter este producto de manera adecuada ayudará a evitar daños a su salud pública y posibles daños al medioambiente. Cada país tiene una normativa específica acerca de cómo verter productos potencialmente tóxicos, por tanto le rogamos que se ponga en contacto con su oficina o ministerio de medioambiente para más detalles. Si la batería contiene metales pesados por encima del límite permitido, habrá un símbolo de un material químico, debajo del símbolo del cubo de basura tachado.

NOTA IMPORTANTE PARA EL CONSUMIDOR

Este producto ha sido fabricado de acuerdo a estrictas especificaciones y requerimientos de voltaje aplicables en el país para el cual está destinado. Si ha comprado este producto por internet, a través de correo, y/o venta telefónica, debe usted verificar que el uso de este producto está destinado al país en el cual reside. AVISO: El uso de este producto en un país distinto al cual está destinado podría resultar peligroso y podría invalidar la garantía del fabricante o distribuidor. Por favor guarde su recibo como prueba de compra ya que de otro modo el producto puede verse privado de la garantía del fabricante o distribuidor.

* Todos los nombres de productos y compañías son marcas comerciales o marcas registradas de sus respectivos propietarios.

Especificaciones

Teclado: teclado de cinta. **Sistema generador de sonido:** 1 VCO, 1 filtro multimodo, 1 EG, 3 LFO. **Efectos:** MOD (CHORUS, ENSEMBLE, PHASER, FLANGER), REVERB, DELAY. **Jacks de entrada/salida:** jack de auriculares (minijack estéreo de 3,5 mm), jack AUDIO IN (minijack estéreo de 3,5 mm), jack SYNC IN (minijack TRS de 3,5 mm, nivel de entrada máximo: 20 V), jack SYNC OUT (minijack TRS de 3,5 mm, nivel de salida: 5 V), jack MIDI IN (minijack TRS de 3,5 mm), puerto USB (tipo B micro).

Alimentación: modo de alimentación por bus USB.

Consumo de corriente: 500 mA o menos.

Dimensiones (an. x pro. x al.): 129 mm x 78 mm x 39 mm. **Peso:** 124 g.

Elementos incluidos: cable USB, manual del usuario.

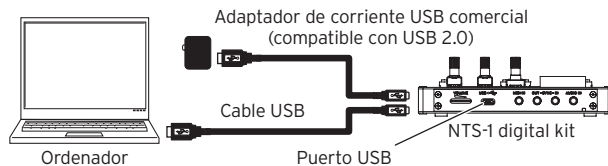
* Las especificaciones y el aspecto están sujetos a cambios sin previo aviso por mejora.

Introducción

Gracias por comprar el kit de sintetizador programable Nu:Tekt NTS-1 digital kit.

El NTS-1 digital kit es un kit de sintetizador para ser montado por el usuario que se puede ensamblar sin necesidad de soldaduras. Cuenta con un oscilador digital inspirado en el prologue y el minilogue xd, un filtro multimodo de modelado analógico, un generador de envolvente de modelado analógico y efectos de modulación, retardo y reverberación. Es compatible con el código logue SDK, lo que le permite cargar sus propios osciladores y efectos personalizados, u otros creados por terceros.

Conexiones y alimentación



Utilice el cable USB incluido para conectar el puerto USB del NTS-1 digital kit a un ordenador, o también puede utilizar un adaptador de corriente que cumpla los estándares USB (5 V CC, 550 mA o superior). La alimentación se encenderá y el dispositivo entrará en modo de reproducción.

⚠ Utilice solo el cable USB suministrado.

⚠ Asegúrese de utilizar un adaptador de CA compatible con USB USB 2.0. Sin embargo, puede haber casos en los que, dependiendo del adaptador de CA USB utilizado, no funcione normalmente incluso aunque sea compatible con las normas.

Apagado de la alimentación

Desconecte el cable USB del NTS-1 digital kit.

Una vez desconectado, todos los LED se oscurecerán (apagados).

MODO DE REPOSO

Después de 15 minutos de inactividad, el dispositivo entrará en modo de reposo. Pulse el botón OSC para reactivar el dispositivo y volver al funcionamiento normal.

Partes y sus funciones

Pantalla: cuando opere con los mandos y botones, el nombre del parámetro o el valor se mostrarán aquí.

Teclado de cinta: pulse con los dedos para reproducir sonidos.

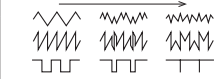
Jack \odot (auriculares): si conecta unos auriculares a este minijack estéreo de 3,5 mm, se silenciará el altavoz interno del NTS-1 digital kit y podrá crear música en privado.

1. Si pulsa los botones MOD (modulación), DELAY (retardo) y REVERB (reverberación), se seleccionará el correspondiente efecto.
2. El mando TYPE y los mandos A y B se pueden utilizar entonces para ajustar los parámetros del efecto seleccionado.

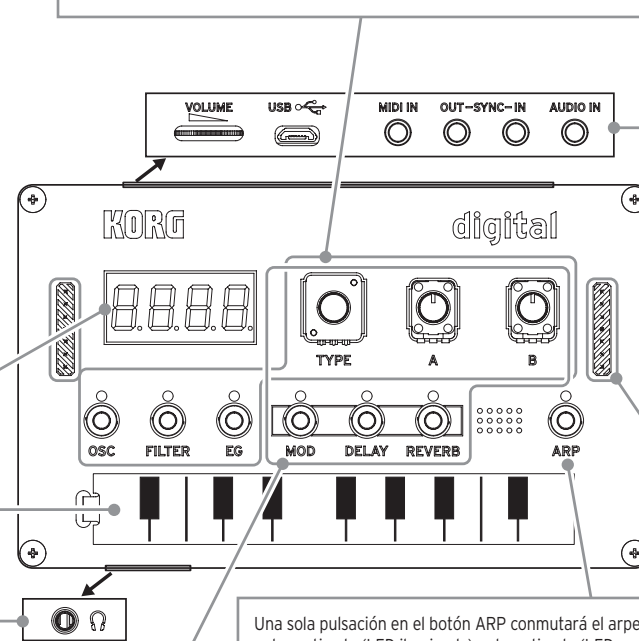
Botones de efectos	Mando TYPE	Mando A	Mando B	Botones de efectos + mando B
MOD	DESACTIVADO (OFF), Chorus (CHORUS), Ensemble (ENSEMBLE), Phaser (PHASER), Flanger (FLANGER) Selecciona el efecto de modulación.	Tiempo (TIME) Establece la velocidad de modulación.		
DELAY	DESACTIVADO (OFF), Estéreo (STEREO), Mono (MONO), Ping Pong (PING PONG), Paso alto (HIGHPASS), Cinta (TAPE) Selecciona el efecto de retardo.	Tiempo (TIME) Establece el tiempo de retardo.	Profundidad (DEPTH) Establece la intensidad del efecto.	Mezcla sin/con efecto: d100-d001, -, w001-w100
REVERB	DESACTIVADO (OFF), Sala grande (HALL), Placa (PLATE), Espacio (SPACE), Riser (RISE), Submarino (SUBMARI) Selecciona el efecto de reverberación.	Tiempo (TIME) Establece el tiempo de reverberación.		Establece el balance sin (d)/con (w) efecto.

Para más información sobre los efectos de usuario, consulte el sitio web de Nu:Tekt (www.nutekt.org).

1. Si pulsa los botones OSC (oscilador), FILTER (filtro) y EG (generador de envolvente), se seleccionará el correspondiente elemento.
2. El mando TYPE y los mandos A y B se pueden utilizar entonces para ajustar los parámetros del elemento seleccionado.

Botones de MODO	Mando TYPE	Mando A	Mando B	Botones de MODO +	
				Mando A	Mando B
OSC	Diente de sierra (SAW), Triangular (TRI), Cuadrada (SQR), VPM (VPM), OSC de usuario* Selecciona la forma de onda. <Cuando se selecciona OSC de usuario*> OSC+TYPE selecciona los parámetros de edición (varía por oscilador).	Forma (SHAPE) Cantidad de forma de onda aplicada. 	Alternativo (ALT) Parámetro alternativo (varía por oscilador). <Cuando se selecciona OSC de usuario*> Establece el valor del parámetro de edición seleccionado.	Velocidad de LFO: F0.0-F30.0 Establece la frecuencia del LFO.	Profundidad de tono/ forma de LFO: P100-P001, -, S001-S100 Establece la cantidad de modulación del tono de afinación (P) o de la forma (S).
FILTER	Paso bajo-2 polos (LP2), Paso bajo-4 polos (LP4), Paso de banda-2 polos (BP2), Paso de banda-4 polos (BP4), Paso alto-2 polos (HP2), Paso alto-4 polos (HP4), DESACTIVADO (OFF) Selecciona el tipo de filtro.	Corte (CUT) Establece la frecuencia de corte, y por tanto altera el brillo del sonido.	Resonancia (RESO) Añade énfasis a los armónicos que ocurren en la frecuencia de corte.	Velocidad de barrido: F0.0-F30.0 Establece la frecuencia del barrido de corte.	Profundidad del barrido de corte: u100-u001, -, d000-d100 Establece la dirección, arriba (u) o abajo (d), y la profundidad del barrido de corte.
EG	ADSR (ADSR), AHR (AHR), AR (AR), bucle AR (ARLOOP), Abierto (OPEN) Selecciona el tipo de EG de la amplitud.	Ataque (ATTACK) Establece el tiempo requerido para que el EG alcance su máximo nivel una vez que se toca una nota.	Liberación (RELEASE) Establece el tiempo requerido para que el EG llegue a "0" una vez que una nota ha finalizado.	Velocidad de trémolo: F0.0-F60.0 Establece la frecuencia de trémolo.	Profundidad de trémolo: d000-d100 Establece la profundidad de trémolo.

* OSC de usuario: viene precargado con "USER". Para más información sobre OSC de usuario, consulte el sitio web de Nu:Tekt (www.nutekt.org).



VOLUME: establece el volumen de la señal enviada al altavoz y al jack \odot (auriculares). **Jack AUDIO IN:** entrada de audio estéreo. El recorte de ganancia y la ruta de mezcla se pueden establecer mediante parámetros globales.

Jacks IN-SYNC-OUT (SYNC IN, SYNC OUT): Estos jacks permiten sincronizar el NTS-1 digital kit con otro volca, monoribe u otro equipo Korg, incluido un secuenciador analógico o una estación de trabajo de audio digital (DAW). La polaridad de los jacks SYNC se puede configurar utilizando los parámetros globales.

Jack SYNC OUT: se envía un pulso de 15 ms y 5 V al principio de cada paso. **Jack SYNC IN:** si este jack está conectado, se ignorará el reloj de pasos interno y la función ARP del NTS-1 digital kit avanzará de acuerdo a los pulsos recibidos aquí.

Jack MIDI IN: conectando un cable MIDI a esta entrada, el NTS-1 digital kit se puede tocar y controlar a través de la salida MIDI de un dispositivo externo (Consulte el sitio web de Nu:Tekt). Puede descargar la tabla de implementación MIDI desde el sitio web de Nu:Tekt.

Puerto USB: utilice este puerto USB para conectar el NTS-1 digital kit a un ordenador o a una fuente de alimentación USB de las que se compran en establecimientos comerciales.

⚠ Tenga cuidado de no tocar las conexiones metálicas, ya que podría provocar cortocircuitos o fallos.

Parámetros globales

1. Con el botón REVERB pulsado, encienda el NTS-1 digital kit.
2. Seleccione un parámetro global con el mando TYPE y cambie su valor con el mando B. El valor actual se muestra en la parte derecha de la pantalla. Si decide cancelar los ajustes, pulse el botón REVERB.
3. Cuando haya terminado de especificar los ajustes, pulse el botón ARP. Los ajustes se guardarán y el NTS-1 digital kit se reiniciará.

Mando TYPE	Mando B
Ruta de entrada (IN)	0*: antes de modulación, 1: antes de retardo, 2: antes de reverberación, 3: antes de volumen gral. 4: después de volumen gral.
Recorte de entrada (ENT)	0: 0 dB, 1: -1 dB, 2: -2 dB, 3: -3 dB, 4: -4 dB, 5: -5 dB, 6*: -6 dB, 7: -7 dB, 8: -8 dB, 9: -9 dB, A: -10 dB, B: -12 dB, C: -16 dB, D: -24 dB, E: -48 dB, F: -64 dB
Polaridad de salida de sincronización (SYO)	0*: alta activa, 1: baja activa
Polaridad de entrada de sincronización (SYI)	0*: alta activa, 1: baja activa
Intervalo de tiempo (TRP)	0*: estrecho, 1: ancho
Fuente de reloj MIDI (CLK)	0: interno, 1*: auto
Mensaje corto/MIDI RX (SHR)	0: desactivado, 1*: activado
Ruta MIDI (RTE)	0*: USB+MIDI, 1: USB
Canal MIDI (CHN)	0*-F: 1-16
Unidad de entrada/salida de sincro (STEP)	0*: 2 pasos, 1: todos los pasos
EG Legato (LEG)	0: desactivado, 1*: activado
Mode de reposo (SLP)	0: desactivado, 1*: activado
Calibración de los sensores táctiles (TRL)	Consulte el sitio web de Nu:Tekt

*: Ajuste predeterminado de fábrica

Ja 安全上のご注意

ご使用になる前に必ずお読みください

ここに記載した注意事項は、製品を安全に正しくご使用いただき、あなたや他の方々への危害や損害を未然に防ぐためのものです。
注意事項は誤った取り扱いで生じる危害や損害の大きさ、または切迫の程度によって、内容を「警告」「注意」の2に分けています。これらは、あなたや他の方々の安全や機器の保全に関わる重要な内容ですので、よく理解した上で必ずお守りください。

火災・感電・人身障害の危険を防止するには

図記号の例

	△記号は、注意(危険、警告を含む)を示しています。記号の中には、具体的な注意内容が描かれています。左の図は「一般的な注意、警告、危険」を表しています。
	⊘記号は、禁止(してはいけないこと)を示しています。記号の中には、具体的な注意内容が描かれることがあります。左の図は「分解禁止」を表しています。
	●記号は、強制(必ず行うこと)を示しています。記号の中には、具体的な注意内容が描かれることがあります。左の図は「電源プラグをコンセントから抜くこと」を表しています。

以下の指示を守ってください

警告

この注意事項を無視した取り扱いをすると、死亡や重傷を負う可能性があります。

- ACアダプターのプラグは、必ずAC100Vの電源コンセントに差し込む。
- ACアダプターのプラグにほこりが付着している場合は、ほこりを拭き取る。感電やショートの恐れがあります。
- 本製品はコンセントの近くに設置し、ACアダプターのプラグへ容易に手が届くようにする。
- 次のような場合には、直ちに使用を中止する。
 - ACアダプターが破損したとき
 - 異物が内部に入ったとき
 - 製品に異常や故障が生じたとき修理が必要なときは、お客様相談窓口へ依頼してください。
- 修理、部品の交換などで、取扱説明書に書かれてること以外は絶対にしない。
- ACアダプターのコードを無理に曲げたり、発熱する機器に近づけない。また、ACアダプターのコードの上に重いものをのせない。コードが破損し、感電や火災の原因になります。
- 大音量や不快な程度の音量で長時間使用しない。大音量で長時間使用すると、難聴になる可能性があります。万一、聴力低下や耳鳴りを感じたら、専門の医師に相談してください。
- 本製品に異物(燃えやすいもの、硬貨、針金など)を入れない。
- 温度が極端に高い場所(直射日光の当たる場所、暖房機器の近く、発熱する機器の上など)で使用や保管をしない。
- 振動の多い場所で使用や保管をしない。
- ホコリの多い場所で使用や保管をしない。
- 風呂場、シャワー室で使用や保管をしない。
- 雨天時の野外のように、湿気が多い場所や水滴のかかる場所で、使用や保管をしない。
- 本製品の上に、花瓶のような液体が入ったものを置かない。
- 本製品に液体をこぼさない。
- 濡れた手で本製品を使用しない。

注意

この注意事項を無視した取り扱いをすると、傷害を負う可能性または物理的損害が発生する可能性があります。

- 正常な通気が妨げられない所に設置して使用する。
- テレビ、電子機器などから十分に離して使用する。本製品をテレビ等の横に設置すると、本製品の磁場によってテレビ等の故障の原因になることがあります。
- 外装のお手入れは、乾いた柔らかい布を使って軽く拭く。
- ACアダプターをコンセントから抜き差しするときは、必ずプラグを持つ。
- 使用時に突起などでケガをしないよう注意する。組み立て工程時に突起が生じることがあります。
- 長時間使用しないときは、ACアダプターをコンセントから抜く。
- 付属のACアダプターは、他の電気機器で使用しない。付属のACアダプターは本製品専用です。他の機器では使用できません。
- 指定のACアダプター以外は使用しない。
- 他の電気機器の電源コードと一緒にタコ足配線をしない。本製品の定格消費電力に合ったコンセントに接続してください。
- スイッチやツマミなどに必要以上の力を加えない。故障の原因になります。
- 外装のお手入れに、ペンジンやシンナー系の液体、コンパウンド質、強燃性のポリッシュを使用しない。
- 不安定な場所に置かない。本製品が落下してお客様がけがをしたり、本製品が破損したりする恐れがあります。
- 本製品の上に乗ったり、重いものをのせたりしない。本製品が落下または損傷してお客様がけがをしたり、本製品が破損したりする恐れがあります。
- 本製品の隙間に指などを入れない。お客様がけがをしたり、本製品が破損する恐れがあります。
- 本製品に前後方向から無理な力を加えない。本製品が落下してお客様がけがをしたり、本製品が破損する恐れがあります。
- 基板を触った手で目をこすったり、その手を舐めない。

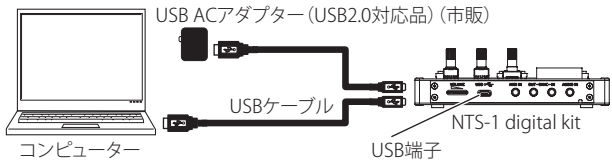
* すべての製品名および会社名は、各社の商標または登録商標です。

はじめに

このたびは、Nu:Tektプログラマブル・シンセサイザー・キットNTS-1 digital kitをお買い上げいただきまして、まことにありがとうございます。

NTS-1 digital kitは、簡単に組み立てられるコンパクトなDIYシンセサイザー・キットです。“prologue”、“minilogue xd”から継承されたデジタル・オシレーターに加え、アナログ・モデリングのフィルター、エンベロープ・ジェネレーター、デジタル・エフェクト(モジュレーション、リバーブ、ディレイ)を搭載しています。logue SDKと互換性があり、自作またはサード・パーティ製のオシレーターやエフェクトをロードすることができます。

接続と電源の入れ方



付属のUSBケーブルで、NTS-1 digital kitとコンピューターのUSB端子、または市販のUSB規格準拠のACアダプター(DCSV 550mA以上)を接続します。電源が入り、プレイ・モードに入ります。

▲必ず付属のUSBケーブルを使用してください。

▲必ずUSB2.0規格に準拠したACアダプターを使用してください。ただし、使用するUSB ACアダプターによっては規格に準拠したものでも、正常に動作しない場合があります。

電源の切り方

NTS-1 digital kitからUSBケーブルを外します。

NTS-1 digital kitの電源が切れます。

スリープ機能

ノブやリボン鍵盤を操作せずに約15分経過すると、スリープ状態に入ります。スリープ状態から復帰するときはOSCボタンを押します。

各部の名称と機能

ディスプレイ: ノブやボタンを操作すると、パラメーター名や値が表示されます。

リボン鍵盤: 指で押すと発音します。

○(ヘッドホン)端子: ヘッドホン(ステレオ・ミニ・プラグ)を接続します。接続すると、内蔵スピーカーから音が出ません。

- MOD、DELAY、REVERBのFXボタンを押して、エディットするエフェクトを選びます。
- TYPE、A、Bノブを回す、またはFXボタンを押しながらBノブを回して、各設定をします。

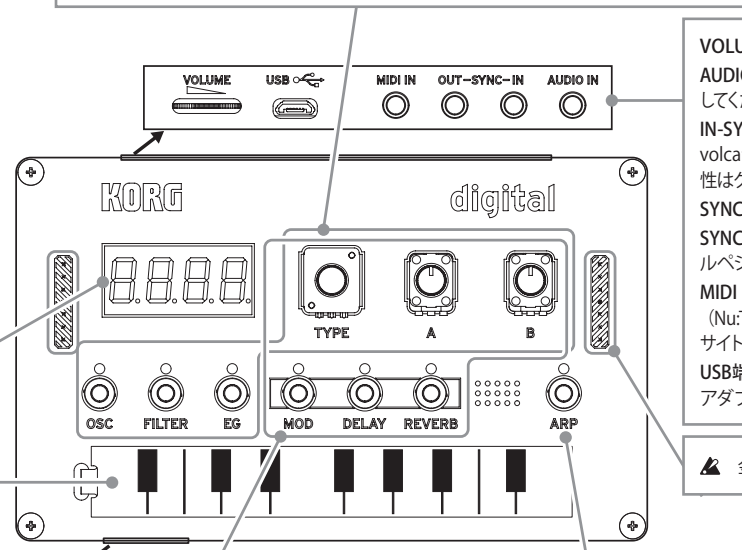
FXボタン	TYPEノブ	Aノブ	Bノブ	FXボタン + Bノブ
MOD	OFF (OFF), Chorus (CHORUS), Ensemble (ENSEMBLE), Phaser (PHASER), Flanger (FLANGER)	Time (TIME)モジュレーション・スピードを調節する。		
DELAY	OFF (OFF), Stereo (STEREO), Mono (MONO), Ping Pong (PING PONG), High Pass (HIGH PASS), Tape (TAPE)	Time (TIME)ディレイ・タイムを調節する。	Depth (DEPTH)エフェクト効果の深さを調節する。	Dry/wet mix: d100-d001, --, w001-w100
REVERB	OFF (OFF), Hall (HALL), Plate (PLATE), Space (SPACE), Riser (RISER), Submarine (SUBMARINE)	Time (TIME)リバーブ・タイムを調節する。		エフェクトのドライ/ウェット・バランスを調節する。

ユーザー・エフェクトについては、Nu:Tektウェブサイト(www.nutekt.org)をご覧ください。

- OSC、FILTER、EGのMODEボタンを押して、エディットするモードを選びます。
- TYPE、A、Bノブを回す、またはMODEボタンを押しながらA、Bノブを回して、各設定をします。

MODEボタン	TYPEノブ	Aノブ	Bノブ	MODEボタン +	
				Aノブ	Bノブ
OSC	ノコギリ波(SAW), 三角波(TRI), 矩形波(SQR), パルス波(PUL), User OSC* 波形的を選択する。 <User OSC*選択時> OSCボタン+TYPEノブでエディット・パラメーターを選択する。(パラメーターは、オシレーターごとに異なる)	Shape (SHAPE)オシレーターの波形成形の量 	Alternate (ALTE)オシレーターごとに割り当てられたパラメーターを調節する。 <User OSC*選択時> エディット・パラメーター値を設定する。	LFO rate: F0.0-F30.0 LFO周波数のスピードを調節する。	Pitch/shape LFO depth: P100-P001, --, S001-S100 PitchまたはShapeにかけるモジュレーションの深さを調節する。
FILTER	Low pass-2 pole (LP2), Low pass-4 pole (LP4), Band pass-2 pole (BP2), Band pass-4 pole (BP4), High pass-2 pole (HP2), High pass-4 pole (HP4), OFF (OFF) フィルターを選択する。	Cutoff (CUT)カットオフ周波数を調節する。オシレーターの周波数成分を削ったり強調したりして、音の明暗を調節する。	Resonance (RES)カットオフ周波数付近の倍音成分を強調して、音にくせを付ける。	Sweep rate: F0.0-F30.0 カットオフ・スイープを調節する。	Cutoff sweep depth: u100-u001, --, d000-d100 カットオフ・スイープの深さ(Up/Down)を調節する。
EG	ADSR (ADSR), AHR (AHR), AR (AR), AR loop (AR LOOP), Open (OPEN) アンプEGを選択する。	Attack (ATT)ノート・オン(鍵盤を押す)からエンベロープの最大値に到達するまでの時間を調節する。	Release (REL)ノート・オフ(鍵盤を離す)からレベルが0になるまでの時間を調節する。	Tremolo rate: F0.0-F60.0 トレモロのスピードを調節する。	Tremolo depth: d000-d100 トレモロの深さ(Depth)を調節する。

* User OSC: 工場出荷時はwaves (WAVES)。User OSCについては、Nu:Tektウェブサイト(www.nutekt.org)をご覧ください。



VOLUME: スピーカー、および○(ヘッドホン)端子の出力音量を調節します。AUDIO IN端子: CD、またはMP3プレーヤーなどを接続します。音量は接続した機器で調節してください。ゲインの設定とルーティングは、グローバル・パラメーターで設定できます。IN-SYNC-OUT (SYNC IN, SYNC OUT) 端子: シンク・ケーブルでNTS-1 digital kitとvolcaシリーズまたはmonotribeなどの機器を接続し、両方の機器を同期させます。極性はグローバル・パラメーターで設定できます。SYNC OUT端子: ステップのはじめに15msのパルスで5Vで出力します。SYNC IN端子: 接続した外部機器のシーケンサーを開始してからNTS-1 digital kitのアルペジエーターを開始すると、アルペジエーターは外部のシーケンサーに同期します。MIDI IN端子: 外部MIDI機器と接続してNTS-1 digital kitの音源をコントロールします(Nu:Tektウェブサイトを参照)。MIDIインプリメンテーション・チャートはNu:Tektウェブサイトからダウンロードしてください。USB端子: 付属のUSBケーブルでコンピューター、または市販のUSB規格準拠のACアダプターと接続します。

▲ 金属に接触すると、ショートして故障することがありますので、注意してください。

グローバル・パラメーター

- REVERBボタンを押しながら電源を入れます。
- TYPEノブで変更するグローバル・パラメーターを選択し、Bノブで値を変更します。ディスプレイの右側に現在の値を表示します。キャンセルする場合はREVERBボタンを押します。
- 設定が終了したらARPボタンを押します。設定が保存され、NTS-1 digital kitが再起動します。

TYPEノブ	Bノブ
Input route (INR)オーディオ・インのルーティング	0*: modの前, 1: delayの前, 2: reverbの前, 3: masterの前, 4: masterの後
Input trim (TRN)インプット・トリム	0: 0dB, 1: -1dB, 2: -2dB, 3: -3dB, 4: -4dB, 5: -5dB, 6*: -6dB, 7: -7dB, 8: -8dB, 9: -9dB, A: -10dB, B: -12dB, C: -16dB, D: -24dB, E: -48dB, F: -64dB
Sync Outの極性 (SYO)	0*: 立ち上がり, 1: 立ち下がり
Sync Inの極性 (SYI)	0*: 立ち上がり, 1: 立ち下がり
Tempoレンジ (TMP)	0*: narrow, 1: wide
MIDIクロック・ソース (CLC)	0: 内部クロック, 1*: 外部入力の有無によって、外部クロックまたは内部クロックが切り替わる。
MIDI RX/short message (SHR)	0: off, 1*: on
MIDIレート (RLT)	0*: USB+MIDI, 1: USB
MIDIチャンネル (CHN)	0*-F: 1-16
Sync入出力単位 (SEP)	0*: 2ステップに1回, 1: 1ステップに1回
EGLゲート (LGT)	0: off, 1*: on
スリープ機能 (SLP)	0: off, 1*: on
リボン鍵盤のキャリブレーション (CAL)	Nu:Tektウェブサイトを参照

*: 工場出荷時の設定です。