

# T21Z5816AMS-CS2

21X 5.8~121.8 mm F1.6  
for 1/3" format cameras  
CS-Mount

Model No.	T21Z5816AMS-CS2		Effective	Front	φ 53.2 mm
Focal Length	5.8~121.8mm		Lens Aperture	Rear	φ 10.6mm
Max. Aperture Ratio	1 : 1.6		Back Focal Length	13.6 mm	
Max. Image Format	4.8 x 3.6mm (φ 6mm)		Flange Back Length	12.5 mm	
Operation Range	Iris	F1.6 ~ 560	Mount	CS-Mount	
	Focus	1.5m ~ Inf.	Filter Size	M62 P=0.75 mm	
	Zoom	5.8~121.8mm	Tripod Screw	1/4"-20UNC	
Control	Iris	Auto Iris(by galvanometer)	Dimensions	W70 x H81 x D126.5mm	
	Focus	Motorized	Weight	680g	
	Zoom	Motorized			
Object Dimension at M.O.D.	5.8mm	123.7 x 91.1cm			
	121.8mm	6.0 x 4.7cm			
Angle of View	D	55.5~2.9°			
	H	44.8~2.3°			
	V	33.8~1.8°			
Control	Iris	Focus	Zoom		
Supply Voltage	DC8.5 ~ 16V	DC8V	DC8V		
Current	40mA or less	40mA or less	40mA or less		
Response Time	Approx. 2 sec.	Approx. 5 sec.	Approx. 4.5 sec.		
Preset Potentiometer	-		-	-	
Light Weighting Method	Adjustable between Average - Peak ( to be set at Average at factory )				
Remote Control	Level (VL 1.5 - 5.5V) & ALC(VA 4.0 - 5.5V)				
Input Signal	Video Signal ( V or VS )				
Iris Accuracy	± 15% at Video Signal Level				
Sensitivity Adjustment	0.5~1.0Vp-p ( Video Signal )				
Input Impedance	High Impedance				
Operating Temperature	-10 ~ +50° C				

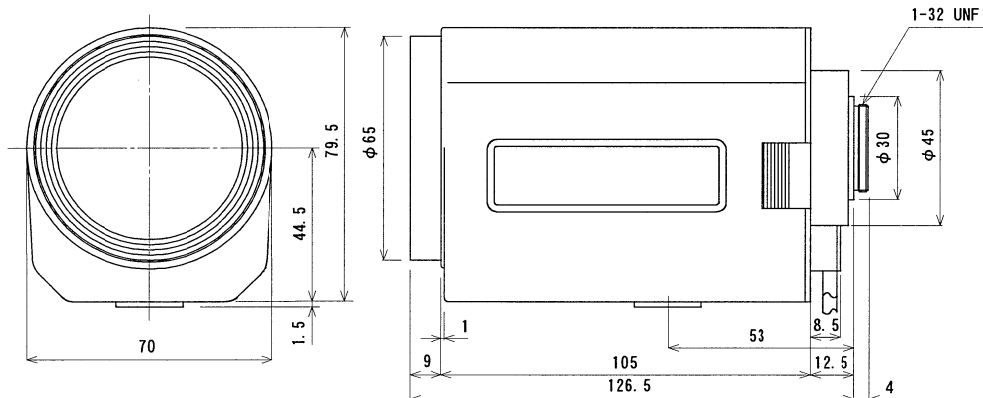
1/3

CS

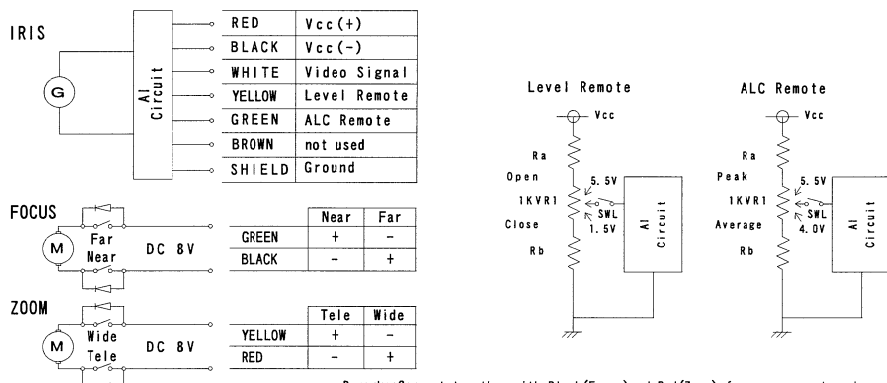
ZA

M.O.D. : Minimum Object Distance

Dimensions



Wiring Diagram



Remarks: Connect together with Black(Focus) and Red(Zoom) for common system when necessary.