

7 in. and 10.1 in. Tabletop Touch Screens, Government Version

The Crestron® [TS-770-GV](#) and [TS-1070-GV](#) are tabletop touch screens that feature web browsing, Smart Graphics® software and HTML5 UI technology, custom-programmable virtual buttons, H.265/H.264 streaming video, and PoE+ (Power over Ethernet Plus) network power. The touch screens also provide built-in applications for room scheduling, conferencing, and home control.

The TS-770-GV and TS-1070-GV are modified versions of the TS-770 and TS-1070 series touch screens, which eliminate the microphone, the Bluetooth® communications beacon, and Wi-Fi® network connectivity to comply with government applications demanding extra privacy and security.

NOTE: The TS-770-GV and TS-1070-GV are functionally similar. For simplicity within this guide, the term "touch screen" is used except where otherwise noted.



In the Box

- 1 TS-770-GV or TS-1070-GV*, Tabletop Touch Screens

Additional Items

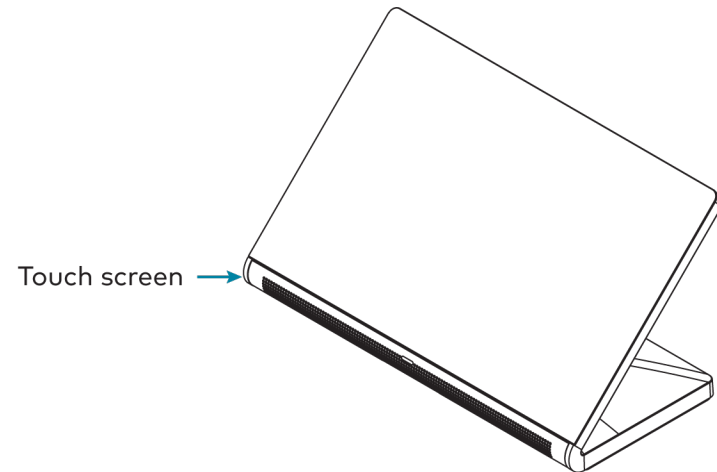
- 1 Grommet, Cable, Closed (2055455)
- 1 Grommet, Cable, Open (2055456)
- 1 Cover, Cable Compartment (2055457)

* Refer to the TS-770-GV-B-S and TS-1070-GV-B-S product pages at www.crestron.com for a complete list of color variations.



Place the Touch Screen

The touch screen may be placed on any flat, level surface such as a desk, conference table, lectern, or podium. The rubber strips on the bottom of the touch screen prevent it from moving easily.

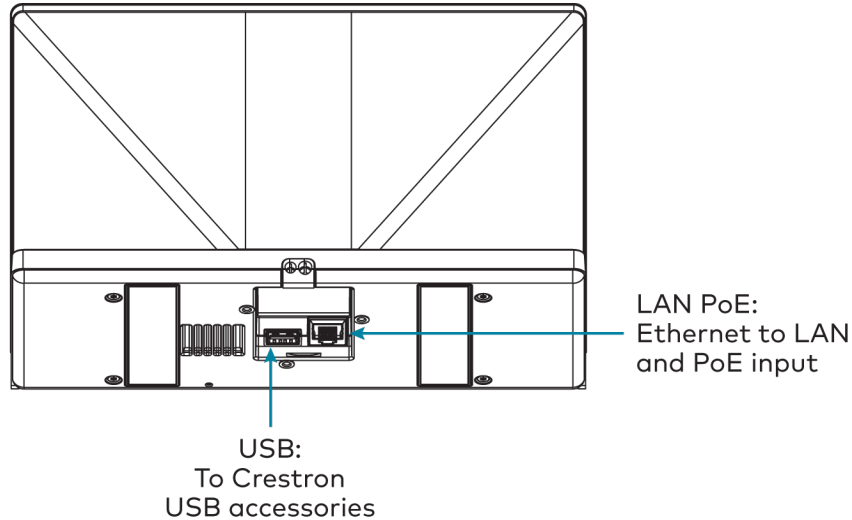


NOTE: To clean or disinfect a touch screen display, use a soft, clean, damp (not wet) cloth with any commercially available non-ammonia glass cleaner or disinfectant cleaner. Bezels do not provide a complete watertight seal, so apply cleaning solution to the cloth rather than the surface of the touch screen. Wipe the touch screen clean and avoid ingress of moisture beneath the bezels.

7 in. and 10.1 in. Tabletop Touch Screens, Government Version

Connect the Touch Screen

Route all necessary cables to the touch screen, and then make connections to the bottom of the touch screen.



Observe the following when connecting the touch screen:

- Power and data connection is provided to the touch screen by a single Ethernet cable. A Crestron PoE (Power over Ethernet) power supply, such as the PWE-4803RU, or a PoE-capable network switch is recommended (both not included).
- The USB port is used to connect compatible Crestron LED accessories to the touch screen.

NOTE: The TS-770-GV may use either PoE or PoE+ to supply power to compatible LED accessories over USB; the TS-1070-GV must use only PoE+ to supply power to LED accessories over USB.

- Apply power after all connections have been made.

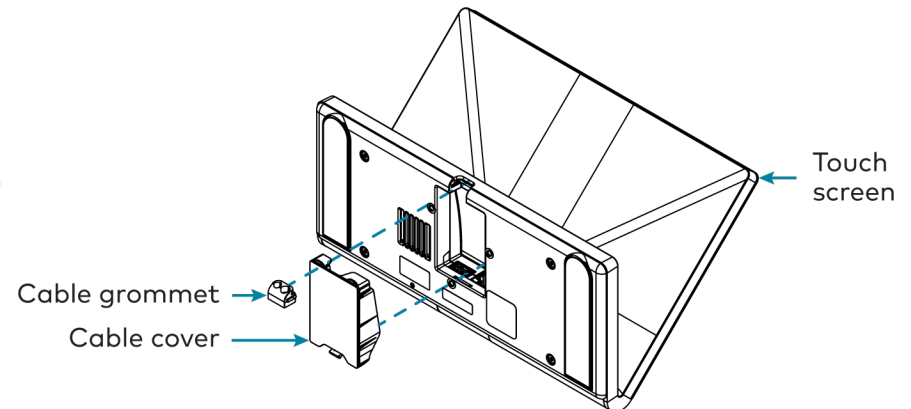
Install the Cable Grommet

The touch screen ships with two cable grommets that can be used depending on the planned cable route to the touch screen:

- Use the open grommet if cables will be routed out from the rear of the touch screen. A cable compartment cover is also provided for this installation.
- Use the closed grommet if cables will be routed from underneath the touch screen.

To install the cable grommet:

1. If using the open grommet, push the cables into the openings in the grommet.
2. Push the grommet into its slot on the bottom of the touch screen so that the two tabs on either side of the grommet engage the slots in the touch screen.
3. If using the open grommet, slide the cable compartment cover into its slot on the bottom of the touch screen so that the front tab engages the latch.



7 in. and 10.1 in. Tabletop Touch Screens, Government Version

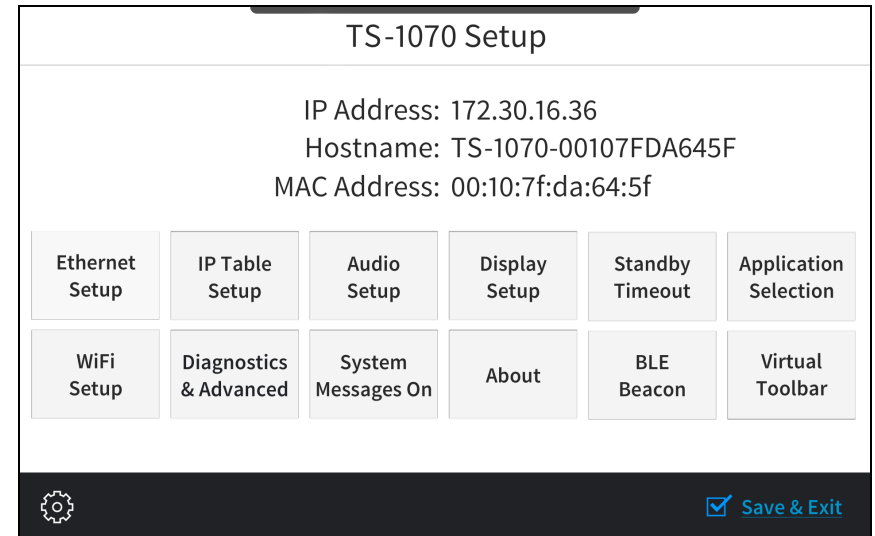


Configure the Touch Screen

When power is applied for the first time, the following screen is displayed. The touch screen may take up to two minutes to boot.



Touch the screen to display the main Setup screen (TS-1070 shown).



Device settings for the touch screen may be configured using the built-in setup screens or the web configuration interface. For more information on configuring the touch screen, refer to the [TS-770 and TS-1070 Product Manual \(Doc. 8555\)](#).

Access the Device Setup Screens

To access the built-in setup screens, place five fingers on the display and hold for 15 seconds.

Use the setup screens to configure various settings for the touch screen, including Ethernet setup, IP table setup, audio setup, display setup, standby timeout, application selection, diagnostics, and the virtual toolbar.

7 in. and 10.1 in. Tabletop Touch Screens, Government Version

Access the Web Configuration Interface

The touch screen provides a web configuration interface that is used to view and configure various touch screen settings and to select an application. The interface can be accessed using the touch screen IP address or the XiO Cloud® service.

Touch Screen IP Address

To access the web configuration interface using the touch screen IP address:

1. Ensure that the touch screen is connected to the network.
2. Use the Device Discovery tool in Crestron Toolbox™ software to discover the touch screen and its IP address on the network.
3. Enter the control system IP address into a web browser.

XiO Cloud Service

The XiO Cloud service allows supported Crestron devices across an enterprise to be managed and configured from one central and secure location in the cloud. Supported devices are configured to connect to the service. Use of the service requires a registered XiO Cloud account.

NOTE: The device may be disconnected from the service by navigating to the Cloud Services tab in Crestron Toolbox software (**Functions > Device Info > Cloud Services**). For details, refer to the Crestron Toolbox help file.

To access the web configuration interface using the XiO Cloud service:

1. Record the MAC address and serial number that are labeled on the shipping box or rear panel of the device. The MAC address and serial number are required to add the device to the service.
2. Do either of the following:
 - For existing accounts, access the XiO Cloud service at <https://portal.crestron.io>.
 - For new accounts, register for a XiO Cloud account at www.crestron.com/xio-cloud-registration.
3. Claim the device to the service as described in the [XiO Cloud User Guide \(Doc. 8214\)](#).
4. Select the device from the cloud interface to view its settings.

Set the Time Zone

The time zone must be set on the touch screen if it will not be paired with a control system IP table.

To set the time zone:

1. Access the web configuration interface using either the touch screen IP address or the XiO Cloud service.
2. Select the **Settings** tab.
3. Navigate to **System Setup > Time/Date**.
4. Select the time zone where the touch screen will be used from the **Time Zone** drop-down menu.
5. Click **Save Changes** on the top right of the screen.

7 in. and 10.1 in. Tabletop Touch Screens, Government Version



Create an Admin Account

The first time the web configuration interface is accessed, a dialog box is displayed asking the user to create an admin account. A similar message is displayed when connecting to the device in Crestron Toolbox software if an admin account has not already been created.

To create an admin account:

1. Enter a username and password for the admin account in the appropriate text fields.

CAUTION: Do not lose the username and password for the admin account, as the device must be reset to factory settings to regain access.

2. Click **OK**. A dialog box is displayed stating that enabling authentication will restart the web session.
3. Click **Yes** to confirm and restart. The username and password created in step 1 must be entered to regain access to the web configuration interface.

NOTE: The username and password must also be entered when connecting to Crestron Toolbox or XPanel.



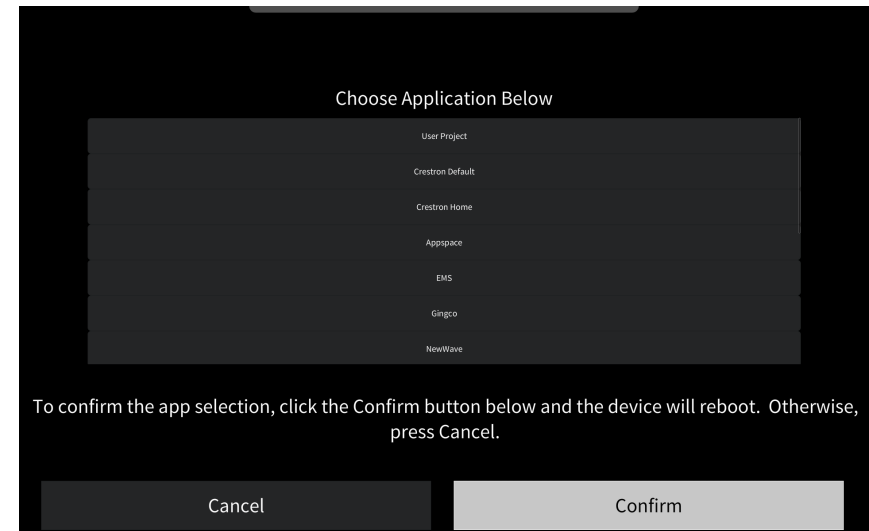
Select an Application

The touch screen ships with various built-in applications. An application may be selected from the default project that ships with the touch screen.

NOTE: Applications can be selected and configured from the device setup screens or from the web configuration interface at any time. For more information, refer to the [TS-770 and TS-1070 Product Manual \(Doc. 8555\)](#).

To select a touch screen application:

1. Tap **Touch Here to Enable a Specific Application** on the device splash screen. Refer to the first image in [Configure the Touch Screen](#).
2. Select the desired touch screen application from the **Choose Application Below** menu that is displayed.



3. Click **Confirm**. The touch screen reboots to display the user interface for the selected application.

7 in. and 10.1 in. Tabletop Touch Screens, Government Version

If a custom user project will be used, tap **User Project**. Custom user projects can be uploaded using the web configuration interface or Crestron Toolbox software.



Visit the Product Pages

Scan the QR code to visit the product page.

TS-770-GV



www.crestron.com/model/6510832

TS-1070-GV



www.crestron.com/model/6510833

Additional Information

Original Instructions

The U.S. English version of this document is the original instructions. All other languages are a translation of the original instructions.

Crestron product development software is licensed to Crestron dealers and Crestron Service Providers (CSPs) under a limited nonexclusive, nontransferable Software Development Tools License Agreement. Crestron product operating system software is licensed to Crestron dealers, CSPs, and end-users under a separate End-User License Agreement. Both of these Agreements can be found on the Crestron website at www.crestron.com/legal/software_license_agreement.

The product warranty can be found at www.crestron.com/warranty.

The specific patents that cover Crestron products are listed at www.crestron.com/legal/patents.

Certain Crestron products contain open source software. For specific information, visit www.crestron.com/opensource.

Crestron, the Crestron logo, Crestron Toolbox, Crestron XiO Cloud, Rava, and Smart Graphics are either trademarks or registered trademarks of Crestron Electronics, Inc. in the United States and/or other countries. Bluetooth is either a trademark or registered trademark of Bluetooth SIG, Inc. in the United States and/or other countries. Wi-Fi is either a trademark or registered trademark of Wi-Fi Alliance in the United States and/or other countries. Other trademarks, registered trademarks, and trade names may be used in this document to refer to either the entities claiming the marks and names or their products. Crestron disclaims any proprietary interest in the marks and names of others. Crestron is not responsible for errors in typography or photography.

©2020 Crestron Electronics, Inc.

Doc ID 8776A

07/28/20