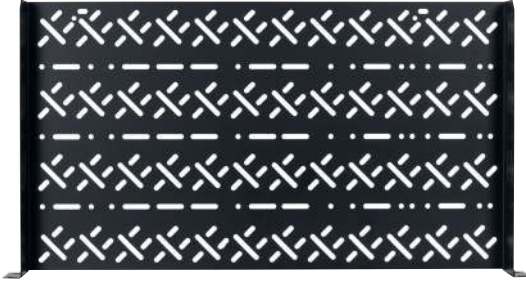


Rack Utility Shelf w/Multiple Mounting Slots #USM-110 Series

rackmount utility shelf with punched base
1U x 10"D x 19"W



Front view



Top view



features

- **Panel Space:** 1U or 1.75" [44]
- **Overall Depth:** 10.00" [254]
- **Overall Width:** 19.00" [483]
- **Usable Width:** 17.56" [446]
- **Description:** Steel utility shelf with multiple mounting holes and slots features a variety of tie-down points to accommodate small devices and non-rackmount components such as audio, video, switching, and remote power control modules. The shelf mounts to standard 19" E.I.A. compliant racks.
- **Construction:** 16-gauge certified U.S. steel
- **Finish:** Smooth black powder epoxy finish
- **Base:** Unique hole and slot arrangement in base is designed to accommodate a variety of device mounting patterns, while contributing to enhanced ventilation.
- **Front/Back:** Open front and back (no flanges)
- **Sides:** Shelf sides feature slots to accommodate wires and cables.
- **Load Capacity:** 25 lbs.
- **Compliance:** E.I.A./T.I.A.
- **Origin:** Made in the U.S.A.
- **Compatibility:** With its variety of tie-down points and slots, this rackmount shelf is ideal for Lowell standalone remote power controls (RPC Series, RPC-P Series), sequencers (SEQ-4, SEQ-8, SEQ-P4), and relays (RY-2A, RY-4A, RY-P1, RY-P2), as well as a variety of similar devices.

a&e specifications

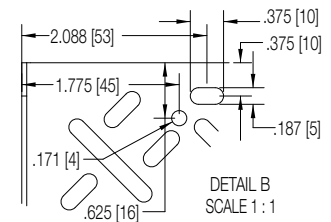
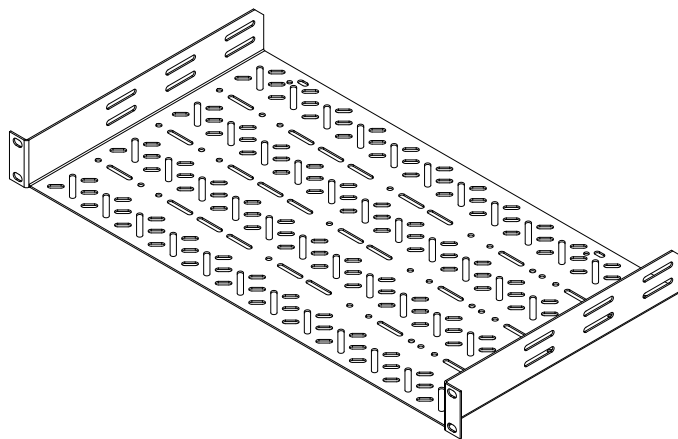
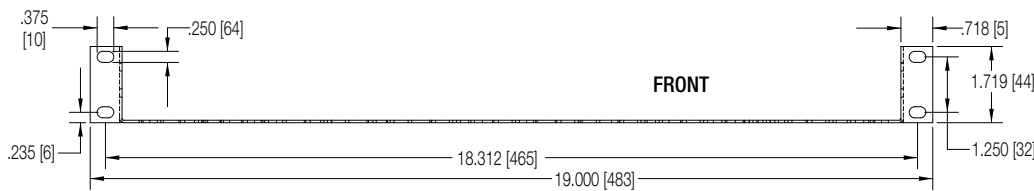
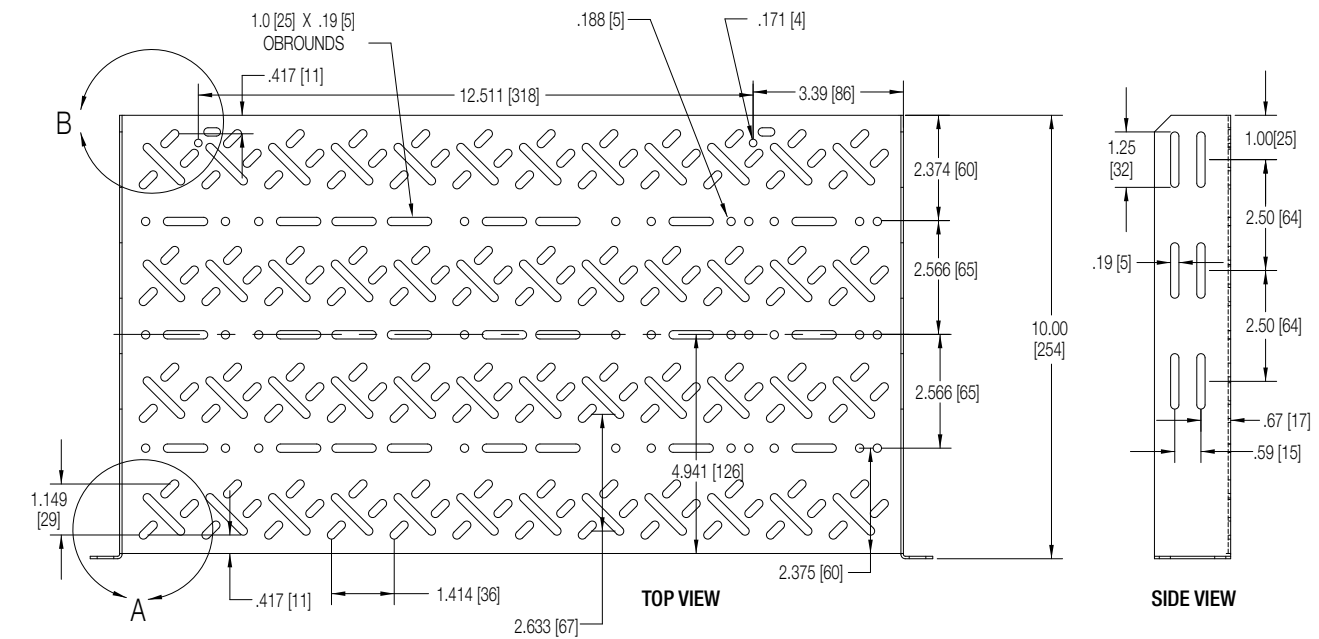
The 1U rackmount utility shelf with multiple mounting slots in the base shall be Lowell model #USM-110. It shall be 16-gauge certified U.S. steel construction with a smooth black powder epoxy finish. The base shall feature multiple holes and slots to provide tie-down positions for a variety of small devices and modules. The sides shall feature slots, while the front and back shall be open (no flanges). Overall shelf dimensions shall be 19"W x 10"D x 1.75". The shelf shall be made in the U.S.A. and have a load capacity of 25 lbs.

USM series summary

Model No.	Panel Space	Overall Width	Useable Width	Overall Depth	Overall Height	Load Capacity	Material	Carton Pack
USM-110	1 U	19.00 [483]	17.56 [446]	10.00 [254]	1.72 [44]	25 lbs. [11 kg]	16-ga. steel	1
USM-110CC	1 U	19.00 [483]	17.56 [446]	10.00 [254]	1.72 [44]	25 lbs. [11 kg]	16-ga. steel	12 pk
USM-110MC	1 U	19.00 [483]	17.56 [446]	10.00 [254]	1.72 [44]	25 lbs. [11 kg]	16-ga. steel	50 pk
USM-210	2 U	19.00 [483]	17.56 [446]	10.00 [254]	3.44 [87]	25 lbs. [11 kg]	16-ga. steel	1
USM-210CC	2 U	19.00 [483]	17.56 [446]	10.00 [254]	3.44 [87]	25 lbs. [11 kg]	16-ga. steel	6 pk

Dimensions = inches [mm]; 1U = 1.75"





NOTE: NOT A SYMMETRICAL PATTERN

