

## Retrofit Mounting Brackets and Rack Mount Kits for TSW-70 Series

The Crestron® TSW-70-RMB series retrofit mounting brackets and TSW-70-RMK series rack mount kits provide versatile mounting solutions for TSW-70 series touch screens.

- [TSW-770/1070-RMB-1](#), [TSW-770/1070-RMB-2](#), and [TSW-1070-RMB-3](#) brackets mount over an existing back box, mounting kit, or cutout for a wall-mounted Crestron touch screen.
- [TSW-570/770-RMK-1](#) and [TSW-1070-RMK-2](#) rack mount kits permit mounting the touch screen into an equipment rack.

This document describes installation procedures for each of the solutions above.



### In the Box

- 1 TSW-770/1070-RMB-1, TSW-770/1070-RMB-2, TSW-1070-RMB-3, TSW-570/770-RMK-1, or TSW-1070-RMK-2, Mounting Bracket or Rack Mount Kit

#### TSW-770/1070-RMB-1 Only

- 1 Bracket, Adapter, APAD (2055401)
- 2 Bracket, Mounting, LC/CT-1000 (4001193)
- 1 Cover Plate, Adapter, APAD (2055405)
- 8 Screw, 4-40 x 3/4 in., Phillips (2029110)
- 4 Screw, 4-40 x 1-1/2 in., Phillips (2037906)

#### TSW-770/1070-RMB-2 Only

- 1 Bracket, Adapter, TPS-4L (2055402)
- 2 Bracket, Mounting, TPS-4L (4519515)
- 1 Cover Plate, Adapter, TPS-4L (2055406)
- 8 Screw, 4-40 x 3/4 in., Phillips (2029110)
- 4 Screw, 4-40 x 1-1/2 in., Phillips (2037906)

#### TSW-1070-RMB-3 Only

- 1 Bracket, Adapter, TPS-6L (2055403)
- 2 Bracket, Mounting, TPS-6L (4519516)
- 1 Cover Plate, Adapter, TPS-6L (2055407)
- 8 Screw, 4-40 x 3/4 in., Phillips (2029110)
- 4 Screw, 4-40 x 1-1/2 in., Phillips (2037906)

#### TSW-570/770-RMK-1 Only

- 1 Plate, Rack Mount (2048550)
- 1 Bracket, Mounting (2055409)
- 4 Screw, 4-40 x 3/8 in., Phillips (2007173)
- 2 Screw, 6-32 x 5/16 in., SEMS, Phillips (2007224)
- 4 Screw, 6-32 x 3/8 in., Phillips (2007235)

#### TSW-1070-RMK-2 Only

- 1 Plate, Rack Mount (2048551)
- 4 Screw, 4-40 x 3/8 in., Phillips (2007173)

## Retrofit Mounting Brackets and Rack Mount Kits for TSW-70 Series



### Install the TSW-70-RMB

For simplicity within this section, the term "TSW-70-RMB" is used to refer to all model variants unless noted.

### Determine Compatibility

Refer to the following table to determine the touch screens and legacy installations that are compatible with each TSW-70-RMB model.

#### TSW-70-RMB Model Compatibility

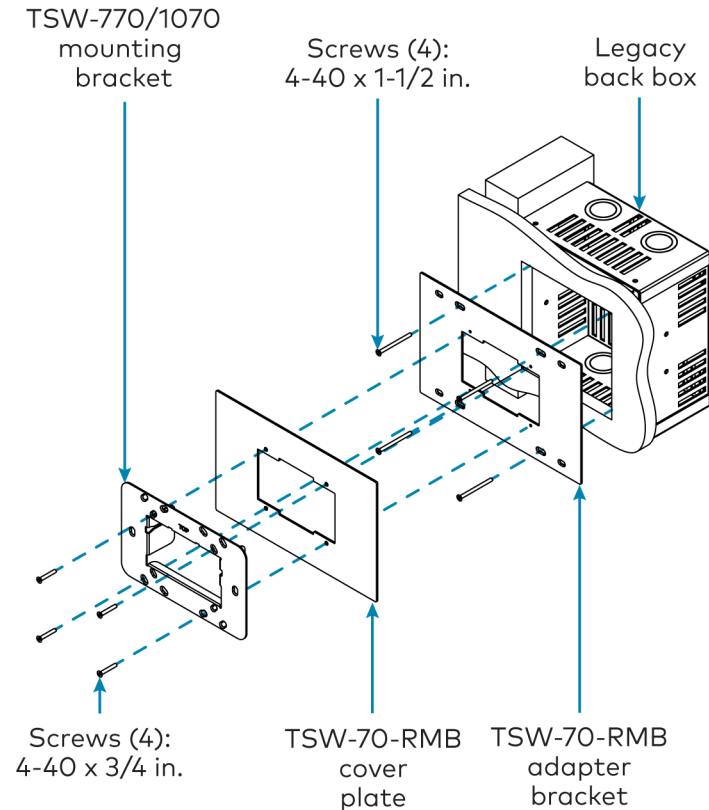
TSW-70-RMB Model	Compatible Touch Screens	Compatible Legacy Installations
TSW-770/1070-RMB-1	TSW-770, TSW-1070	APAD, CT-1000, LC-1000, TPS-2000L
TSW-770/1070-RMB-2	TSW-770, TSW-1070	TPS-4L
TSW-1070-RMB-3	TSW-1070	TPS-6L

### Install with a Back Box

To install the TSW-70-RMB in applications with an existing back box:

1. Attach the TSW-70-RMB adapter bracket to the existing back box using the included 4-40 x 1-1/2 in. screws.

2. Attach the TSW-770/1070 mounting bracket (included with the touch screen) and the TSW-70-RMB cover plate to the adapter bracket using four of the included 4-40 x 3/4 in. screws. Refer to the following illustration.



3. Attach the touch screen to the TSW-770/1070 mounting bracket to complete the installation.

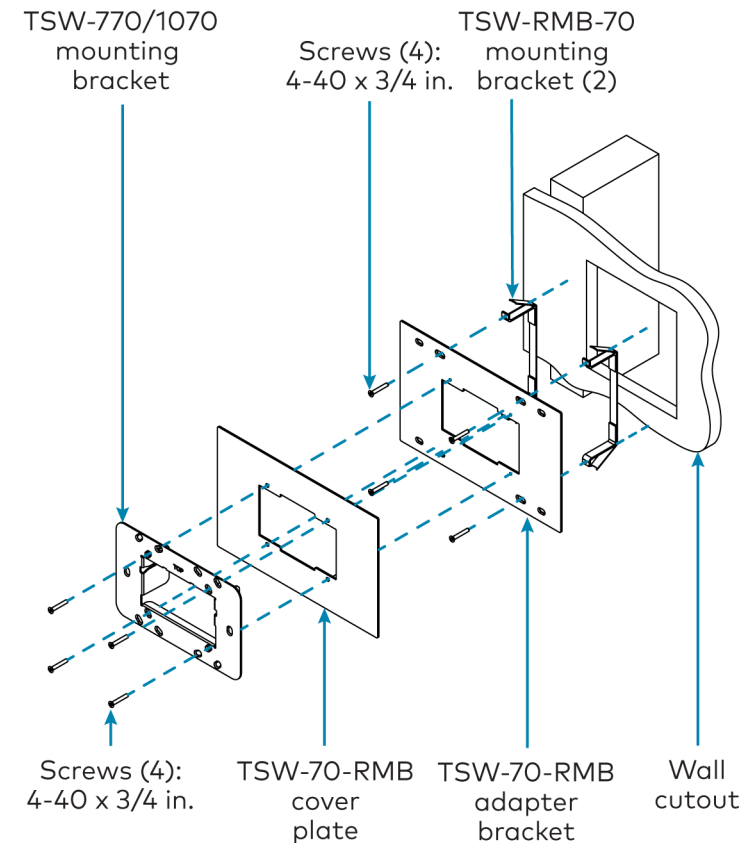
## Retrofit Mounting Brackets and Rack Mount Kits for TSW-70 Series

### Install without a Back Box

To install the TSW-70-RMB in applications without an existing back box:

1. Attach the TSW-70-RMB adapter bracket loosely to the included mounting brackets using four of the 4-40 x 3/4 in. screws. Insert the screws far enough that they engage the threads in the bracket, but do not tighten them yet.
2. Push the assembly into the wall until the mounting brackets are seated fully and clip to the wall.
3. Tighten the four screws to secure the mounting bracket.

4. Attach the TSW-770/1070 mounting bracket (included with the touch screen) and the TSW-RMB-70 cover plate to the adapter bracket using the remaining four 4-40 x 3/4 in. screws. Refer to the following illustration.



5. Attach the touch screen to the TSW-770/1070 mounting bracket to complete the installation.

## Retrofit Mounting Brackets and Rack Mount Kits for TSW-70 Series



### Install the TSW-70-RMK

For simplicity within this section, the term "TSW-70-RMK" is used to refer to all model variants unless noted.

### Determine Compatibility

Refer to the following table to determine the touch screens that are compatible with each TSW-70-RMK model and the units of rack space required for installation.

#### TSW-70-RMK Model Compatibility

TSW-70-RMK Model	Compatible Touch Screens	Required Units of Rack Space
TSW-570/770-RMK-1	TSW-570, TSW-770	3U
TSW-1070-RMK-2	TSW-770, TSW-1070	4U

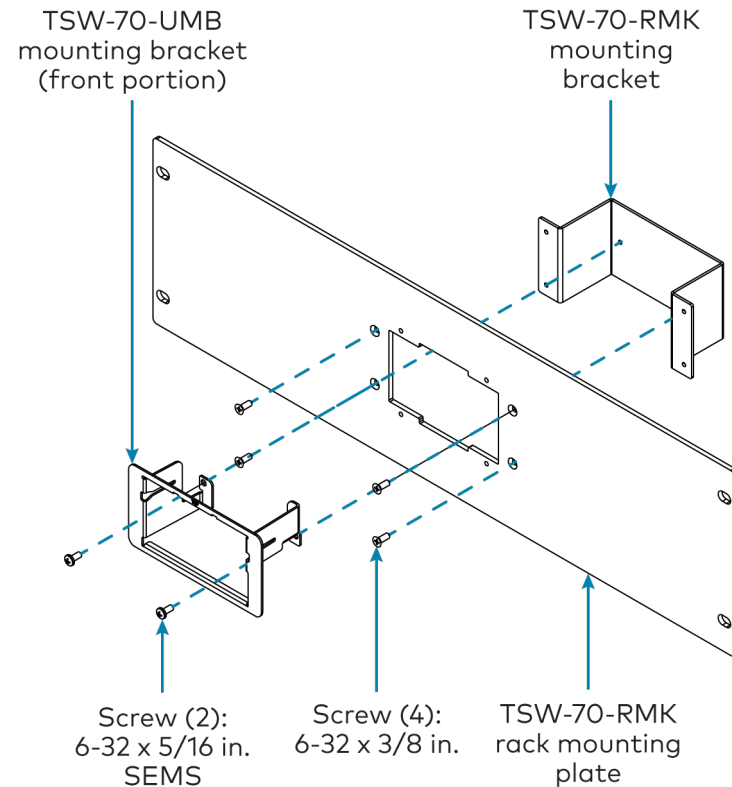
**NOTE:** The TSW-1070-RMK-2 uses the same hardware as the TSW-1060-RMK-2. Either product can be used to install a TSW-1070 into a rack.

### Install a TSW-570 into a Rack

To install a TSW-570 into a rack with the TSW-570/770-RMK-1:

1. Attach the TSW-70-RMK mounting bracket to the included rack mounting plate using the included 6-32 x 3/8 in. screws.
2. Attach the rack mounting plate to the rack using the appropriate mounting hardware.
3. Separate the two halves of the TSW-570 universal mounting bracket (included with the touch screen) by removing the two 1 in. screws that hold the halves together.

4. Attach the front portion of the TSW-570 universal mounting bracket to the rack mounting plate using the included 6-32 x 5/16 in. SEMS screws.



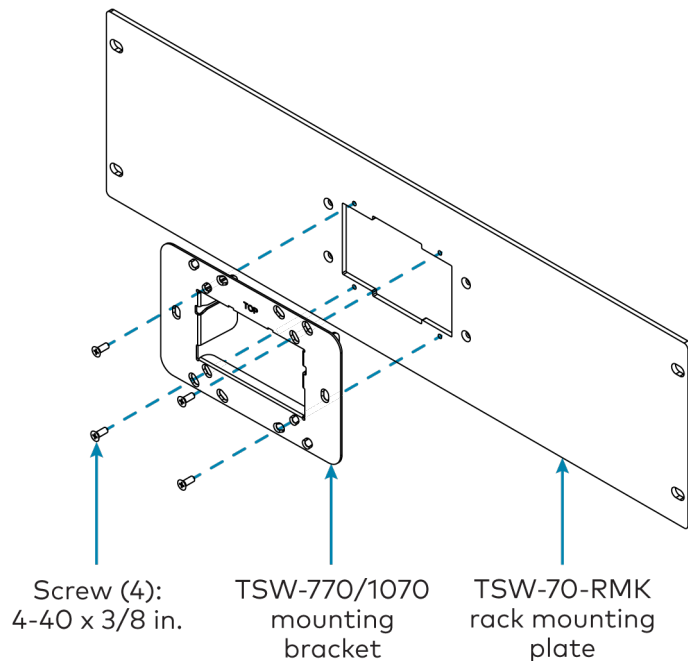
5. Attach the touch screen to the TSW-570 universal mounting bracket to complete the installation.

## Retrofit Mounting Brackets and Rack Mount Kits for TSW-70 Series

### Install a TSW-770 or TSW-1070 into a Rack

To install a TSW-770 or TSW-1070 into a rack with the TSW-570/770-RMK-1 or TSW-1070-RMK-2:

1. Attach the rack mounting plate to the rack using the appropriate mounting hardware.
2. Attach the TSW-770/TSW-1070 mounting bracket (included with the touch screen) to the rack mounting plate using the included 4-40 x 3/8 in. screws.



3. Attach the touch screen to the TSW-770/TSW-1070 mounting bracket to complete the installation.



### Visit the Product Pages

Scan the QR codes to visit the product pages.

TSW-770/1070-RMB-1



[www.crestron.com/model/6511130](http://www.crestron.com/model/6511130)

TSW-770/1070-RMB-2



[www.crestron.com/model/6511131](http://www.crestron.com/model/6511131)

TSW-1070-RMB-3



[www.crestron.com/model/6511132](http://www.crestron.com/model/6511132)

TSW-570/770-RMK-1



[www.crestron.com/model/6511134](http://www.crestron.com/model/6511134)

## Retrofit Mounting Brackets and Rack Mount Kits for TSW-70 Series

TSW-1070-RMK-2



[www.crestron.com/model/6511135](http://www.crestron.com/model/6511135)

### Additional Information

#### Original Instructions

The U.S. English version of this document is the original instructions. All other languages are a translation of the original instructions.

The product warranty can be found at [www.crestron.com/warranty](http://www.crestron.com/warranty).

The specific patents that cover Crestron products are listed at [www.crestron.com/legal/patents](http://www.crestron.com/legal/patents).

Certain Crestron products contain open source software. For specific information, visit [www.crestron.com/opensource](http://www.crestron.com/opensource).

Crestron and the Crestron logo are either trademarks or registered trademarks of Crestron Electronics, Inc. in the United States and/or other countries. Other trademarks, registered trademarks, and trade names may be used in this document to refer to either the entities claiming the marks and names or their products. Crestron disclaims any proprietary interest in the marks and names of others. Crestron is not responsible for errors in typography or photography.

©2020 Crestron Electronics, Inc.

Doc. 8599C

05/19/20