

ADORN

Commercial Series

User Guide



ADORN



Contents

ADORN On-wall Introduction

| | |
|-------------------------|---|
| ADORN On-wall..... | 4 |
| Aesthetics..... | 4 |
| Options..... | 4 |
| Protection..... | 4 |
| Unpacking the Unit..... | 4 |

ADORN On-wall Overview

| | |
|------------------|---|
| A40/A40T..... | 5 |
| A55/A55T..... | 5 |
| Accessories..... | 6 |

ADORN On-wall System Requirements

| | |
|--------------------------------|---|
| Low Impedance Systems..... | 7 |
| 70v and 100v Line Systems..... | 7 |
| Connections..... | 7 |

ADORN On-wall Deployment

| | |
|-----------------------|---|
| Wall-mounting..... | 8 |
| Ceiling-mounting..... | 9 |

ADORN Ceiling Introduction

| | |
|-------------------------|----|
| ADORN Ceiling..... | 11 |
| Aesthetics..... | 11 |
| Options..... | 11 |
| Protection..... | 11 |
| Unpacking the Unit..... | 11 |

ADORN Ceiling Overview

| | |
|------------------|----|
| ACS-40TS..... | 12 |
| ACS-55TS..... | 12 |
| ACS-55T..... | 12 |
| ACP-55T..... | 12 |
| Accessories..... | 13 |

ADORN Ceiling System Requirements

| | |
|--------------------------------|----|
| Low Impedance Systems..... | 14 |
| 70v and 100v Line Systems..... | 14 |
| Connections..... | 14 |

ADORN Ceiling Deployment

| | |
|-------------------------|----|
| Hole Cut-outs..... | 15 |
| Suspended Ceilings..... | 15 |

ADORN Pendant Deployment

| | |
|--------------|----|
| ACP-55T..... | 18 |
|--------------|----|

Technical Specifications

| | |
|---------------|----|
| A40/A40T..... | 19 |
| A55/A55T..... | 19 |
| ACS-40TS..... | 20 |
| ACS-55TS..... | 20 |
| ACS-55T..... | 20 |
| ACP-55T..... | 21 |

Technical Drawings

| | |
|---------------|----|
| A40..... | 22 |
| A40T..... | 23 |
| A55..... | 24 |
| A55T..... | 25 |
| ACS-40TS..... | 26 |
| ACS-55TS..... | 27 |
| ACS-55T..... | 28 |
| ACP-55T..... | 29 |

Warranty

| | |
|-------------------------|----|
| Warranty Statement..... | 30 |
|-------------------------|----|

ADORN On-wall Introduction

ADORN On-wall

Thank you for purchasing a Martin Audio ADORN series system. ADORN was launched to meet the demand for ultra-compact, discreet, easy to deploy speaker for a wide range of commercial integration projects, meeting the price point often demanded whilst still delivering superior sound quality and the signature Martin Audio tonal characteristics. ADORN is an ideal partner to larger Martin Audio systems in venues that may have a wide variety of zones, to provide a seamless transition and retaining the same sonic performance and tonal quality.

Aesthetics

The ADORN on-wall series have been designed to be as visually unobtrusive with bezel-free grilles for a clean look. All models are available in black (RAL 9005) and white (RAL 9016).

Options

The A40T and A55T are fitted with a 70v and 100v line transformers to select the appropriate output power. There is also a low impedance mode on all models (16 Ω), enabling up to 8 speakers to be driven by a single amplifier channel with 2 Ω load capability.

Protection

All models have built-in independent protection for the high and low frequency drivers to ensure reliable operation in the event of an overload condition.

Unpacking the Unit

Every Martin Audio loudspeaker is built to the highest standard and thoroughly inspected before it leaves the factory. After unpacking the system, examine it carefully for any signs of transit damage and inform your dealer if any is found. It is suggested that you keep the original packaging so that the system can be repacked at a future date if necessary.

When the product has reached the end of its useful life, please dispose of it responsibly through a recycling centre.

ADORN On-wall Overview



A40/A40T

The A40 is a two-way passive speaker with an elegant design that is perfect for architectural interiors that require high-fidelity sound from an unobtrusive, ultra-compact enclosure. Comprising a 4" (100mm) LF driver and a 0.75" (19mm) silk-dome HF driver on a 110° x 80° horn, it handles 40W AES, 160W peak and can produce 109dB peak output at 1 metre.

It is available as standard in either black or white and its paintable ABS enclosure can be wall-mounted vertically or horizontally using the mounting bracket supplied. With a nominal impedance of 16 ohms, multiple speakers can be driven in parallel from a single channel of a low impedance amplifier such as the Martin Audio VIA2004.

The A40T transformer option features a built-in 70W/100v multi-tap transformer for line operation.

The enclosure is suitable for outdoor usage when used with the waterproof connector cover accessory (sold separately).



A55/A55T

The A55 features a 5.25" (135mm) LF driver and a 0.75" (19mm) silk-dome HF driver on a 110° x 80° horn. With a power handling of 50W AES, 200W peak, and a maximum SPL of 113dB at 1 metre, it is designed for background and foreground applications that call for premium sound quality and high levels from a visually discreet enclosure.

It is available as standard in either black or white and its paintable ABS enclosure can be wall-mounted vertically or horizontally using the mounting bracket supplied and its nominal impedance of 16 ohms enables multiple speakers to be driven in parallel from a single channel of a low impedance amplifier such as the Martin Audio VIA2004.

A transformer option, the A55T, with a built-in 70W/100v multi-tap transformer is available for line operation.

The enclosure is suitable for outdoor usage when used with the waterproof connector cover accessory (sold separately).



Subwoofers

For full range music systems, a subwoofer may be added. We would recommend a speaker from the Martin Audio SX Series such as the SX110 which is a very compact single 10" subwoofer. This must be driven by another amplifier, for small low impedance systems the four channel VIA2504 or VIA5004 amplifiers are recommended. A system controller will be required to act as a crossover between the subwoofer and ADORN speakers. The DX0.5 or DX4.0 are recommended processors.

Accessories

AIPKIT - Weatherised connector cover

The cover is fitted to the rear of any of the wall-mount systems. It allows cable entry via a sealed gland to provide a weather resistant connection to enable the speakers to be used outdoors. Available in black (AIPKIT) and white (AIPKIT-W). Suitable for use with all ADORN on-wall models. Sold seperately.



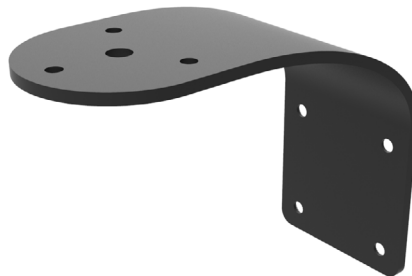
ASM10002 / ASM10001 - Wall bracket

Allows wall-mounting of all ADORN models, featuring vertical and horizontal tilt and pan. Weatherised for outdoor installation. Available in black (ASM10002) and white (ASM10001). Suitable for use with all ADORN on-wall models. Supplied with product.



CDDCB5 - Ceiling bracket

Allows ceiling-mounting of all ADORN models, featuring vertical tilt. Weatherised for outdoor installation. Available in black (CDDCB5B-WR), white (CDDCB5W-WR) and custom RAL colours. Suitable for use with all ADORN on-wall models. Sold seperately.



ADORN On-wall System Requirements

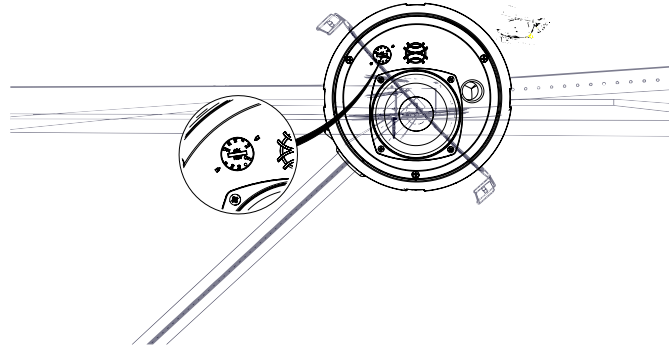
Low Impedance Systems

The ADORN A40 and A55 are designed to be used in a low impedance system.

The selector switch is located on the rear of the speaker on wall-mount models A40T and A55T and is on the baffle behind the grill on the ceiling and pendant products. A conventional power amplifier or mixer-amplifier designed for use with low impedance loads must be used. We recommend an amplifier that can deliver the full peak power rating without risk of clipping to ensure the best possible performance and to avoid damage. The Martin Audio VIA amplifier range are a good match for the ADORN series. Performance can be further maintained by using a good quality system processor to introduce a system protection limiter. The Martin Audio DX0.5 is recommended for use with the ADORN series.

70v and 100v Line Systems

An amplifier designed for driving distributed line system must be used. The appropriate tap must be selected using the rotary switch, located on the back of A40T and A55T.



Ensure that the sum of all speaker taps does not exceed the amplifier's rated power output.

A40T

70v: 20w / 10w / 5w / 2.5w

100v: 20w / 10w / 5w / n/a

A55T

70v: 30w / 15w / 7.5w / 3.75w

100v: 30w / 15w / 7.5w

Connections

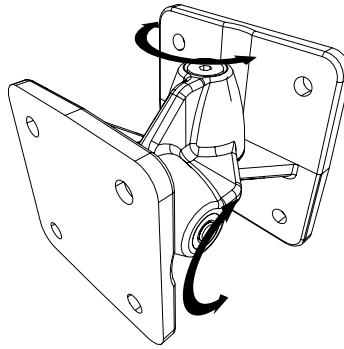
Connections are made to all ADORN on-wall speakers using simple spring-loaded push terminals.

Strip approximately 10mm of insulation from the ends of your speaker cables, twist stranded cable or use crimped bootlace ferrule on the ends. Depress the push lever, insert the cables into the hole and release the lever. Positive, (+) connections should be made to the red terminal, Negative, (-) connections should go to the black terminal. If "daisy-chaining" connections to several speakers, either twist two wires together prior to inserting in the terminal or insert two wires together.

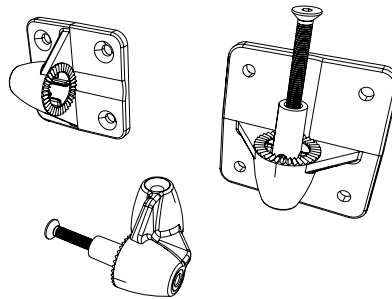
ADORN On-wall Deployment

Wall-mounting

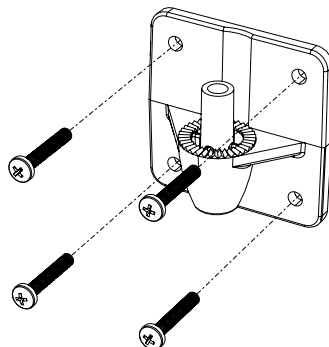
The ADORN on-wall loudspeakers are supplied with a bracket to ensure trouble free installation. The bracket is a three-part design which allows adjustment in both horizontal and vertical planes.



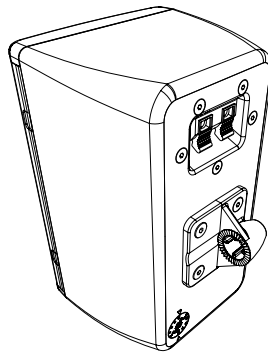
The first stage is to disassemble the bracket so that the cabinet half can be fitted to the speaker and the wall section attached to the wall. A 4mm Allen key is required. If adjustment is only required in one plane, vertical or horizontal, the middle section can be removed. This has the added advantage that the speaker will be closer to the wall.



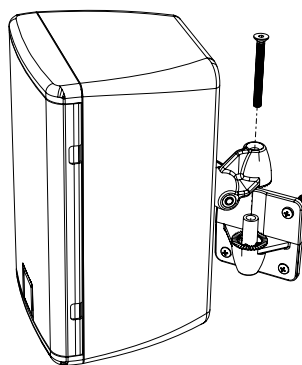
Fit the wall bracket in the appropriate orientation for horizontal or vertical adjustment. Fixings appropriate for the wall surface and weight of the cabinet must be used to ensure a safe and secure installation.



Fit the cabinet half of the bracket to the speaker using the four screws in the centre of the rear of the cabinet.



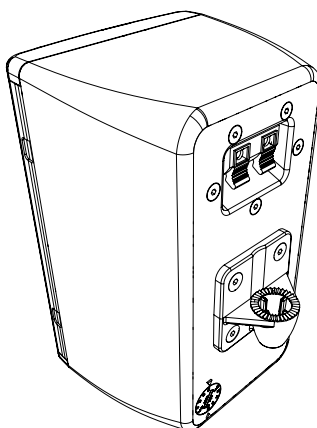
The cabinet can be fitted to the wall by linking the two halves of the bracket using the M4 Allen head bolt.



Ceiling-mounting

An alternative option is to ceiling mount the ADORN on-wall speakers using the optional ceiling bracket, part number CDDCB5.

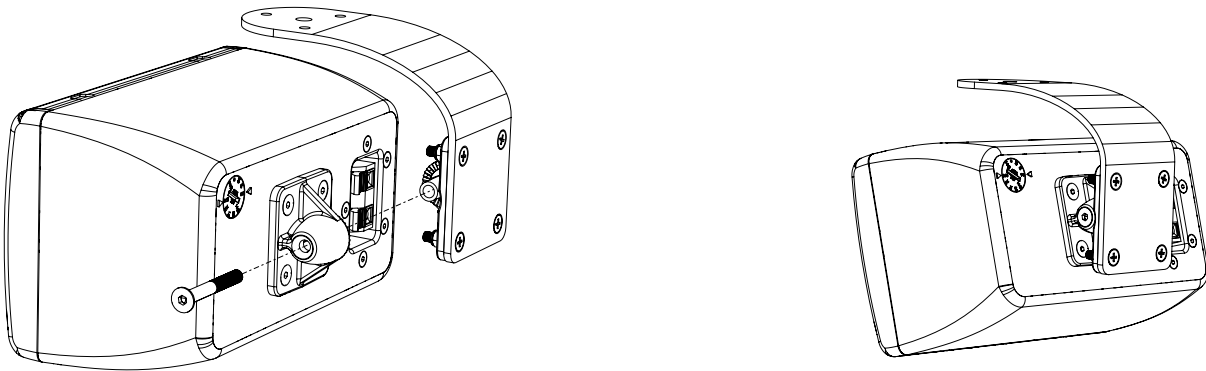
Fit the cabinet half of the bracket to the speaker using the four screws in the centre of the rear of the cabinet. For ceiling installation, the bracket must be installed in the orientation below:



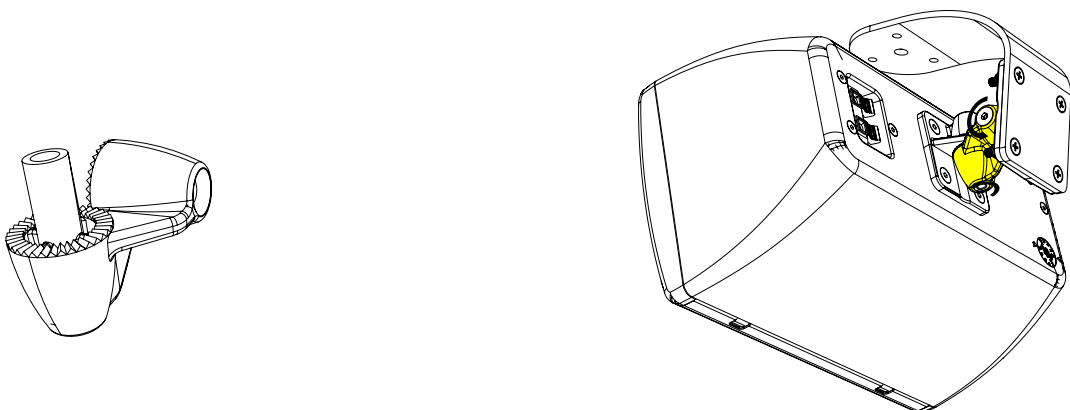
Fit the wall part of the bracket to the ceiling bracket (CDDCB5) with the fastenings supplied.



Connect the two assemblies together using the M6 x 60 supplied with the wall bracket. This configuration will give you tilt adjust only.



If “pan & tilt” adjustment is needed repeat the above process with the pan and tilt coupler included.



ADORN Ceiling Introduction

ADORN Ceiling

Thank you for purchasing a Martin Audio ADORN series system. ADORN was launched to meet the demand for ultra-compact, discreet, easy to deploy speaker for a wide range of commercial integration projects, meeting the price point often demanded whilst still delivering superior sound quality and the signature Martin Audio tonal characteristics. ADORN is an ideal partner to larger Martin Audio systems in venues that may have a wide variety of zones, to provide a seamless transition and retaining the same sonic performance and tonal quality.

Aesthetics

The ADORN ceiling series have been designed to be as visually unobtrusive with bezel-free grilles for a clean look. All ceiling models are available in (RAL 9016) white. Pendant models are available in (RAL 9005) black and (RAL 9016) white.

Options

All models are fitted with a 70v/100v multi-tap line transformer to select the appropriate output power. There is also a low impedance mode (16 Ω), enabling up to 8 speakers to be driven by a single amplifier channel with 2 Ω load capability.

Protection

All models have built-in independent protection for the high and low frequency drivers to ensure reliable operation in the event of an overload condition.

Unpacking the Unit

Every Martin Audio loudspeaker is built to the highest standard and thoroughly inspected before it leaves the factory. After unpacking the system, examine it carefully for any signs of transit damage and inform your dealer if any is found. It is suggested that you keep the original packaging so that the system can be repacked at a future date if necessary.

When the product has reached the end of its useful life, please dispose of it responsibly through a recycling centre.

ADORN Ceiling Overview

ACS-40TS

Comprising a 4" (100mm) LF driver and a 0.75" (19mm) silk-dome tweeter, the ACS-40TS produces 108dB peak output at 1 metre and has a high-fidelity sonic character ideal for both music and speech reproduction. Its ported design delivers strong bass that extends down to 73 Hz.

The very wide 180° conical coverage of the ACS-40TS makes it particularly suitable for low ceilings and reduces the number of speakers required for even coverage — leading to a reduction in installation cost. It features a shallow back can for installation in ceilings with a minimum cavity depth.

ACS-55TS

Comprising a 5.25" (100mm) LF driver and a 0.75" (19mm) silk-dome tweeter, the ACS-55TS produces 113dB peak output at 1 metre and has a high-fidelity sonic character ideal for both music and speech reproduction. Its ported design delivers strong bass that extends down to 79Hz.

The wide 150° conical coverage of the ACS-55TS makes it particularly suitable for low ceilings and reduces the number of speakers required for even coverage — leading to a reduction in installation cost. It features a shallow back can for installation in ceilings with a minimum cavity depth.

ACS-55T

Comprising a 5.25" (100mm) LF driver and a 0.75" (19mm) silk-dome tweeter, the ACS-55T produces 113dB peak output at 1 metre and has a high-fidelity sonic character ideal for both music and speech reproduction. Its ported bass reflex design and back can with generous internal volume maximises low frequency output and delivers strong bass that extends down to 62Hz.

The wide 150° conical coverage of the ACS-55T reduces the number of speakers required for even coverage — leading to a reduction in installation cost.

ACP-55T

Comprising a 5.25" (100mm) LF driver and a 0.75" (19mm) silk-dome tweeter, the ACP-55T produces 109dB peak output at 1 metre and delivers superb sound quality for both music and speech reproduction. Its stylish pendant enclosure is equipped with a single-point mounting system plus provision for attaching a safety cable.

The consistent and wide 150° conical coverage of the ACP-55T reduces the number of speakers required for even coverage — leading to a reduction in installation cost.



Accessories

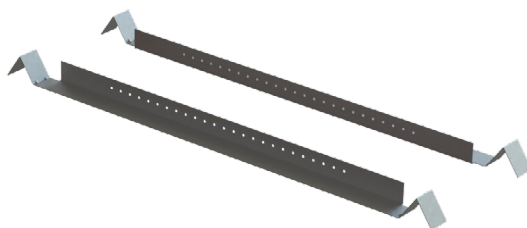
C bracket

Appropriately sized support ring for ACS-40TS, ACS-55TS and ACS-55T. Supplied with product.



Tile rails

Support rails for suspended ceiling. Supplied with product.



CK3

3m suspension cable accessory for ACP-55T and ACP-55T-W. Sold separately.



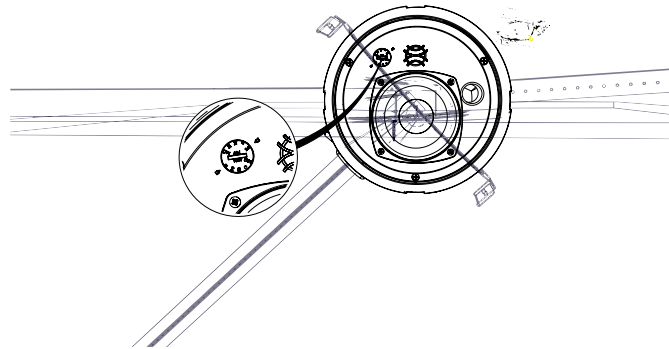
ADORN Ceiling System Requirements

Low Impedance Systems

All models can be used in a low impedance system by selecting the 16Ω position on the rotary switch, located behind the grille. A conventional power amplifier designed for use with low impedance loads must be used. We recommend an amplifier that can deliver the full peak power rating without risk of clipping to ensure the best possible performance and to avoid damage. The Martin Audio VIA amplifier range are a good match for the ADORN series. Performance can be further maintained by using a good quality system processor to introduce a system protection limiter. The Martin Audio DX0.5 is recommended for use with the ADORN series.

70v and 100v Line Systems

All ceiling and pendant models can be used in a 70v or 100v line system. An amplifier designed for driving distributed line system must be used. The appropriate tap (please see below) must be selected using the rotary switch located on the front baffle of ceiling and pendant models.



Ensure that the sum of all speaker taps does not exceed the amplifier's rated power output.

ACS-40TS

70v: 20w / 10w / 5w / 2.5w

100v: 20w / 10w / 5w / n/a

ACS-55T(S) & ACP-55T

70v: 30w / 15w / 7.5w / 3.75w

100v: 30w / 15w / 7.5w

Connections

All models feature a connection cover for safety critical applications, it provides strain relief to the cable connections which helps prevent accidental disconnection. Strip approximately 10mm of insulation from the ends of your speaker cables, twist stranded cable or use crimped bootlace ferrules on the ends. Loosen the four screws – this will allow the connection cover to be removed without completely removing the screws. Pass the cable through the gland from outside to in. The cables connect to the speaker via a ceramic terminal block. Connections are as follows:

1. +
2. -
3. -
4. +

The positive (+) and negative (-) from your in-coming cable can connect to 1 & 2 and your link-out cable to 3 & 4. Connections to the ceramic terminal block are loosened and tightened using a cross head screwdriver.

Replace the connector cover ensuring that there is no strain on the connections, tighten the gland to seal the connection.

ADORN Ceiling Deployment

Hole Cut-outs

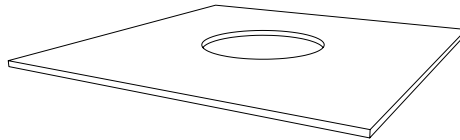
| | |
|-------------------------|------------------------|
| ADORN ACS-40TS | 197mm (7.75") diameter |
| ADORN ACS-55TS, ACS-55T | 222mm (8.74") diameter |

Hole cut-out templates are supplied with each speaker.

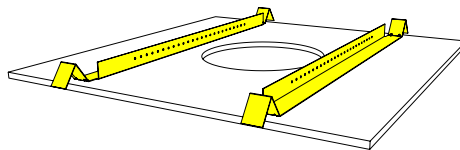
Suspended Ceilings

The tile rails and C bracket are intended to be used with suspended/false ceilings.

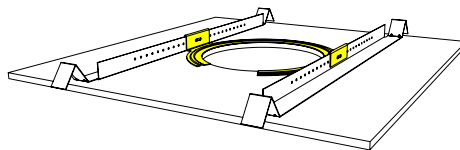
First, remove the ceiling tile and cut the required hole in the centre of the tile.



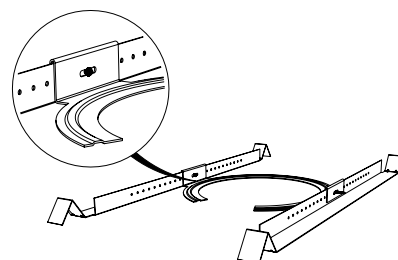
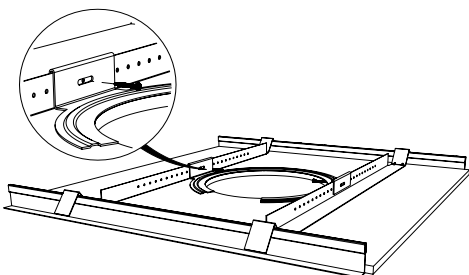
Place the tie rails either side of the hole orientate as shown ensuring that the ends align with the edge of the tile.



Place the C-bracket in position over the hole with the clips hooked over the rails. Make sure the bracket is aligned accurately with the hole.



Screw the C-Bracket in place with the screws provided screwing from the hole side through to the rails. This will make it easier to access the screws if any adjustment is required once the tile and supporting brackets are in the ceiling.

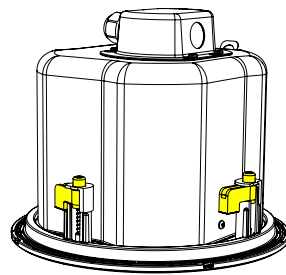


The bracket assembly can now be placed in the ceiling. The ends of the tile rail can be easily be re-shaped to fit onto the supporting frame for the ceiling. These simply hook on top of the ceiling frame; they are not fixed in position. The tile can now be replaced. This will inevitably mean lifting one side of the bracket, ensure that once the tile is back in position the frame is sitting on the ceiling frame and that the C-Bracket is accurately lined up with the hole. If necessary, reach through the hole and loosen the fixing screws holding the C-Bracket to the rails, make any adjustments to the position and tighten the screws.

Fitting the ceiling speakers

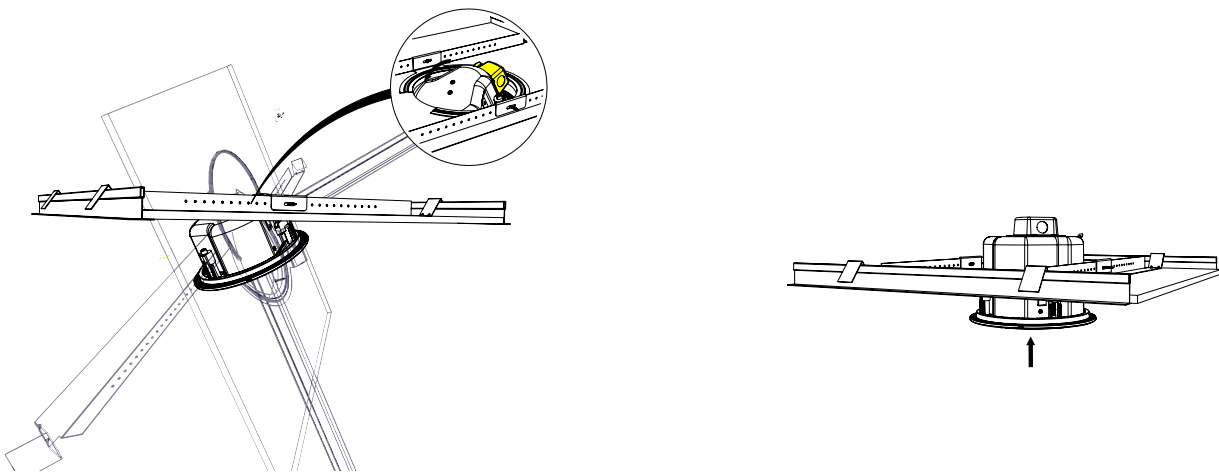
Once a suitable hole has been prepared the ceiling speakers can be fitted. First pull the cabling down through the hole, it is important that there is enough slack on the cable to allow easy connection of the cables to the speaker. Connect the cable as described in the Connections chapter. Fit a safety wire to the tab and ensure this is firmly attached to a fixing point independent of the ceiling structure.

The ceiling speakers are held in position with swivel tabs which are at right angles to the final fixing position to allow placing the speaker in the hole, these then rotate 90° as the fixing screws are tightened to hold the speaker securely in place. Before inserting the speaker into the ceiling, ensure that all swivel tabs are rotated so they are parallel with the edge of the bezel to allow easy insertion up into the ceiling.

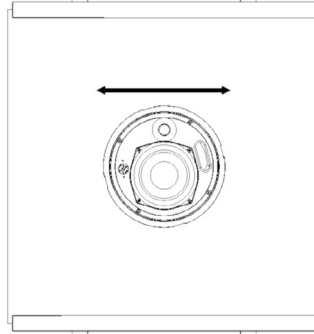


The connector cover sticks out at the side of the back can, this is to keep the depth of the speaker to a minimum to ensure that the speakers are suitable for shallow voids above ceilings.

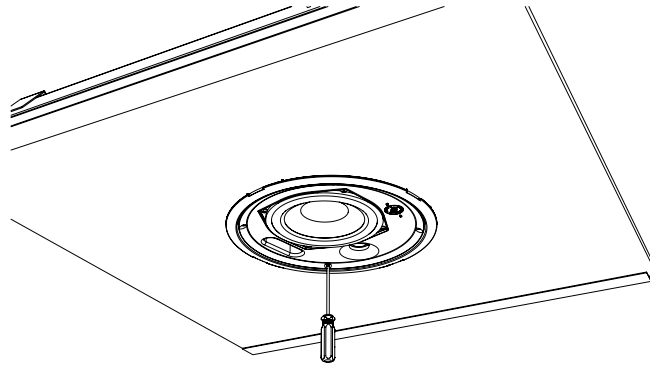
To fit the speaker, you will need to guide the connector cover and cables into the hole first and then raise the speaker into position flush in the hole.



If a quantity of ceiling speakers are deployed in a line (corridor) the tweeter should be orientated so that an imaginary line between the woofer and tweeter points along the line of speakers. This will minimise phase issues at the crossover point that are inevitable in a 2-way speaker.

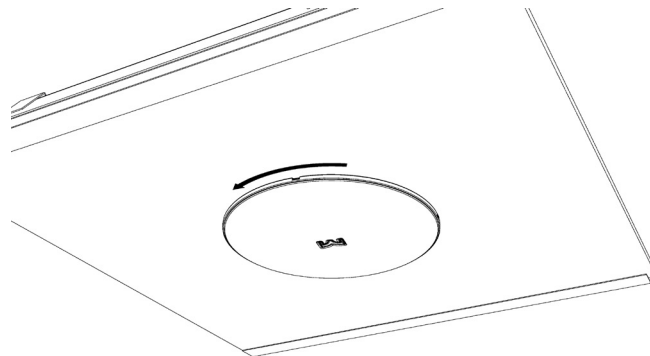


The ceiling speakers are secured by tightening the mounting screws from the front baffle. The ACS-40TS has three mounting screws, the ACS-55TS and ACS-55T have four. Tighten these clockwise, the swivel tables will rotate 90° and will then pull down onto the back of the tile to hold the speaker securely in place. A recommended torque setting of 0.5Nm and no more than 1Nm should be used to avoid over tightening.



Fitting the grille

The grille is a simple bayonet fitting. Locate the lugs on the underside of the grille and position on the ceiling speaker. Rotate approximately 5° and it will be fixed in place. It can be removed by rotating anticlockwise should any maintenance or adjustment be required.



ADORN Pendant Deployment

ACP-55T

The ACP-55T is designed to be suspended in free space from a single point. The mounting tab on the top of the enclosure is used to attach the speaker to the means of suspension, wire rope or similar. The fixings used to attach the speaker must be rated for flown applications and have a safe working load that exceeds the weight of the ACP-55T.



Fitting the grille

The grille can be fitted before suspending the ACP-55T if the required electrical configuration is known; - low impedance or the specific 70v and 100v line tap. The grille is a simple bayonet fitting. Locate the lugs on the underside of the grille and position on the ceiling speaker. Rotate approximately 5° and it will be fixed in place. It can be removed by rotating anticlockwise should any maintenance or adjustment be required.

Important safety information

- Martin Audio ADORN ceiling speakers must be installed by experienced installation personnel using all accessories appropriate to the ceiling construction
- The installer must check with all relevant local, national and international electrical, fire and building safety authorities to ensure that all regulations are being complied with
- Every ADORN ceiling speaker must be fitted with a steel safety wire between its rear can safety tag and a suitable overhead supporting structure independent of the ceiling to provide secondary safety support in the event of damage to the ceiling
- When installed in an air handling space the steel cover plates must be sealed to the loudspeaker back cans with firestop putty or a suitable alternative to ensure plenum tight enclosure of the electrical connections.

Technical Specifications

A40/A40T

| | |
|------------------------------|--|
| TYPE | Ultra-compact passive two-way system, front ported bass reflex |
| FREQUENCY RESPONSE (1) | 98Hz-17kHz \pm 3dB -10dB @ 70Hz |
| DRIVERS | LF: 4" /1" high-temp voice coil, coated paper cone, rubber surround, ferrite motor, pressed steel chassis HF: 0.75" silk dome, neodymium motor |
| RATED POWER (2) | 40W AES, 160W peak |
| RECOMMENDED AMPLIFIER | A40: VIA2004 A40T: VIA5002 |
| SENSITIVITY (1) | 87dB/1W/1m |
| MAXIMUM SPL (9) | 109dB peak |
| NOMINAL IMPEDANCE | 16 ohms |
| DISPERSION (-6dB) | 110° H x 80° V |
| CROSSOVER | 3.5kHz passive (LF and HF auto-resetting fuses) |
| TRANSFORMER TAPS (A40T only) | 70V: 20w / 10w / 5w / 2.5w 100V: 20w / 10w / 5w |
| RECOMMENDED HIGH-PASS FILTER | 60Hz 24dB/oct |
| ENCLOSURE | ABS, UL 94V-0 rated |
| FINISH | Black or white |
| GRILLE | Perforated steel |
| CONNECTORS | Push terminals |
| FITTINGS | Wall bracket included |
| DIMENSIONS EXCL. BRACKET | (W) 124mm x (H) 200mm x (D) 114mm (W) 4.9in x (H) 7.9in x (D) 4.5in |
| WEIGHT | A40: 1.75kg (3.9lbs) A40T: 2.13kg (4.7lbs) |
| ACCESSORIES | Waterproof connector cover |



A55/A55T

| | |
|------------------------------|---|
| TYPE | Ultra-compact passive two-way system, front ported bass reflex |
| FREQUENCY RESPONSE (1) | 90Hz-17kHz \pm 3dB -10dB @ 65Hz |
| DRIVERS | LF: 5.25" /1" high-temp voice coil, coated paper cone, rubber surround, ferrite motor, pressed steel chassis HF: 0.75" silk dome, neodymium motor |
| RATED POWER (2) | 50W AES, 200W peak |
| RECOMMENDED AMPLIFIER | A55: VIA2004 A55T: VIA5002 |
| SENSITIVITY (1) | 90dB/1W/1m |
| MAXIMUM SPL (9) | 113dB peak |
| NOMINAL IMPEDANCE | 16 ohms |
| DISPERSION (-6dB) | 110° H x 80° V |
| CROSSOVER | 3.5kHz passive (LF and HF auto-resetting fuses) |
| TRANSFORMER TAPS (A55T only) | 70V: 30w / 15w / 7.5w / 3.75w 100V: 30w / 15w / 7.5w |
| RECOMMENDED HIGH-PASS FILTER | 60Hz 24dB/oct |
| ENCLOSURE | ABS, UL 94V-0 rated |
| FINISH | Black or white |
| GRILLE | Perforated steel |
| CONNECTORS | Push terminals |
| FITTINGS | Wall bracket included |
| DIMENSIONS EXCL. BRACKET | (W) 152mm x (H) 245mm x (D) 140mm (W) 6in x (H) 9.6in x (D) 5.5in |
| WEIGHT | A55: 2.21kg (4.9lbs) A55T: 2.81kg (6.2lbs) |
| ACCESSORIES | Waterproof connector cover |



ACS-40TS

| | |
|------------------------------|---|
| TYPE | Ultra-compact, passive two-way ceiling speaker, ported bass reflex |
| FREQUENCY RESPONSE (1) | 106Hz-20kHz ± 3dB, -10dB @ 73Hz |
| DRIVERS | LF: 4" /1" high-temp voice coil, coated paper cone, rubber surround, ferrite motor, pressed steel chassis HF: 0.75" silk dome, neodymium motor |
| RATED POWER (2) | 40W AES, 160W peak |
| RECOMMENDED AMPLIFIER | VIA2004 (for low-impedance operation) |
| SENSITIVITY (4) | 86dB / 1W(4V) / 1m |
| MAXIMUM SPL (9) | 108dB peak |
| NOMINAL IMPEDANCE | 16 ohms |
| DISPERSION (-6dB) | 180° conical up to 10kHz |
| CROSSOVER | 3.5 kHz passive (LF and HF auto-resetting fuses) |
| TRANSFORMER TAPS | 70V: 20w / 10w / 5w / 2.5w, 100V: 20w / 10w / 5w |
| RECOMMENDED HIGH-PASS FILTER | 75Hz 24dB/oct |
| ENCLOSURE | UL 94V-0 rated ABS baffle with steel backcan |
| FINISH | Baffle and grille: RAL9016 white, Backcan: zinc plated |
| GRILLE | Perforated steel, powder-coated, bayonet fitting |
| CONNECTORS | Ceramic connector (in and link) located behind fire-retardant steel cover |
| ACCESSORIES (included) | 2 tile rails, C-ring backing plate, Cut-out template |
| DIMENSIONS | (OD) 221mm x (D) 98mm (OD) 8.7in x (D) 3.9in |
| WEIGHT | 2.2kg (4.8lbs) |



ACS-55TS

| | |
|------------------------------|--|
| TYPE | Compact, passive two-way ceiling speaker, ported bass reflex |
| FREQUENCY RESPONSE (1) | 117Hz-20kHz ± 3dB, -10dB @ 79Hz |
| DRIVERS | LF: 5.25" /1" high-temp voice coil, coated paper cone, rubber surround, ferrite motor, pressed steel chassis HF: 0.75" silk dome, neodymium motor |
| RATED POWER (2) | 50W AES, 200W peak |
| RECOMMENDED AMPLIFIER | VIA2004 (for low-impedance operation) |
| SENSITIVITY (4) | 90dB / 1W(4V) / 1m |
| MAXIMUM SPL (9) | 113dB peak |
| NOMINAL IMPEDANCE | 16 ohms |
| DISPERSION (-6dB) | 150° conical up to 7kHz |
| CROSSOVER | 3kHz passive (LF and HF auto-resetting fuses) |
| TRANSFORMER TAPS | 70V: 30w / 15w / 7.5w / 3.75w, 100V: 30w / 15w / 7.5w |
| RECOMMENDED HIGH-PASS FILTER | 65Hz 24dB/oct |
| ENCLOSURE | UL 94V-0 rated ABS baffle with steel backcan |
| FINISH | Baffle and grille: RAL9016 white, Backcan: zinc plated |
| GRILLE | Perforated steel, powder-coated, bayonet fitting |
| CONNECTORS | Ceramic connector (in and link) located behind fire-retardant steel cover |
| ACCESSORIES (included) | 2 tile rails, C-ring backing plate, Cut-out template |
| DIMENSIONS | (OD) 245mm x (D) 102mm (OD) 9.7in x (D) 4in |
| WEIGHT | 2.8kg (6.2lbs) |



ACS-55T

| | |
|------------------------------|--|
| TYPE | Compact, passive two-way ceiling speaker, ported bass reflex |
| FREQUENCY RESPONSE (1) | 98Hz-20kHz ± 3dB, -10dB @ 62Hz |
| DRIVERS | LF: 5.25" /1" high-temp voice coil, coated paper cone, rubber surround, ferrite motor, pressed steel chassis HF: 0.75" silk dome, neodymium motor |
| RATED POWER (2) | 50W AES, 200W peak |
| RECOMMENDED AMPLIFIER | VIA2004 (for low-impedance operation) |
| SENSITIVITY (4) | 90dB / 1W(4V) / 1m |
| MAXIMUM SPL (9) | 113dB peak |
| NOMINAL IMPEDANCE | 16 ohms |
| DISPERSION (-6dB) | 150° conical up to 7kHz |
| CROSSOVER | 3kHz passive (LF and HF auto-resetting fuses) |
| TRANSFORMER TAPS | 70V: 30w / 15w / 7.5w / 3.75w, 100V: 30w / 15w / 7.5w |
| RECOMMENDED HIGH-PASS FILTER | 65Hz 24dB/oct |
| ENCLOSURE | UL 94V-0 rated ABS baffle with steel backcan |
| FINISH | Baffle and grille: RAL9016 white, Backcan: zinc plated |
| GRILLE | Perforated steel, powder-coated, bayonet fitting |
| CONNECTORS | Ceramic connector (in and link) located behind fire-retardant steel cover |
| ACCESSORIES (included) | 2 tile rails, C-ring backing plate, Cut-out template |
| DIMENSIONS | (OD) 245mm x (D) 193mm (OD) 9.7in x (D) 7.6in |
| WEIGHT | 3kg (6.6lbs) |



ACP-55T

| | |
|------------------------------|--|
| TYPE | Passive two-way pendant speaker, ported bass reflex |
| FREQUENCY RESPONSE (6) | 98Hz-20kHz \pm 3dB -10dB @ 56Hz |
| DRIVERS | LF: 5.25" /1" high-temp voice coil, coated paper cone, rubber surround, ferrite motor, pressed steel chassis HF: 0.75" silk dome, neodymium motor |
| RATED POWER (2) | 50W AES, 200W peak |
| RECOMMENDED AMPLIFIER | VIA2004 (for low-impedance operation) |
| SENSITIVITY (7) | 86dB / 1W(4V) / 1m (full space) |
| MAXIMUM SPL (9) | 109dB Peak |
| NOMINAL IMPEDANCE | 16 ohms |
| DISPERSION (-6dB) | 150° conical up to 7kHz |
| CROSSOVER | 3kHz passive (LF and HF auto-resetting fuses) |
| TRANSFORMER TAPS | 70V: 30w / 15w / 7.5w / 3.75w 100V: 30w / 15w / 7.5w |
| RECOMMENDED HIGH-PASS FILTER | 65Hz 24dB/oct |
| ENCLOSURE | UL 94V-0 rated ABS baffle and enclosure |
| FINISH | Black or white |
| GRILLE | Perforated steel, powder-coated, bayonet fitting |
| CONNECTORS | Ceramic connector (in and link) |
| DIMENSIONS | (OD) 246mm x (D) 157 mm (175mm including grille) (OD) 9.7in x (D) 6.2in (6.9in including grille) |
| WEIGHT | 3.46kg (7.62lbs) |

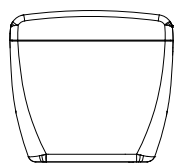
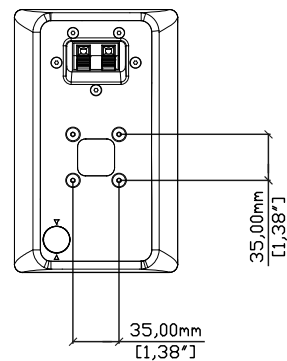
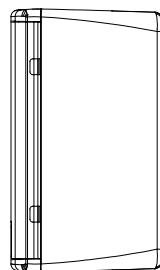
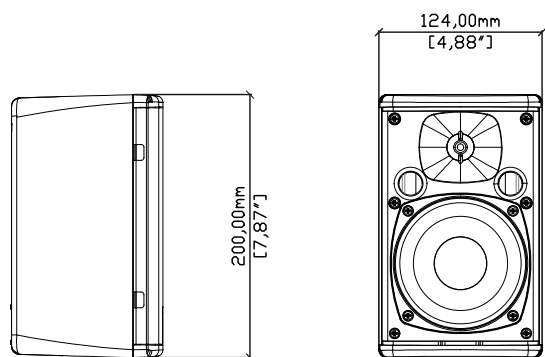
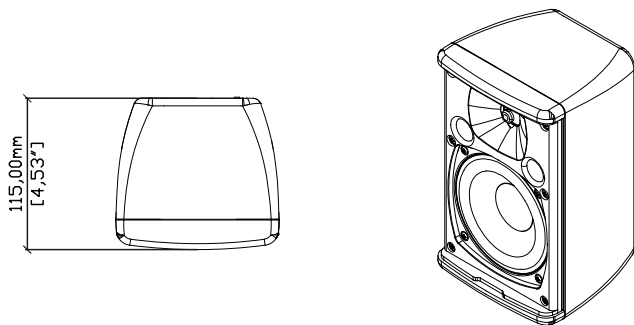


Notes

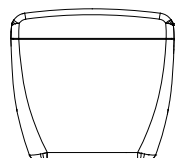
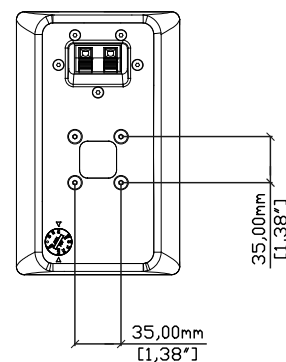
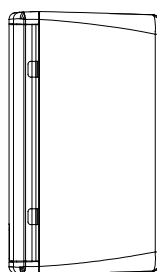
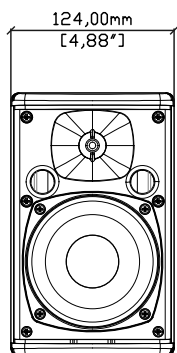
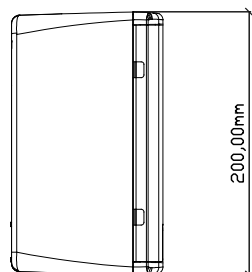
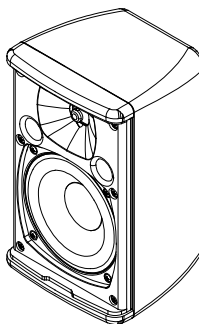
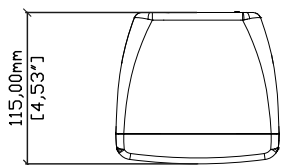
- (1) Measured on-axis in half (2pi) space at 2 metres, then referred to 1 metre.
- (2) AES Standard ANSI S4.26-1984.
- (3) Measured in half (2pi) space at 2 metres with 1 watt input, using band limited pink noise, then referred to 1 metre.
- (4) Measured in half (2pi) space at 2 metres using band limited pink noise, then referred to 1 metre.
- (5) Measured on-axis in open (4pi) space at 2 metres, then referred to 1 metre.
- (6) Measured in open (4pi) space at 2 metres with 1 watt input, using band limited pink noise, then referred to 1 metre.
- (7) Measured in open (4pi) space at 2 metres using band limited pink noise, then referred to 1 metre.
- (8) Measured in open (4pi) space at 2 metres with 2.83v input, using band limited pink noise, then referred to 1 metre.
- (9) Calculated at 1 metre.
- (10) Measured in half (2pi) space at 2 metres with 2.83V input, using band limited pink noise, then referred to 1 metre.

Technical Drawings

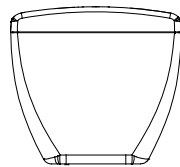
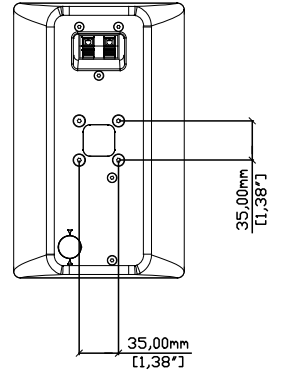
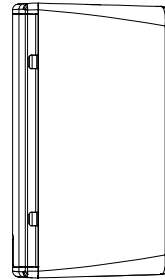
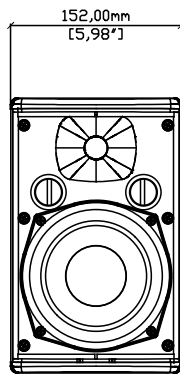
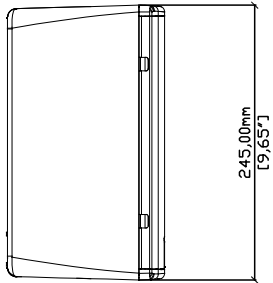
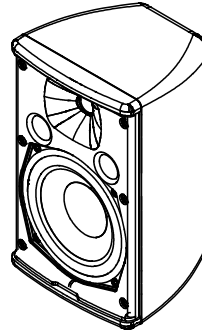
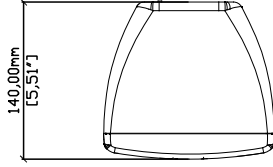
A40



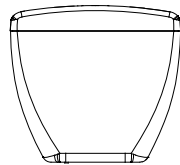
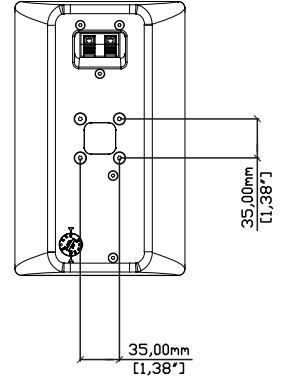
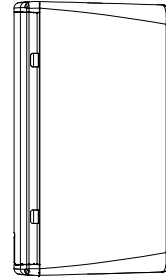
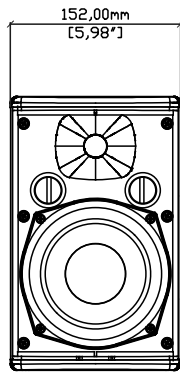
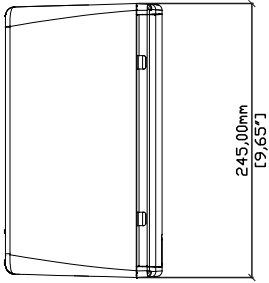
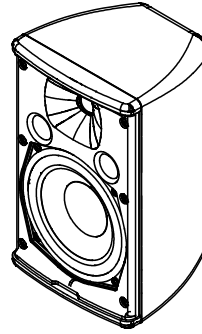
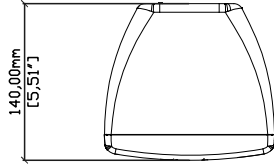
A40T



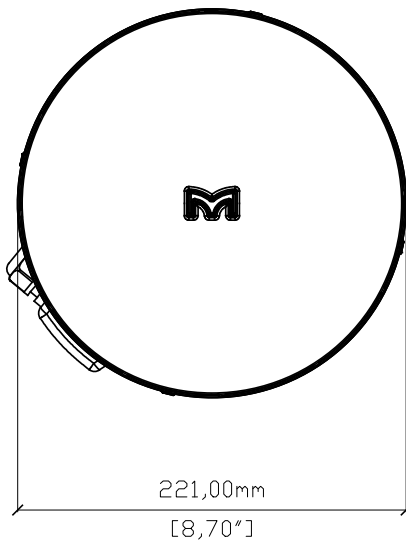
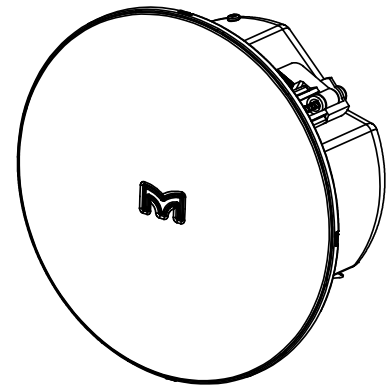
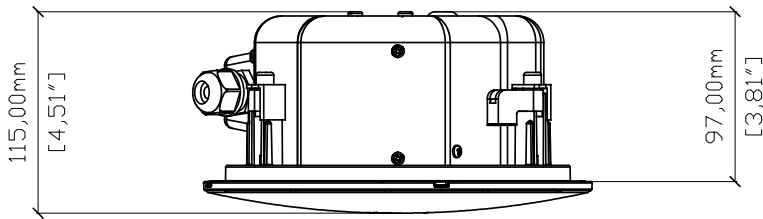
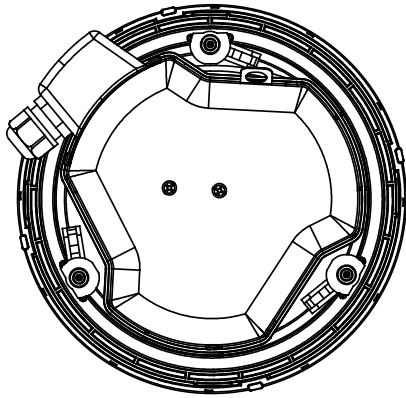
A55



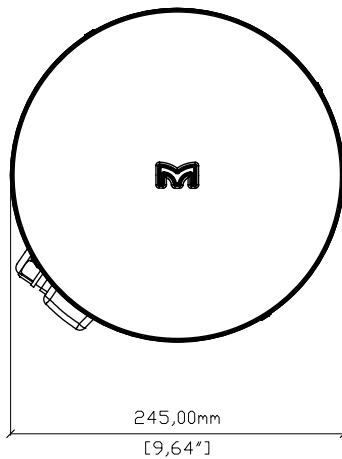
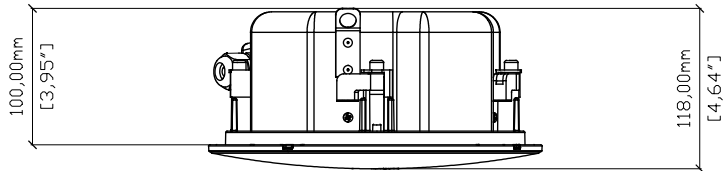
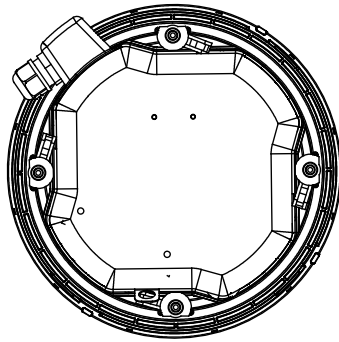
A55T



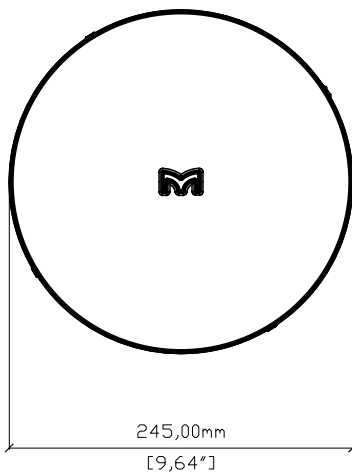
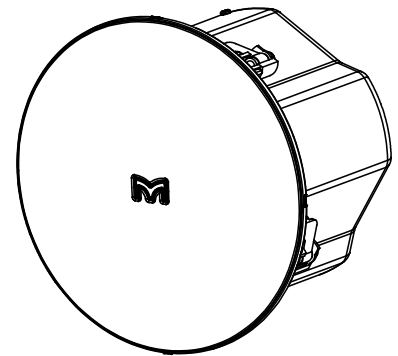
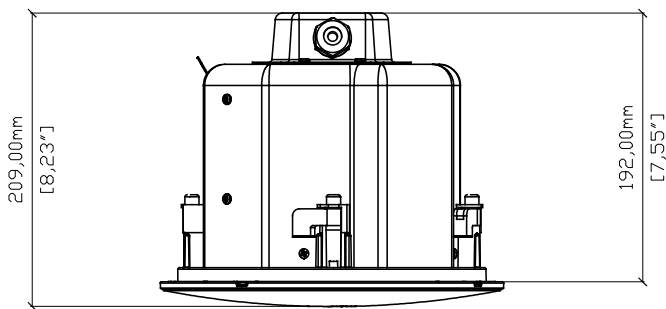
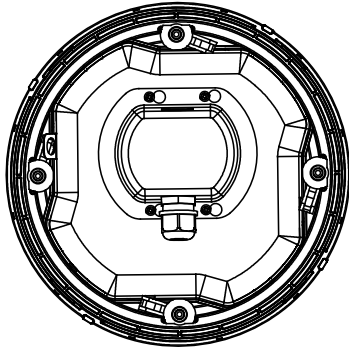
ACS-40TS



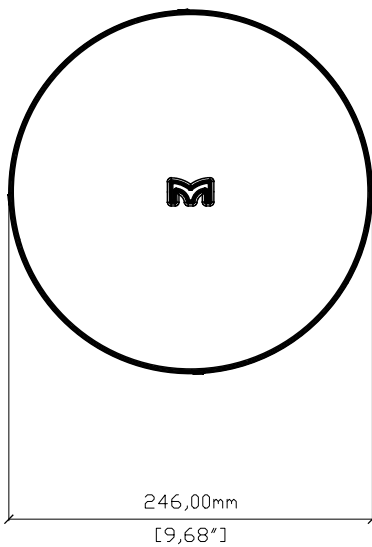
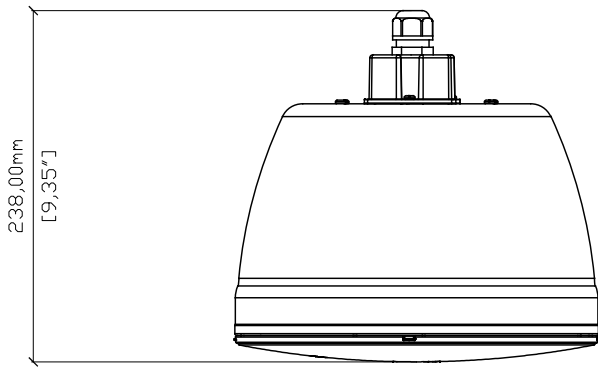
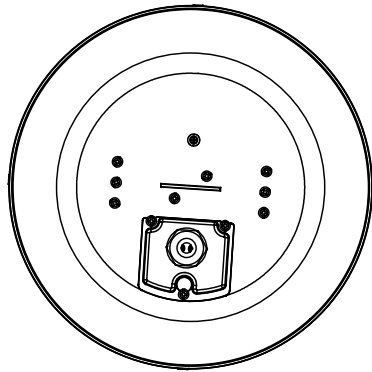
ACS-55TS



ACS-55T



ACP-55T



Warranty

Warranty Statement

Martin Audio ADORN series loudspeakers are warranted against manufacturing defects in materials or craftsmanship over a period of 5 years from the date of original purchase. During the warranty period Martin Audio will, at its discretion, either repair or replace products which prove to be defective provided that the product is returned in its original packaging, shipping prepaid, to an authorised Martin Audio service agent or distributor. Martin Audio Ltd. cannot be held responsible for defects caused by unauthorised modifications, improper use, negligence, exposure to inclement weather conditions, act of God or accident, or any use of this product that is not in accordance with the instructions provided by Martin Audio. Martin Audio is not liable for consequential damages. This warranty is exclusive, and no other warranty is expressed or implied. This warranty does not affect your statutory rights.

COPYRIGHT AND TRADEMARKS

Copyright Martin Audio Ltd. Martin Audio and ADORN series are trademarks of Martin Audio Ltd and are registered in the United Kingdom, United States and other countries. All other trademarks and trade names are the property of their respective owners.

2020 © Martin Audio Limited. All rights reserved.

Martin Audio Limited

Century Point

Halifax Road

Cressex Business Park

High Wycombe

Buckinghamshire

HP12 3SL

England

FOR SALES ENQUIRIES:

UK

Telephone: +44 (0)1494 535312

E-mail: info@martin-audio.com

NORTH AMERICA

Telephone: 323-381-5310

www.martin-audio.com

All information is Copyright © 2021 Martin Audio Ltd.

Martin Audio, the Martin Audio logo and Hybrid are registered trademarks of Martin Audio Ltd. in the United Kingdom, United States and other countries; all other Martin Audio trademarks are the property of Martin Audio Ltd.

