

## APB-116 P

- Audio Press Box – Active, Portable, 1x MIC/Line Input, 16 Line/MIC Out, AccuPack 10 hours



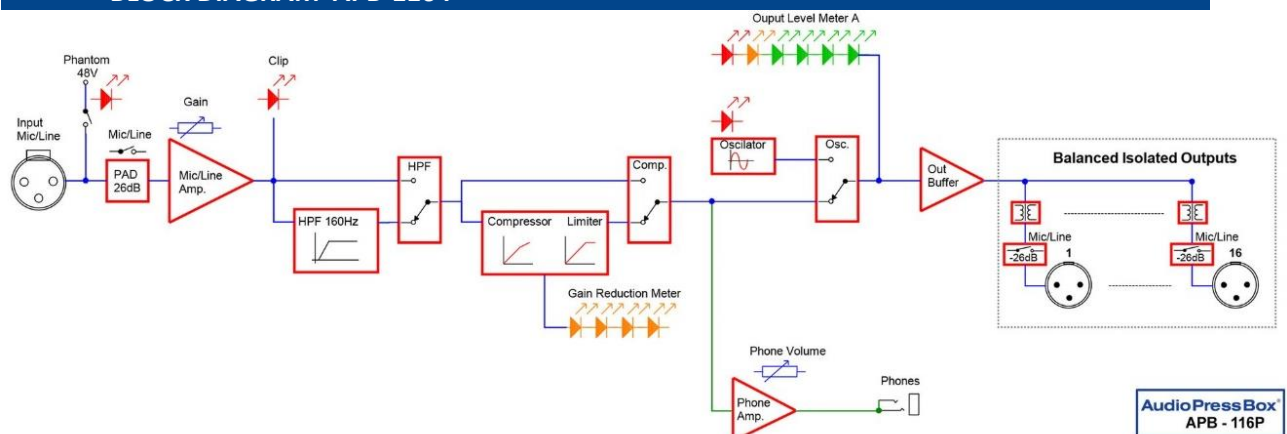
### FEATURES

- 1 MIC (phantom power) / LINE Input – balanced with gain control and 26dB PAD
- 16 High quality internal balanced Outputs, independent transformer isolated
- Each Output is switchable between MIC or LINE level
- Switchable High-Pass filter for each Input channel
- Switchable Compressor and Limiter for each Input channel
- Constant level Test signal oscillator with no mistake switch operation
- Headphones control Output
- Li-Ion AccuPack with microprocessor controlled battery management
- 10 hour full load capacity. Note: AccuPack is placed inside the unit

### ADVANTAGES

- **Professional**  
APB is a sophisticated tool for professional audio distribution at press conferences, presentations and other events.
- **Easy to use**  
Perfect signal conditioning means securing a high quality, constant and identical signal for all connected users, without possibility of interacting.

### BLOCK DIAGRAM APB-116 P



# Audio Press Box<sup>®</sup>

## Audio Press Box APB-116 P

Type	1 in16 out - portable	
Groups	1	
<b>Input section</b>		
Inputs	1	
Input connectors	Balanced, XLR	
Max. input level	Limiter ON	Limiter OFF
	Mic: -10/-30dBu Line: +36/-4dBu	Mic: -2/-42dBu Line: +24/-16dBu
Phantom Voltage	48V	
Input Impedance	Mic: 2,4 kOhm	Line: 3,5 kOhm
<b>Output section</b>		
Outputs	16 Line/MIC level	
Output connectors	Balanced, XLR	
Nominal Output Level	+6dBu	
Maximum Output Level	+20dBu (no load) +14dBu (600kOhm)	
Output impedance	Mic: 220 Ohm	Line: 600 Ohm
Transformer isolated outputs:	Yes <b>(each output)</b>	
SNR	86dB	
Frequency Response	30/160Hz (filter) to 30kHz/-1dB	
Controls	Mic/Line PAD, Input gain, Phantom, High-pass filter, Compressor, Oscillator, Phones level, Power, Output PAD	
Indicators	Input clip, Phantom power, Output level, Gain reduction, Power, Battery status (with battery option)	
Power Supply	24V DC, 300mA external adaptor	
Battery	Li-Ion, 14,4V 2200mAh	
Battery Operation Time	min. 12hrs	
Dimensions (WxHxD)	280x120x230mm	
Weight	3,5 kg	