

## APB-116 SB

- Audio Press Box – Active, Portable, 1x **LINE** Input, 16 Line/MIC Outputs, AccuPack 10 hours



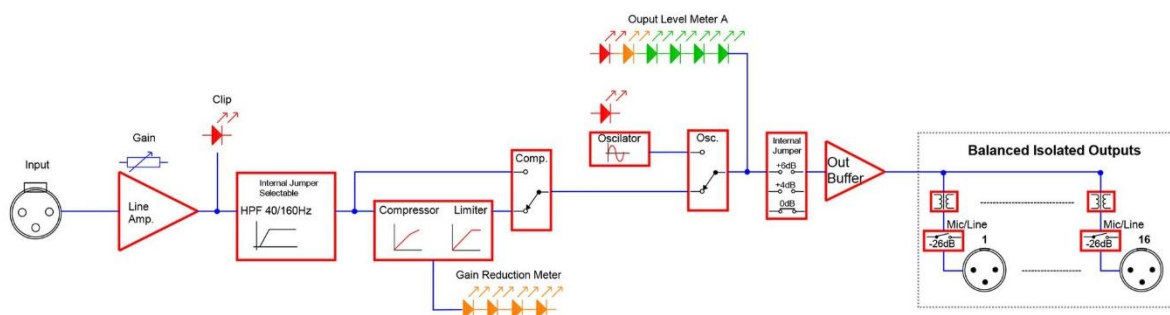
### FEATURES

- 1x LINE Input – balanced with adjustable gain -10db to +20 dB
- 16 High quality independent transformer balanced and isolated outputs
- Each Output is switchable between MIC or LINE level
- Built in High-Pass filter on the frequency of 40Hz
- Switchable Compressor and Limiter for Input channel
- Nominal Output level is selectable -6 dBu, 0 dBu, +4 dBu and +6 dBu
- Li-Ion AccuPack with microprocessor controlled battery management
- 10 hour full load capacity. Note: AccuPack is placed inside the unit

### ADVANTAGES

- **Professional**  
APB is a sophisticated tool for professional audio distribution at press conferences, presentations and other events.
- **Easy to use**  
Perfect signal conditioning means securing a high quality, constant and identical signal for all connected users, without possibility of interacting.

### BLOCK DIAGRAM APB-116 SB



# Audio Press Box<sup>®</sup>

## Audio Press Box APB-116 SB

Type 1 IN/ 16

Groups 1

### Input section

Inputs 1

Input connectors Balanced, XLR

Max. input level Line: +32/+2dBu

Input Impedance >5kOhm

### Output section

Outputs 16 Line/MIC level

Output connectors Balanced, XLR

Nominal Output Level -6/0/+4/+6 dBu

Max. Output Level +20dBu (no load) +16dBu (600kOhm)

Output impedance Mic: 220 Ohm Line: 600 Ohm

Transformer isolated outputs: Yes (**each output is Independant Transformer Isolated**)

SNR 86dB at 0dB Gain 78dB at +20dB Gain

Frequency Response 30/160Hz (filter) to 60kHz/-1dB

Controls Input gain, Compressor, Power, Output PAD

Indicators Input clip, Output level, Gain reduction, Power, Battery status

Power Supply 24V DC, 300mA external adaptor

Battery Li-Ion, 7.2V 2200mAh (optional) , operation time 10 hours

Dimensions (WxHxD) 150x70x300mm

Weight 3,2 kg