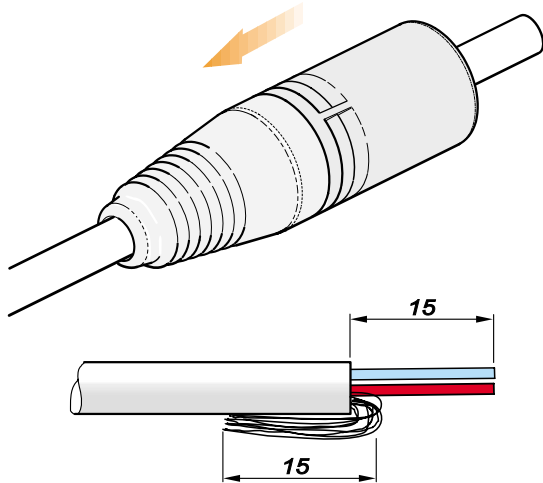
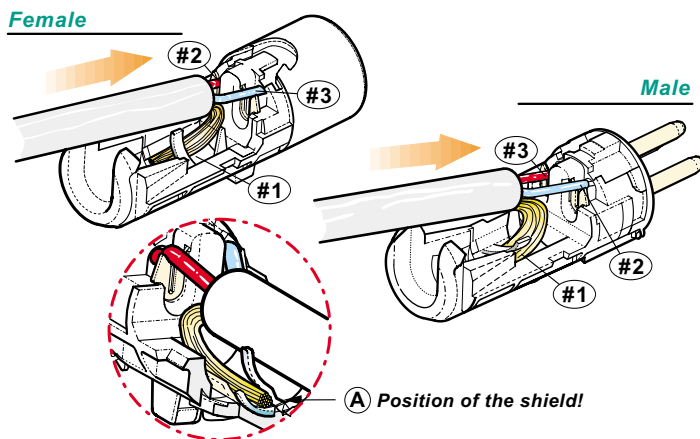


Assembly Instructions



- First slide the housing onto the cable.

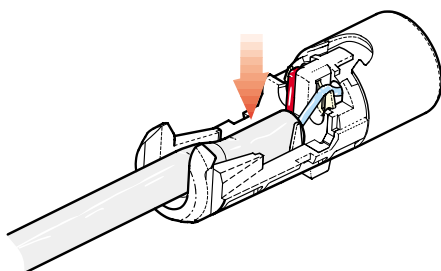
- Strip cable jacket and wires according to figure.
- Twist the shielding strands and bend the shield back over the jacket.



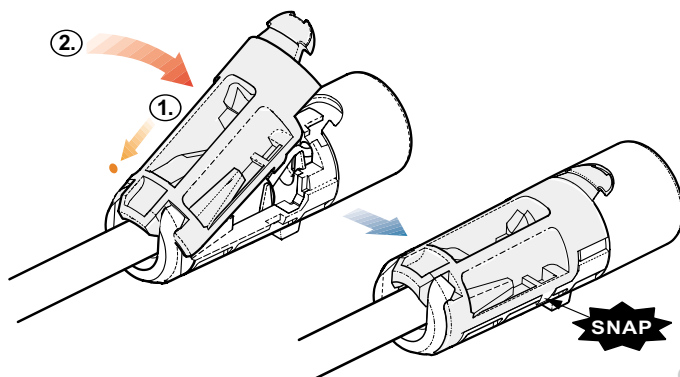
- Slide the prepared end of the cable into the contact holes.

- 1 shield
- 2 + 3 signal wires

- Position the shield between the finger **A**



- Position the cable in the insert so that the shield is between the ground contact and the jacket.

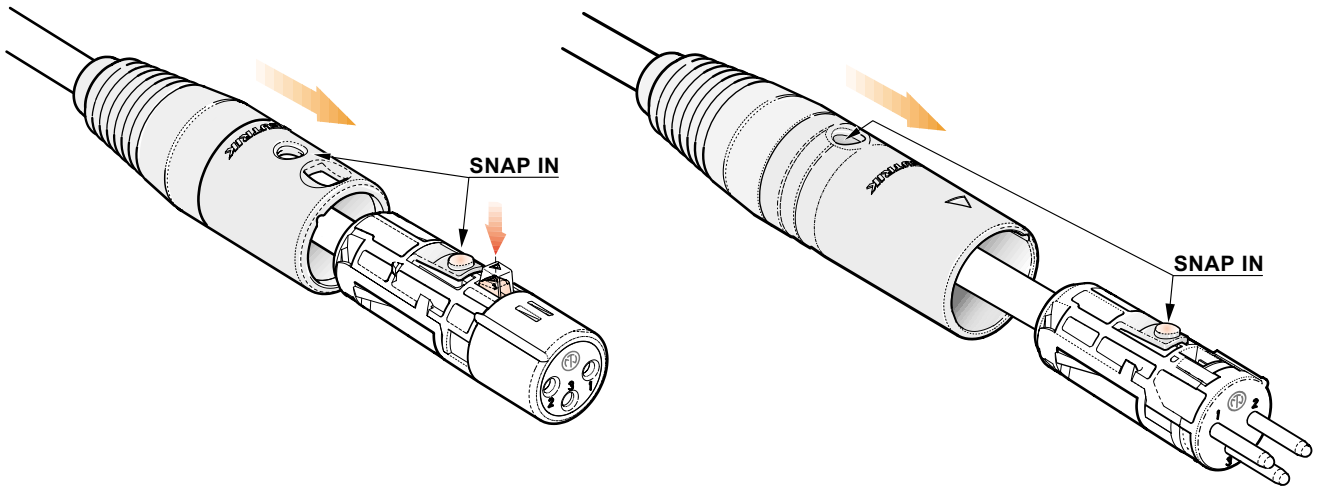


- Hold cable and insert in this position and put the cable retention element onto the insert .

- Press the cable retention down to the base part until it snaps in.

- Push the complete insert into the housing as shown (pay attention to the correct alignment between shell and assembly).

NOTE Female connector:
Press down the latching spring (PUSH) before entering the housing.



The assembly is finished when:

Female:

- The insert has snapped into the housing and the latch has returned to its original position.

Male:

- The insert has snapped into the housing.

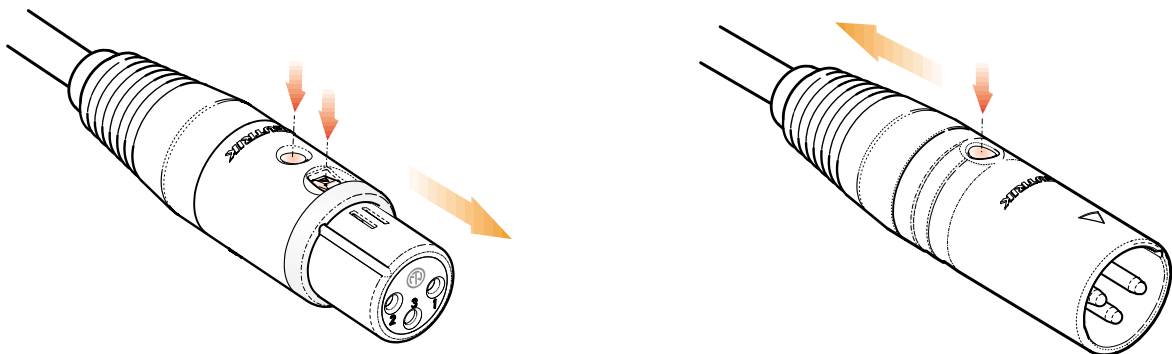
Disassembly:

Female:

- Press the latching and the mating face completely down.
- Push the insert with the cable out of the housing.

Male:

- Press the mating face completely down and push the insert with the cable out of the housing.



NEUTRIK AG
Liechtenstein

Tel.: +423/237 24 24
Fax: +423/232 53 93
www.neutrik.com

NEUTRIK Zürich AG
Switzerland

Tel.: +41 1/736 5010
Fax: +41 1/736 5011

NEUTRIK (UK) Ltd.
Great Britain

Tel.: +44 19 83/811 441
Fax: +44 19 83/811 439

NEUTRIK USA INC.
USA

Tel.: +1 732/901 9488
Fax: +1 732/901 9608

NEUTRIK Tokyo Ltd.
Japan

Tel.: +81/3/5411 25551
Fax: +81/3/5411 2827

NEUTRIK Vertriebs GmbH
Germany / Netherlands

Tel.: +49 8131/28 08-0
Fax: +49 8131/28 08-30

Draft Nr.: BDA 14-1 / 3102M0751
Update: 18.06.2001



NEUTRIK®

CONNECTING THE WORLD