

Description

Lowell grille Model LO-8P is molded from high-impact polystyrene plastic. It features a flush trim ring with a round interior rim and honeycomb shaped center grille that provides a 60% open area for maximum sound transmission of an 8" loud-speaker. Model LO-8P is ideal for use in offices, hotels, schools, medical, retail, and commercial facilities where a plastic grille is preferred over a steel or aluminum material.

Model LO-8P features four concealed screw bosses with self-tapping Phillips-head zinc screws for efficient loudspeaker mounting without visible hardware. The speaker-grille assembly mounts to the backbox or mounting ring (order separately - see page 2) using four white 8-32 x 1-1/2" Phillips-head screws provided. The grille is white plastic and may be painted to match or contrast architectural decor.

Lowell offers a wide selection of 8" speaker drivers with optional 70V or 25V transformer for distributed voice paging and music. Popular 8" drivers include Model 805 (12W dual cone), 810 (15W dual cone), 8C10MRA (15W moisture resistant), CT830 (20W coaxial), CT8320 (25W coaxial), and 8A50 (50W coaxial).



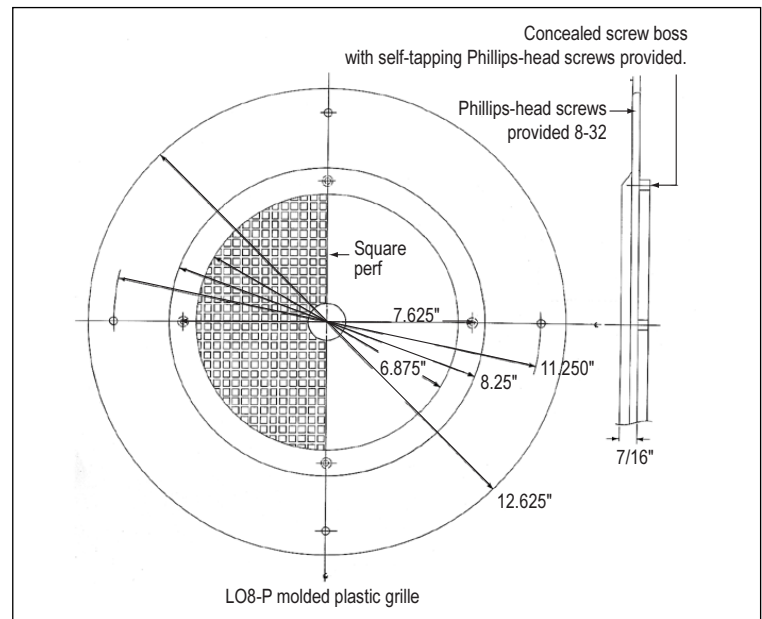
LO-8P

Plastic grille with 4 screws, 4 concealed speaker screw bosses, and white epoxy finish

A & E Specifications

The grille for 8" speaker drivers shall be Lowell Model LO-8P. The grille shall be molded high-impact polystyrene plastic with a flush trim ring and a round honeycomb perforation pattern. The grille diameter shall be 12.625" with a mounting projection from the ceiling of 0.437". The grille shall have four concealed screw bosses spaced at 90 degree intervals for mounting the specified 8" speaker using self-tapping screws provided. It shall also have four 0.25" holes spaced at 90 degree intervals on a 11.25" bolt circle for mounting specified back-box or mounting ring using white screws provided. Model LO-8P shall be white plastic suitable for painting.

Companion backbox or mounting ring shall be Lowell Model _____. Companion tile bridge or channel rails for suspended installations shall be Lowell Model _____.



Grille Specifications and Companion Mounting Accessories (order separately)

Grille Model	Speaker Size*	Grille Size	Mounting Provisions	Material	Color	Backbox or Mtg. Ring Choices (Choose one, plus tile bridge or rails if required.)	T-Bridge or Rails (if required for suspended ceilings)
LO-8P	8"	12.625" Dia.	4 screws, 4 screw bosses	Plastic	White	CP84, CP87, CP810, DX58, DX108.....	LBS8-CP or SS Rails
						XCP84, XCP87, XCP810, 8XD4, 8PSBX	LBS8 or LBS8-R1
						RF841, RF871	N.A.
						No backbox desired	LBS8 or LBS8-R1
						Mtg ring instead of backbox: PR8(-1624), RMP8, XPR8	N.A.

*Lowell offers a wide selection of 8" speakers with factory wired 70V or 25V transformers - see list in the Description paragraph or get specifications on the website.



LO-8P

Plastic Grille with Screw-mount Installation for 8" Speakers

Companion mounting accessories for grille Model LO-8P (order separately)

A U D I O

12"/10"
Speakers & Accessories


8"
Speakers & Accessories

6"
Speakers & Accessories

4"
Speakers & Accessories

Horn
Speakers & Accessories

Masking
Speakers & Generators

Control
Accessories & Electronics

Grilles - Ceiling / Wall



Backbox Details (Choose one backbox or mounting ring, plus tile bridge or rails if required)

Model	Size	Features	Option (suffix model)
CP84	11.938"Dia. x 4.063"D	Extended lip for sheetrock	---
CP87	11.938"Dia. x 6.687"D	Extended lip for sheetrock + batting	---
CP810	11.938"Dia. x 10.063"D	Extended lip for sheetrock + batting	---
DX58	11.938"Dia. x 8"D	.5 cu.ft., Extended lip + batting	---
DX108	15"Dia x 10.125"D	1 cu.ft., Extended lip + batting	---
RF841	10.063"Dia. x 4.063"D	Retrofit w tension brkt.	---
RF871	10.063"Dia. x 6.688"D	Retrofit w tension brkt.	---
XCP84	10.063"Dia. x 4.063"D	Flat flange for tile ceiling	-S (straps)
XCP87	10.063"Dia. x 6.687"D	Flat flange for tile ceiling + batting	-S (straps)
XCP810	10.063"Dia. x 10.063"D	Flat flange for tile ceiling + batting	-S (straps)
8PSBX*	10"Dia. x 4"D	Plastic, stacks for warehousing	---
8XD4*	10"Dia. x 4"D	Steel, stacks for warehousing	-P (plenum), -S (straps)

* Stackable Models 8PSBX and 8XD4 have a conical shape that will not accept a speaker with a large transformer such as TLM870.

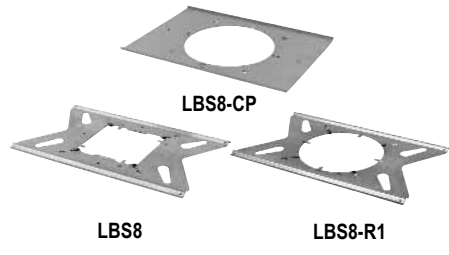
Mounting Ring Details (Choose one backbox or mounting ring, plus tile bridge or rails if required)

Model	Size	Features
PR8	13.25" Dia	Extended lip for sheetrock, steel
PR8-1624	13.25" Dia with ears	Extended lip for sheetrock plus mounting ears for 16" & 24" studs, steel
RMP8	13.813" Dia.	Plastic
XPR8	11.75" Dia.	Flat flange for tile ceiling, steel



Tile Bridge Details (use tile bridge or rails if required for suspended ceiling)

Model	Size	Features
LBS8-CP	23.75"L	Requires noted backbox
LBS8	23.75"L	8.5"SQ opening with screw or Twist n' Lock backbox mounting
LBS8-R1	23.75"L	10.75"Dia opening with screw or Twist n' Lock backbox mounting



Channel Rail Details (use tile bridge or rails if required for suspended ceiling)

Model	Size
SS-24	23.75"L
SS-30	30"L
SS-48	47.75"L

