

Makes the sonic image come alive when used as an ambience microphone.
Can also be used inside grand pianos or in conference rooms.

- **Hemisphere**
- **12 - 52 V phantom**

Frequency response (see graph)	40 - 20 000 Hz
Polar pattern	PZM Hemisphere*
Max. SPL (1 % THD at 1 kHz)	110 dB
Sensitivity at 1kHz	9 mV / Pa \pm 1 dB
A-weighted noise level(IEC 179-A)	24 dB
Power supply	12 - 52 V phantom
Current consumption	1 mA
Output impedance	< 200 Ω
Minimum load impedance	1 k Ω
Connection	3-pin XLR

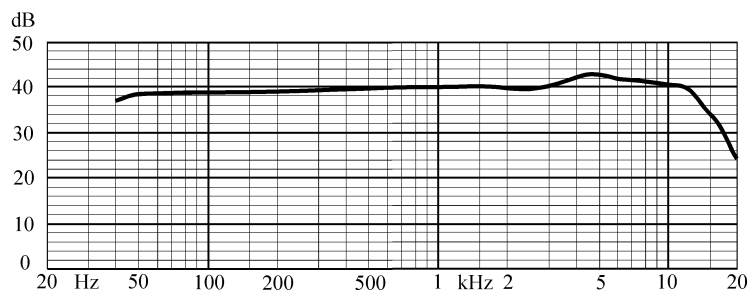
pin 1: earth (Shield)
pin 2: plus (Hot)
pin 3: minus (Cold)

<i>Microphone:</i> Net weight	66 g
Lenght	25 mm
Diameter	74 mm
<i>Amplifier:</i> Net weight	80 g
Lenght	109 mm
Diameter	25 mm
Cable length	2 m

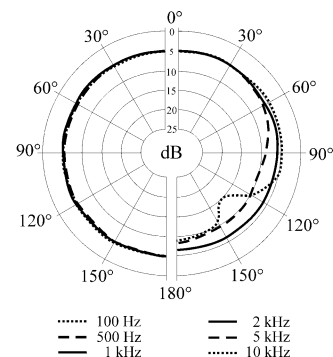
* The PZM trademark is owned by Crown International Inc. US Patent 4 361 736.

Frequency response (at 1m distance)

The frequency response may vary within $\pm 2,5$ dB of the published graph.
Before delivery, each microphone is measured and accompanied with it's own graph.



Polar diagram



Milab Microphones AB

Mailing address
P. O. Box 1342
S-251 13 HELSINGBORG
SWEDEN

Office address
Norra Strandgatan 4

Phone
+46 42 381620

Fax
+46 42 136350

E-mail
milab@milabmic.com
Internet
www.milabmic.com