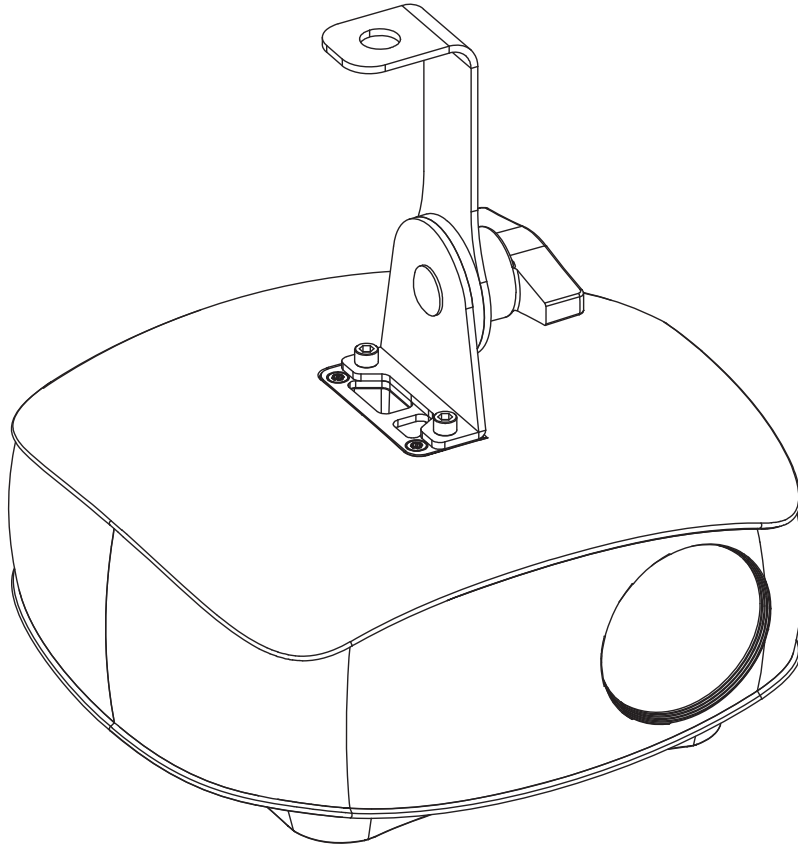


# ELIMINATOR<sup>®</sup>

LIGHTING



# COSMIC BURST

User Manual

©2023 ADJ Products, LLC all rights reserved. Information, specifications, diagrams, images, and instructions herein are subject to change without notice. Eliminator Lighting logo and identifying product names and numbers herein are trademarks of ADJ Products, LLC. Copyright protection claimed includes all forms and matters of copyrightable materials and information now allowed by statutory or judicial law or hereinafter granted. Product names used in this document may be trademarks or registered trademarks of their respective companies and are hereby acknowledged. All non-Eliminator brands and product names are trademarks or registered trademarks of their respective companies.

**ADJ Products, LLC** and all affiliated companies hereby disclaim any and all liabilities for property, equipment, building, and electrical damages, injuries to any persons, and direct or indirect economic loss associated with the use or reliance of any information contained within this document, and/or as a result of the improper, unsafe, insufficient and negligent assembly, installation, rigging, and operation of this product.

## DOCUMENT VERSION



Due to additional product features and/or enhancements, an updated version of this document may be available online.

Please check [www.adj.com](http://www.adj.com) for the latest revision/update of this manual before beginning installation and/or programming.

Date	Document Version	Software Version	DMX Channels	Notes
10/27/2022	1.0	1.0	6 / 7 ch.	Initial Release
02/28/2023	1.1	N/C	No Change	Updated Dimensional Drawing, Specifications

Europe Energy Saving Notice

Energy Saving Matters (EuP 2009/125/EC)

Saving electric energy is a key to help protecting the environment. Please turn off all electrical products when they are not in use. To avoid power consumption in idle mode, disconnect all electrical equipment from power when not in use. Thank you!

# TABLE OF CONTENTS

Introduction	4
Limited Warranty (USA Only)   Warranty Registration	5
Features	6
Safety Precautions	7
Overview	9
Installation	10
Remote Device Management (RDM)	12
Control Panel	13
System Menu	14
DMX Set Up	16
DMX Traits	19
Primary-Secondary Set Up	20
Maintenance Guidelines	21
Dimensional Drawings	22
Specifications	23

## INTRODUCTION

**Unpacking:** Thank you for purchasing the Cosmic Burst. Every device has been thoroughly tested and has been shipped in perfect operating condition. Carefully check the shipping carton for damage that may have occurred during shipping. If the carton appears to have been damaged, carefully inspect your fixture for any damage and be sure all accessories necessary to operate the unit have arrived intact. In the event that damage has been found or parts are missing, please contact our toll free customer support number for further instructions. Do not return this unit to your dealer without first contacting customer support.

**Introduction:** The Cosmic Burst is a laser burst beam effect. It features a single 10W laser module, OLED display, and 5-channel DMX control.

**Customer Support:** Contact ADJ Service for any product related service and support needs. Also visit [forums.adj.com](http://forums.adj.com) with questions, comments or suggestions.

**Parts:** To purchase parts online visit:

<http://parts.adj.com> (US)

<http://www.adjparts.eu> (EU)

**ADJ SERVICE USA - Monday - Friday 8:00am to 4:30pm PST**

Voice: 800-322-6337 | Fax: 323-582-2941 | [support@adj.com](mailto:support@adj.com)

**ADJ SERVICE EUROPE - Monday - Friday 08:30 to 17:00 CET**

Voice: +31 45 546 85 60 | Fax: +31 45 546 85 96 | [support@adj.eu](mailto:support@adj.eu)

### ADJ PRODUCTS LLC USA

6122 S. Eastern Ave. Los Angeles, CA. 90040

323-582-2650 | Fax 323-532-2941 | [www.adj.com](http://www.adj.com) | [info@adj.com](mailto:info@adj.com)

### ADJ SUPPLY Europe B.V

Junostraat 2 6468 EW Kerkrade, The Netherlands

+31 (0)45 546 85 00 | Fax +31 45 546 85 99

[www.americandj.eu](http://www.americandj.eu) | [info@americandj.eu](mailto:info@americandj.eu)

### ADJ PRODUCTS GROUP Mexico

AV Santa Ana 30 Parque Industrial Lerma, Lerma, Mexico 52000

+52 (728) 282-7070

**CAUTION!** This device is intended for indoor use only! Do not expose to rain or moisture!

**CAUTION!** There are no user serviceable parts inside this unit. Do not attempt any repairs yourself, as doing so will void your manufacturer's warranty. In the unlikely event your unit may require service, please contact ADJ Products, LLC.

*Do not discard the shipping carton in the trash. Please recycle when ever possible.*

## LIMITED WARRANTY (USA ONLY)

**1 Year Limited Warranty:** The Eliminator Lighting warranty is valid for 1 year from the date of purchase. Our 1 year limited warranty covers manufacturing defects only. The serial number of your device and the place of purchase with dated valid receipt must be submitted at time of service. The Eliminator Lighting warranty does not cover items or parts prone to wear and tear: lamps, fuses, brushes and belts. Eliminator Lighting warranty is only valid within the United States.

To register your Eliminator Lighting product online, please click here to the ADJ Warranty Registration Page:  
<https://www.adj.com/portal/user/register/>

## WARRANTY REGISTRATION

Please fill out the enclosed warranty card to validate your purchase. All returned service items, whether under warranty or not, must be freight pre-paid and accompanied by a return authorization (R.A.) number. The R.A. number must be clearly written on the outside of the return package. A brief description of the problem as well as the R.A. number must also be written down on a piece of paper included in the shipping carton. If the unit is under warranty, you must provide a copy of your proof of purchase invoice. You may obtain an R.A. number by contacting our customer support team. All packages returned to the service department not displaying an R.A. number on the outside of the package will be returned to the shipper.

## **FEATURES**

- 1 x 10W laser module
- Smooth dimming 0-100%
- Adjustable strobe effect
- OLED display
- 6/7-channel DMX control
- DMX-512 and RDM protocols
- 3-pin XLR Data In/Out ports
- IP20 rating

## **INCLUDED ITEMS**

- Power Cable (x1)

# SAFETY PRECAUTIONS

LASER ACCESSION NUMBER: 2210851-000



*After completing setup, and before public use, test the laser to ensure proper function. Do not use if any defects are detected. Do not use if the laser emits only a few laser beams rather than dozens/hundreds, as this could indicate damage to the diffraction grating optic, and could allow emission of laser intensity levels that exceed Class 3R.*

- Do not point lasers at people or animals. Never look into the laser aperture or directly at laser beams.
- Do not point lasers into areas with a high risk of unintentional or harmful exposure, such as uncontrolled balconies, etc.
- Do not point lasers at highly reflective surfaces, such as windows, mirrors, and shiny metal. Even laser reflections can be hazardous.
- Never point a laser at aircraft. This is a federal offense.
- Never point un-terminated laser beams into the sky.
- Do not expose the output optic (aperture) to cleaning chemicals.
- Do not use if the laser appears to be emitting only a few beams.
- Do not use if the housing is damaged, the housing is open, or if the optics appear damaged in any way.
- Never open the laser housing. The high laser power levels inside of the protective housing can start fires, burn skin, and will cause instantaneous eye injury.
- Never leave this device running unattended.
- The operation of a class 3R laser show is only allowed if the show is controlled by a skilled and well-trained operator who is familiar with the information enclosed in this manual.
- **The legal requirements for using laser entertainment products vary from country to country. The user is responsible for determining the legal requirements at the location/country of use.**
- Always use proper lighting safety cables when hanging lights and effects overhead.

## SAFETY PRECAUTIONS



**PROTECTION CLASS 1 - FIXTURE MUST BE PROPERLY GROUNDED.**



**THERE ARE NO USER SERVICEABLE PARTS INSIDE THIS UNIT. DO NOT ATTEMPT ANY REPAIRS YOURSELF, AS DOING SO WILL VOID YOUR MANUFACTURER'S WARRANTY. DAMAGES RESULTING FROM MODIFICATIONS TO THIS FIXTURE AND/OR THE DISREGARD OF SAFETY INSTRUCTIONS AND GUIDELINES IN THIS MANUAL VOID THE MANUFACTURER'S WARRANTY AND ARE NOT SUBJECT TO ANY WARRANTY CLAIMS AND/OR REPAIRS.**



**INDOOR USE ONLY! DO NOT EXPOSE TO RAIN OR MOISTURE!**

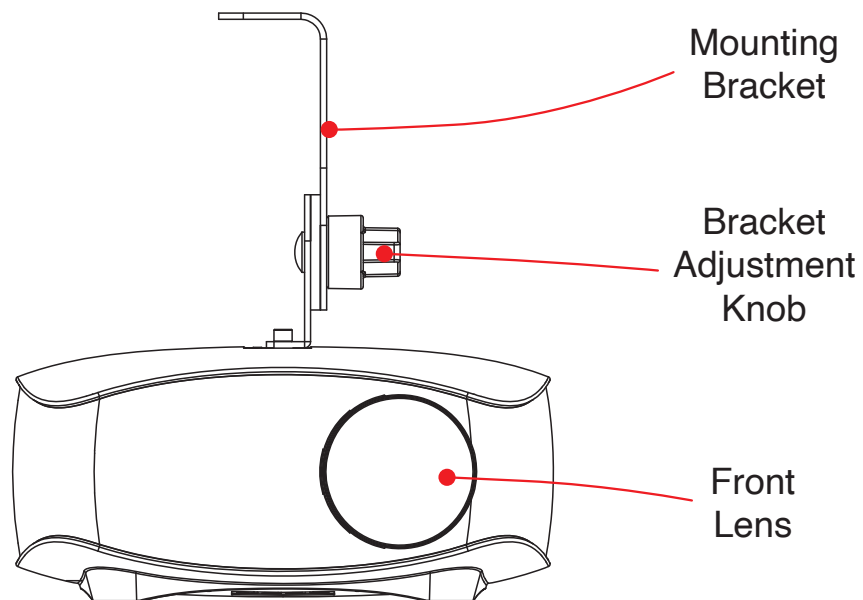
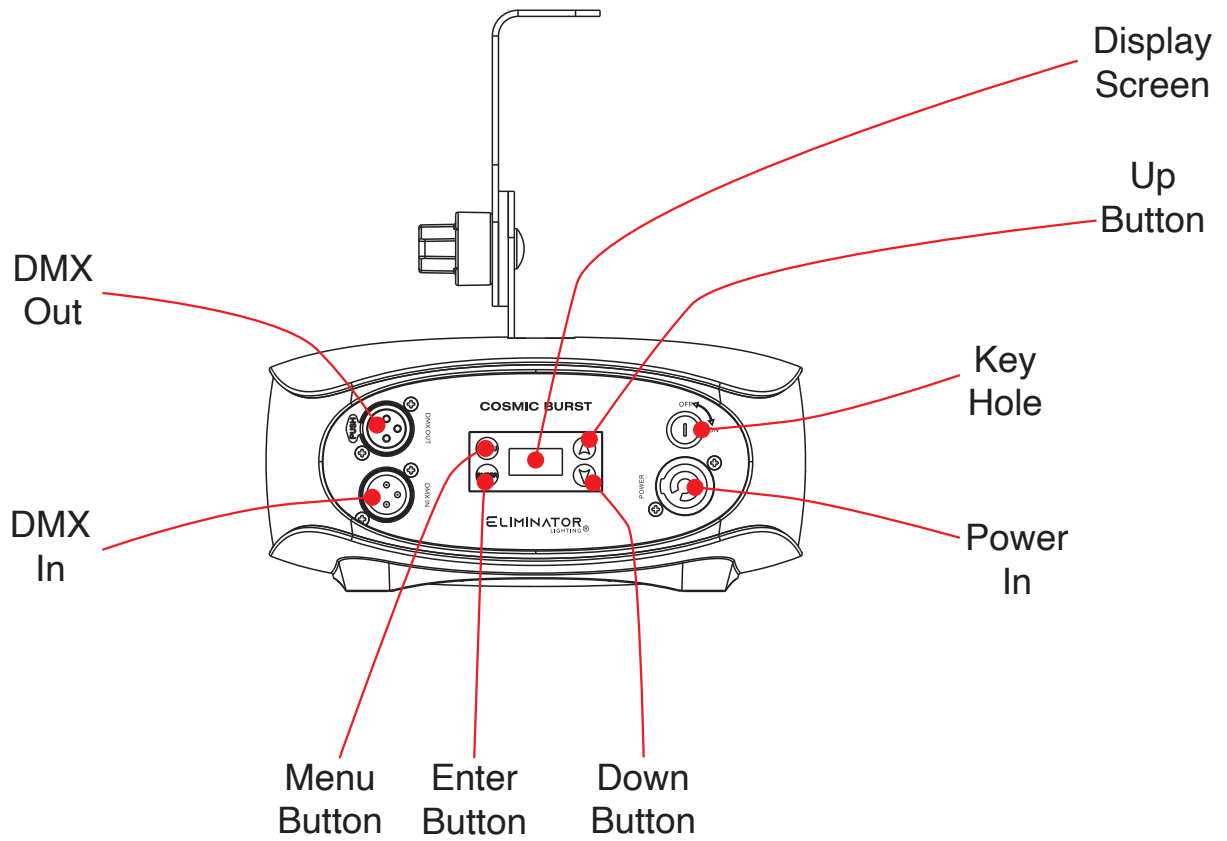


**NEVER LOOK DIRECTLY INTO THE LIGHT SOURCE!  
RETINA INJURY RISK - MAY INDUCE BLINDNESS!  
SENSITIVE PERSONS MAY SUFFER AN EPILEPTIC SHOCK!**

- **Maximum ambient operating temperature is 104° F (40° C)!**
- DO NOT TOUCH the fixture housing during operation. Disconnect the power and allow approximately 15 minutes for the fixture to cool down before servicing.
- DO NOT shake the fixture, and avoid brute force when installing and/or operating the fixture.
- DO NOT operate the fixture if the power cord has become frayed, crimped and/or damaged. If the power cord is damaged, replace immediately with a new one of the same power rating.
- DO NOT attempt to remove or break off the ground prong from the electrical cord. This prong is used to reduce the risk of electrical shock and fire in case of an internal short.
- DO NOT attempt to operate this unit if it has been damaged in any way.
- DO NOT spill water or other liquids into or on to your unit.
- Disconnect from main power before making any type of connection.
- DO NOT block any air ventilation slots. All fan and air inlets must remain clean and never blocked. Allow approx. 20" (50cm) between fixture and other devices or a wall for proper cooling.
- Always be sure to mount this unit in an area that will allow proper ventilation. Allow about 20" (50cm) between this device and a wall.
- DO NOT remove the cover for any reason.
- When installing fixture in a suspended environment, always use mounting hardware that is no less than M10 x 25mm, and always install fixture with an appropriately rated safety cable.
- Never plug this unit in to a dimmer pack.
- During long periods of non-use, disconnect the unit's main power.
- Always mount this unit in safe and stable matter.
- Power-supply cords should be routed so that they are not likely to be walked on or pinched by items placed upon or against them, paying particular attention to the point where they exit from the unit.
- Cleaning - The fixture should be cleaned only as recommended by the manufacturer.
- Heat - The appliance should be situated away from heat sources such as radiators, heat registers, stoves, or other appliances (including amplifiers) that produce heat.
- The fixture should be serviced by qualified service personnel when:
  - A. The power-supply cord or the plug have been damaged.
  - B. Objects have fallen onto, or liquid has been spilled into, the fixture.
  - C. The fixture does not appear to operate normally or exhibits a marked change in performance.
  - D. The fixture has fallen and/or has been subjected to extreme handling.



# OVERVIEW



## INSTALLATION



**DO NOT INSTALL THE FIXTURE IF YOU ARE NOT QUALIFIED TO DO SO!**

Fixture **MUST** be installed following all local, national, and country commercial electrical and construction codes and regulations.

When installing the unit, the trussing or area of installation must be able to hold at least 10 times the weight of the unit and any attached accessories without any deformation. The unit must be secured with a secondary safety attachment, e.g. an appropriately-rated safety cable.

Before rigging/mounting a single fixture to any metal truss/structure or placing the fixture(s) on any surface, a professional equipment installer **MUST** be consulted to determine if the metal truss/structure or surface is properly certified to safely hold the combined weight of the fixture(s), clamps, cables, and accessories.

Maximum ambient operating temperature is **104°F (40°C)**.

Fixture(s) should be installed away from walking paths, seating areas, or areas where unauthorized personnel might reach the fixture by hand.

**NEVER** stand directly below the fixture(s) when rigging, removing, or servicing.

Overhead fixture installation must always be secured with a secondary safety attachment, such as an appropriately rated safety cable that can hold at least 10 times the weight of the fixture.

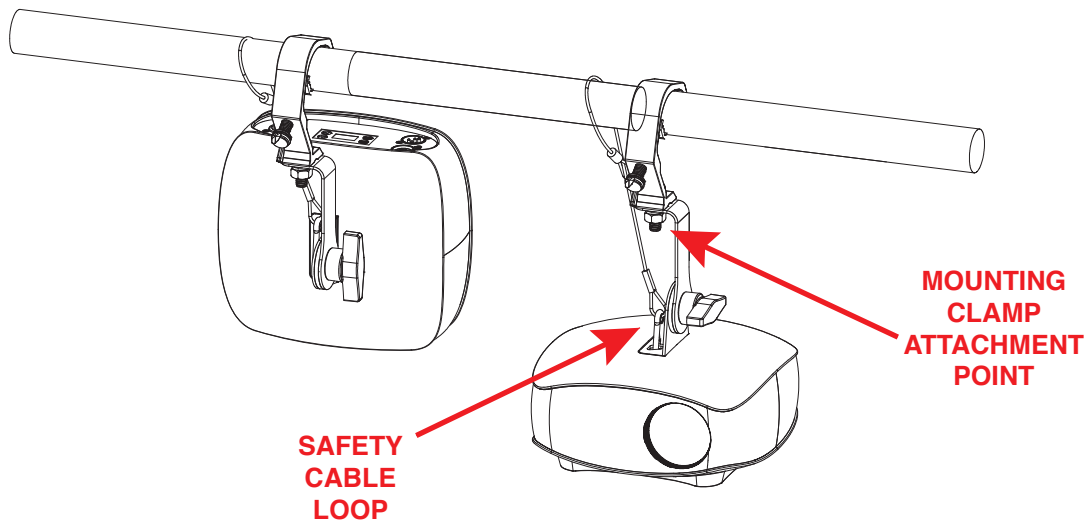
Overhead mounting requires extensive experience, including calculating working load limits, knowledge of installation material being used, and periodic safety inspection of all installation material as well as the unit itself. If you lack these qualifications, do not attempt the installation yourself.

The installation should be checked by a skilled person once a year.

## INSTALLATION

### CLAMP MOUNTING

This fixture features an adjustable mounting bracket with a built-in mounting clamp attachment point. Additionally, the unit also features a safety cable loop located at the base of the mounting bracket (see the illustration below). When mounting the fixture to a truss or any other suspended or overhead installation, be sure to secure an appropriately rated clamp (not included) to the mounting bracket, and attach a separate **SAFETY CABLE** of the appropriate weight rating to the provided safety cable loop.



### SAFETY CABLE:



**ALWAYS ATTACH A SAFETY CABLE WHENEVER INSTALLING THIS FIXTURE IN A SUSPENDED ENVIRONMENT TO ENSURE THAT THE FIXTURE WILL NOT FALL IF THE CLAMP FAILS.**

The adjustable mounting bracket allows the fixture's lens to be aimed vertically, horizontally, or any angle in between. After positioning your device as desired, **make sure to tighten the bracket adjustment knob to ensure that the unit is firmly secured in place.**

**NOTICE:** The maximum ambient operational temperature for this lighting fixture is **104° F (40° C)**. Do not place this lighting fixture in an environment where the temperatures exceed this value. This will allow the fixture to run at its best and help prolong the fixture life.

## REMOTE DEVICE MANAGEMENT (RDM)

**NOTE: In order for RDM to work properly, RDM enabled equipment must be used throughout the entire system, including DMX data splitters and wireless systems.**

Remote Device Management (RDM) is a protocol that sits on top of the DMX512 data standard for lighting, allowing the DMX systems of the fixtures to be modified and monitored remotely. This protocol is ideal for instances in which a unit is installed in a location that is not easily accessible.

With RDM, the DMX512 system becomes bi-directional, allowing a compatible RDM enabled controller to send out a signal to devices on the wire, as well as allowing the fixture to respond (known as a *GET* command). The controller can then use its *SET* command to modify settings that would typically have to be changed or viewed directly via the unit's display screen, including the DMX Address, DMX Channel Mode, and Temperature Sensors.

### FIXTURE RDM INFORMATION:

RDM Code	Device ID	Device Model ID	Personality ID
0x1900	Random	0x0943	0x0102 (6CH) 0x0202 (7CH)

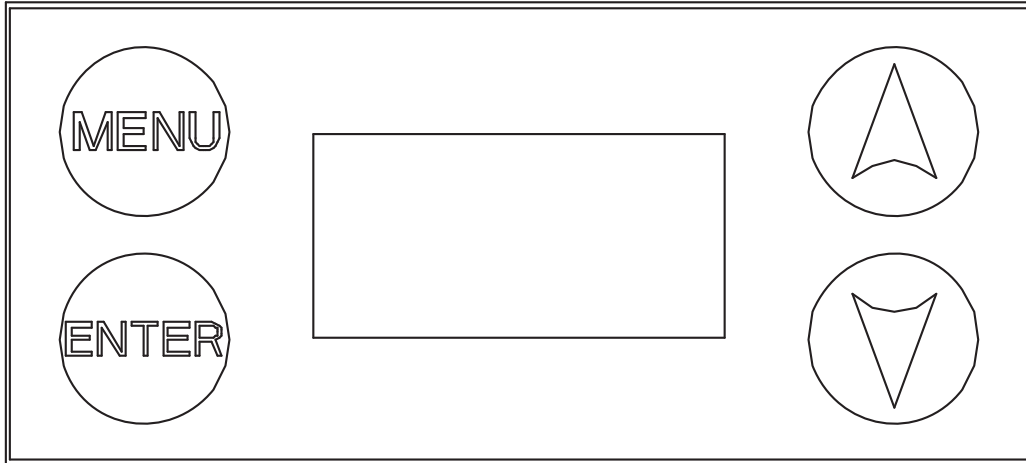
**Please be aware that not all RDM devices support all RDM features,** and therefore it is important to check beforehand to ensure that the equipment that you are considering includes all of the features that you require.

Disc Unique Branch	Status ID Description
Disc Mute	Clear Status ID
Disc Un-mute	Product Detail ID List
Device Info	Manufacturer Label
Supported Parameters	Device Label
Software Version Label	DMX Personality
DMX Start Address	DMX Personality Description
Identify Device	Device Hours
Device Model Description	Pan Invert
Comms Status	Tilt Invert
Queued Message	Reset Device
Status Messages	Photosensitive Hour

## CONTROL PANEL

The Cosmic Burst features a display screen with a 4-button control pad, which can be used to easily adjust any device settings.

Pressing the MENU button will cycle through the various Main Menu options. When the desired Main Menu option is displayed on the screen, press the ENTER button to select, then use the UP and DOWN buttons to scroll through sub-menu options. In some cases, there will be a second sub-menu that can be navigated in the same way. Press the ENTER button to confirm the selection, or press MENU to exit without making changes.



# SYSTEM MENU

<b>DMX SETTINGS</b>	DMX Address	<b>001 - 512</b>		Set DMX address
	DMX Ch. Mode	<b>Mode1 (6)</b>		6-ch DMX channel mode
		Mode2 (7)		7-ch DMX channel mode
	No DMX Status	<b>Hold</b>		Holds last received settings when signal is lost or interrupted
		Blackout		All DMX channels go to 0 when signal is lost or interrupted
Show		Unit defaults to pre-selected show mode when signal is lost or interrupted		
Manual		Unit defaults to manual mode when signal is lost or interrupted		
<b>PERSONALITY</b>	Prim/Sec Mode	Primary		
		<b>Secondary1</b>		
		Secondary2		
	Display	"ON" / "OFF" (Static display of current setting)	On / <b>Off</b>	
		Off Delay	5s - 20s	Default = <b>10s</b>
		Invert	<b>No</b> / Yes	
		Lock	Off, <b>30s</b> , 1min - 10min	
Motors Reset	<b>No</b> / Yes			
Service Passcode = 050	Factory Restore	Yes / <b>No</b>		
<b>MANUAL</b>	Reflector	000 - 255		
	Shutter	000 - 255		
	Dimmer	000 - 255		
	Dimmer Fine	000 - 255		
	Effect	000 - 255		
<b>SHOW</b>	Show 0	Speed	000 - 255	
	Show 1	Speed	000 - 255	
	Show 2	Speed	000 - 255	
	Show 3	Speed	000 - 255	
	Show 4	Speed	000 - 255	
<b>INFORMATION</b>	Hours	Pwr On Hr1	xxxxxx Hrs	Total lifetime hours that fixture has been powered on; not resettable
		Pwr On Hr2	xxxxxx Hrs	Hours fixture has been powered on since last reset
		Pwr On Rst	Passcode = 050	Reset Pwr On Hr2
CONTINUED ON NEXT PAGE				

## SYSTEM MENU

INFORMATION (continued)	Temperature	LED	Current	Current LED temperature	
			Max Temp <b>xxx F / xxx C</b>	Max recorded LED temperature	
		Temp Rst	Yes / <b>No</b> Passcode = 050	Reset LED temperature	
	Fan State				
	DMX Value	Reflector			Display current DMX value for the selected channel
		Strobe			
		Dimmer			
		Shutter			
		Show			
	Show Speed				
RDM UID					
Soft Vers	x.xx		Display current software version.		

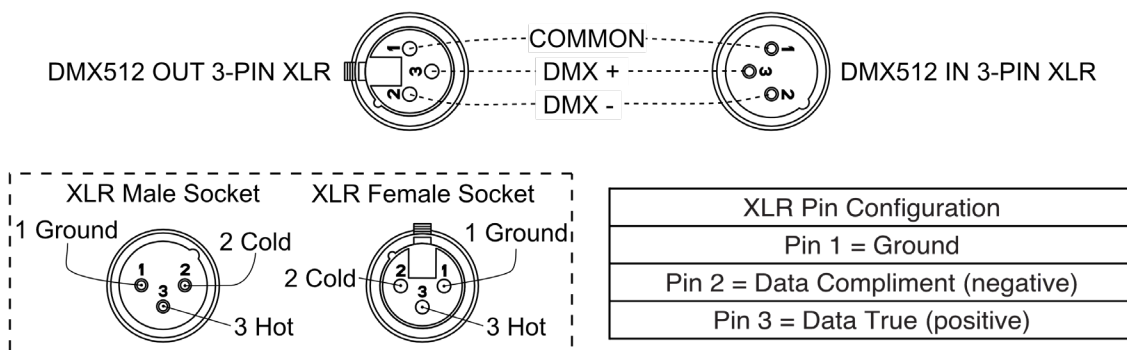
## DMX SET UP

**DMX-512:** DMX is short for Digital Multiplex. This is a universal protocol used as a form of communication between intelligent fixtures and controllers. A DMX controller sends DMX data instructions from the controller to the fixture. DMX data is sent as serial data that travels from fixture to fixture via the DATA “IN” and DATA “OUT” XLR terminals located on all DMX fixtures (most controllers only have a DATA “OUT” terminal).

**DMX Linking:** DMX is a language allowing all makes and models of different manufacturers to be linked together and operate from a single controller, as long as all fixtures and the controller are DMX compliant. To ensure proper DMX data transmission, try to use the shortest cable path possible when linking several DMX fixtures. The order in which fixtures are connected in a DMX line does not influence the DMX addressing. For example, a fixture assigned a DMX address of 1 may be placed anywhere in a DMX line: at the beginning, at the end, or anywhere in the middle. When a fixture is assigned a DMX address of 1, the DMX controller knows to send DATA assigned to address 1 to that unit, no matter where it is located in the DMX chain.

**Data Cable (DMX Cable) Requirements (For DMX Operation):** This unit can be controlled via DMX-512 protocol. The DMX address is set on the rear panel of the unit. Your unit and your DMX controller require a standard 3-pin XLR connector for data input and data output. We recommend Accu-Cable DMX cables. If you are making your own cables, be sure to use standard 110-120 Ohm shielded cable (This cable may be purchased at almost all pro lighting stores). Your cables should be made with a male XLR connector at one end and a female XLR connector at the other. Also remember that DMX cable must be daisy chained and cannot be split.

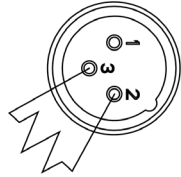
**Notice:** Be sure to follow the illustration below when making your own cables. Do not use the ground lug on the XLR connector. Do not connect the cable’s shield conductor to the ground lug or allow the shield conductor to come in contact with the XLR’s outer casing. Grounding the shield could cause a short circuit and erratic behavior.





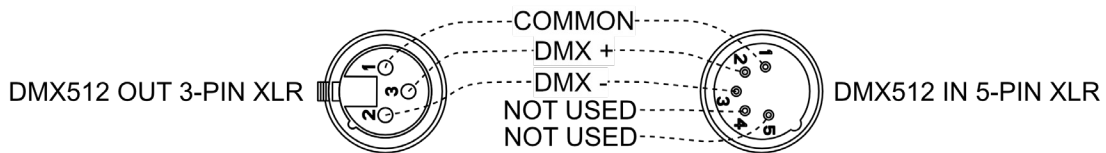
# DMX SET UP

**Special Note: Line Termination.** When longer runs of cable are used, you may need to use a terminator on the last unit to avoid erratic behavior. A terminator is a 110-120 ohm 1/4 watt resistor which is connected between pins 2 and 3 of a male XLR connector (DATA + and DATA -). This unit is inserted in the female XLR connector of the last unit in your daisy chain to terminate the line. Using a cable terminator (ADJ part number Z-DMX/T) will reduce the risk of erratic behavior.



A DMX512 terminator reduces signal errors, avoiding most signal reflection interference. Connect PIN 2 (DMX-) and PIN 3 (DMX+) of the last fixture in series with a 120 Ohm, 1/4 W Resistor to terminate the DMX512.

**5-Pin XLR DMX Connectors.** Some manufacturers use 5-pin DMX-512 data cables for DATA transmission in place of 3-pin. 5-pin DMX fixtures may be implemented in a 3-pin DMX line by using a cable adapter. These adaptors are readily available at most electronics stores. The chart below details a proper cable conversion.



3-Pin XLR to 5-Pin XLR Conversion		
Ground/Shield	Pin 1	Pin 1
Data Compliment (- signal)	Pin 2	Pin 2
Data True (+ signal)	Pin 3	Pin 3
Not Used		Do Not Use
Not Used		Do Not Use

## DMX SET UP

### DMX ADDRESSING.

All fixtures should be given a DMX starting address when using a DMX controller, so the correct fixture responds to the correct control signal. This digital starting address is the channel number from which the fixture starts to “listen” to the digital control signal sent out from the DMX controller. The assignment of this starting DMX address is achieved by setting the correct DMX address on the digital control display on the fixture.

You can set the same starting address for all fixtures or a group of fixtures, or set different addresses for each individual fixture. Setting all fixtures to the same DMX address will cause all fixtures to react in the same way. In other words, changing the settings of one channel will affect all the fixtures simultaneously.

If you set each fixture to a different DMX address, each unit will start to “listen” to the channel number you have set, based on the quantity of DMX channels of each fixture. That means changing the settings of one channel will only affect the selected fixture.

For example, when operating this unit in 6-channel mode, you should set the starting DMX address of the first unit to 1, the second unit to 7 (1 + 6), the third unit to 13 (1 + 6 + 6), and so on. See the chart below for more details.

CHANNEL MODE	UNIT 1 ADDRESS	UNIT 2 ADDRESS	UNIT 3 ADDRESS	UNIT 4 ADDRESS
6 Ch	1	7	13	19
7 Ch	1	8	15	22

## DMX TRAITS

CHANNEL		DMX VALUES	FUNCTION
1	1		<b><i>Reflector Rotation</i></b>
		000 - 007	Standby
		008 - 125	Clockwise Rotation, fast to slow
		126 - 129	Stop
		130 - 247	Counter-Clockwise Rotation, slow to fast
		248 - 255	Stop
2	2		<b><i>Shutter, Strobe</i></b>
		000 - 031	Off
		032 - 063	On
		064 - 095	Strobe Effect, slow to fast
		096 - 127	On
		128 - 159	Pulse Effect in Sequences
		160 - 191	On
		192 - 223	Random Strobe Effect, slow to fast
224 - 255	On		
3	3	000 - 255	<b><i>Dimmer Intensity, 0% to 100%</i></b>
	4	000 - 255	<b><i>Dimmer Fine</i></b>
4	5		<b><i>Effect</i></b>
		000 - 008	Stop
		009 - 015	Open
		016 - 255	Shutter, slow to fast
5	6		<b><i>Show</i></b>
		000 - 045	Null
		046 - 087	Show 1
		088 - 129	Show 2
		130 - 171	Show 3
		172 - 213	Show 4
214 - 255	Show 0 (Random Show 1-4)		
6	7	000 - 255	<b><i>Speed, slow to fast</i></b>

## PRIMARY-SECONDARY SET UP

This function allows you to link units together to run in a Primary-Secondary set-up, in which one unit will act as the controlling unit and the others will react to the controlling unit's built-in programs. Any unit can be configured to act as a Primary or as a Secondary, but only one unit in a given system can be programmed to act as the Primary.

### ***Primary-Secondary Connections and Settings:***

1. Daisy chain your units via the XLR connectors on the rear panels of each unit. Use standard XLR data cables to link your units together. Remember that the male XLR connector is the input and the female XLR connector is the output. The first unit in the chain (primary) will use the female XLR connector only. The last unit in the chain will use the male XLR connector only.
2. Use the display screen and control panel to navigate to the "Primary / Secondary" setting in the main menu. Select this setting using the ENTER button, and use the arrows to toggle between "Primary", "Secondary1", and "Secondary2". Press ENTER to confirm your selection.
3. Repeat Step 2 for each unit in the system. Make sure that only one unit is designated as the Primary, while all other units are designated as Secondaries.
4. The secondary units will act in conjunction with the primary unit. Note that secondary units set to the "Secondary1" setting will follow the motions of the primary, while those set to the "Secondary2" setting will move in contrast to the primary.

## MAINTENANCE GUIDELINES



**DISCONNECT POWER BEFORE PERFORMING ANY MAINTENANCE!**

### CLEANING

Frequent cleaning is recommended to ensure proper function, optimized light output, and an extended life. The frequency of cleaning depends on the environment in which the fixture operates: damp, smoky, or particularly dirty environments can cause greater accumulation of dirt on the fixture's optics. Clean the external lens surface regularly with a soft cloth to avoid dirt/debris accumulation.

**NEVER** use alcohol, solvents, or ammonia-based cleaners.

### MAINTENANCE

Regular inspections are recommended to ensure proper function and extended life. There are no user serviceable parts inside this fixture. Please refer all other service issues to an authorized ADJ service technician. Should you need any spare parts, please order genuine parts from your local ADJ dealer.

Please refer to the following points during routine inspections:

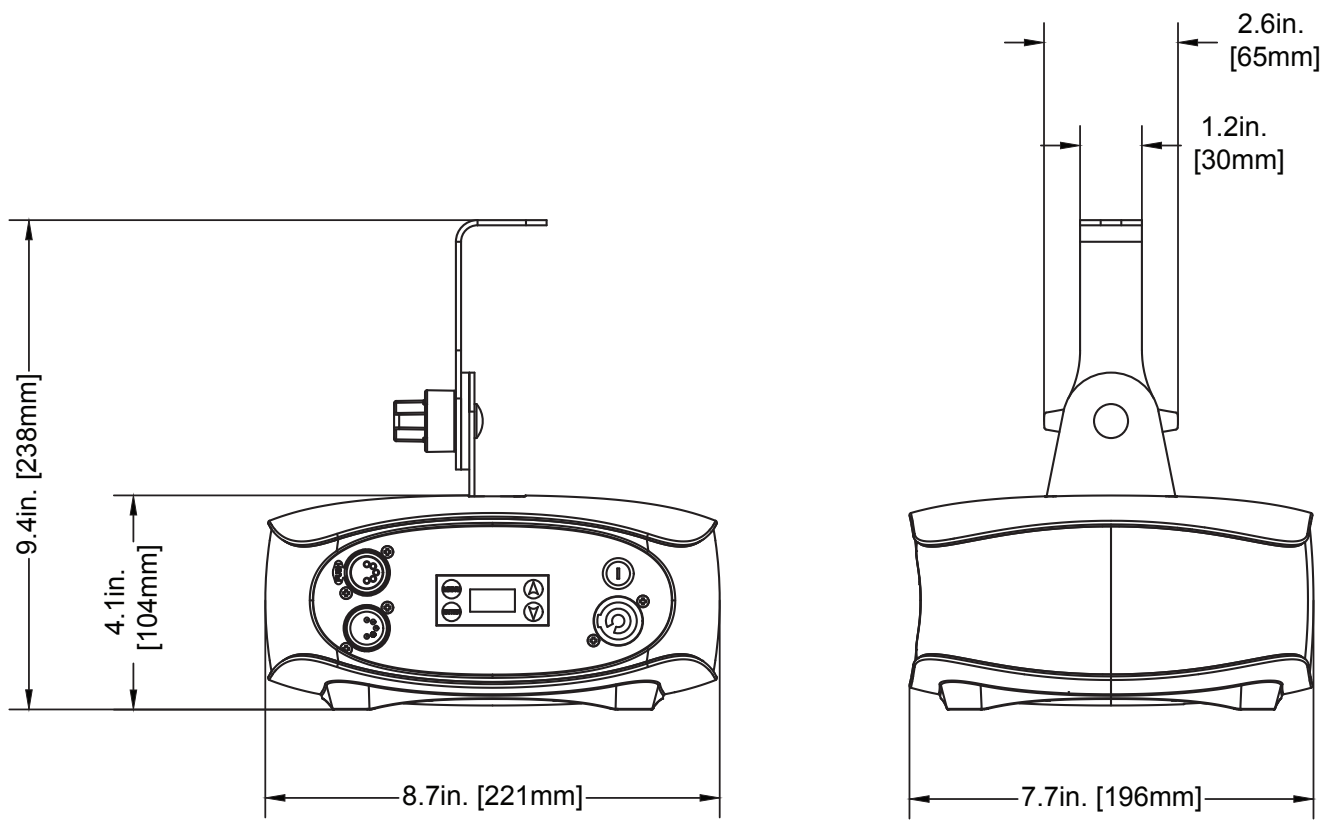
- A. A detailed electrical check by an approved electrical engineer every three months, to make sure the circuit contacts are in good condition and prevent overheating.
- B. Be sure all screws and fasteners are securely tightened at all times. Loose screws may fall out during normal operation, resulting in damage or injury as larger parts could fall.
- C. Check for any deformations on the housing, color lenses, rigging hardware, and rigging points (ceiling, suspension, trussing). Deformations in the housing could allow for dust to enter into the fixture. Damaged rigging points or unsecured rigging could cause the fixture to fall and seriously injure a person(s).
- D. Electric power supply cables must not show any damage, material fatigue, or sediments.

**NEVER** remove the ground prong from the power cable.

### SOFTWARE UPDATES

Please contact ADJ service for assistance with updating your device's software.

## DIMENSIONAL DRAWINGS



**Drawings not shown to scale.**

## SPECIFICATIONS

<b>Model:</b>	<b><i>Cosmic Burst</i></b>
<b>Light Source:</b>	1 x 10W laser module
<b>Color Temperature:</b>	6000K - 8000K
<b>Beam Angle:</b>	87°
<b>Lamp Life:</b>	10,000 hours
<b>Display:</b>	OLED
<b>DMX Control Mode:</b>	6/7 channels
<b>Protocols:</b>	DMX512 and RDM
<b>Firmware Upgrade:</b>	Via DMX link
<b>Data In/Out:</b>	3-pin XLR
<b>Power In/Out:</b>	Indoor locking power connector
<b>IP Rating:</b>	IP20
<b>Power Consumption:</b>	20W
<b>Lens Diameter:</b>	60mm
<b>Effects:</b>	Smooth dimming from 0~100% Adjustable, unique strobe effect
<b>Dimensions:</b>	8.7" x 7.7" x 9.4" (221 x 196 x 238mm)
<b>Weight:</b>	4.4lbs (2 kg)
<b>Laser Accession No.:</b>	2210851-000

*Please Note: Specifications and improvements in the design of this unit and this manual are subject to change without any prior written notice.*

