



POLARIS

Assemble Your Task Force



Absen Optoelectronic Co.,Ltd

18-20F Building 3A, Cloud Park, Bantian Huawei Base,
Longgang District Shenzhen, 518129, P.R.China
T: +86-755-89747399 E: absen@absen.com
F: +86-755-89747599 W: www.absen.com

Absen Inc.

7120 Lake Ellenor Drive, Orlando,
Florida 32809, USA
T: +1-407-203-8870 E: info@usabsen.com
F: +1-407-203-8873 W: www.usabsen.com

Absen GmbH

Eisenstraße 5, 65428 Rüsselsheim a.M.,
Germany
T: +49 (0) 6142 78935-0 E: europe@absen.com
F: +49 (0) 6142 78935-29 W: www.absen-europe.com

3840hz

Auto-lock

Memory module

16Bit

**Creative
modules**

Common Cathode

HDR10

HBB

1500nit

Auto-eject system

front and rear
maintenance



1

For the Best Image Quality

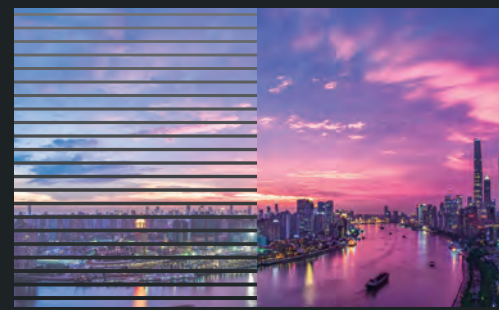


Enhanced color / High Refresh & Brightness



- Support the latest HDR10 standard & 16bit grayscale, enabling PL2.5 Pro and PL1.9 Pro to deliver a higher dynamic range with pure whites, deeper blacks and a wider color gamut.
- PL2.5 Pro's brightness can reach up to 1500nit after calibration, able to maintain excellent display performance in brighter environment

HDR10 16Bit 1500nit



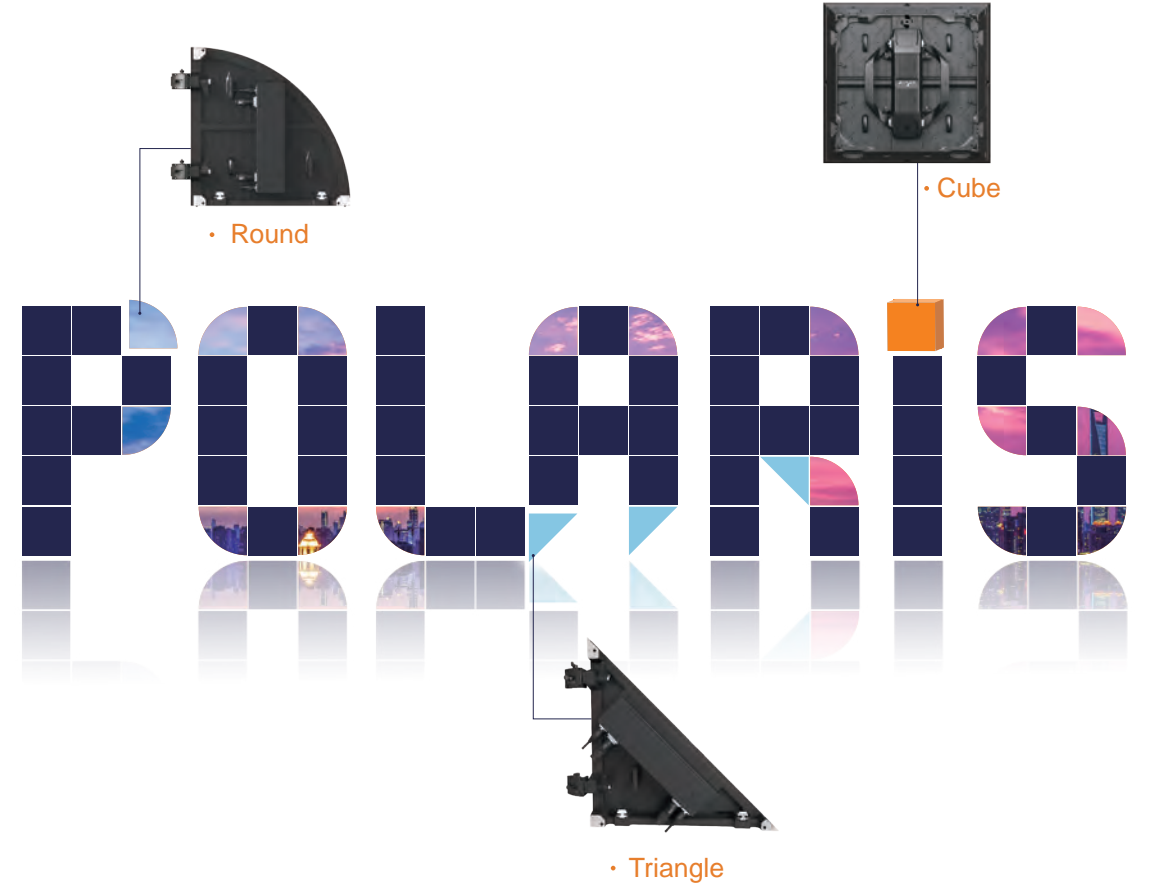
3840hz

- Polaris series supports 3840hz refresh rate, promising outstanding on-camera visual effect, which significantly improves customers' satisfaction and encourages them to share about live events.

2

Extremely creative

With newly-created triangular and circular modules, PL2.5 Pro offers a variety of creative splicing solutions, providing customers with more options for their stage designs



3

Take It Black and Do It Right

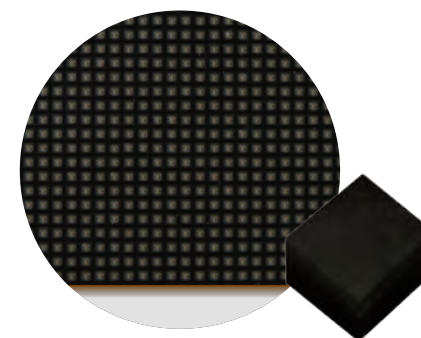
The optimal way to configure high performance rental displays – perfectly balanced for extreme contrast and high pixel protection



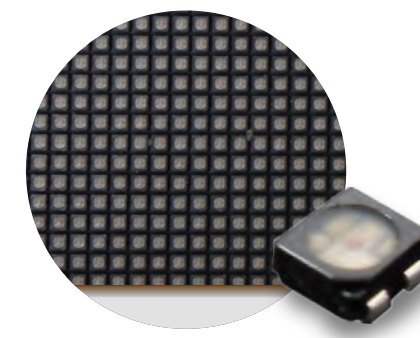
UltraBlack Technology

Small sized non-reflection LEDs, combined with matte and super black mask, the PL2.5 Pro has a superior contrast compared to other LED products.

Manufactured by top tier encapsulation companies, the LEDs are providing state of the art performance in terms of uniformity, non-reflection, in both regular and wide viewing angles. The stringently controlled gluing process ensures high level of uniformity on LED surface as well as super wide viewing angle. The high quality epoxy used is the key to deliver a matte surface, which will dramatically reduce reflection even under direct light. The highest standard of aging test has proven a reliable quality and high uniformity over long time of use, with a failure rate of 30PPM only after the extreme test.

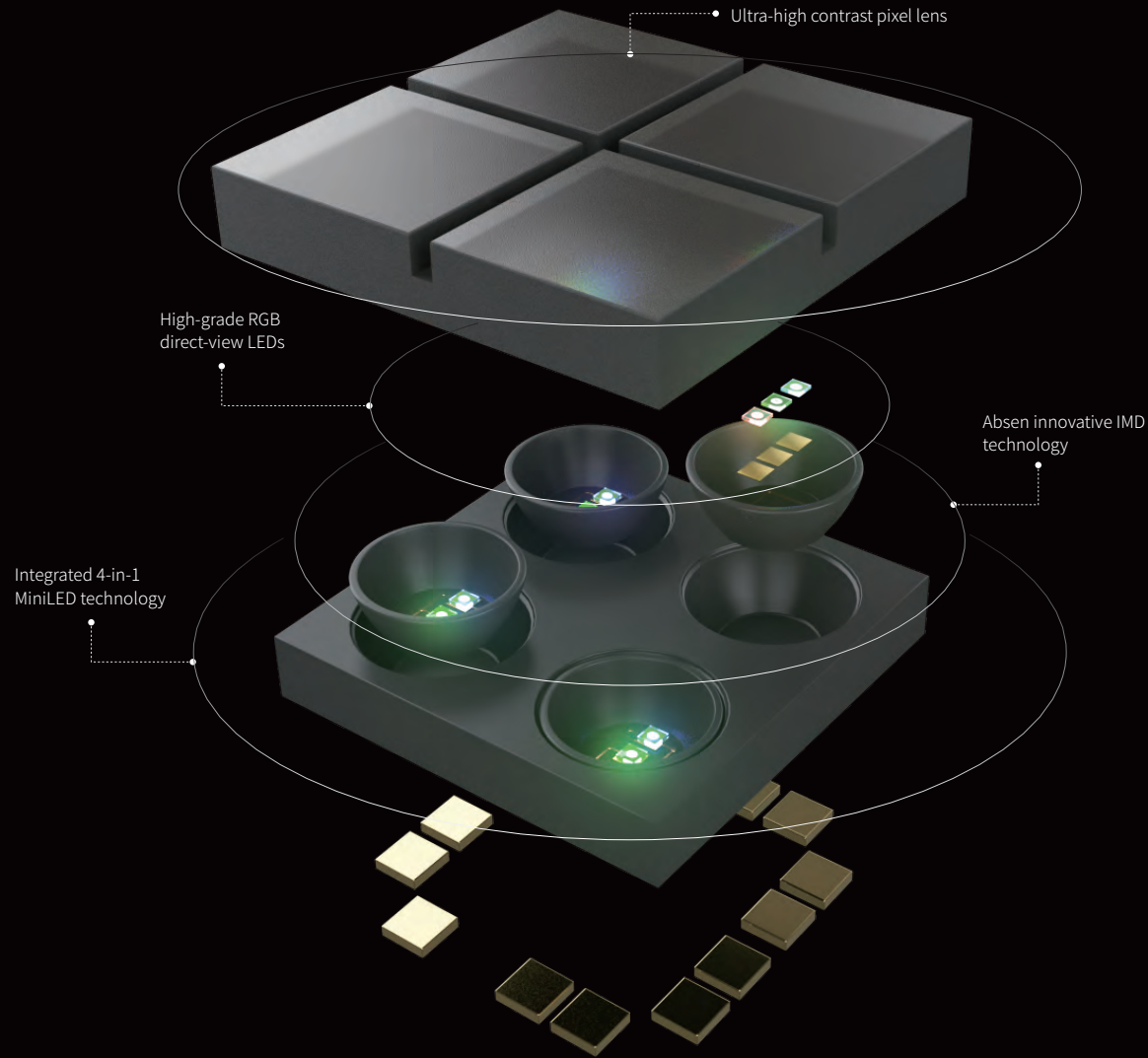


PL 2.5 Pro SMD 1515
8800 : 1



P2.6 SMD 2121

Absen Innovative IMD Technology



PL1.9 Pro



45%
more pixels

Superior definition

45% higher pixel density compared to other 2.3mm rental products to deliver laser-sharp, lifelike images.



30%
Contrast boost

Stunning visual performance

Absen Innovative IMD enables stunning pure colour reproduction along with deep blacks and peak whites.



x3.3
stronger

Maximum strength

Absen Innovative 4-in-1 pixel configuration provides over triple the strength of traditional LED rental screens with the same pixel pitch.

4

Beautiful On The Outside. Beautiful On The Inside

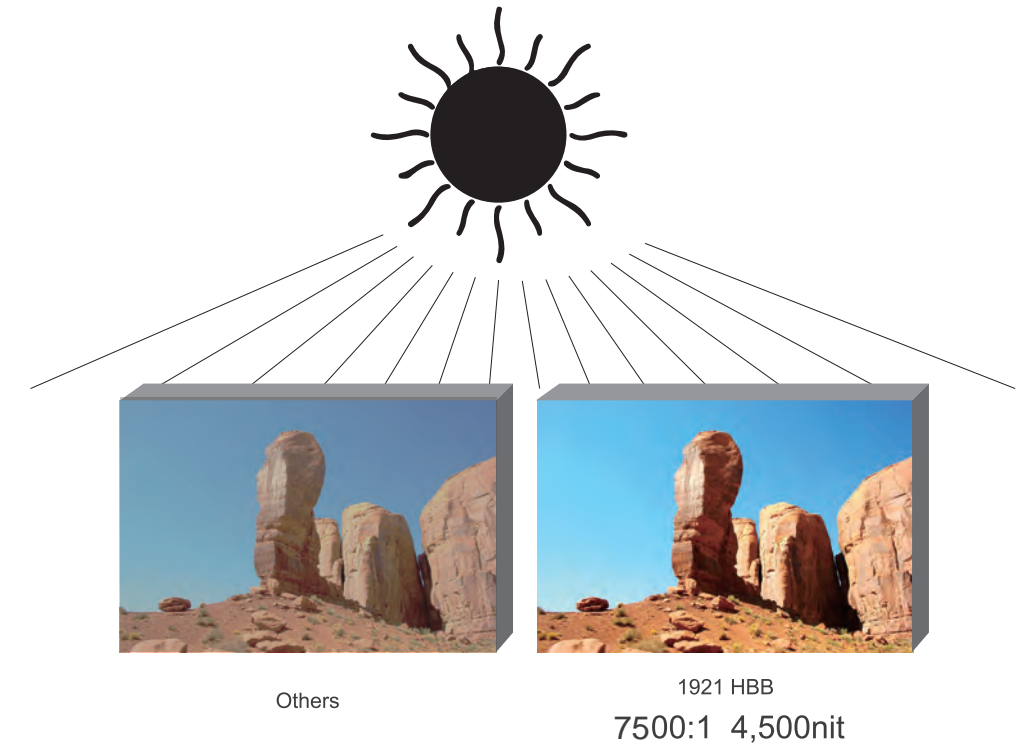
Absen High Brightness Black (HBB) technology – finally, a high resolution indoor and outdoor rental display that doesn't compromise on brightness, contrast or stability



High Contrast & Brightness

Outdoor 1921 HBB with brightness up to 4,500nit and contrast ratio of 7500:1.

Ultra high contrast and distinct color hierarchy ensure excellent visual effect outdoors



4,500nit HBB for outdoor use under sunlight.

LED common cathode technology improves brightness with better heat dissipation.

Color Uniformity

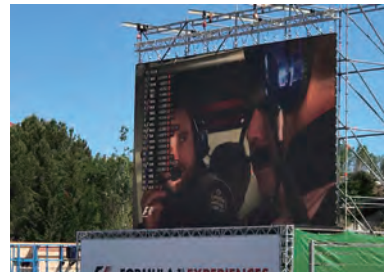
Precise dual power output of 2.8V and 3.8V mitigates the heat dissipation problems in LED operation with voltage drop and increases the luminous efficiency of red light.

Die-casting AL cabinet with heat plate designed for IC driver layout guarantee extraordinary heat dissipation, color consistency and uniformity.



High Resolution

HD outdoor 3.9mm HBB fits for indoor and outdoor applications.



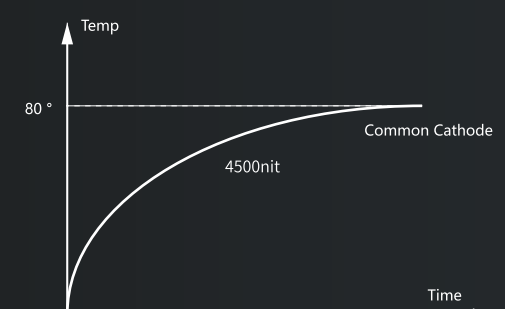
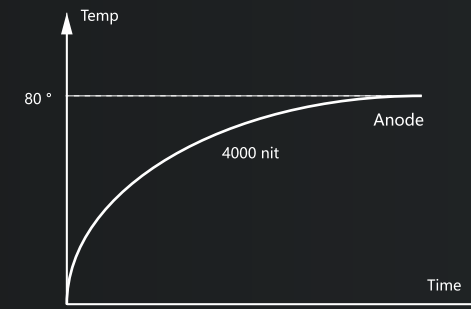
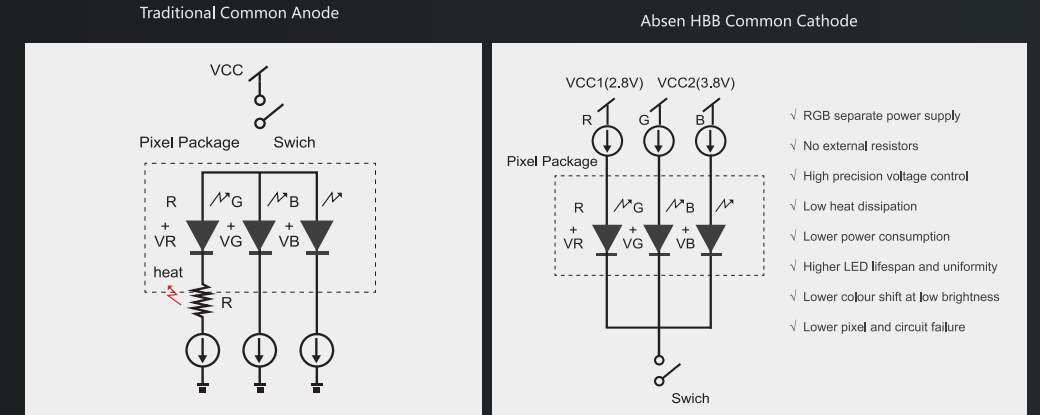
Outdoor



Indoor

SSS 20% - Lower Heat, 20% + Higher Brightness

Standing for High Brightness Black, Absen HBB utilises Absen Common Cathode technology, a powerful solution for driving high resolution black LED at ultra high brightness



Operating Temperature: 50°C 24H White display

BETTER VISUAL PERFORMANCE

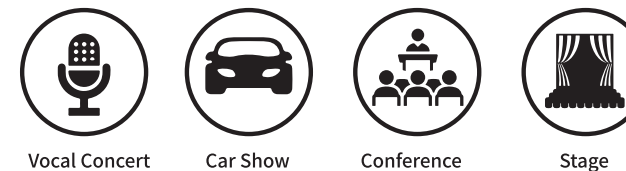


Viable indoor & outdoor solution

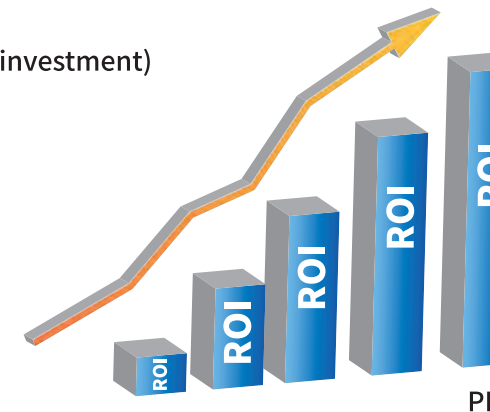
— Higher Utilisation



— Support More Applications



— Better ROI(return on investment)



5

Lighten Up and Go Large

Super lightweight and twice the size, perfect for the operational demands of extra large outdoor display applications



Lightweight



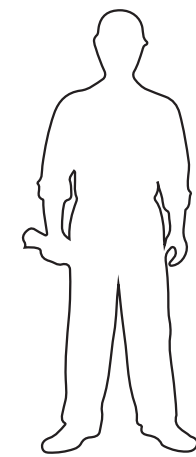
① Panel weight only
13Kg

② More than
10% LIGHTER
than regular products

Quick

① One man installation

② Quickly service power box



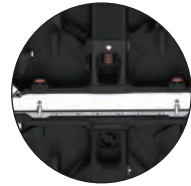
Advanced

Auto-Lock and Auto-Eject systems

- Auto-locking Vertical Lock System With Magnetic Auto-connection For Fast And Easy 1 Man Installation With Ultimate Safty And Pixel Procection
- Auto-ejection Side Lock System Enables Super Fast, Easy And Convenient Disconnection Of Panels

1 >>

Panels will be attached together by magnets automatically.



2 >>

Hold the bottom of the Panels upward.



3 >>

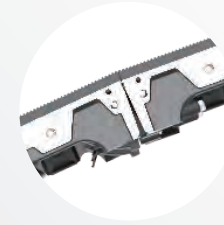
Pull the knob of top lock system to lock the Panels.



Advanced inner and outer curve lock systems

— Innovative integrated repositionable curve connection block system maintains the highest level of alignment accuracy, in both flat or curve configuration.

Curve connection blocks are available to support any increment of curve from -7.5 convex to +10 concave giving users unlimited design flexibility and control

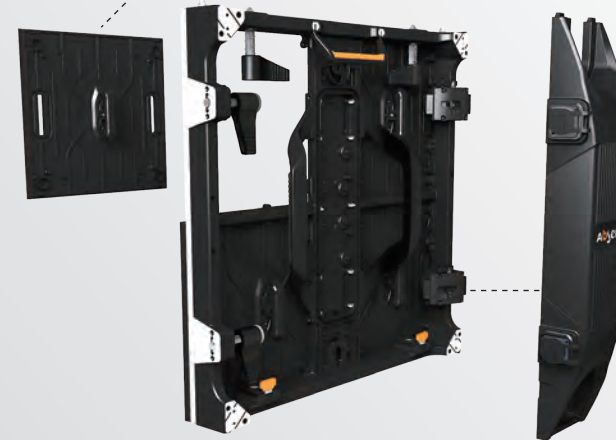


Fast rear service

Rear serviceable with universal modules

Quickly replace power and data core without tools

Full front & rear maintenance available



Additional benefits

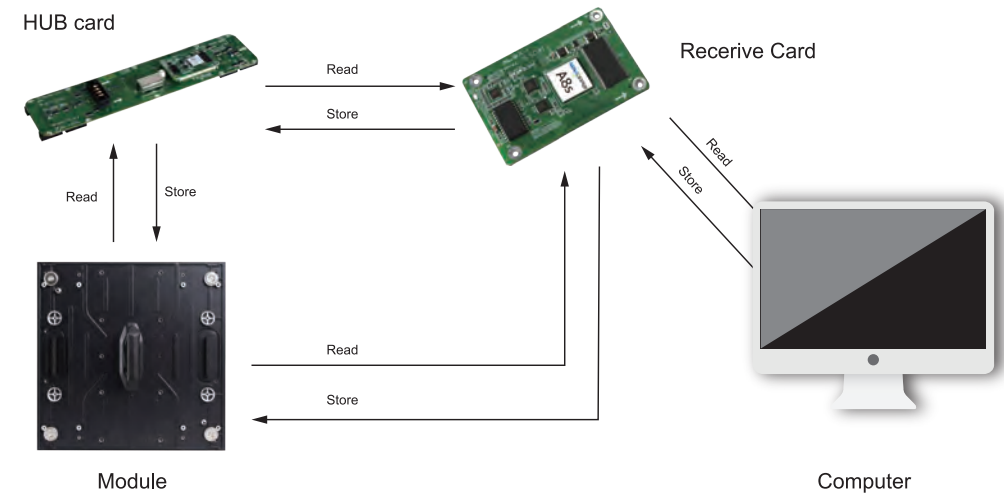
Momento Cliente

Momento Cliente

1

Memory on Module/Hub

Calibration data stored in both module /Hub and receiving card, no need re-calibration after replacement



2

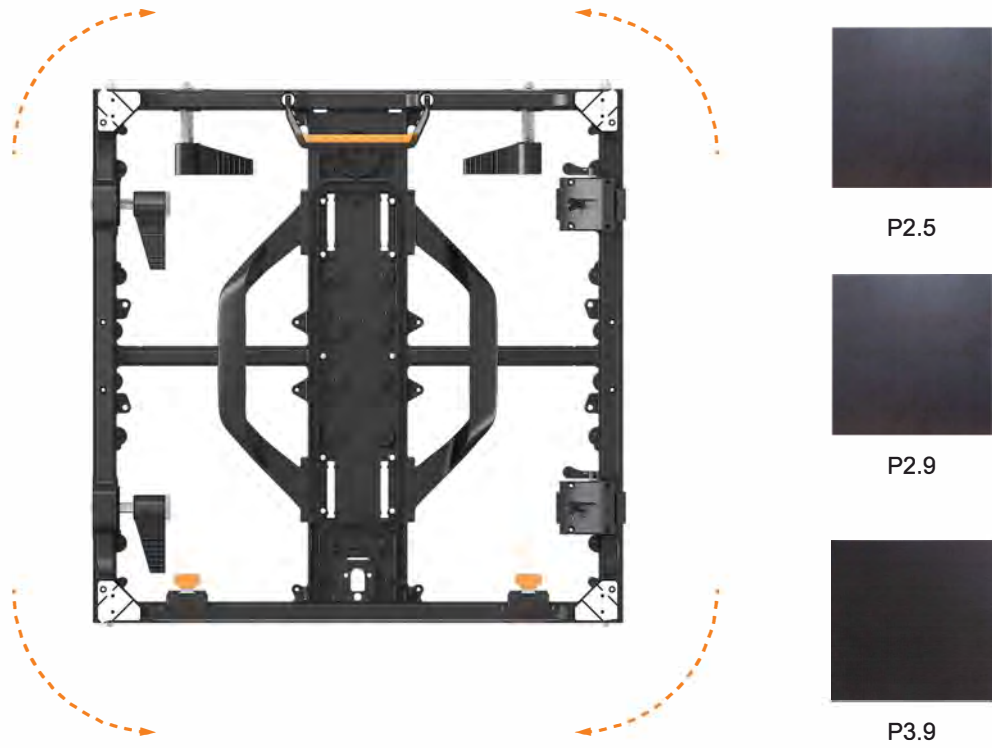
Processing

Premium image quality, 4K processing

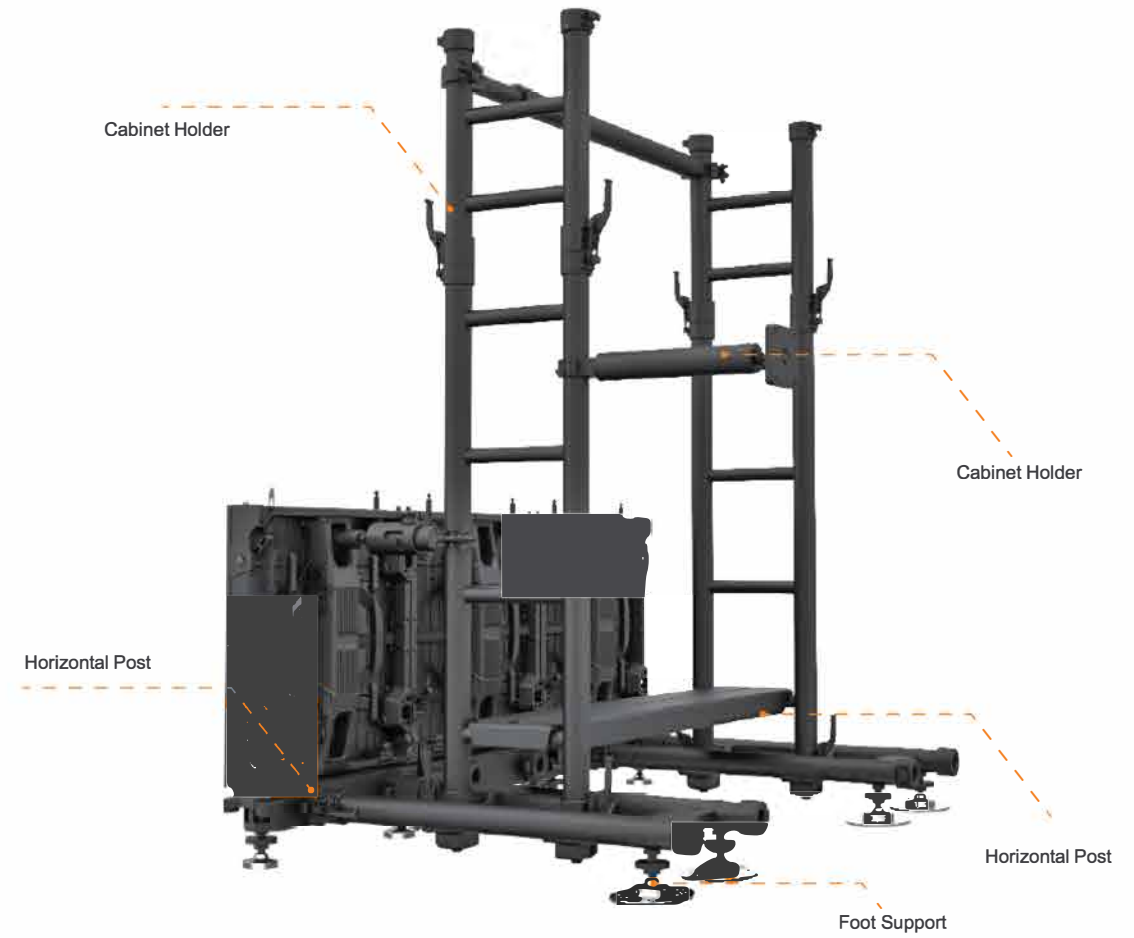


3 **Advanced calibration and uniformity**

Refresh rate up to 3840Hz, delivers extraordinary image quality even at 1/3000 high-speed camera, with no flickering, perfectly meet the high demand of switching pictures smoothly at broadcasting.



4 **Advanced stacking system**



5 About Absen

Absen is the world's leading manufacturer of LED displays, covering both indoor and outdoor applications for rental and fixed installations. Established in 2001 and headquartered in Shenzhen, China, Absen has successfully delivered 35,000 projects in over 120 countries.

Through constant innovation and development, Absen has been the top Chinese exporter of LED displays, making it the brand of choice for many of the most prominent rental staging companies worldwide.

From live concerts and festivals to corporate conferences and events, we offer a comprehensive and award-winning LED product portfolio to help you create stunning visual experiences.



Parameters	PL1.9 Pro V10	PL2.5 Pro V10	PL2.9 V10	PL2.9 XL V10	PL3.9 V10	PL3.9 XL V10	PL3.9 Pro V10	PL3.9 Pro X L V10	PL4.8 Pro V10	PL4.8 Pro XL V10	Unit
Pixel Pitch	1.9	2.5	2.9	2.9	3.9	3.9	3.9	3.9	4.8	4.8	Millimeter
Brightness	1200	1500	1000				4500				nit
Panel Dimensions	500*500*88	500*500*88	500*500*88	500*1000*88	500*500*88	500*1000*88	500*500*88	500*1000*88	500*500*88	500*1000*88	Millimeter
Panel Material	Die casting Aluminum										—
Panel Weight	9	8.6	8	12.6	7.7	12.6	8.4	13.7	8.1	13.7	Kg / Panel
LED Type	IMD	SMD 1515	SMD2121				Common Cathode SMD1921				—
Module Size	250*250										Millimeter
Panel Resolution	256*256	200*200	168*168	168*336	128*128	128*256	128*128	128*256	104*104	104*208	Pixels
Pixel Density	262144	160000	112896	112896	65536	65536	65536	65536	43264	43264	Pixels / sqm
Refresh Rate	3840										Hertz
Grayscale	16	16	14								Grade
Viewing Angle(H/V)	140/140	160/140	140/140	140/140	140/140	140/140	140/100	140/100	140/80	140/80	Degree
Ingress Protection	IP40/IP21						IP65/IP54				—
Power(max/ ave.)	774/258	770/260	540/180	540/180	540/180	540/180	680/230	680/230	720/240	720/240	Watts / sqm
Drive mode	1/32	1/20	1/28	1/28	1/16	1/16	1/8	1/8	1/7	1/7	—
Maximum Hanging	20	20	20	10	20	10	20	10	20	10	Panels
Certification	FCC+ETL+CE+RoHS										—

★ Shenzhen Absen Optoelectronic Co., Ltd. reserves the right to modify product design, specifications, and parameters without further notice.
Photos are used for illustration purpose only as products may differ from these photos. All rights reserved by Shenzhen Absen Optoelectronic Co., Ltd.