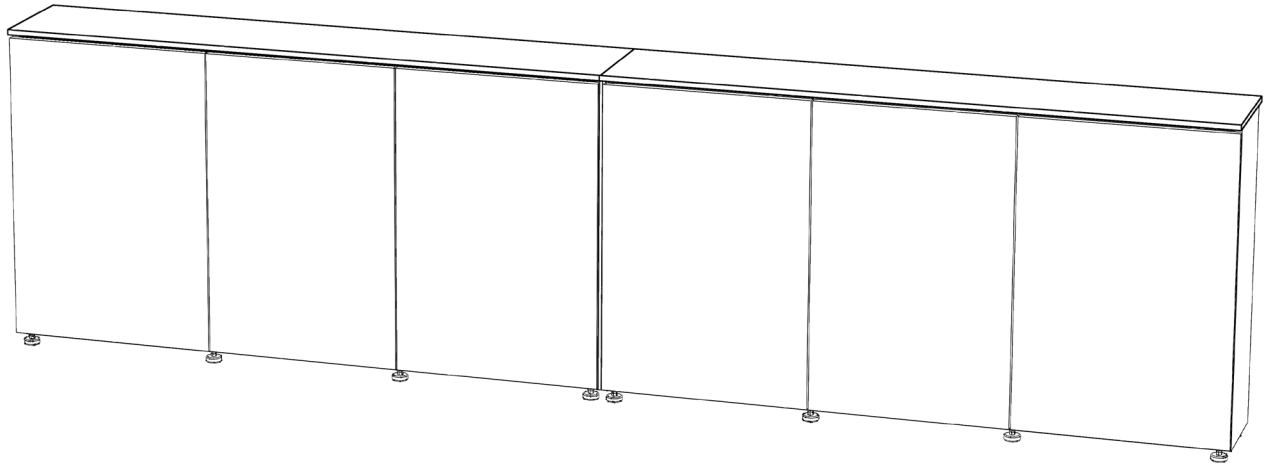




## D1/367A ASSEMBLY INSTRUCTIONS

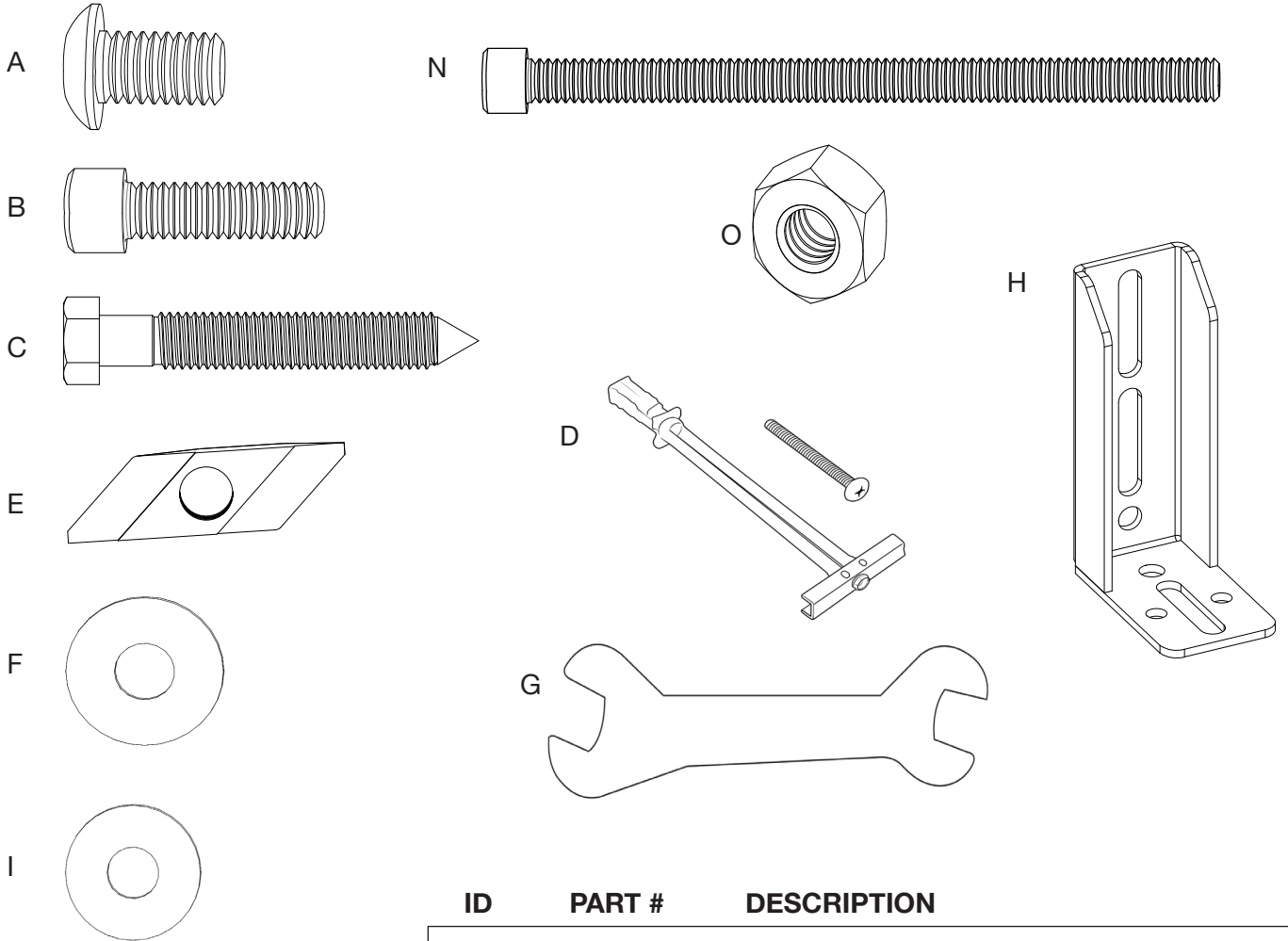
### 6 BAY LOW PROFILE WALL MOUNT CABINET



#### **TIP HAZARD WARNING!**

**Cabinet must be affixed to wall.** For use to prevent tipping in compliance with capacity of cabinet specified. Use with heavier equipment may result in instability or detachment causing tip over resulting in death or serious injury.

# HARDWARE



ID	PART #	DESCRIPTION
A	300-485	1/4-20 x 1/2" Button Head Socket Screw
B	300-465	1/4-20 x 3/4" Head Socket Screw
C	301-730	5/16 x 2.5" Lag Bolt
D	301-745	Hollow Wall Anchors
E	300-565	Drop In Nut
F	300-470	5/16" Flat Washer
G	400-035	Leveler Wrench
H	303-855	Universal Wall Bracket
I	300-468	1/4" Flat Washer
J	300-518	1/4-20 x 3/8" Button Head Socket Screw
K	302-310	10-32 x 5/8" Button Head Socket Screw
L	300-835	Universal Shelf Peg
M	301-055	3/8 x 2" Alligator Wall Anchors
N	303-453	1/4-20" x 4" Head Socket Screw
O	300-532	1/4-20 Lock Nut

## TOOLS INCLUDED

PART #	DESCRIPTION
P-400-030	Driver Bit 1/4" Hex Key
400-030	1/4" Hex Key
400-070	1/8" Hex Key
400-080	5/32" Hex Key
400-058	3/16" Hex Key- Short Arm

## TOOLS NEEDED

Drill Driver  
#2 Phillips Head Screw Driver  
1/2 Drill Bit for Standard Installation  
3/16" Drill Bit for Wood Stud Installation  
3/8" Drill Bit for Masonry Installation  
Pencil  
Tape Measure  
Level

## WARNINGS

### IMPORTANT SAFETY INSTRUCTIONS

#### READ ALL INSTRUCTIONS BEFORE USING THIS FURNISHING



**WARNING!** Failure to comply with these instructions may result in accident involving serious personal injury. Failing to follow these instructions can result in the product being damaged or being destroyed or voiding of the warranty.



#### CAUTION!

- Close supervision is necessary when this furnishing is used by or near children, invalids, or disabled persons
- Use this furnishing only for its intended use as described in these instructions. Do not use attachments not recommended by the manufacturer.
- Do not use outdoors
- For Commercial Use Only

\*\*\*\*\* **SAVE THESE INSTRUCTIONS** \*\*\*\*\*

#### Accessories and Spare Parts

Please contact Salamander Designs 860.761.9500 or [www.salamanderdesigns.com/commercial](http://www.salamanderdesigns.com/commercial)

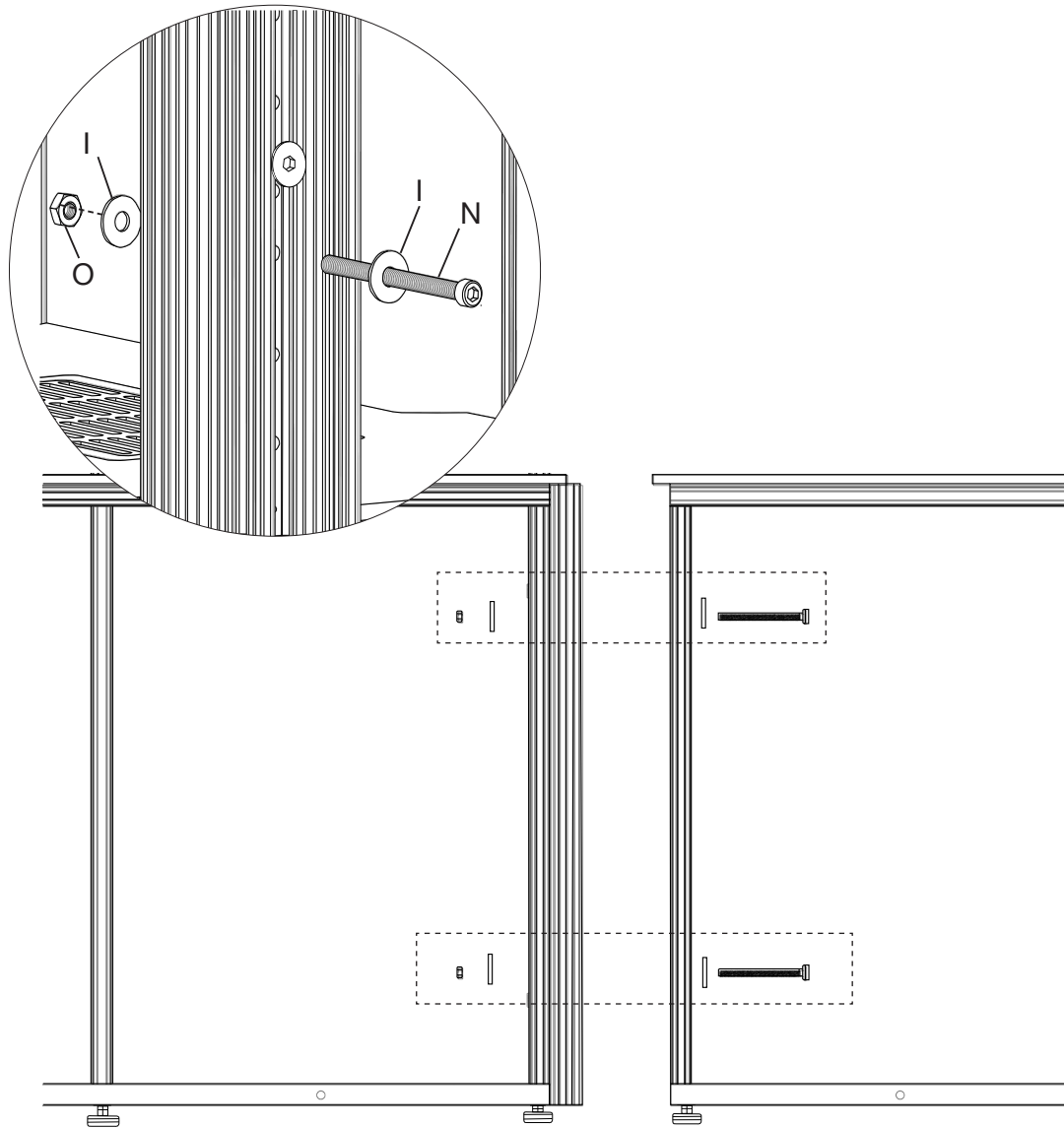


**WARNING!** This step requires two people.

# 1. UNIFY CABINETS

Align the top and bottom thru holes located on the front and back vertical cabinet extrusions.

Bolt together as shown with screw (N), washers (I) and lock nut (O).

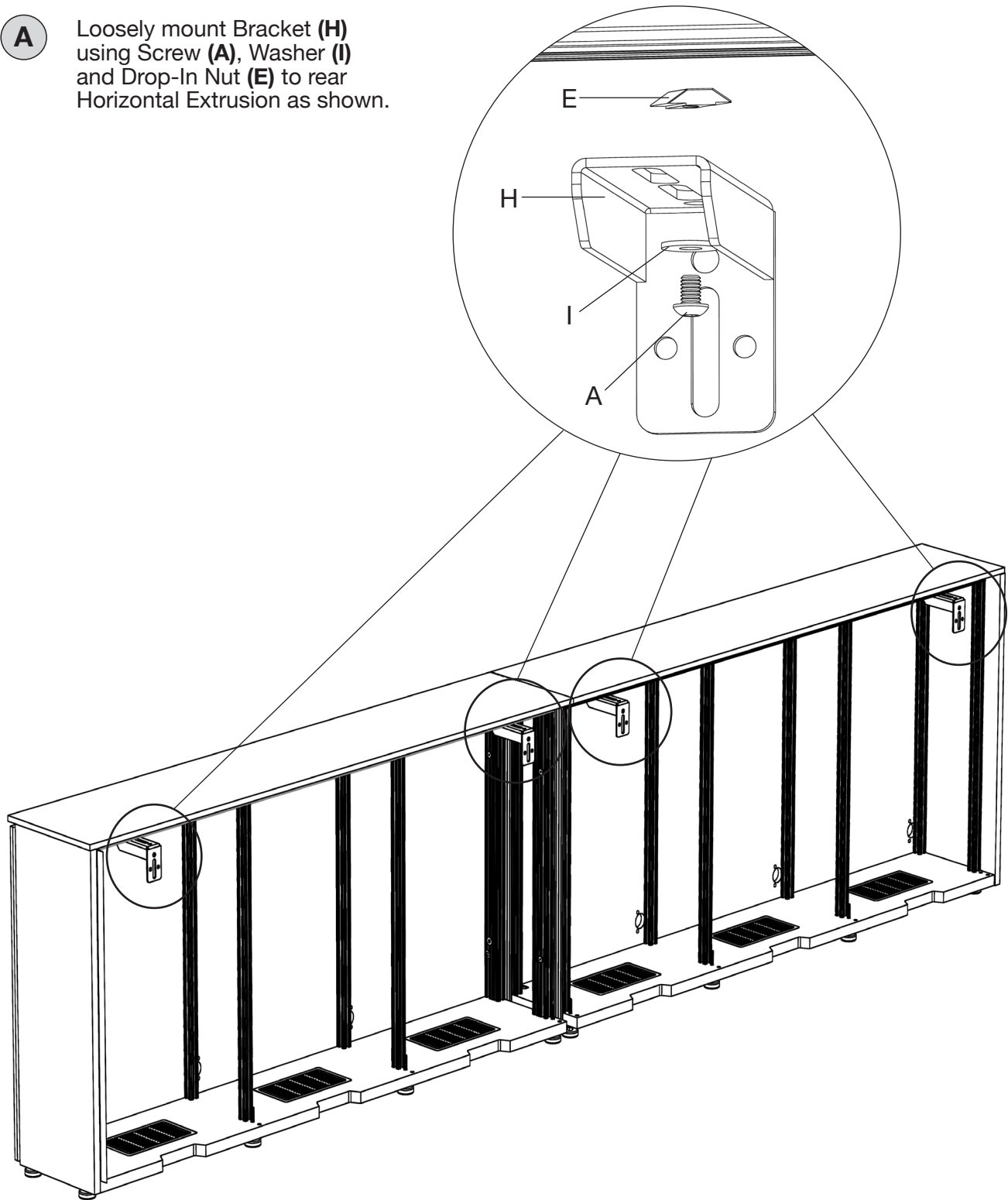


## 2. INSTALL MOUNTING BRACKETS



**TIP HAZARD WARNING!** Cabinet **MUST** be affixed to wall.

- A** Loosely mount Bracket (**H**) using Screw (**A**), Washer (**I**) and Drop-In Nut (**E**) to rear Horizontal Extrusion as shown.



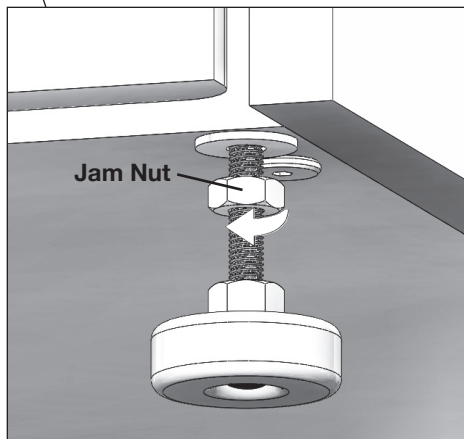
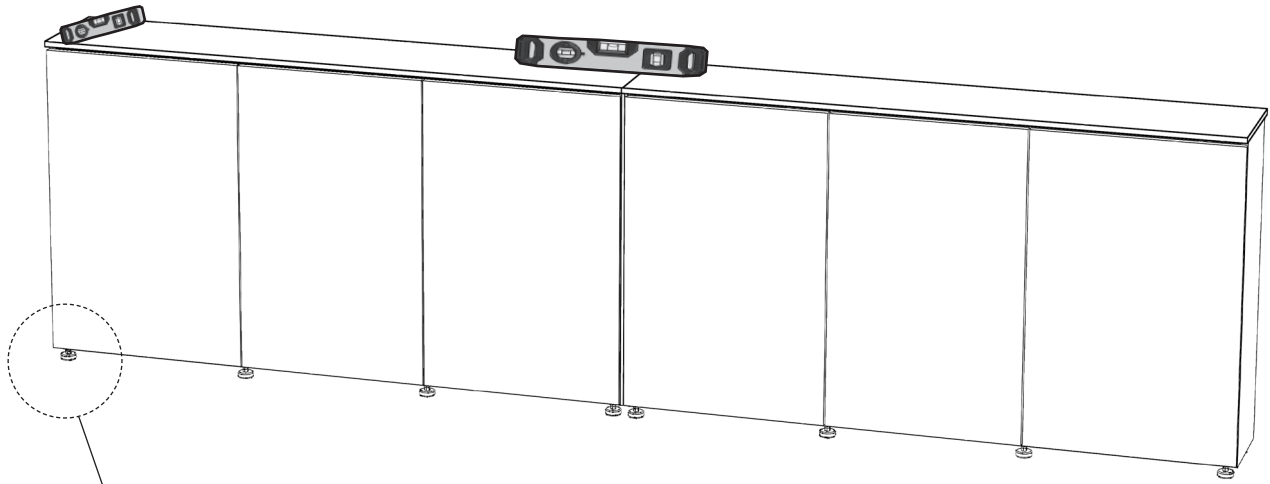


**WARNING!** This step requires two people.

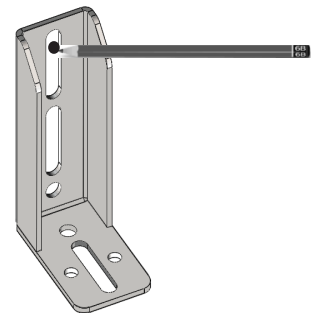
### 3. LEVEL CABINET & MARK WALL

Prior to fastening to wall, it is important to level the cabinet with the floor by verifying that feet are properly adjusted.

Check and level Length and Depth of cabinet.



- A** Loosen jam nut with supplied wrench and tighten to the locked position.



- B** Place cabinet in desired location and mark bracket holes. Once holes have been marked move cabinet.

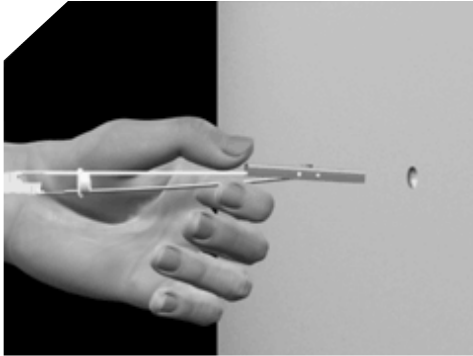
**NOTE:**

*Adjustments has been provided in the bracket to mount the cabinet 0-1" of the wall to account for baseboard trim or other obstacles.*

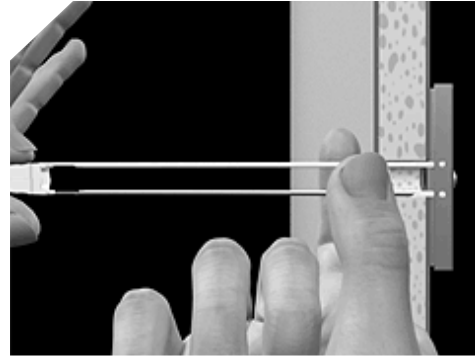
## 4. INSTALL WALL FASTENERS (MOST APPLICATIONS)

Install wall fasteners to marked location on wall & fasten cabinet.

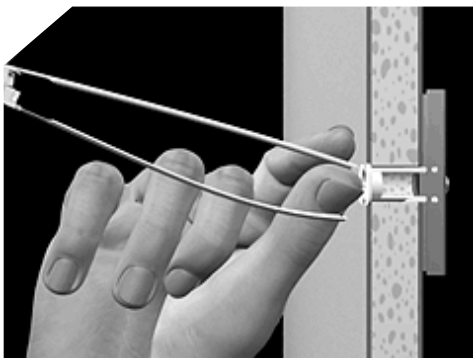
**NOTE:** Alternate fasteners (C & F) provided for wood studs.



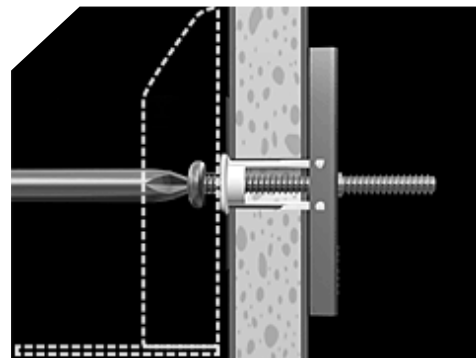
- A** Drill 1/2" diameter hole. Hold metal channel flat alongside plastic straps and slide channel through hole.



- B** Hold ends of straps between thumb and forefinger and pull toward you until channel rests flush behind wall. Slide plastic cap along straps with either hand with flange of cap is flush with wall.



- C** Snap straps at wall by pushing side to side, snapping of straps level with flange of cap.

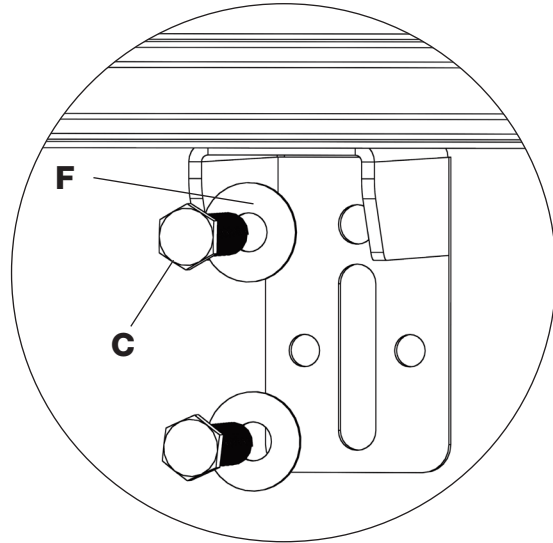
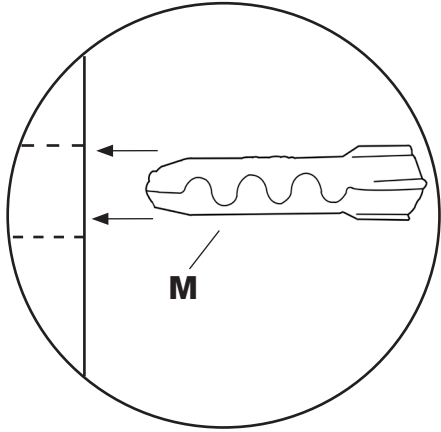


- D** Move cabinet to wall and attach bracket. Insert bolt through Bracket and tighten until snug against wall.

## 4B. INSTALL WALL FASTENERS (ALTERNATE)

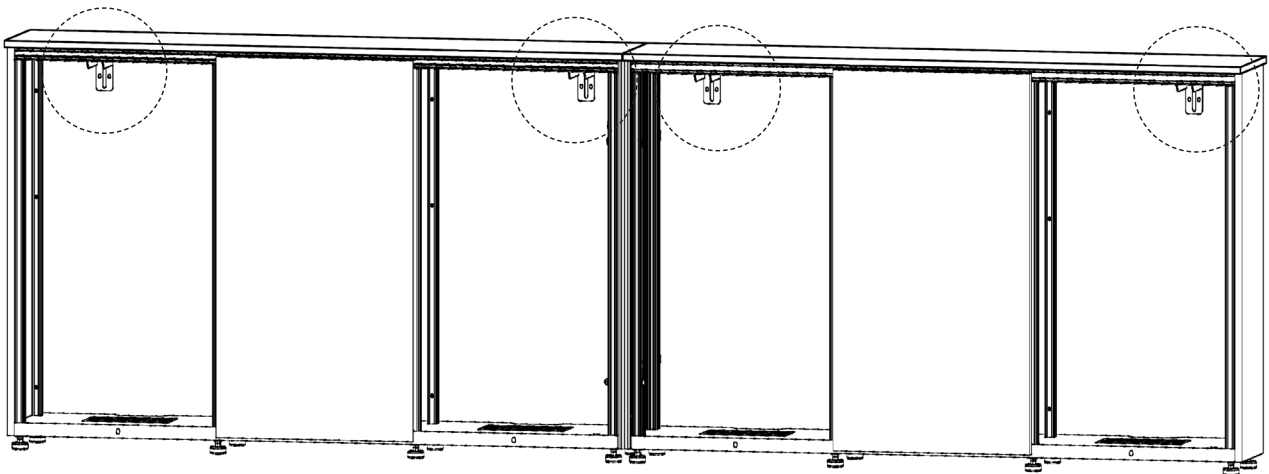
- A** **WOOD:** Locate two framing studs using a stud finder device.  
**MASONRY:** Place brackets in desired location.

- B** Use a 3/16" [5mm] drill bit and drill holes 2.5" [64mm] deep.



- C** Insert wall anchors (M) into hole.

- D** Place cabinet in place and fasten with washers (F) and Lag Bolts (C).





## 5. INSTALL BRUSH SEAL

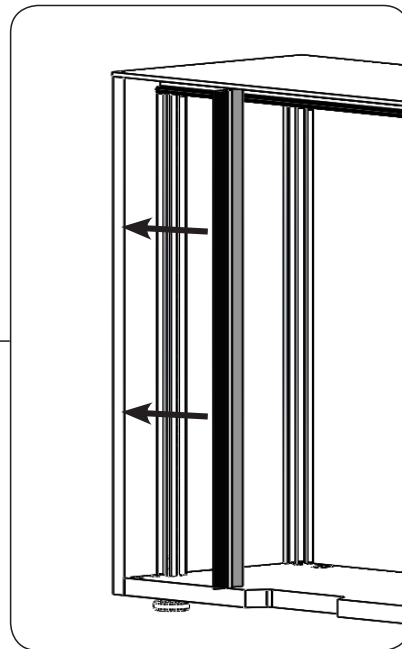
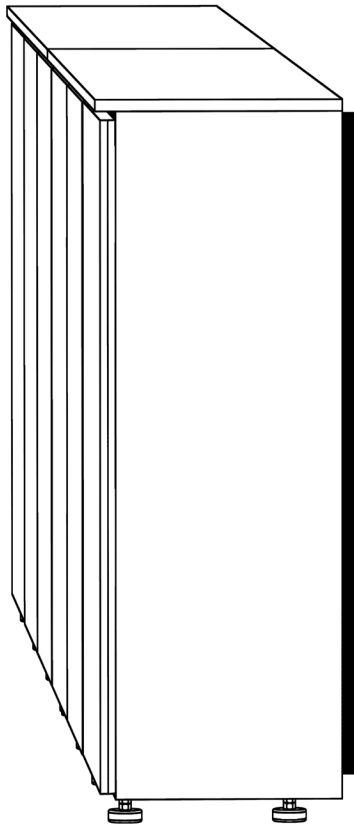


*Use with baseboard molding, trim work or gaps in uneven wall surfaces.  
Brush Seal Holders should stay flush to surface so that ONLY brush is showing.*

**A**

### **Cabinet Side**

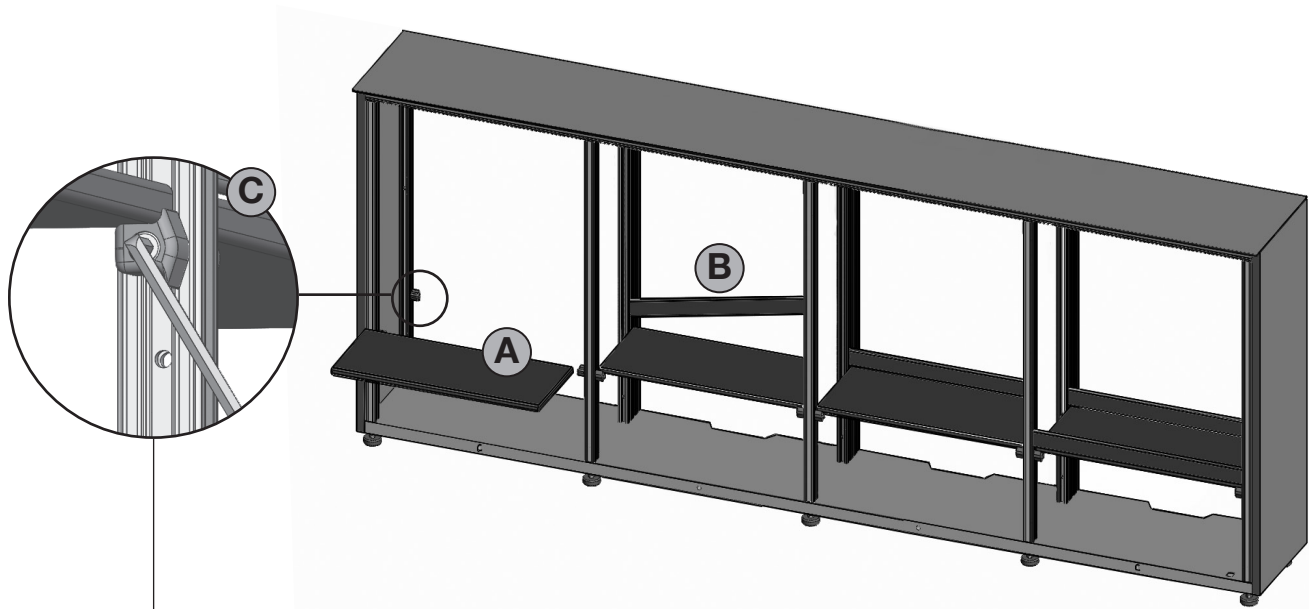
Peel off tape and install from inside of cabinet by aligning and affixing the brush seal to rear inside panel.



## 6. INSTALL SHELVES

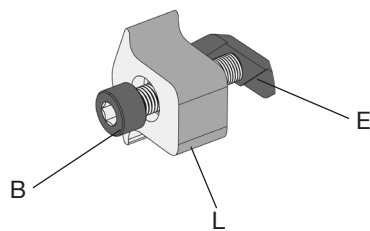
**NOTE:** Shelf pegs can be re-positioned if desired.

- A. Place shelves on pegs.
- B. Install shelf stops in front or back of shelf as desired.
- C. Shelf placement can be adjusted if necessary to either pre-drilled locations or any location using Drop-In Nuts (E) supplied.
- D. Install accessories (IR Repeater Kit, Power Conditioner, etc) and place components.

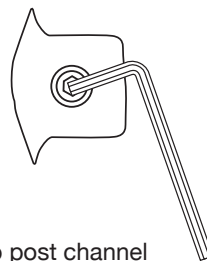


### Drop-In Nut Option

Should you desire shelf placement in location other than predrilled locations, use the drop-in nut option. This option allows shelf to be placed at any height.

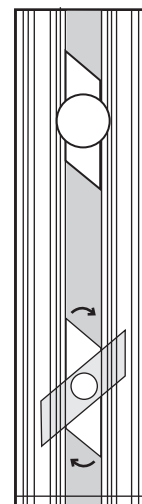


Assemble loosely as shown.



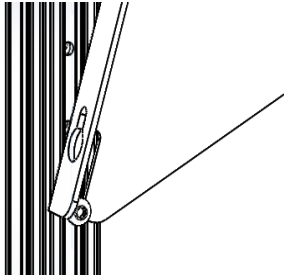
Insert into post channel and slide to desired height. Level shelf by adjusting shelf peg positions and tighten screw using hex key.

**Note:** Drop-in nut must make a 1/4 turn in post.



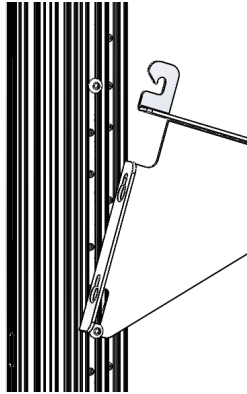
# ADJUSTMENT TIPS

## 3U VERTICAL RACK



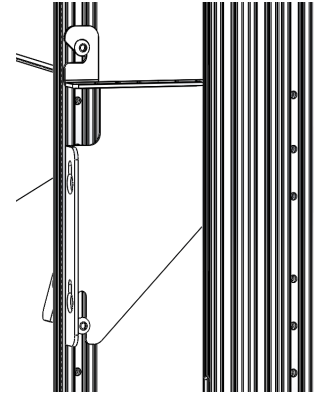
### Remove

Loosen screws on both sides. Then tilt rack until the hook is free and lift up until the rack is free from bottom screw.



### Re-Install

**A** Slide the slotted ends of the rack over the bottom screw and hook the top screw as shown.



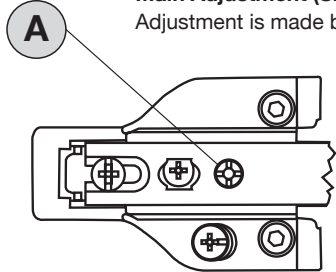
**B** Tighten with provided Hex Key.

## DOORS

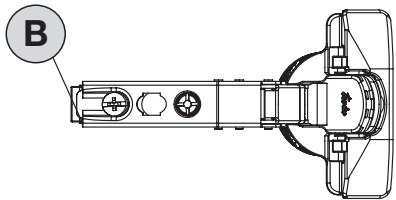
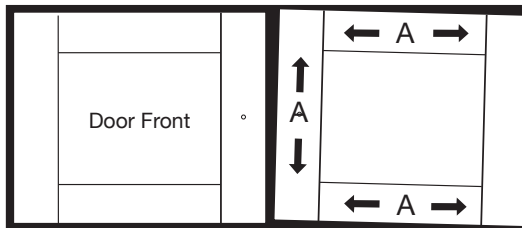
**NOTE:** It is important that cabinet is level before adjusting doors, see step 3.

### Main Adjustment (Side to Side and Up/Down)

Adjustment is made by turning screw (A) in and out.



Adjust the tops of the doors to be parallel to the top of the cabinet.



### Dismount Hinge from Hinge Plate

With one hand holding the door open, pull back on the hinge quick-release lever (B).



**SALAMANDER  
DESIGNS**

Furniture Shaped By Your Needs®

**LIMITED WARRANTY FOR COMMERCIAL VIDEO DISPLAY STANDS AND MOUNTS**

Salamander is proud to stand behind our products with industry-leading warranties. Should you ever encounter any problem with your Salamander product, let us know. We are here to make it right. 1.860.761.9500

Full warranty including limitations and warranty claim information may be found at [www.salamanderdesigns.com/commercial/warranty](http://www.salamanderdesigns.com/commercial/warranty)

**Made in USA**