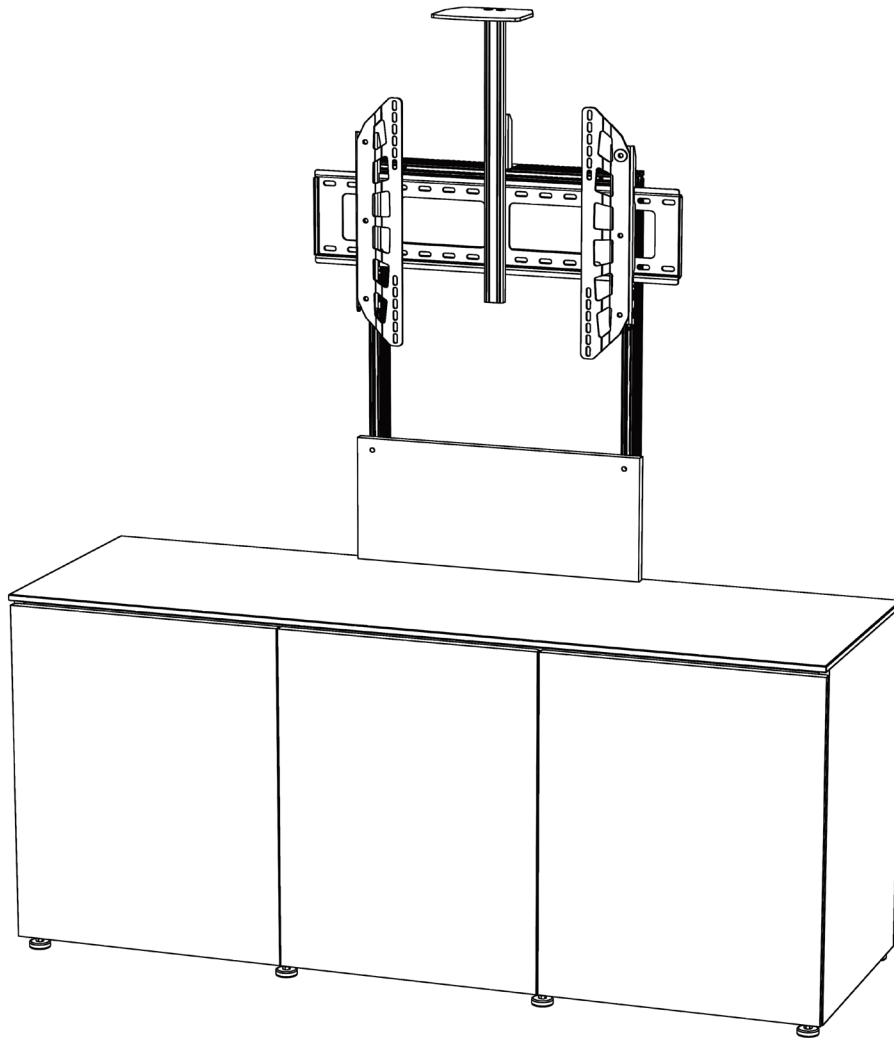




D2/337BM1 ASSEMBLY INSTRUCTIONS

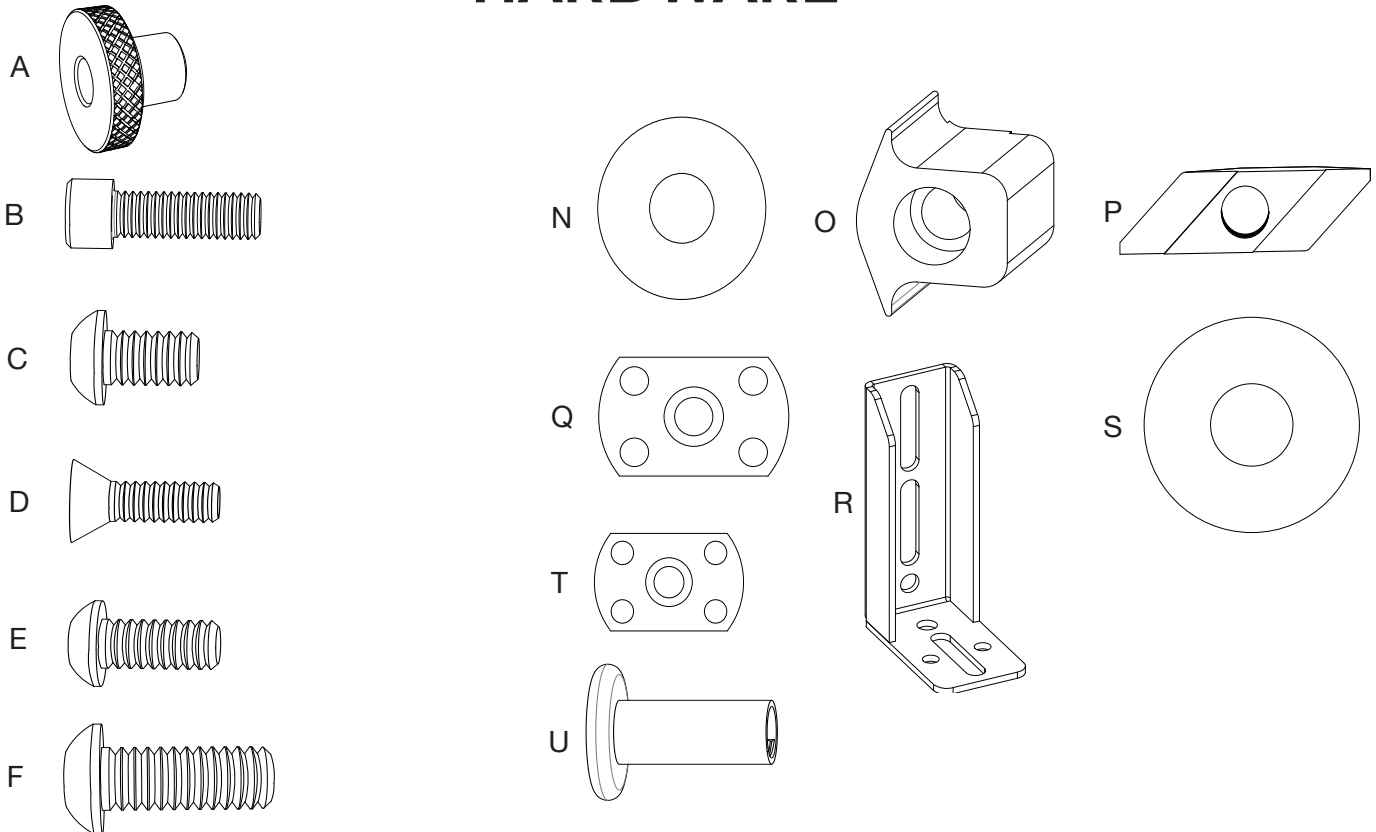
3 BAY AV CREDENZA WITH SINGLE DISPLAY MOUNT



TIP HAZARD WARNING!

For use with video monitors weighing **175lbs (80kg)** or less.
Use with heavier televisions may result in instability causing
tip over resulting in death or serious injury.

HARDWARE



| ID | PART # | DESCRIPTION |
|----|---------|---|
| A | 300-530 | 1/4-20 Thumb Nut |
| B | 303-524 | 5/16-18 x 1" Head Socket Cap Screw |
| C | 300-518 | 1/4-20 x 3/8" Button Head Socket Screw |
| D | 301-000 | 5/16 x 3/4" Countersink Socket Screw |
| E | 300-485 | 1/4-20 x 1/2" Button Head Socket Screw |
| F | 300-575 | 1/4-20 x 5/8" Button Head Screw |
| G | 300-455 | 1/4-20 x 1" Head Socket Cap Screw |
| H | 303-505 | 1/4-20 x 3/4" Set Screw |
| I | 300-465 | 1/4-20 x 3/4" Head Socket Screw |
| J | 302-315 | 10-32 x 5/8" Flanged Button Head Socket Screw |
| K | 303-462 | 1/4-20 x 2.25" Head Socket Screw |
| L | 303-525 | 5/16-18 x 1.50" Head Socket Screw |
| M | 301-695 | M8 x 16mm Pan Phillips Head Screw |
| N | 300-468 | 1/4" Flat Washer |
| O | 300-835 | Universal Shelf Peg |
| P | 300-565 | Drop In Nut |
| Q | 300-560 | 1/4-20 Flat Nut |
| R | 303-855 | Universal Wall Bracket |
| S | 301-470 | 5/16" Flat Washer |
| T | 300-520 | 1/4-20 Small Flat Nut |
| U | 301-265 | 1/4-20 - JCN |

TOOLS INCLUDED

| PART # | DESCRIPTION |
|-----------|--------------------------|
| P-400-030 | Driver Bit 1/4" Hex Key |
| 400-035 | Leveler Wrench |
| 400-030 | 1/4" Hex Key |
| 400-070 | 1/8" Hex Key |
| 400-080 | 5/32" Hex Key |
| 400-058 | 3/16" Hex Key- Short Arm |
| 301-240 | 1"x 2" Double Sided Tape |


TOOLS NEEDED

#2 Phillips Head Screw Driver
1/2 Drill Bit for Standard Installation
Pencil
Tape Measure
Level

WARNINGS

IMPORTANT SAFETY INSTRUCTIONS

READ ALL INSTRUCTIONS BEFORE USING THIS FURNISHING

 **WARNING!** Failure to comply with these instructions may result in accident involving serious personal injury. Failing to follow these instructions can result in the product being damaged or being destroyed or voiding of the warranty.

 **WARNING!** For use with video monitors weighing **175lbs (80kg)** or less. Use with heavier televisions may result in instability causing tip over resulting in death or serious injury.

 **CAUTION!**

- Close supervision is necessary when this furnishing is used by or near children, invalids, or disabled persons
- Use this furnishing only for its intended use as described in these instructions. Do not use attachments not recommended by the manufacturer.
- Do not use outdoors
- For Commercial Use Only

 **Weight Capacities:** Max Load: D2/337BM1 - 175 lbs (80kg)

******* SAVE THESE INSTRUCTIONS *******

Accessories and Spare Parts

Please contact Salamander Designs 860.761.9500 or www.salamanderdesigns.com/commercial

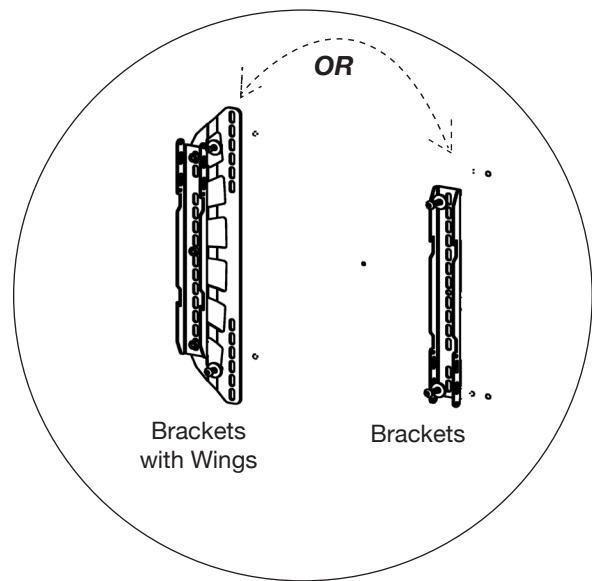
1. INSTALL DISPLAY BRACKETS

A Determine if Extension Wings are Required to Mount Your Display

Measure the mounting pattern on your display:

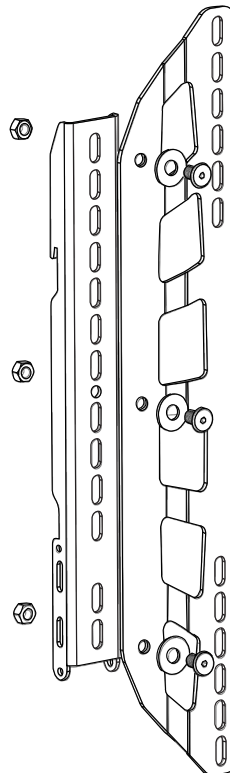
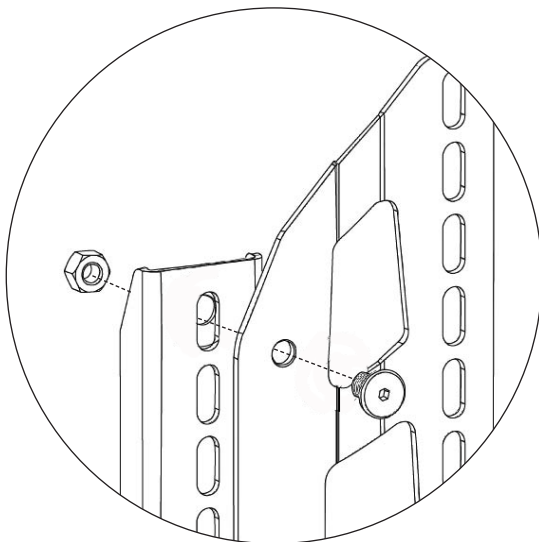
200 x 200 to 600 x 400
Use Only Display Brackets

600 x 400 to 800 x 500
Use Display Brackets
with Extension Wings



B Assemble Extension Wings if Required

Extension wings are fastened to display brackets using the 3 flat head screws, washers and lock nuts provided in the PL100 Mount Kit prior to mounting your display.



1. INSTALL DISPLAY BRACKETS

C Attach Brackets to Display

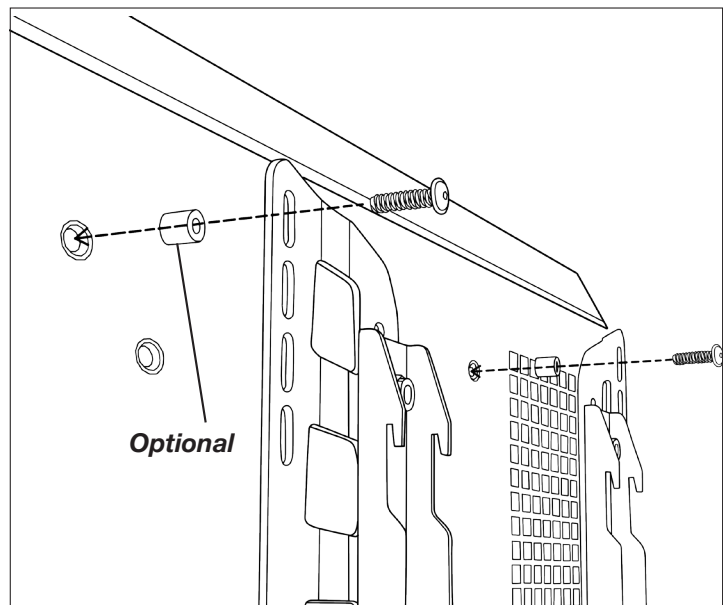
Fasten the brackets using fasteners (length and size recommended by the display manufacturer). **Using improper screw length can damage the display.**

NOTE:

An assortment of screws and optional spacers have been provided in the PL100 Kit.

Optional Spacers are provided for additional clearance between the mount and the Display if necessary.

M8 16mm screws are supplied for use with Microsoft Surface Hub₂.



2. ADJUSTING MOUNT

A Determine Vertical Position of Mount

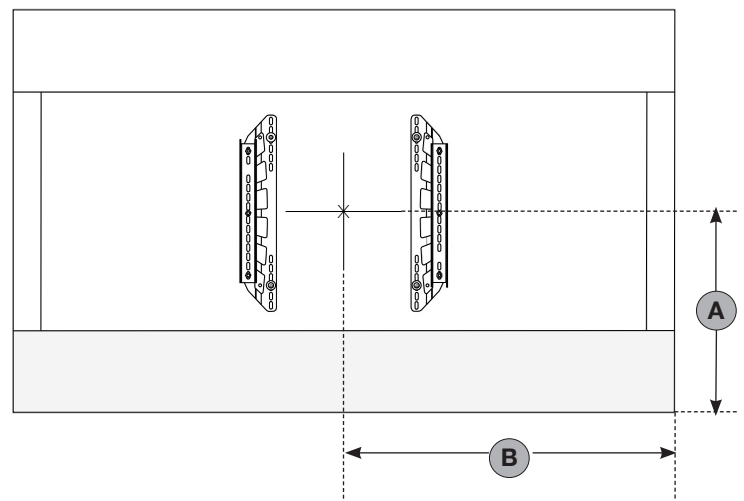
Measure from the bottom of display to center of display mount bracket.

B Determine Horizontal Position of Mount

Measure the length of the display and divide by 2 to get the horizontal mount center.

NOTE:

If a space between the two displays is required, add half of the width of the space to this dimension.



2. ADJUSTING MOUNT

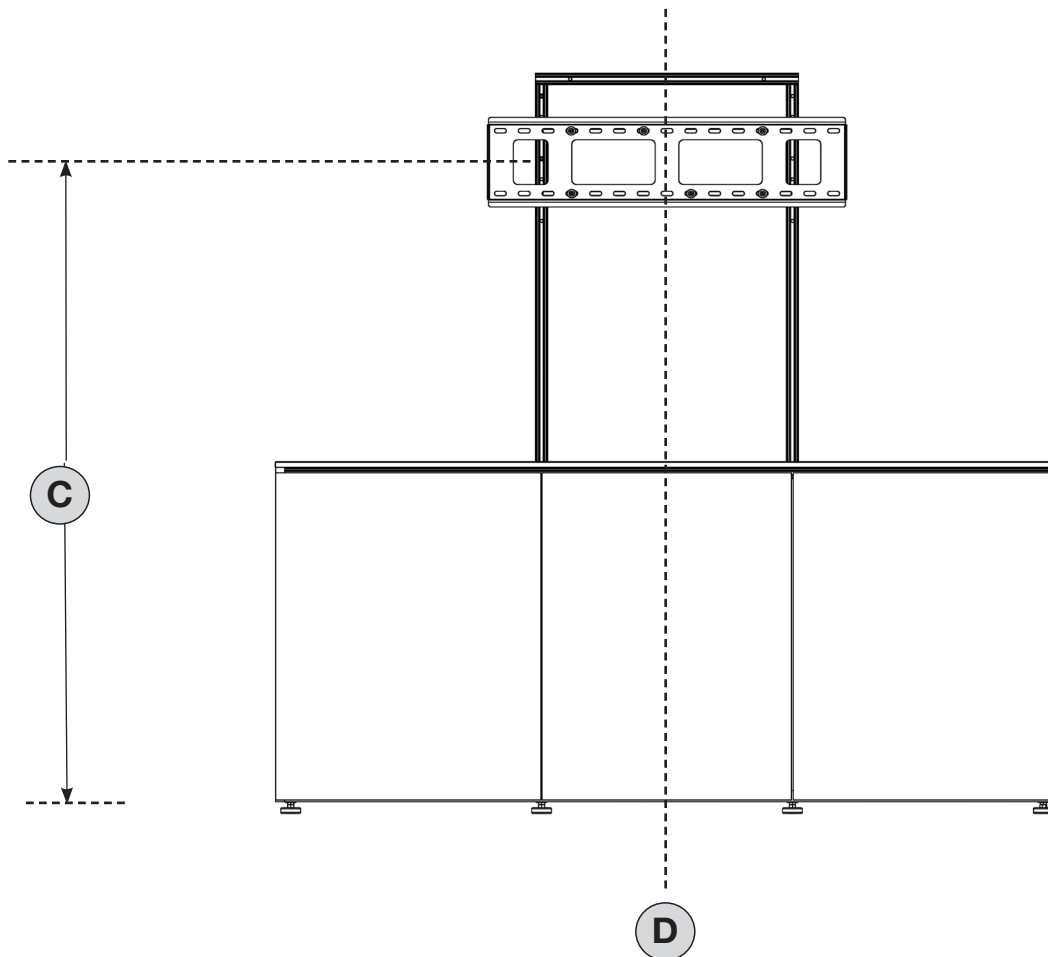
- C Determine Current Vertical Position of Mount** - This will provide bottom of screen to floor dimension for the current position of the mount.

Measure from the floor or top of cabinet to the current center of the Mount Plate installed and subtract the vertical dimension determined in step 2A. The difference is the amount of adjustment required.

- D Determine Current Horizontal Position of Mount**

Measure from the center line of the cabinet to the center of the Mount Plate and subtract the horizontal dimension determined in step 2B. The difference is the amount of adjustment required.

Follow steps 2E thru 2I if vertical and/or horizontal adjustments are needed.

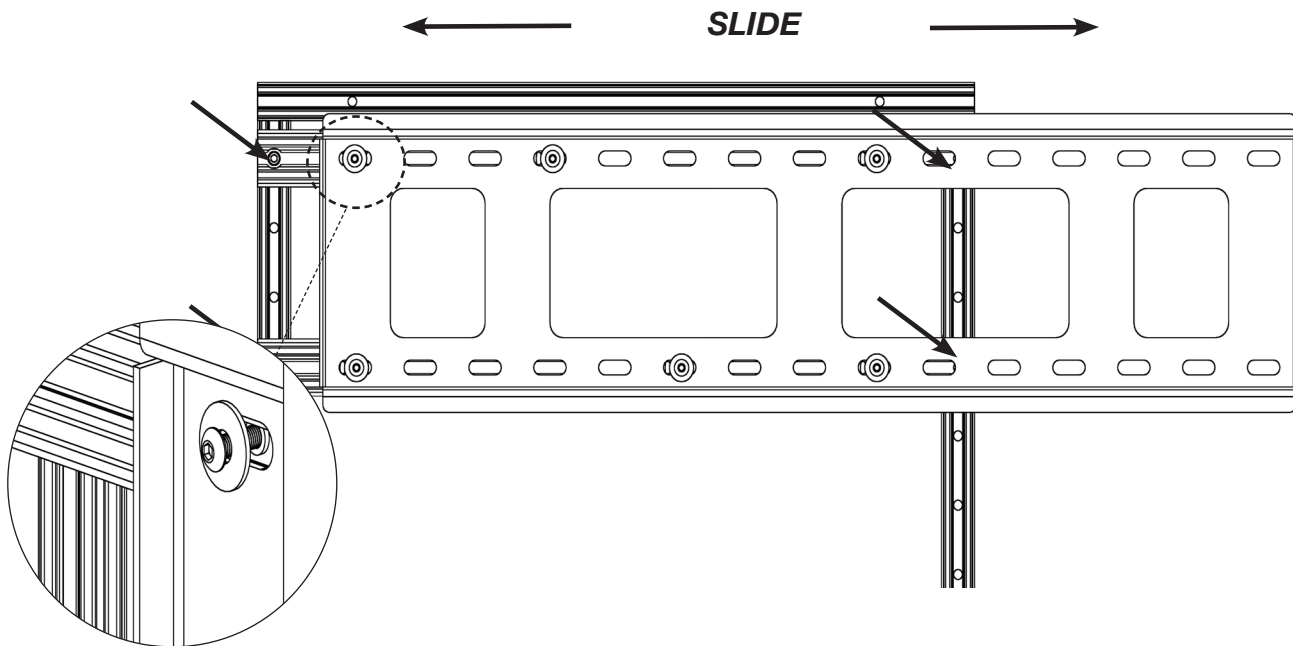


2. ADJUSTING MOUNT

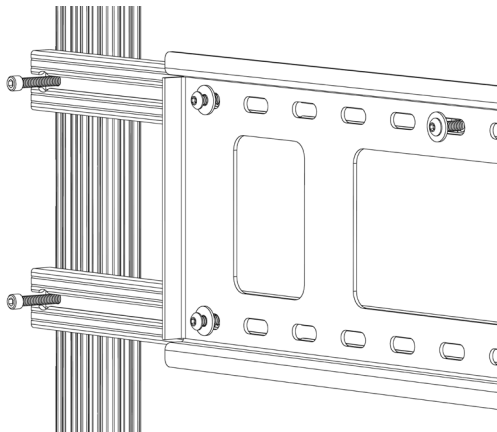
E Vertical Mount Adjustment

Vertical adjustment is incrementally made by using the holes spaced 2" on the vertical mounting extrusions. If both vertical and horizontal adjustments are needed please read both 2E thru 2I prior to making adjustments. Fastening points are shared.

Loosen Mount Plate and slide left or right to gain access to the fasteners of the horizontal mounting extrusions.



Loosen bolts fastening the horizontal mounting extrusions to vertical mounting extrusions. The flat nuts at the back of the vertical mounting extrusions will drop and need to be repositioned.



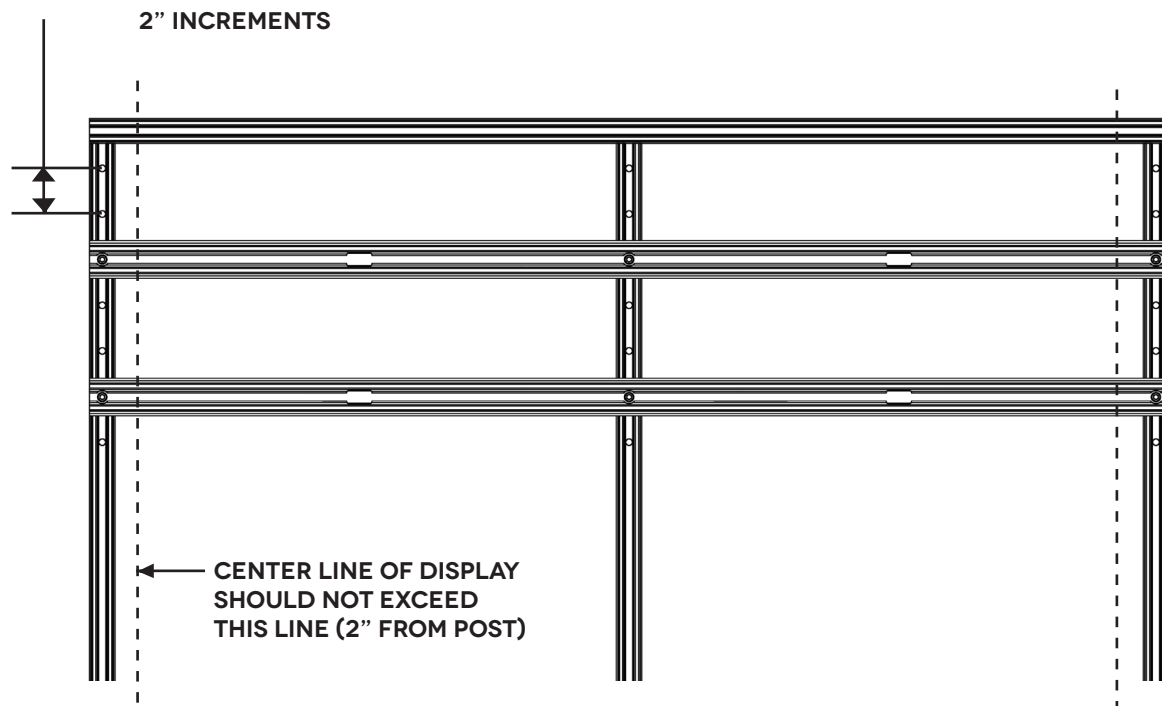
If vertical adjustments are necessary reposition the horizontal mounting extrusions with the fasteners in place and refasten to the vertical mounting extrusions. Level the wall bracket while retightening move to step 2F if horizontal adjustments are needed.

2. ADJUSTING MOUNT

F Horizontal Mount Adjustment

Relocate the bolt positions on the vertical mounting extrusions to provide 2" incremental adjustments.

NOTE: *The center line of the Display should never be positioned further than the indication shown*



**** The Diagram above show the horizontal mounting extrusions without mount plates for visual clarification ****

Re-fasten assembly while re-leveling mount plates.

NOTE: *It is important to Display alignment that brackets are level and aligned. A long straight edge or string can help to measure.*

3. CAMERA SHELF (OPTIONAL)

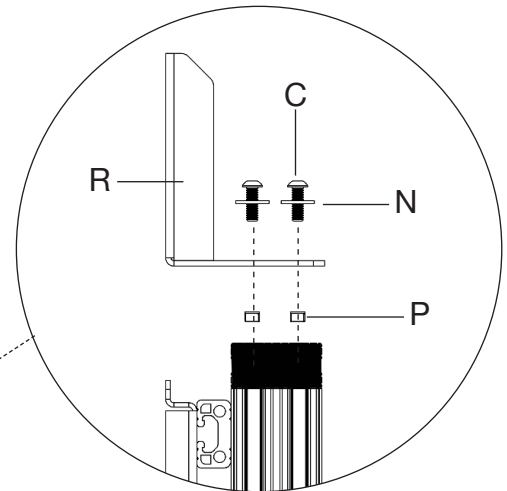
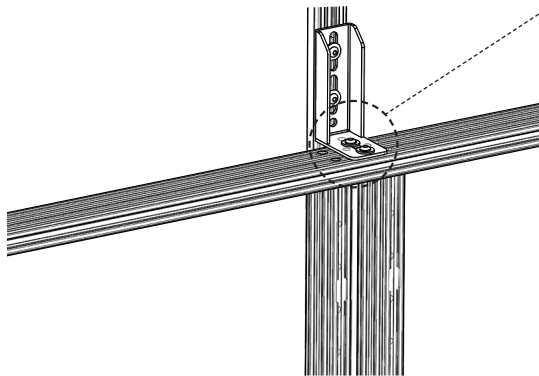
A Install Mount

Loosely assemble Screws (C), Washers (N) and Drop-In Nuts (P) though Bracket (R).

Affix Bracket to top of the horizontal mounting post by sliding Drop-In Nuts (P) into slots.

Adjust bracket to desired location and tighten with provided Hex Key.

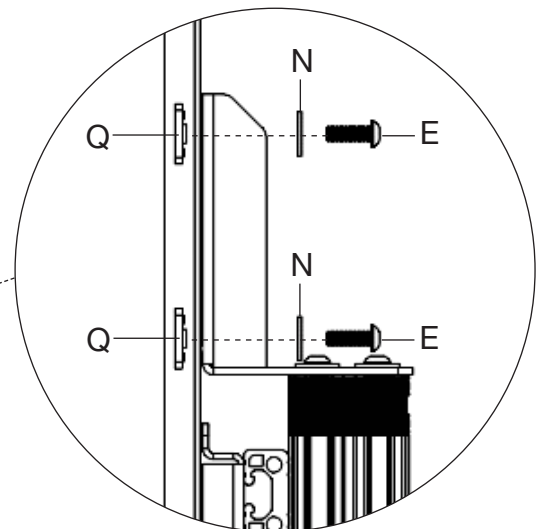
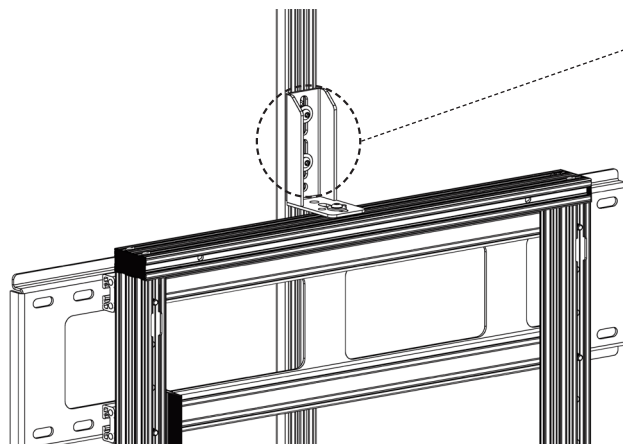
Verify that Drop-In Nuts catch extrusion.



B Install Mount

Insert 2 Flat Nuts (Q) into Camera Mounting post.

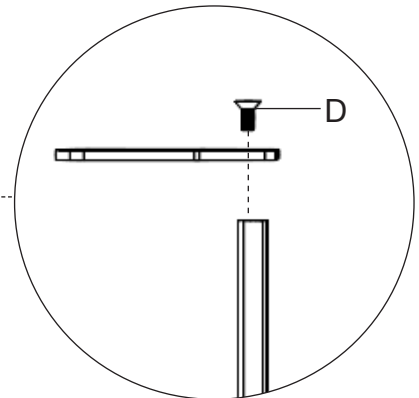
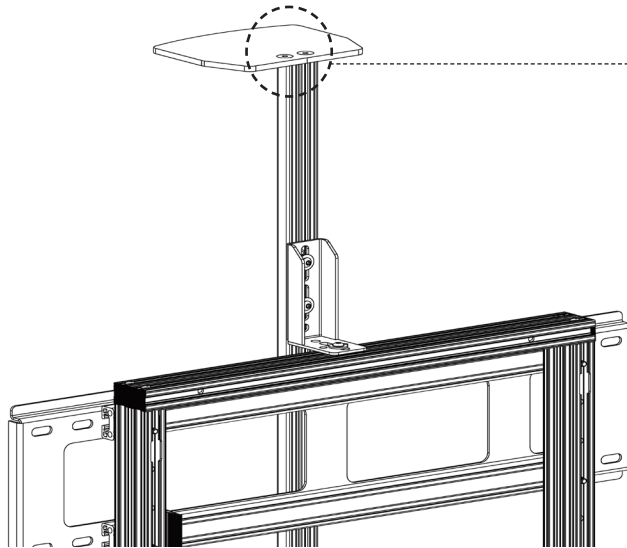
Insert Screw (E) and Washer (N) through the Bracket and tighten with Hex Key.



3. CAMERA SHELF (OPTIONAL)

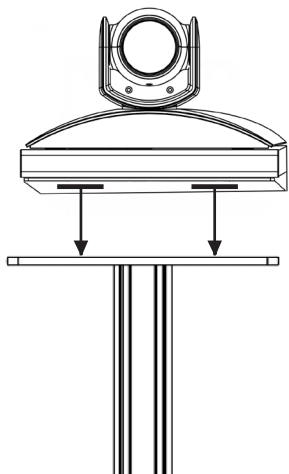
C Install Shelf

Install Camera Shelf to Mounting Post using 2 Screws (D).



D Place Camera

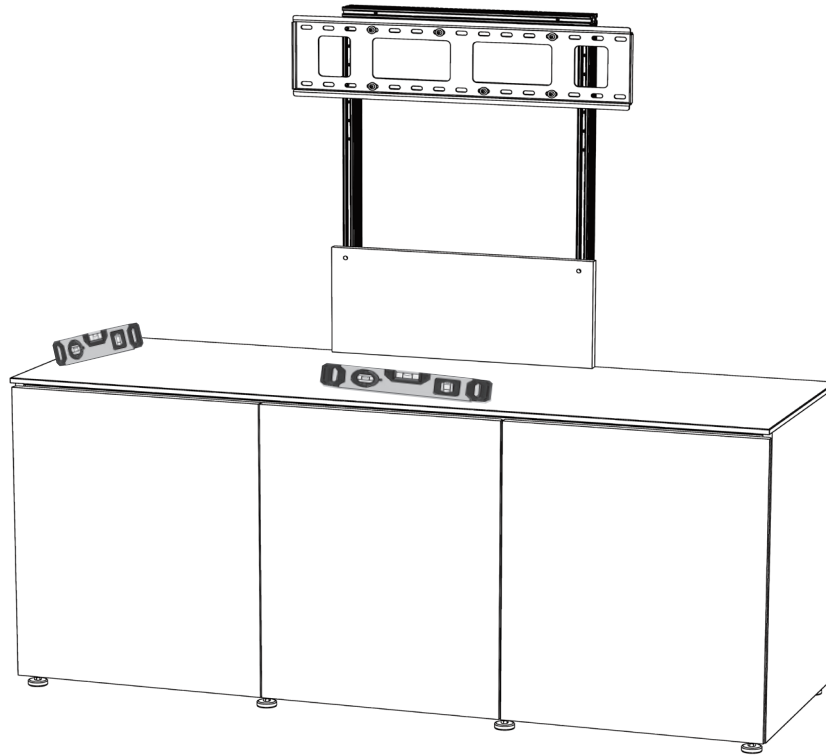
Use double side tape to secure camera from sliding off shelf.



4. LEVEL CABINET

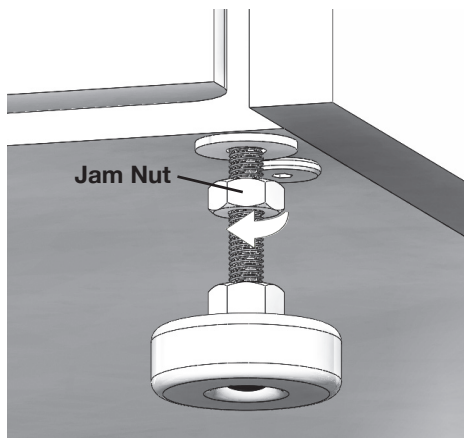


WARNING! This step requires two people.



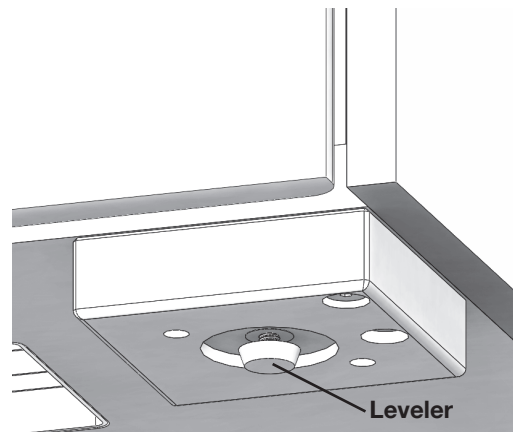
Leveler Foot

Loosen jam nut with supplied wrench and tighten to the locked position.



Wood Block Foot

Lift cabinet and adjust leveler by hand.

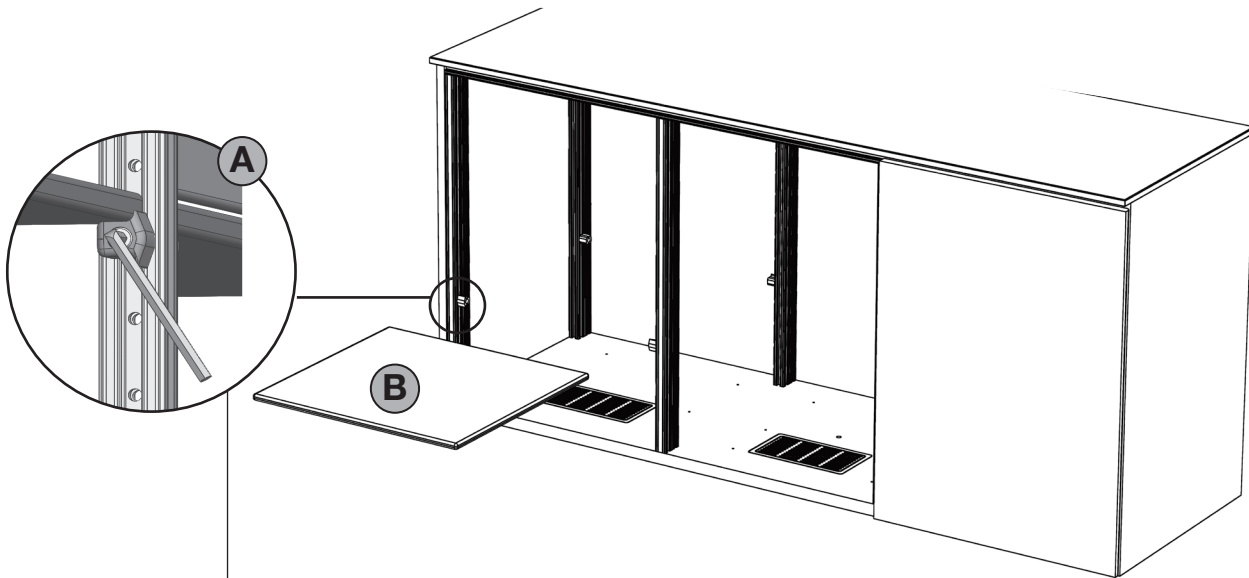


5. INSTALL SHELVES

NOTE: Shelf pegs can be re-positioned if desired.

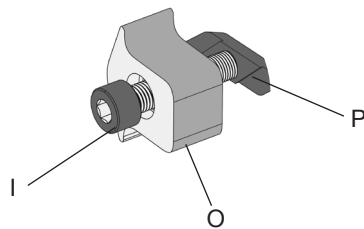
A. Shelf placement can be adjusted if necessary to either predrilled locations or any location using Drop-In Nuts (P) Shelf Peg assembly (see diagram below).

B. Place shelves on pegs.

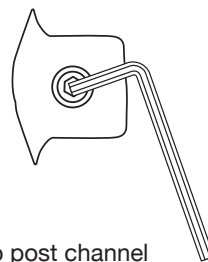


Drop-In Nut Option

Should you desire shelf placement in location other than predrilled locations, use the drop-in nut option. This option allows shelf to be placed at any height.

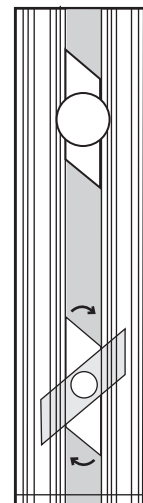


Assemble loosely as shown.



Insert into post channel and slide to desired height. Level shelf by adjusting shelf peg positions and tighten screw using hex key.

Note: Drop-in nut must make a 1/4 turn in post.



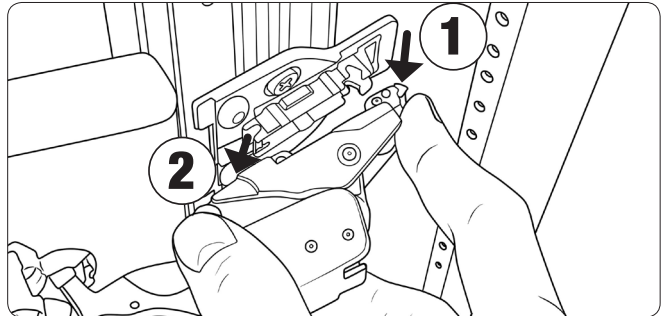
6. RACK CARTRIDGE

For re-installation of Rack Cartridge reverse steps.

A Remove Door

Release tab (1), then pull forward off hinge base (2).

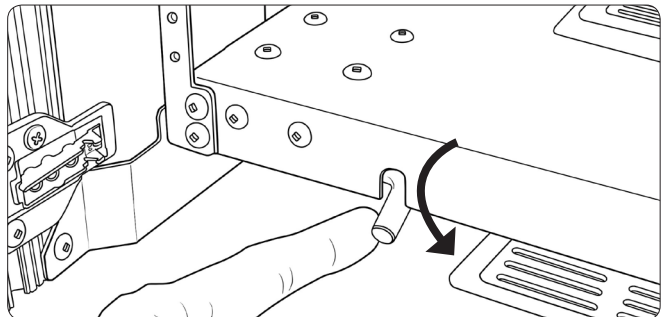
NOTE: For re-installation be sure to lock Release Tab (1) into place before setting hinge base (2) back into place.



B Unlock Rack

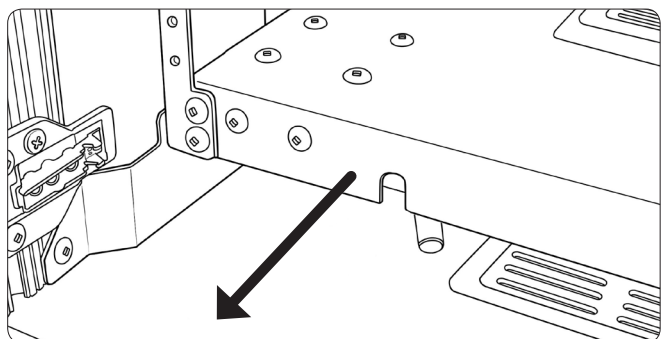
Push latch toward center and latch into notch.

NOTE: In re-installation be sure to hear a click sound to know that the cartridge rack is locked back into place



C Remove Rack

To remove Cartridge Rack slide forward toward the front of cabinet and remove.

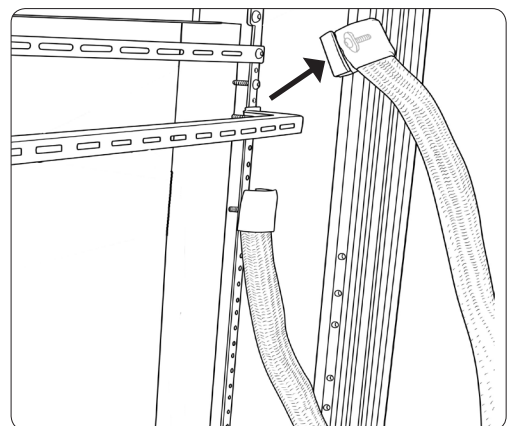


D Remove Wire Loom

Remove Thumb Nut, Stud, Washer, Drop-In Nut and Screw.

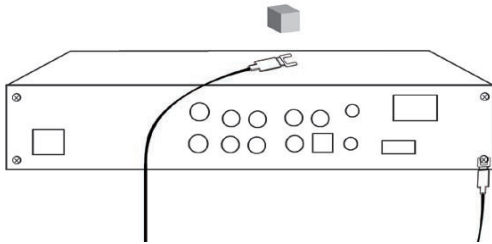
NOTE: Do not remove Drop-In Nut completely, leave loosely attached to Thumb Nut.

Re-installation- Reattach Thumb-Nut, Stud, Washer and Drop-In Nut. Using Screw and washer attach the other end to the rack.

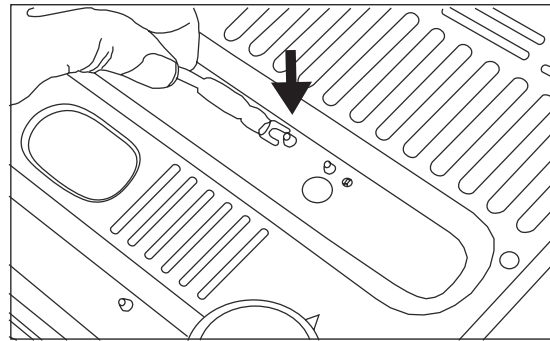


7. INSTALL REAR COOLING PANEL

A Attach Thermistor



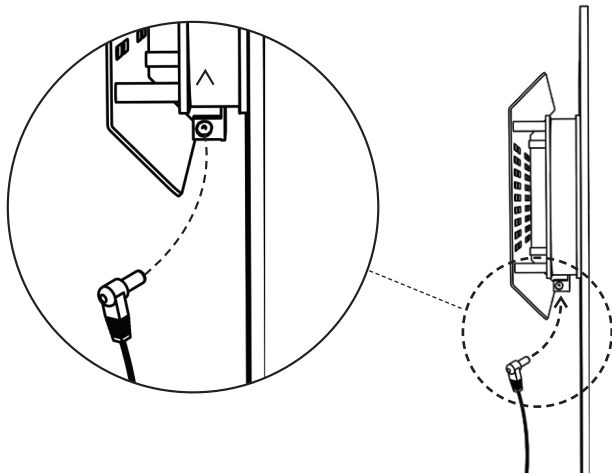
Use supplied magnetic cube to hold thermistor in place on top of the hottest piece of equipment closest to the heat source.



Alternative connection, connect the thermistor directly to the component. Loosen screw and slip the thermistor wire under the screw head and tighten.

B Plug in Power Supply

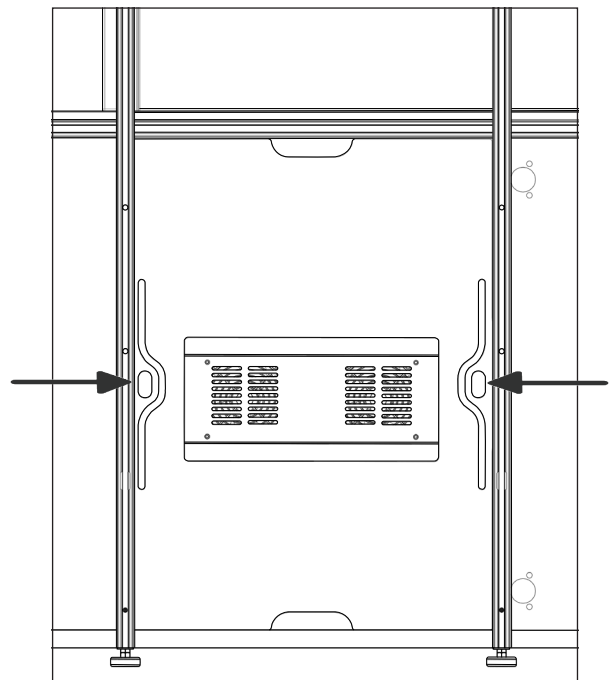
Plug in Ac adaptor bottom center behind fan grill.



C Install Rear Cooling Panel

Squeeze in the provided handled slots and pull outward until panel is free.

NOTE: Reverse step for re-installation. Upon removal, carefully place rear panel in the up right position so not to damage the fan assembly.





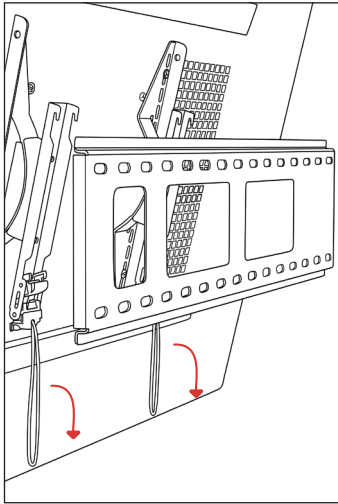
WARNING! This Step Requires Two People

8. INSTALL DISPLAY TO MOUNT

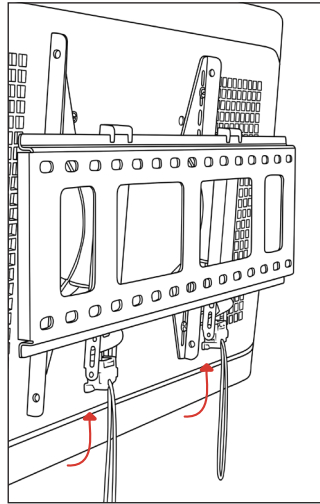
Lift display and place on Plano mounting bracket.

NOTE:

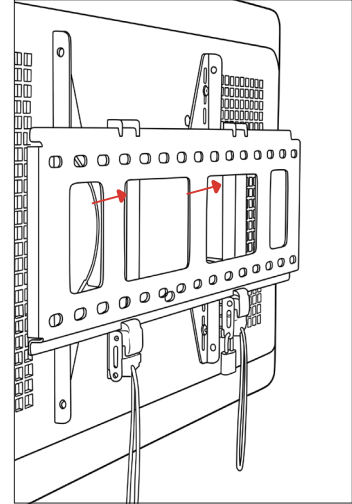
*Be sure that lip of screen brackets are aligned with the mounting bracket.
Failure to do so may result in injury or damage to product.*



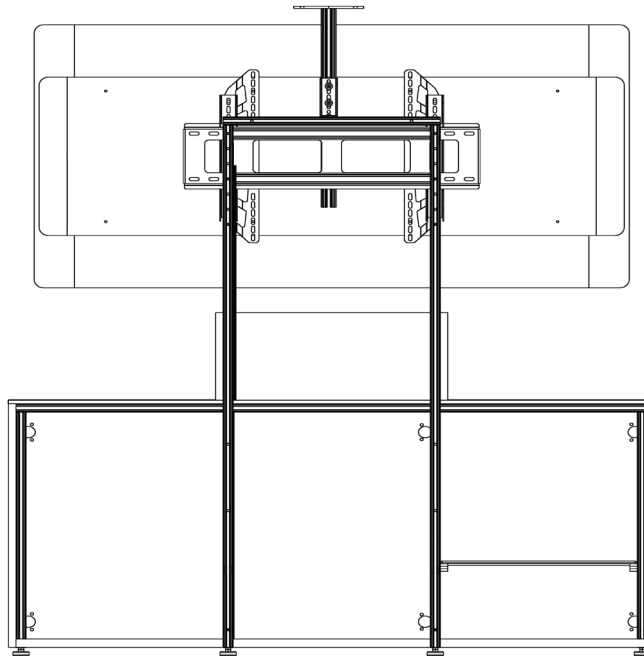
Pull on black cord to unlock Click Fasteners and hook TV Brackets onto Wall Bracket from top.



Center TV Brackets on Wall Bracket and push black Click Fasteners up into lock position.



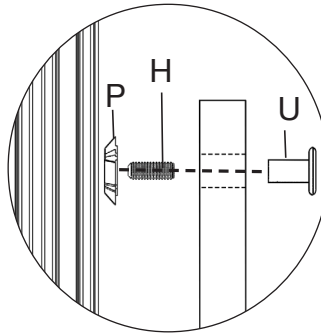
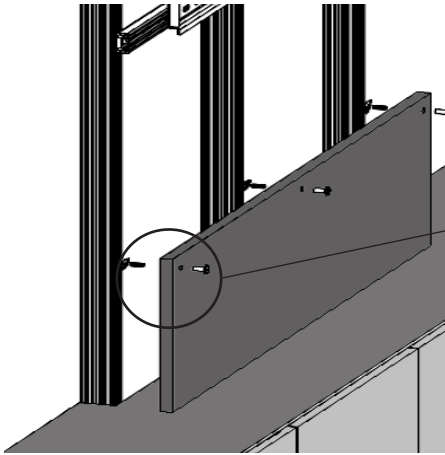
Install Pad Lock.



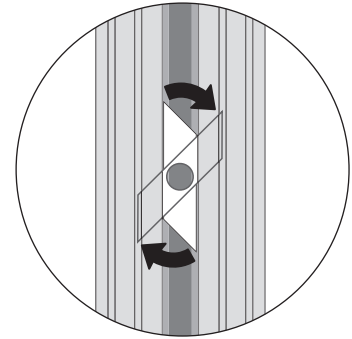
ADJUSTMENT TIPS

MODESTY PANEL *Removing and Re-Installing*

NOTE: Be sure bottom of modesty panel is flush to cabinets top.



A Loosely assemble Set Screw (H), JCN (U) and Drop-In Nut (P) through each hole in the panel.

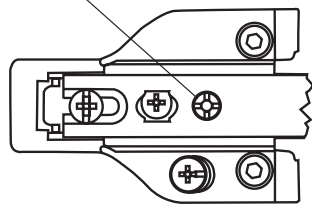


B Insert Drop-In Nut (P) into the slots of the vertical mounting post and using the provided Hex Key.

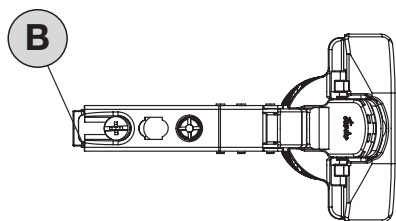
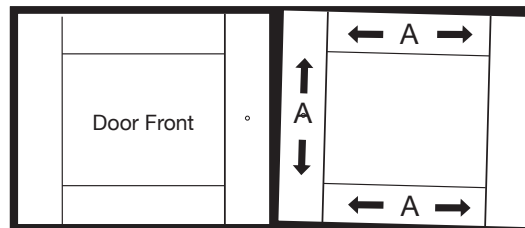
DOORS

NOTE: It is important that cabinet is level before adjusting doors, see step 4.

A **Main Adjustment (Side to Side and Up/Down)**
Adjustment is made by turning screw (A) in and out.



Adjust the tops of the doors to be parallel to the top of the cabinet.



Dismount Hinge from Hinge Plate
With one hand holding the door open, pull back on the hinge quick-release lever (B).



**SALAMANDER
DESIGNS**

Furniture Shaped By Your Needs ®

LIMITED WARRANTY FOR COMMERCIAL VIDEO DISPLAY STANDS AND MOUNTS

Salamander is proud to stand behind our products with industry-leading warranties. Should you ever encounter any problem with your Salamander product, let us know. We are here to make it right. 1.860.761.9500

Full warranty including limitations and warranty claim information may be found at www.salamanderdesigns.com/commercial/warranty

Made in USA