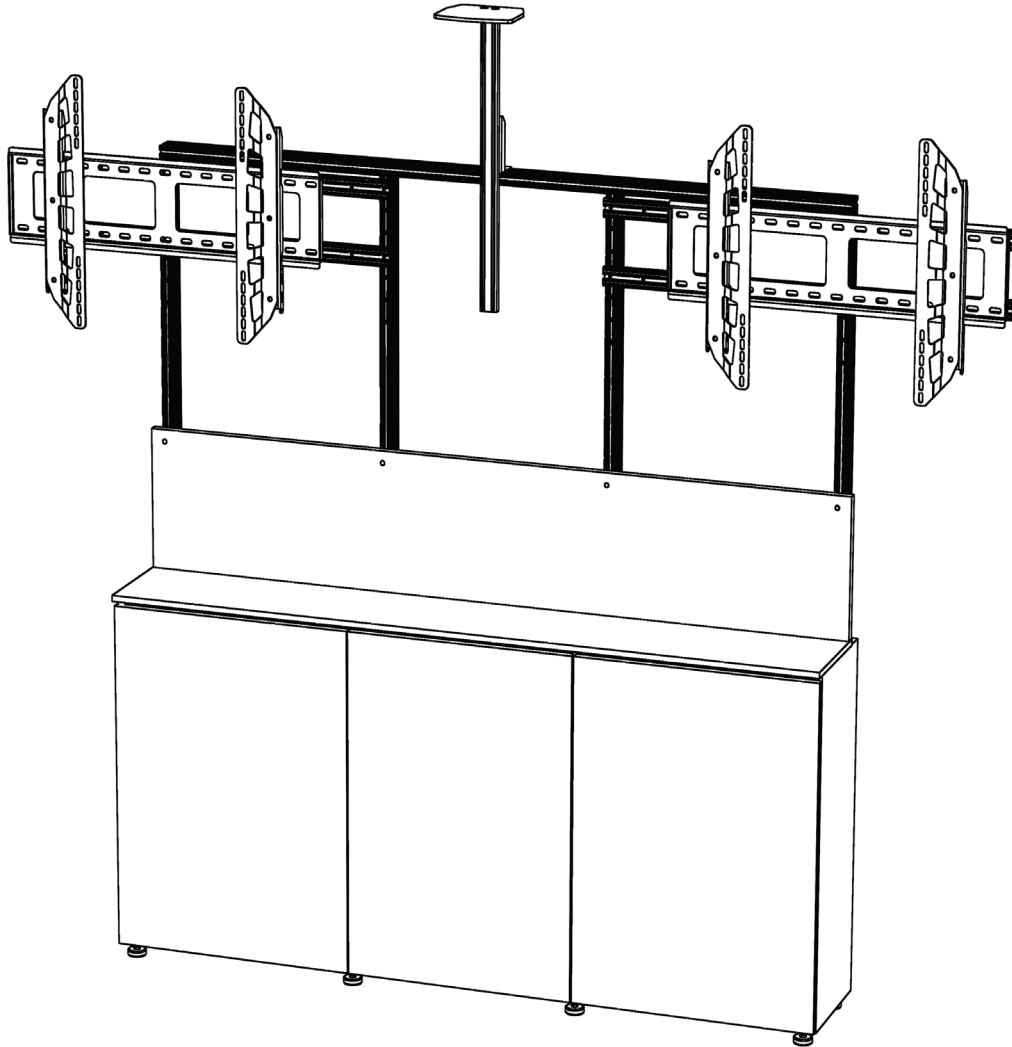




D1/337AM1 ASSEMBLY INSTRUCTIONS

3 BAY LOW PROFILE – DUAL DISPLAYS WALL MOUNT CABINET

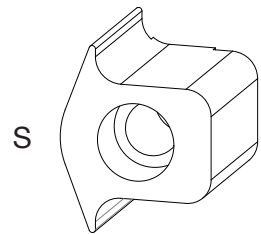
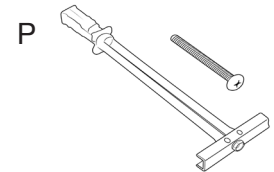
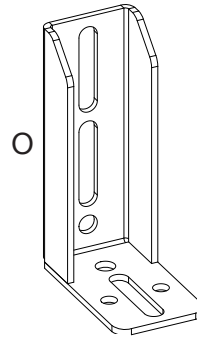
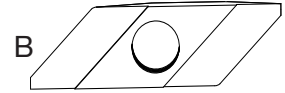
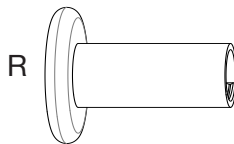
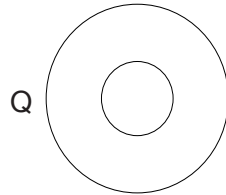
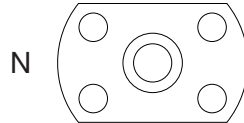
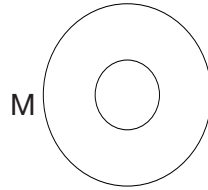
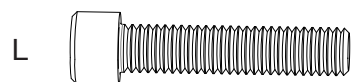
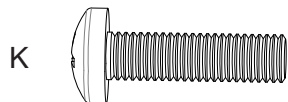
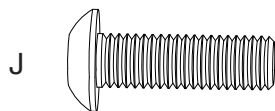
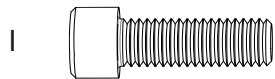
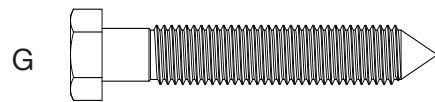
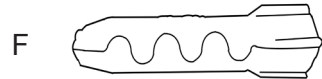
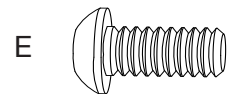
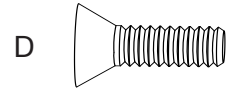
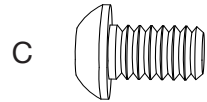
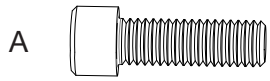


TIP HAZARD WARNING!

Cabinet must be affixed to wall.

For use with video monitors weighing **175lbs (80kg)** or less.
Use with heavier televisions may result in instability causing
tip over resulting in death or serious injury.

HARDWARE



ID	PART #	DESCRIPTION
A	303-524	5/16-18 x 1" Head Socket Cap Screw
B	300-565	Drop In Nut
C	300-518	1/4-20 x 3/8" Button Head Socket Screw
D	301-000	5/16 x 3/4" Countersink Socket Screw
E	300-485	1/4-20 x 1/2" Button Head Socket Screw
F	301-055	3/8 x 2" Alligator Wall Anchors
G	301-730	5/16 x 2.5" Lag Bolt
H	303-505	1/4-20 x 3/4" Set Screw
I	300-465	1/4-20 x 3/4" Head Socket Screw
J	302-310	10-32 x 5/8" Button Head Socket Screw
K	301-695	M8 x 16 mm Pan Phillips Head Screw
L	303-525	5/16-18 x 1.50" Head Socket Screw
M	300-468	1/4" Flat Washer
N	300-560	1/4-20 Flat Nut
O	303-855	Universal Wall Bracket
P	301-745	Hollow Wall Anchors
Q	300-470	5/16" Flat Washer
R	301-265	1/4-20 - JCN
S	300-835	Universal Shelf Peg

TOOLS INCLUDED

PART #	DESCRIPTION
P-400-030	Driver Bit 1/4" Hex Key
400-030	1/4" Hex Key
400-070	1/8" Hex Key
400-080	5/32" Hex Key
400-058	3/16" Hex Key- Short Arm
400-035	Leveler Wrench
301-240	1"x 2" Double Sided Tape


TOOLS NEEDED


Drill Driver
#2 Phillips Head Screw Driver
1/2 Drill Bit for Standard Installation
3/16" Drill Bit for Wood Stud Installation
3/8" Drill Bit for Masonry Installation
Pencil
Tape Measure
Level

WARNINGS

IMPORTANT SAFETY INSTRUCTIONS

READ ALL INSTRUCTIONS BEFORE USING THIS FURNISHING

 **WARNING!** Failure to comply with these instructions may result in accident involving serious personal injury. Failing to follow these instructions can result in the product being damaged or being destroyed or voiding of the warranty.

 **WARNING!** For use with video monitors weighing **175lbs (80kg)** or less. Use with heavier televisions may result in instability causing tip over resulting in death or serious injury.

 **CAUTION!**

- Close supervision is necessary when this furnishing is used by or near children, invalids, or disabled persons
- Use this furnishing only for its intended use as described in these instructions. Do not use attachments not recommended by the manufacturer.
- Do not use outdoors
- For Commercial Use Only

 **Weight Capacities:** Max Load: D1/337AM2 - 175 lbs (80kg)

******* SAVE THESE INSTRUCTIONS *******

Accessories and Spare Parts

Please contact Salamander Designs 860.761.9500 or www.salamanderdesigns.com/commercial

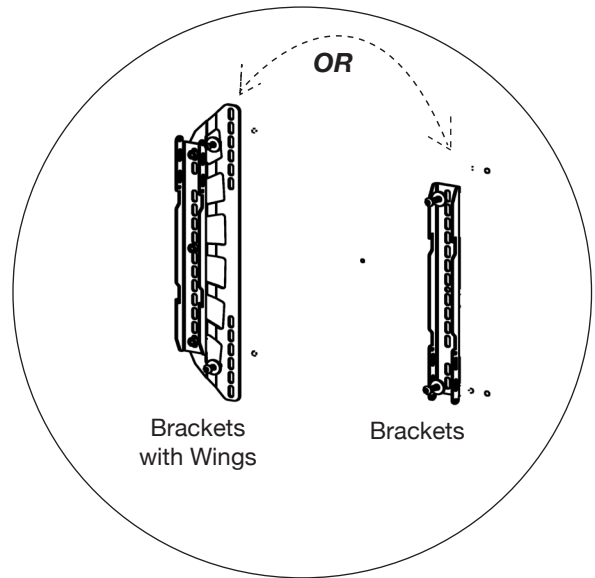
1. INSTALL DISPLAY BRACKETS

A Determine if Extension Wings are Required to Mount Your Display

Measure the mounting pattern on your display:

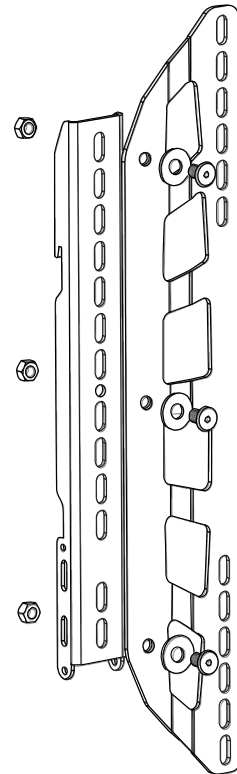
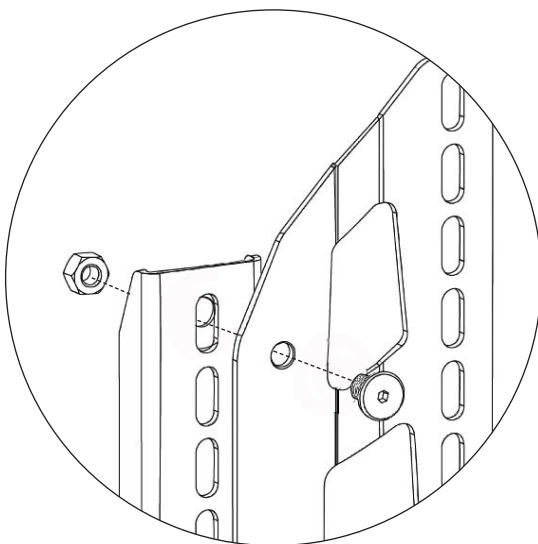
200 x 200 to 600 x 400
Use Only Display Brackets

600 x 400 to 800 x 500
Use Display Brackets with Extension Wings



B Assemble Extension Wings if Required

Extension wings are fastened to display brackets using the 3 flat head screws, washers and lock nuts provided in the PL100 Mount Kit prior to mounting your display.



1. INSTALL DISPLAY BRACKETS

C Attach Brackets to Display

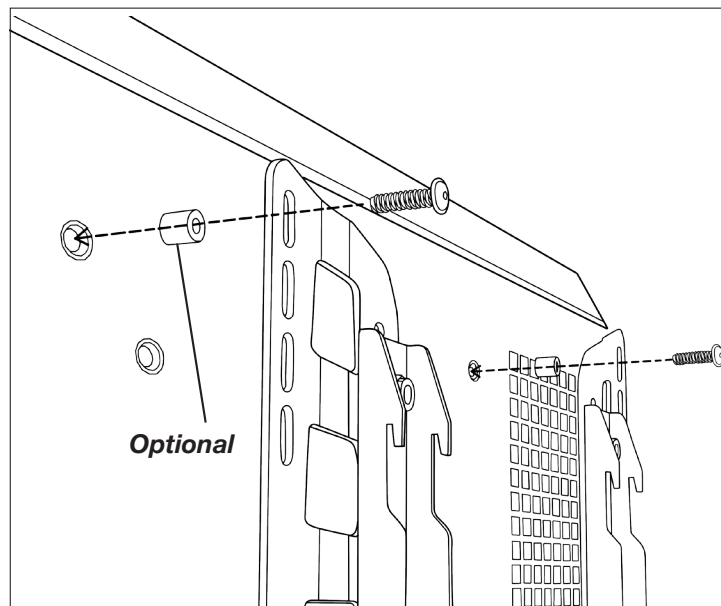
Fasten the brackets using fasteners (length and size recommended by the display manufacturer). **Using improper screw length can damage the display.**

NOTE:

An assortment of screws and optional spacers have been provided in the PL100 Kit.

Optional Spacers are provided for additional clearance between the mount and the Display if necessary.

M8 16mm screws are supplied for use with Microsoft Surface Hub.



2. ADJUSTING MOUNT

A Determine Vertical Position of Mount

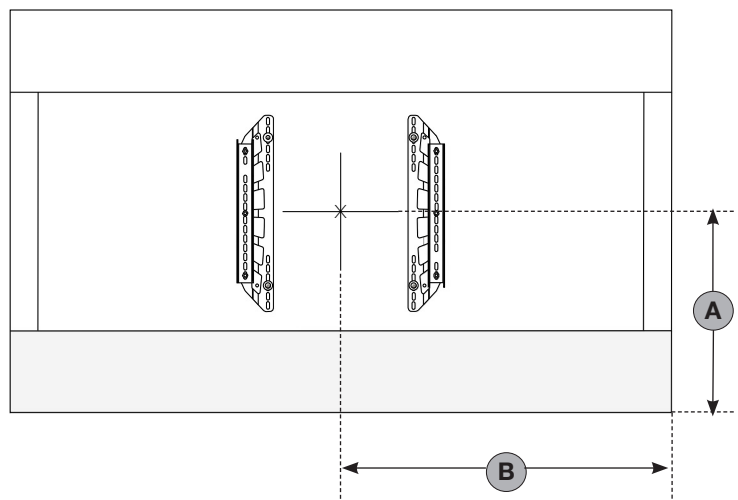
Measure from the bottom of display to center of display mount bracket.

B Determine Horizontal Position of Mount

Measure the length of the display and divide by 2 to get the horizontal mount center.

NOTE:

If a space between the two displays is required, add half of the width of the space to this dimension.



2. ADJUSTING MOUNT

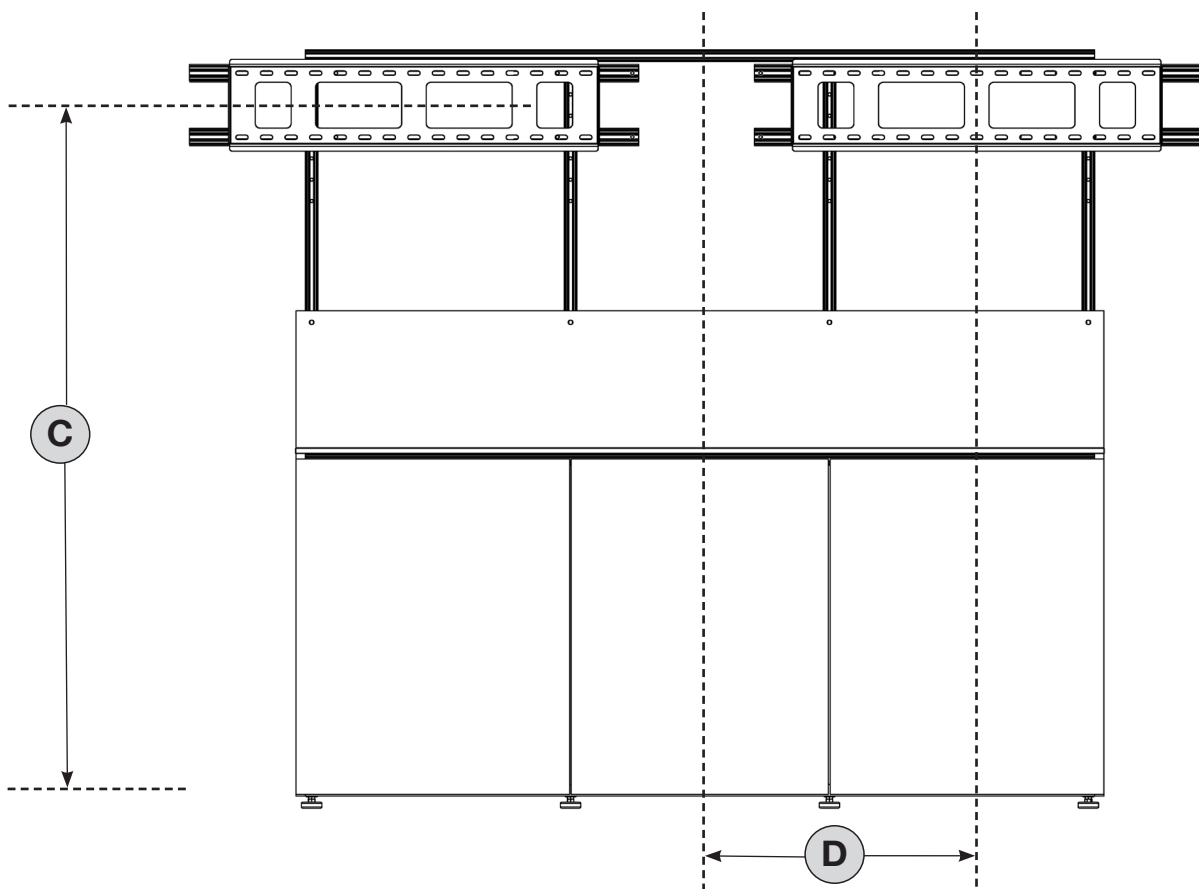
- C Determine Current Vertical Position of Mount** - This will provide bottom of screen to floor dimension for the current position of the mount.

Measure from the floor or top of cabinet to the current center of the Mount Plate installed and subtract the vertical dimension determined in step 2A. The difference is the amount of adjustment required.

- D Determine Current Horizontal Position of Mount**

Measure from the center line of the cabinet to the center of the Mount Plate and subtract the horizontal dimension determined in step 2B. The difference is the amount of adjustment required.

Follow steps 2E thru 2I if vertical and/or horizontal adjustments are needed.

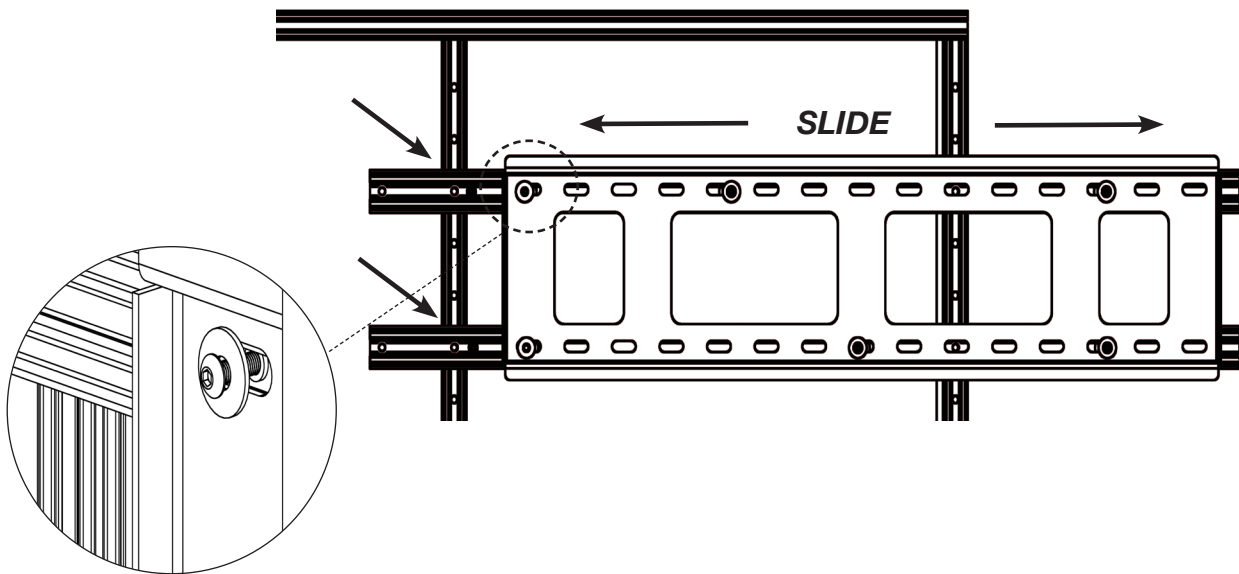


2. ADJUSTING MOUNT

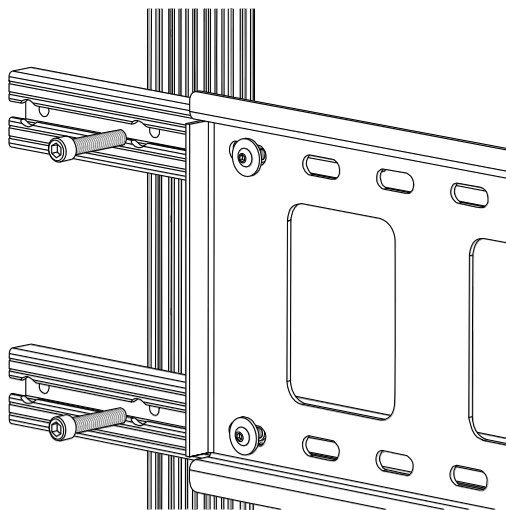
E Vertical Mount Adjustment

Vertical adjustment is incrementally made by using the holes spaced 2" on the vertical mounting extrusions. If both vertical and horizontal adjustments are needed please read both 2E thru 2I prior to making adjustments. Fastening points are shared.

Loosen Mount Plate and slide left or right to gain access to the fasteners of the horizontal mounting extrusions.



Loosen bolts fastening the horizontal mounting extrusions to vertical mounting extrusions. The flat nuts at the back of the vertical mounting extrusions will drop and need to be repositioned.



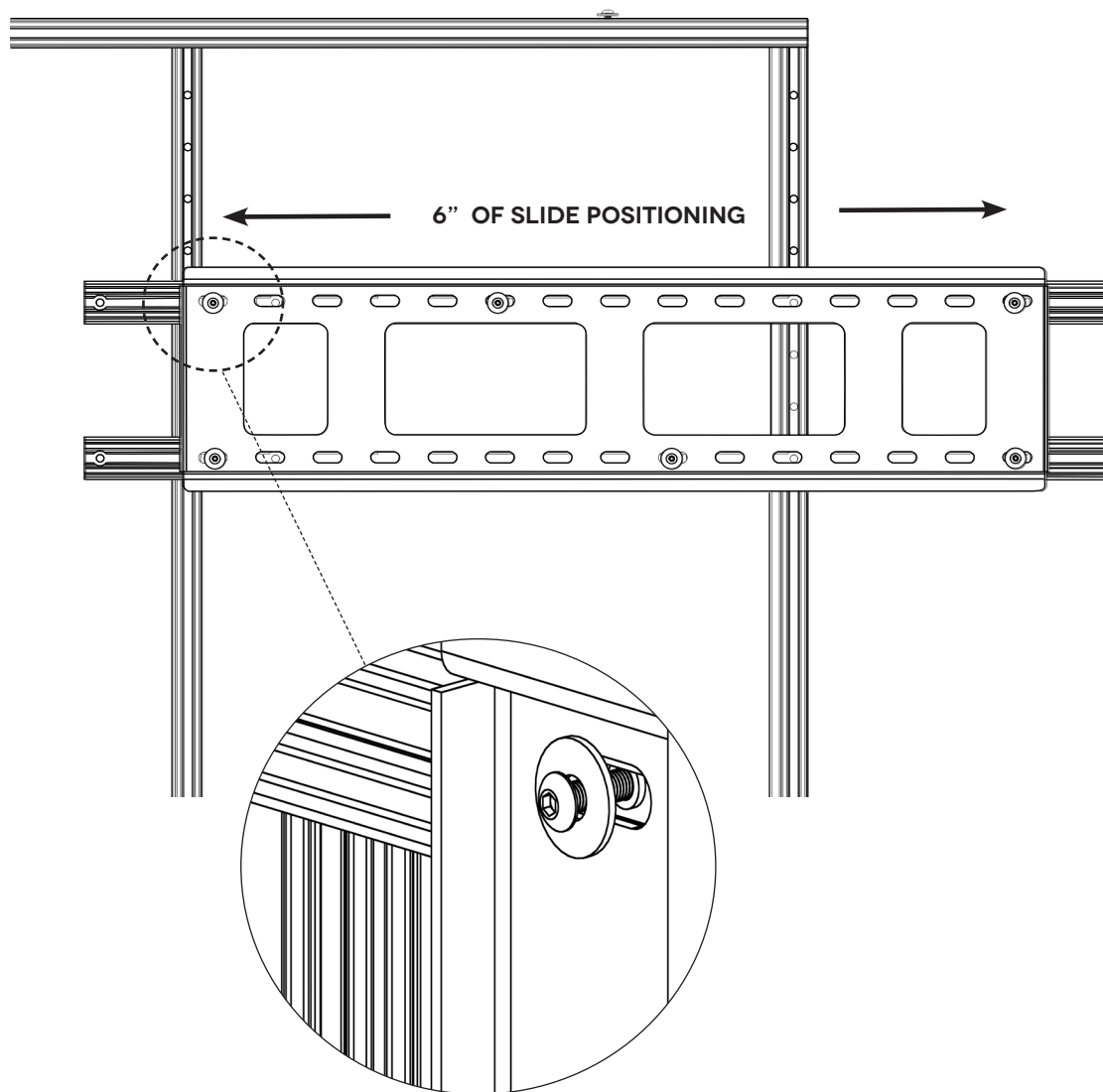
If vertical adjustments are necessary reposition the horizontal mounting extrusions with the fasteners in place and refasten to the vertical mounting extrusions. Level the wall bracket while retightening move to step 2F if horizontal adjustments are needed.

2. ADJUSTING MOUNT

F Horizontal Mount Adjustment

Relocate fasteners along the horizontal extrusions for large 3" incremental adjustment or loosen the wall plate providing 6" of left to right positioning adjustment on the vertical extrusions.

Loosen the wall plate and slide left or right for minor adjustments.

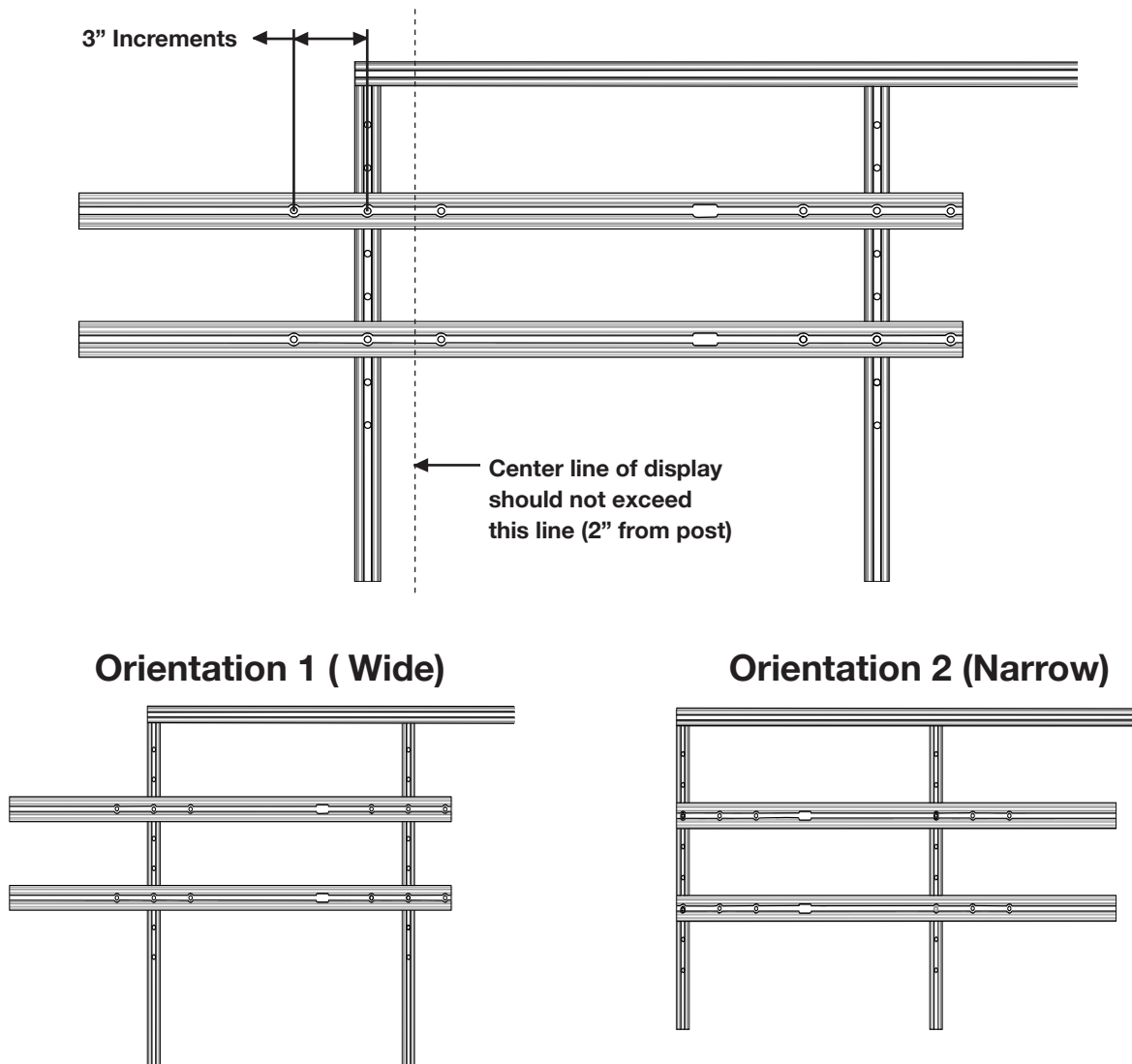


2. ADJUSTING MOUNT

G Horizontal Mount Adjustment

Relocate the bolt positions on the vertical mounting extrusions to provide larger 3" incremental adjustments. The orientation of the horizontal mounting extrusions provide 3 wide positions and 3 narrow positions by reversing the orientations of the extrusions.

NOTE: *The center line of the Display should never be positioned further than the indication shown*



**** The Diagram above show the horizontal mounting extrusions without mount plates for visual clarification ****

Re-fasten assembly while re-leveling mount plates.

NOTE: *It is important to Display alignment that brackets are level and aligned. A long straight edge or string can help to measure.*

3. CAMERA SHELF (OPTIONAL)

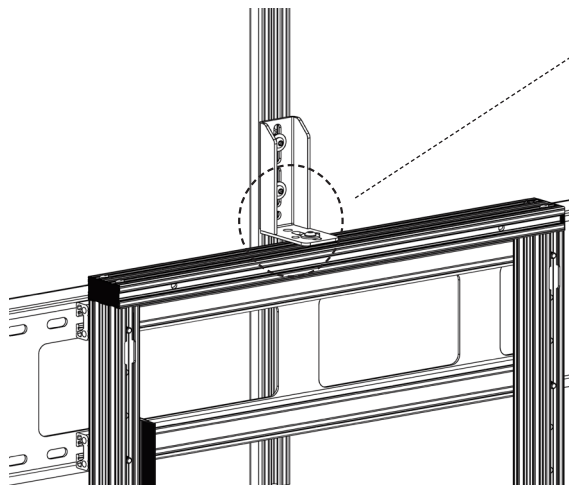
A Install Mount

Loosely assemble Screws (E), Washers (M) and Drop-In Nuts (B) through Bracket (O).

Affix Bracket to top of the horizontal mounting post by sliding Drop-In Nuts (B) into slots.

Adjust bracket to desired location and tighten with provided Hex Key.

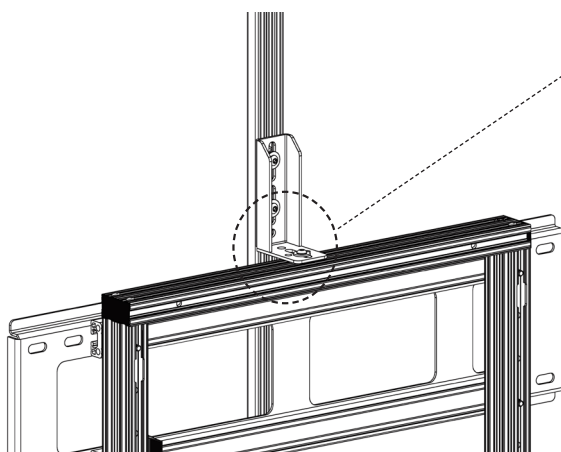
Verify that Drop-In Nuts catch extrusion.



B Install Mount

Insert 2 Flat Nuts (N) into Camera Mounting post.

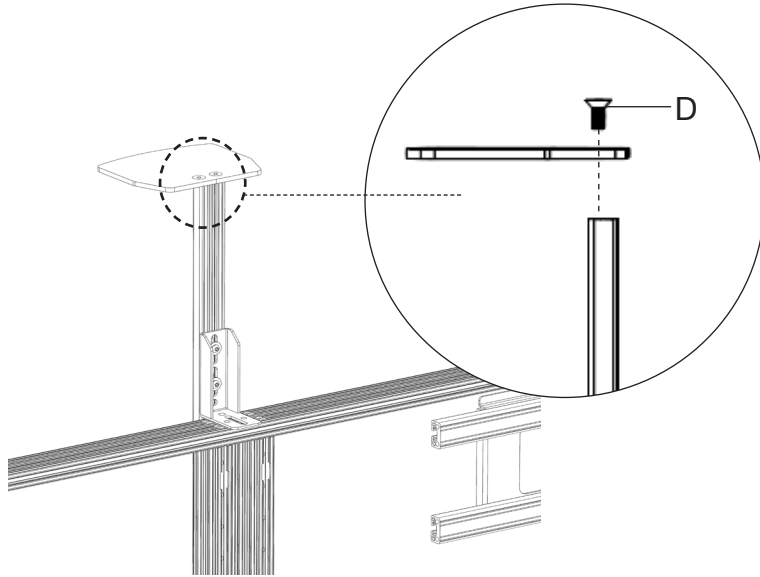
Insert Screw (C) and Washer (M) through the Bracket and tighten with Hex Key.



3. CAMERA SHELF (OPTIONAL)

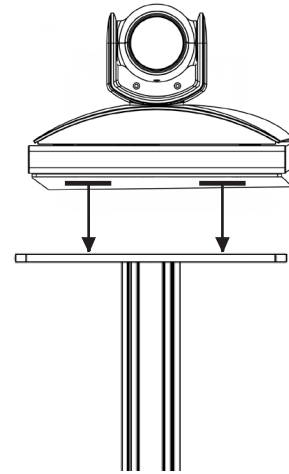
C Install Shelf

Install Camera Shelf to Mounting Post using 2 Screws (D).



D Place Camera

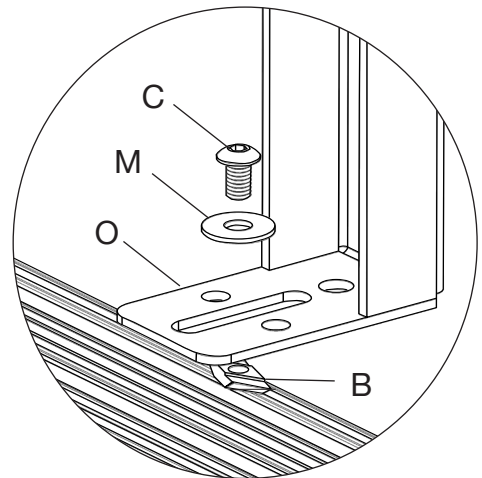
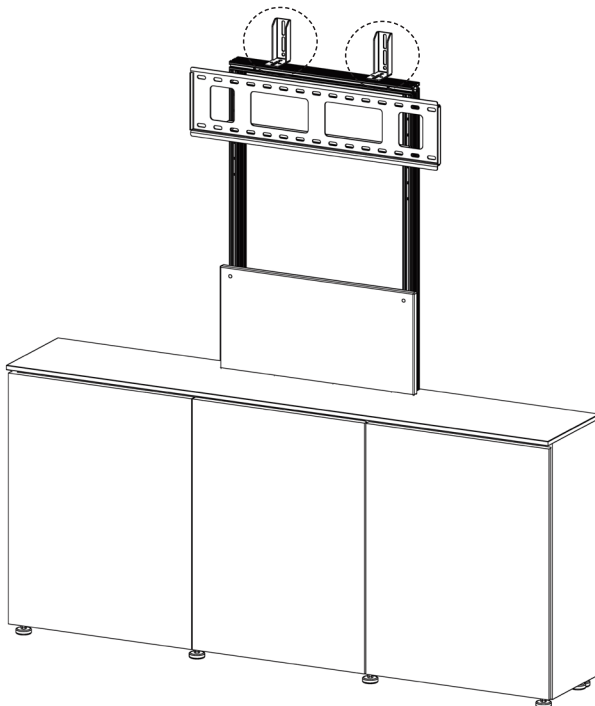
Use double side tape to secure camera from sliding off shelf.



4. INSTALL CABINET WALL BRACKETS



TIP HAZARD WARNING! Cabinet **MUST** be affixed to wall.



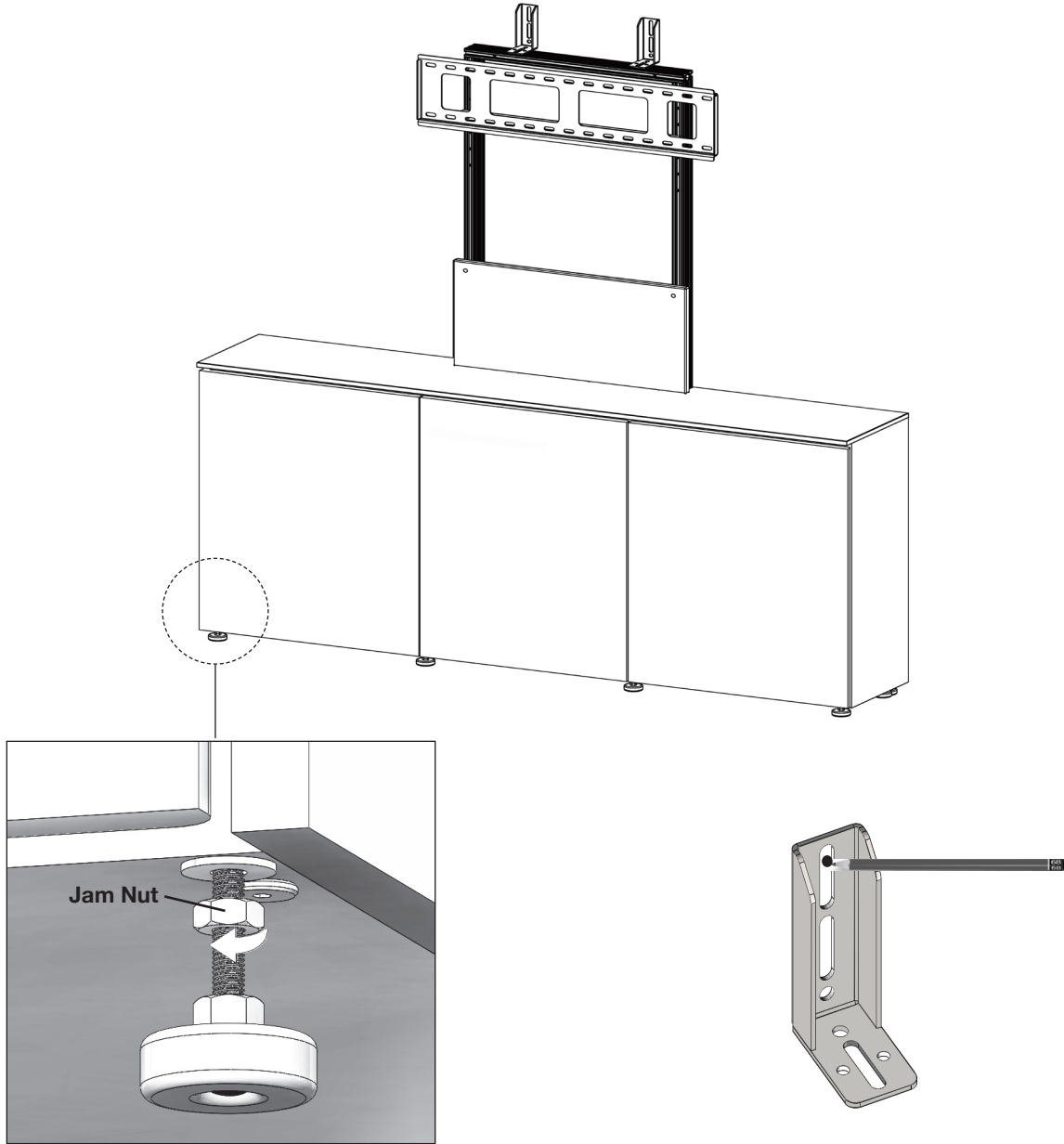
Loosely mount Bracket (O) using Screw (C), Washer (M) and Drop-In Nut (B).



WARNING! This step requires two people.

5. LEVEL CABINET & MARK WALL

Prior to fastening to wall, it is important to level the cabinet with the floor by verifying that feet are properly adjusted.



A Loosen jam nut with supplied wrench and tighten to the locked position.

B Place cabinet in desired location and mark bracket holes. Once holes have been marked move cabinet.

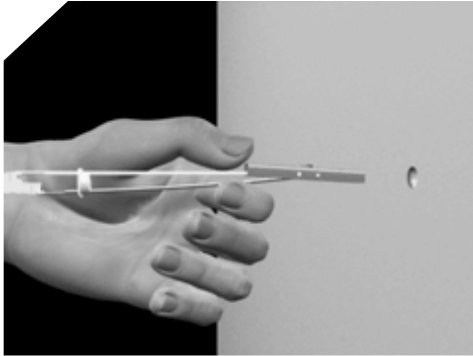
NOTE:

Adjustments has been provided in the bracket to mount the cabinet 0-1" of the wall to account for baseboard trim or other obstacles.

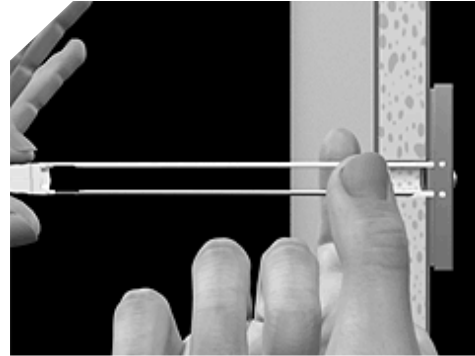
6. INSTALL WALL FASTENERS (MOST APPLICATIONS)

Install wall fasteners to marked location on wall & fasten cabinet.

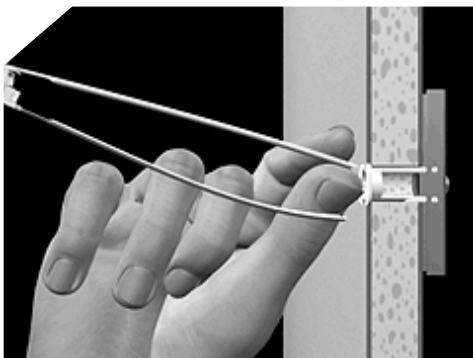
NOTE: Alternate fasteners (G & Q) provided for wood studs.



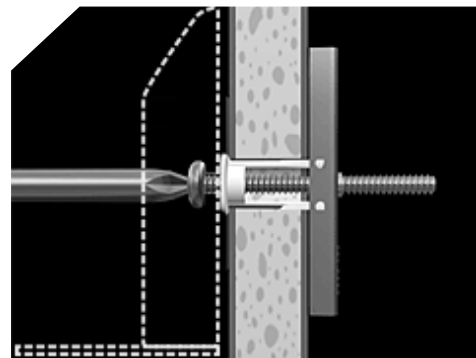
- A** Drill 1/2" diameter hole. Hold metal channel flat alongside plastic straps and slide channel through hole.



- B** Hold ends of straps between thumb and forefinger and pull toward you until channel rests flush behind wall. Slide plastic cap along straps with either hand with flange of cap is flush with wall.



- C** Snap straps at wall by pushing side to side, snapping of straps level with flange of cap.

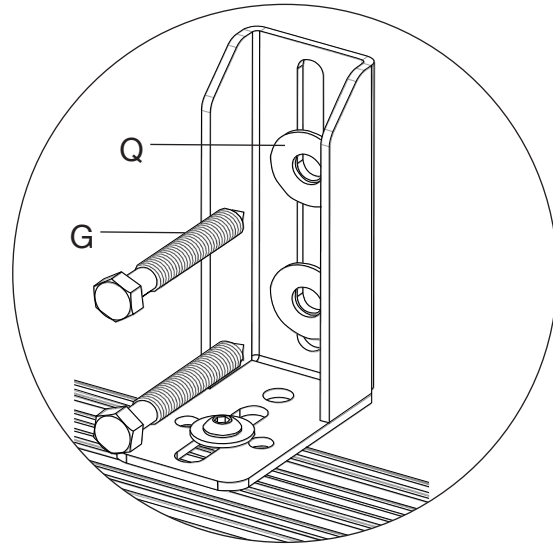
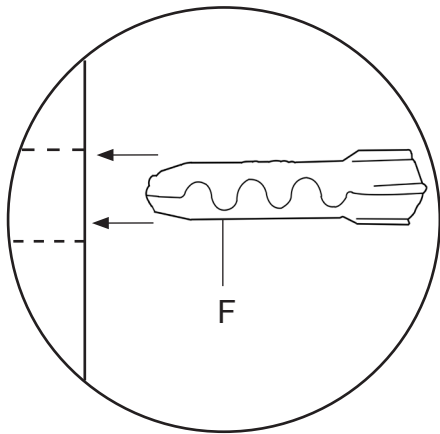


- D** Move cabinet to wall and attach bracket. Insert bolt through Bracket and tighten until snug against wall.

7. INSTALL WALL FASTENERS (ALTERNATE)

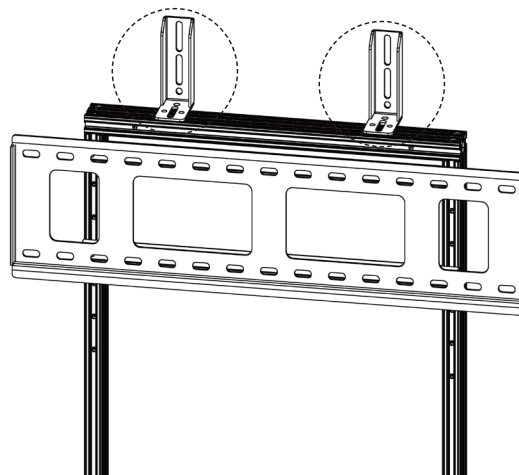
- A** **WOOD:** Locate two framing studs using a stud finder device.
MASONRY: Place brackets in desired location.

- B** Use a 3/16" [5mm] drill bit and drill holes 2.5" [64mm] deep.



- C** Insert wall anchors (F) into hole.

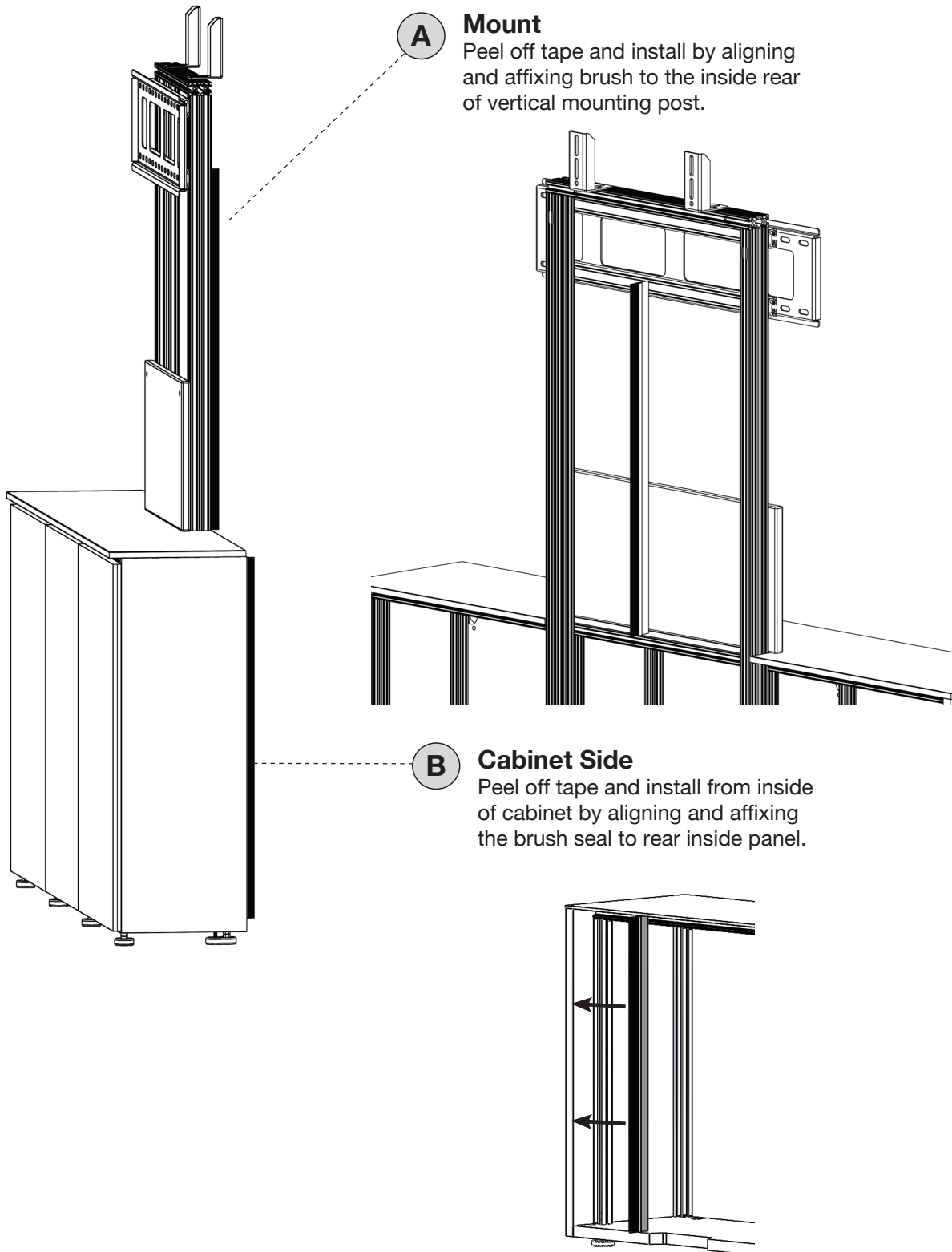
- D** Place cabinet in place and fasten with washers (Q) and Lag Bolts (G).



8. INSTALL BRUSH SEAL



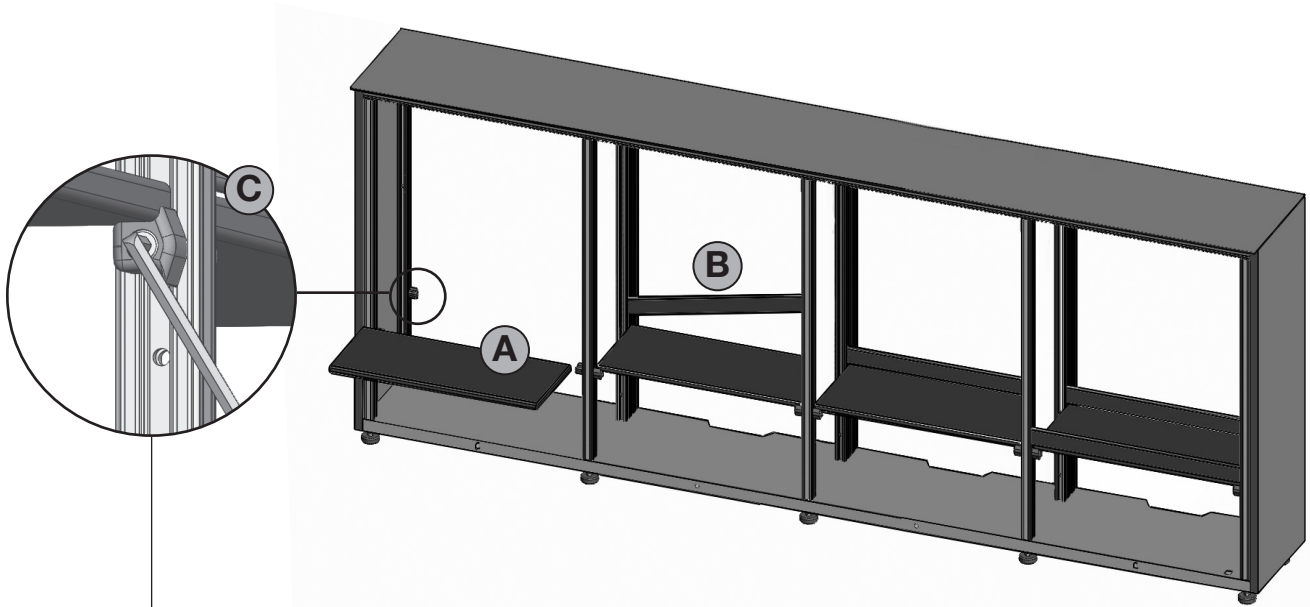
Use with baseboard molding, trim work or gaps in uneven wall surfaces.
Brush Seal Holders should stay flush to surface so that ONLY brush is showing.



9. INSTALL SHELVES

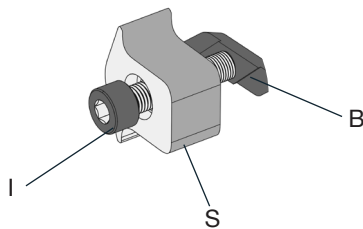
NOTE: Shelf pegs can be re-positioned if desired.

- A. Place shelves on pegs.
- B. Install shelf stops in front or back of shelf as desired.
- C. Shelf placement can be adjusted if necessary to either pre-drilled locations or any location using Drop-In Nuts (B) supplied.
- D. Install accessories (IR Repeater Kit, Power Conditioner, etc) and place components.

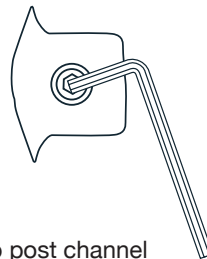


Drop-In Nut Option

Should you desire shelf placement in location other than predrilled locations, use the drop-in nut option. This option allows shelf to be placed at any height.

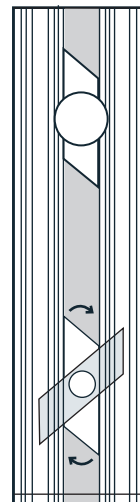


Assemble loosely as shown.



Insert into post channel and slide to desired height. Level shelf by adjusting shelf peg positions and tighten screw using hex key.

Note: Drop-in nut must make a 1/4 turn in post.





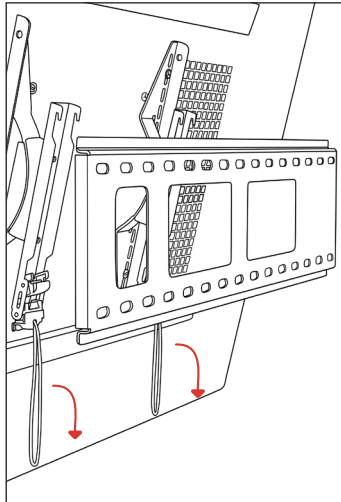
WARNING! This step requires two people.

10. INSTALL DISPLAY TO MOUNT

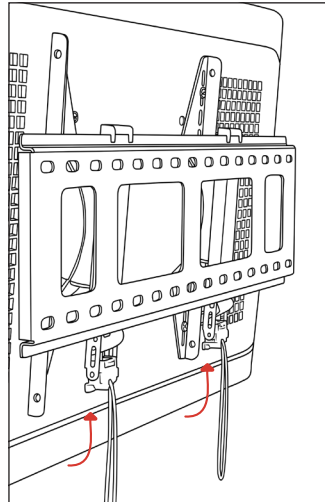
Lift display and place on Plano mounting bracket.

NOTE:

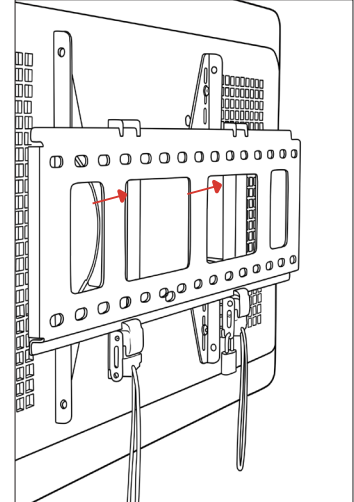
*Be sure that lip of screen brackets are aligned with the mounting bracket.
Failure to do so may result in injury or damage to product.*



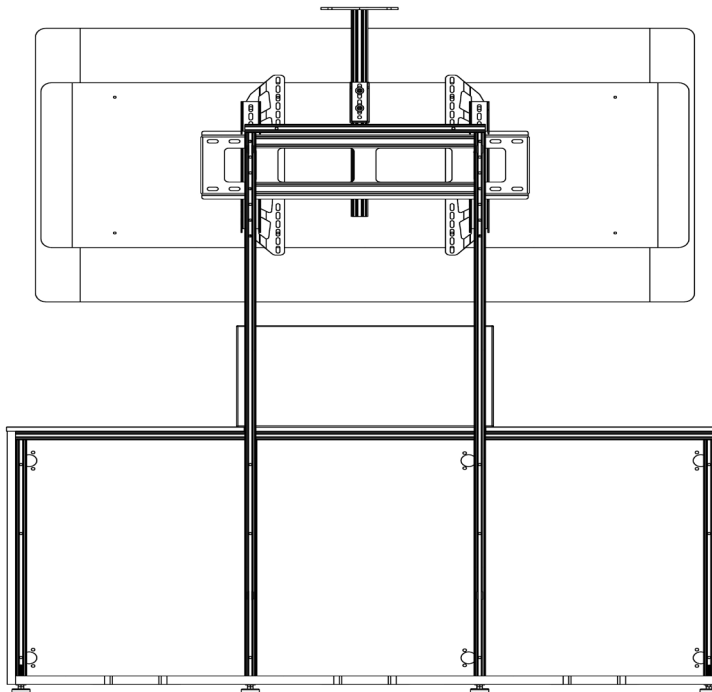
Pull on black cord to unlock Click Fasteners and hook TV Brackets onto Wall Bracket from top.



Center TV Brackets on Wall Bracket and push black Click Fasteners up into lock position.



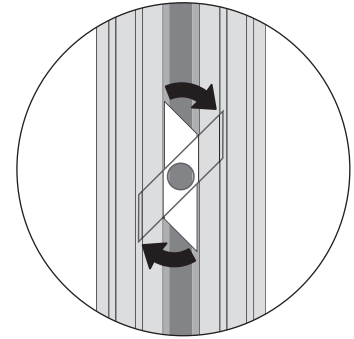
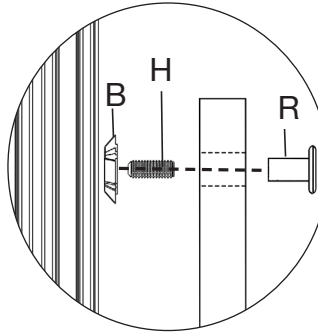
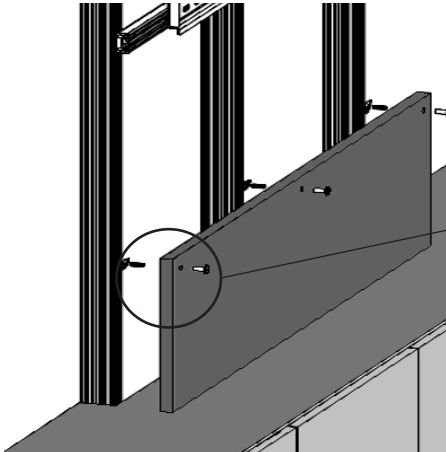
Install Pad Lock.



ADJUSTMENT TIPS

MODESTY PANEL Removing and Re-Installing

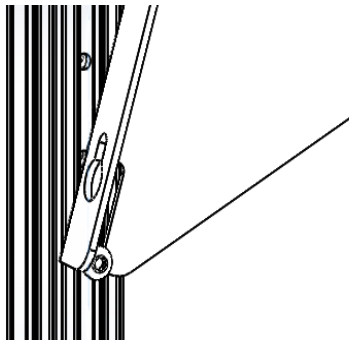
NOTE: Be sure bottom of modesty panel is flush to cabinets top.



A Loosely assemble Set Screw (H), JCN (R) and Drop-In Nut (B) through each hole in the panel.

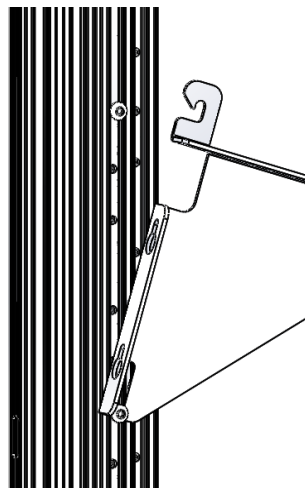
B Insert Drop-In Nut (B) into the slots of the vertical mounting post and using the provided Hex Key.

3U VERTICAL RACK



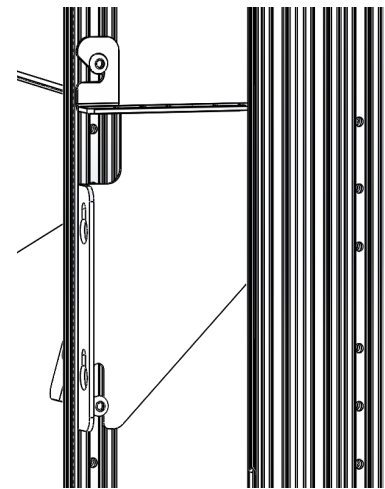
Remove

Loosen screws on both sides. Then tilt rack until the hook is free and lift up until the rack is free from bottom screw.



Re-Install

A Slide the slotted ends of the rack over the bottom screw and hook the top screw as shown.



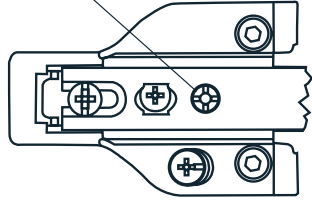
B Tighten with provided Hex Key.

ADJUSTMENT TIPS

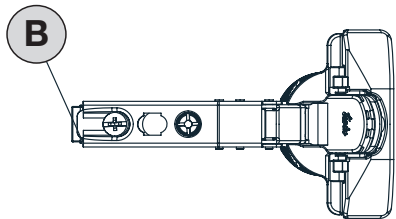
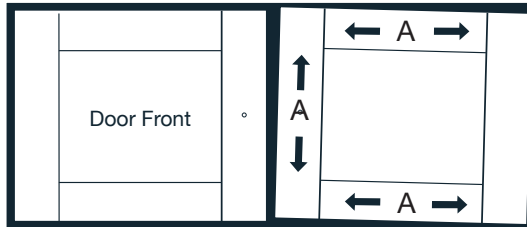
DOORS

NOTE: It is important that cabinet is level before adjusting doors, see step 5.

A **Main Adjustment (Side to Side and Up/Down)**
Adjustment is made by turning screw (A) in and out.



Adjust the tops of the doors to be parallel to the top of the cabinet.



Dismount Hinge from Hinge Plate
With one hand holding the door open, pull back on the hinge quick-release lever (B).



**SALAMANDER
DESIGNS**

Furniture Shaped By Your Needs ©

LIMITED WARRANTY FOR COMMERCIAL VIDEO DISPLAY STANDS AND MOUNTS

Salamander is proud to stand behind our products with industry-leading warranties. Should you ever encounter any problem with your Salamander product, let us know. We are here to make it right. 1.860.761.9500

Full warranty including limitations and warranty claim information may be found at www.salamanderdesigns.com/commercial/warranty

Made in USA