



# A900-GM

## Gripple Suspension Mount Kit for Ceiling Array Microphones

A900-GM Gripple Suspension Mount Kit user guide. Learn how to suspend Shure's MXA920 series microphones from the ceiling.  
Version: 0.2 (2022-D)

---

# Table of Contents

<b>A900-GM Gripple Suspension Mount Kit for Ceiling Array Microphones</b>	<b>3</b>	<b>Compatible Microphones</b>	<b>4</b>
<b>A900-GM Gripple Suspension Mount Kit</b>	<b>3</b>	<b>Suspending the Microphone with Gripple Connectors</b>	<b>4</b>
<b>What's in the Box</b>	<b>3</b>	<b>Contact Customer Support</b>	<b>5</b>
		<b>IMPORTANT SAFETY INSTRUCTIONS</b>	<b>6</b>

---

# A900-GM Gripple Suspension Mount Kit for Ceiling Array Micro- phones

---

## A900-GM Gripple Suspension Mount Kit

The A900-GM Gripple Suspension Mount Kit includes accessories to suspend MXA920 series microphones from the ceiling. Using the kit, you can suspend the microphone and easily adjust the length of the suspension cables. Hardware to attach the suspension cables to the ceiling is not included.

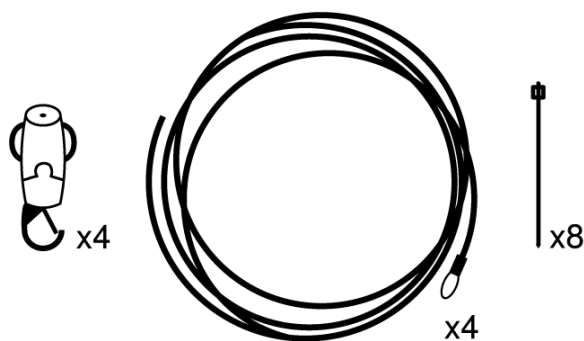
### Model Variations:

- A900-S-GM: Square Gripple Suspension Mount Kit
- A900B-R-GM: Round Gripple Suspension Mount Kit with black cover
- A900W-R-GM: Round Gripple Suspension Mount Kit with white cover

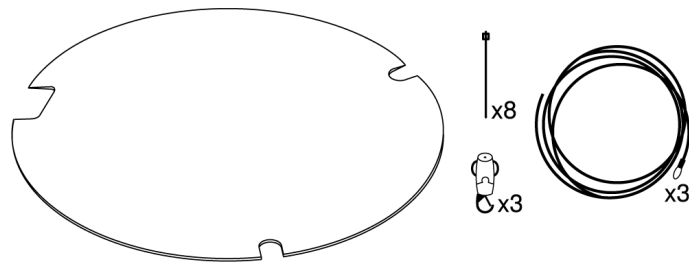
---

## What's in the Box

- A900-S-GM kit:
  - Gripple Angel Side Hook connectors (4)
  - 10 foot steel cables (4)
  - Cable ties (8)



- A900-R-GM kit:
  - Gripple Angel Side Hook connectors (3)
  - 10 foot steel cables (3)
  - Cable ties (8)
  - Back cover (white or black)



## Compatible Microphones

This accessory works with all MXA920 series microphones.

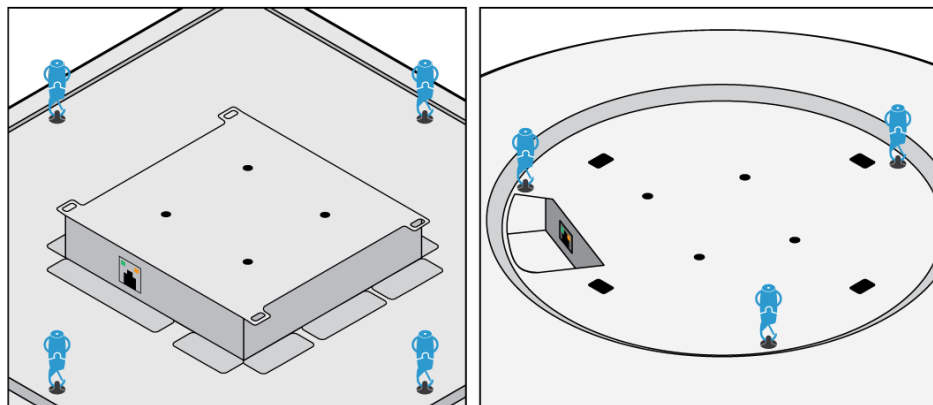
## Suspending the Microphone with Gripple Connectors

To get started, you will need:

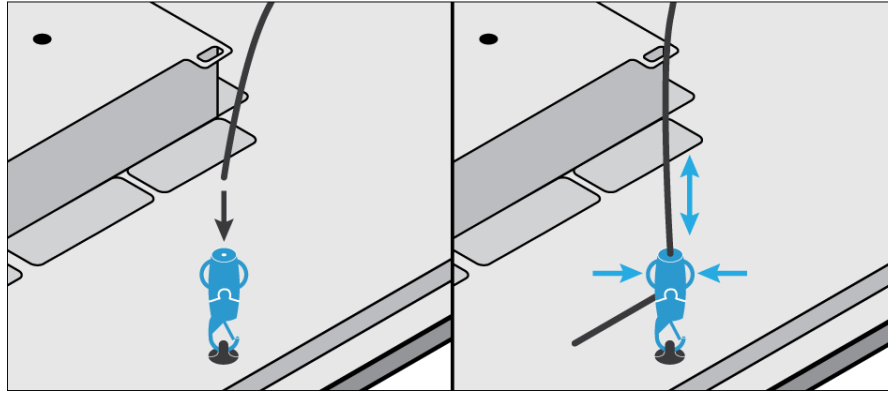
- A900-GM kit
- Hardware to attach cables to ceiling\*
- Ethernet cable\*

\* Not included

1. Attach all Gripple side hook connectors to eyelets (12 mm diameter) on the microphone.



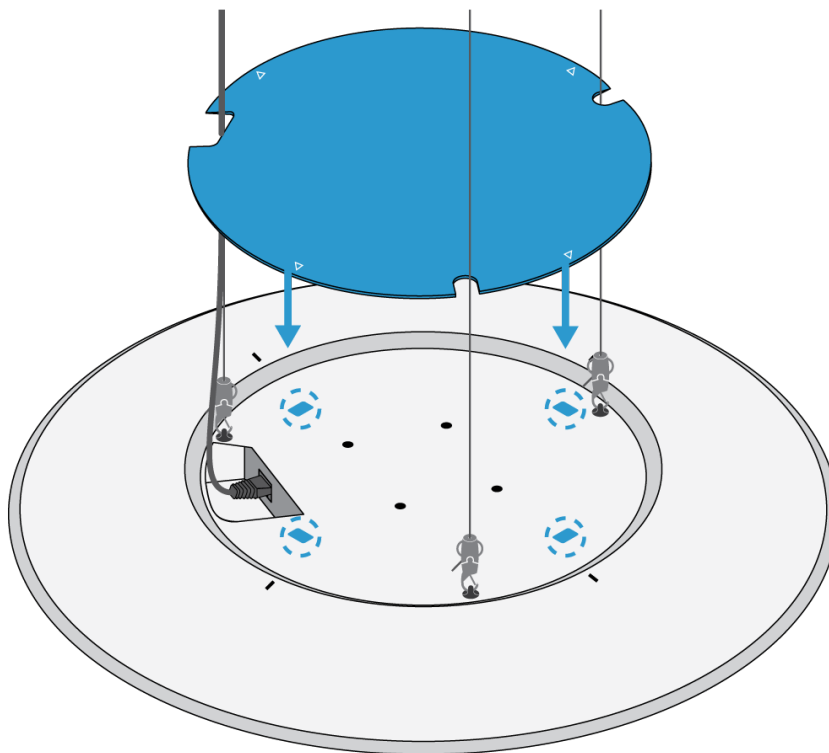
2. Thread the included steel cable through the connectors as shown. Squeeze the sides of the connector to adjust the cable's length.



*Gripple working load limit at vertical: 33 lbs (15 kg)*

3. Trim excess cable, leaving at least 1 inch (25 mm).
4. Mount the looped end of the cables on the ceiling using appropriate hardware.
5. Connect the Ethernet cable to the microphone. Use the cable ties to secure the Ethernet cable to the suspension cable.
6. **Round microphones:** Attach the back cover. The cover's 4 clips snap into the 4 square holes on the microphone.

**Tip:** To remove the cover, insert a credit card at the embossed triangles to release the clips.



## Contact Customer Support

Didn't find what you need? [Contact our customer support](#) to get help.

# IMPORTANT SAFETY INSTRUCTIONS

1. READ these instructions.
2. KEEP these instructions.
3. HEED all warnings.
4. FOLLOW all instructions.
5. DO NOT use this apparatus near water.
6. CLEAN ONLY with dry cloth.
7. DO NOT block any ventilation openings. Allow sufficient distances for adequate ventilation and install in accordance with the manufacturer's instructions.
8. DO NOT install near any heat sources such as open flames, radiators, heat registers, stoves, or other apparatus (including amplifiers) that produce heat. Do not place any open flame sources on the product.
9. DO NOT defeat the safety purpose of the polarized or grounding type plug. A polarized plug has two blades with one wider than the other. A grounding type plug has two blades and a third grounding prong. The wider blade or the third prong are provided for your safety. If the provided plug does not fit into your outlet, consult an electrician for replacement of the obsolete outlet.
10. PROTECT the power cord from being walked on or pinched, particularly at plugs, convenience receptacles, and the point where they exit from the apparatus.
11. ONLY USE attachments/accessories specified by the manufacturer.
12. USE only with a cart, stand, tripod, bracket, or table specified by the manufacturer, or sold with the apparatus. When a cart is used, use caution when moving the cart/apparatus combination to avoid injury from tip-over.



13. UNPLUG this apparatus during lightning storms or when unused for long periods of time.
14. REFER all servicing to qualified service personnel. Servicing is required when the apparatus has been damaged in any way, such as power supply cord or plug is damaged, liquid has been spilled or objects have fallen into the apparatus, the apparatus has been exposed to rain or moisture, does not operate normally, or has been dropped.
15. DO NOT expose the apparatus to dripping and splashing. DO NOT put objects filled with liquids, such as vases, on the apparatus.
16. The MAINS plug or an appliance coupler shall remain readily operable.
17. The airborne noise of the Apparatus does not exceed 70dB (A).
18. Apparatus with CLASS I construction shall be connected to a MAINS socket outlet with a protective earthing connection.
19. To reduce the risk of fire or electric shock, do not expose this apparatus to rain or moisture.
20. Do not attempt to modify this product. Doing so could result in personal injury and/or product failure.
21. Operate this product within its specified operating temperature range.

	This symbol indicates that dangerous voltage constituting a risk of electric shock is present within this unit.
	This symbol indicates that there are important operating and maintenance instructions in the literature accompanying this unit.