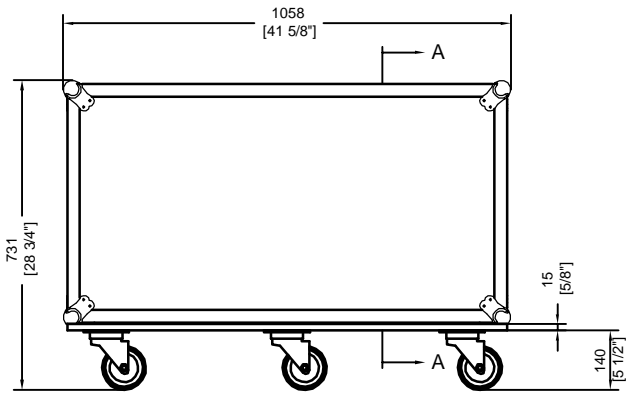
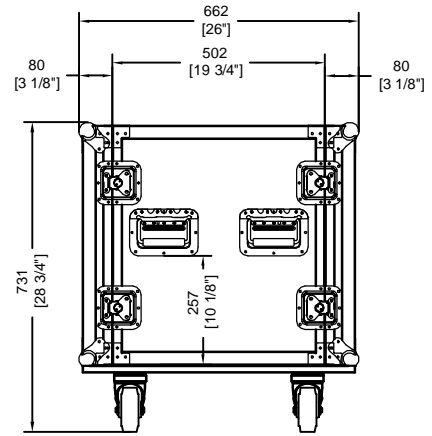


RRD12UADC

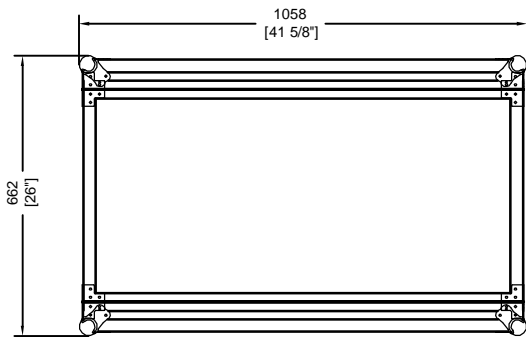


FRONT VIEW
BACK VIEW

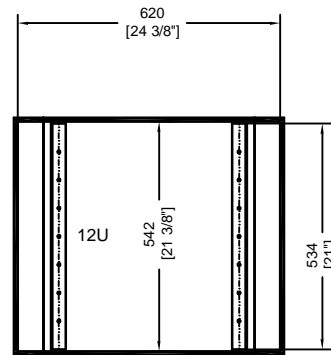


SIDE VIEW

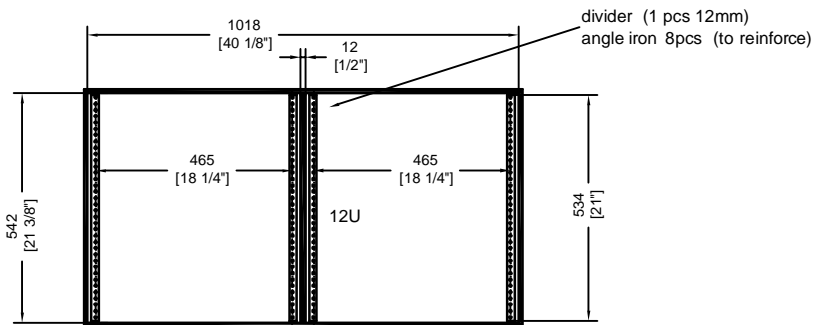
3.5" PU wheel both caster and caster board could be reinforced by metal plate ©
(with brakes on the front and the back)



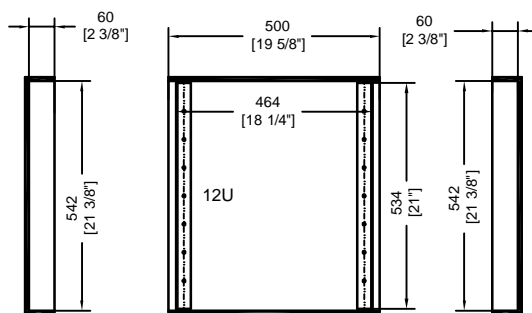
TOP VIEW



CUTAWAY VIEW



CUTAWAY VIEW



A-A VIEW